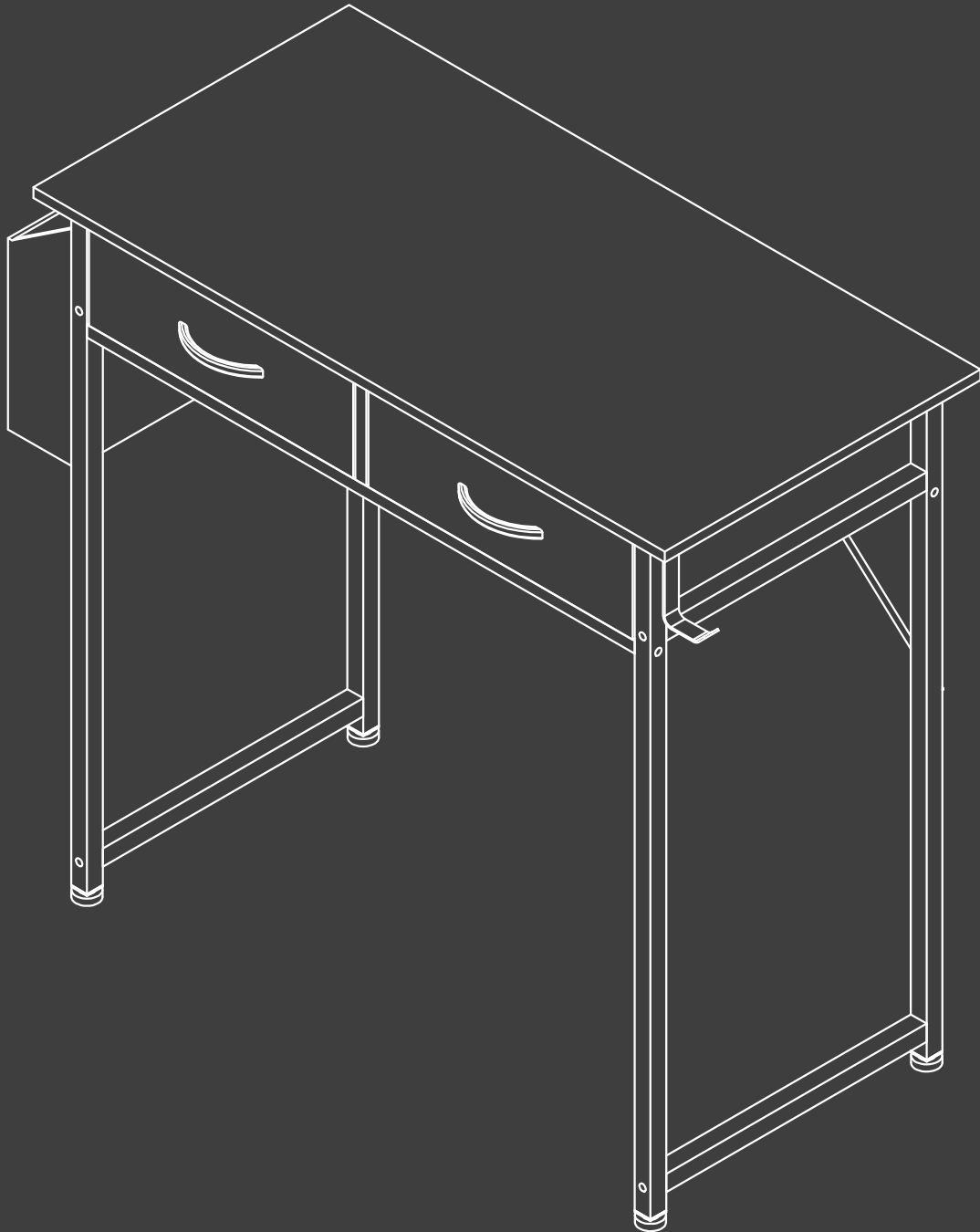
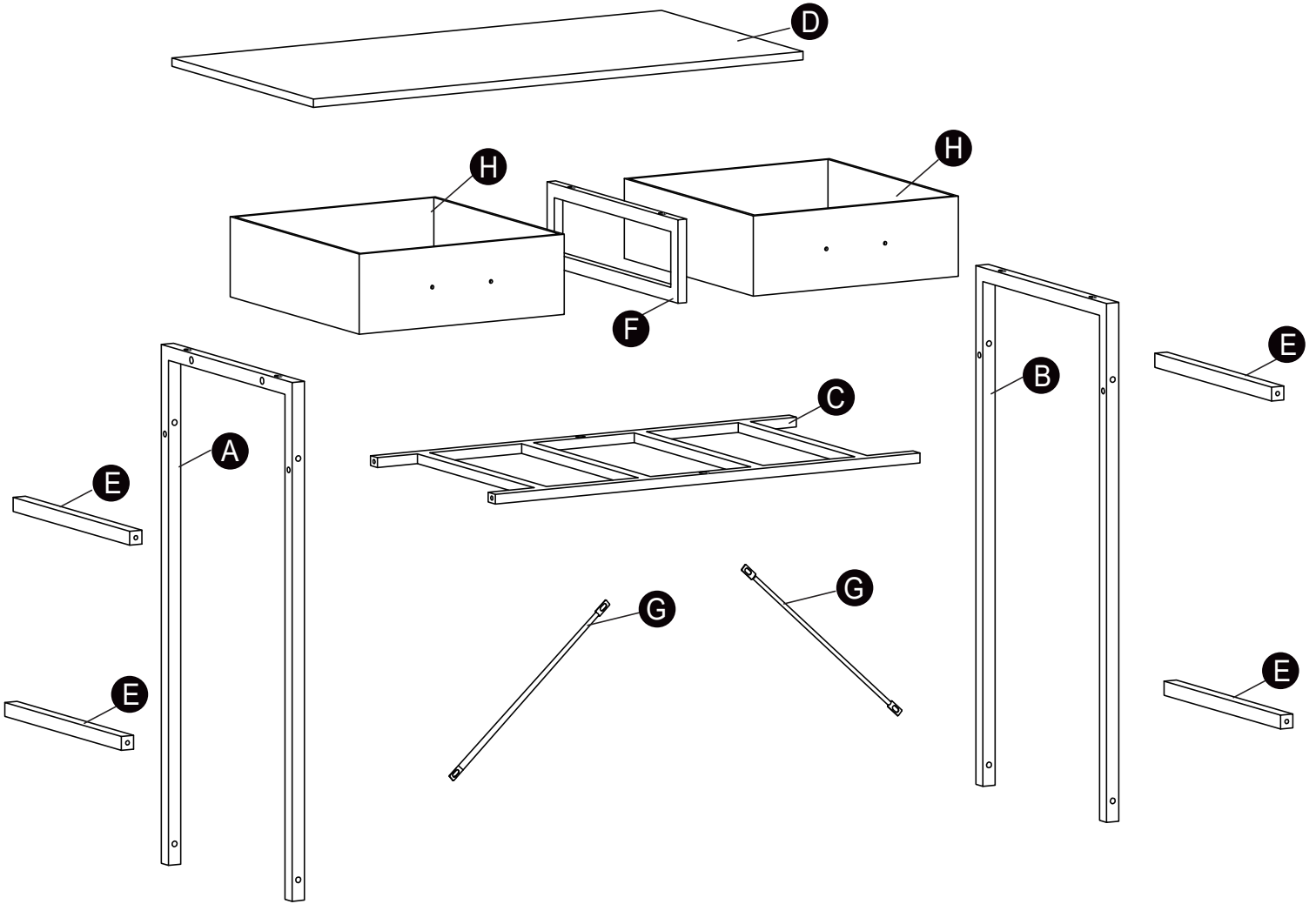


Home Office Desk

Instruction Manual

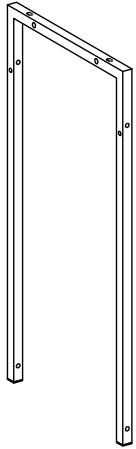
D-2CZ-32IN



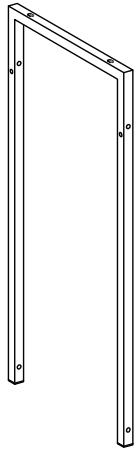


1 Package List

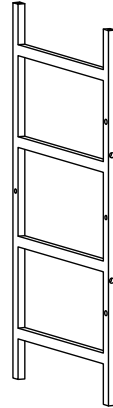
A X1



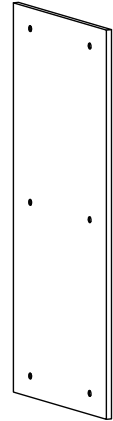
B X1



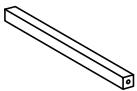
C X1



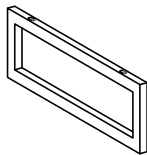
D X1



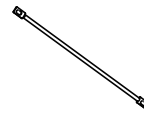
E X4



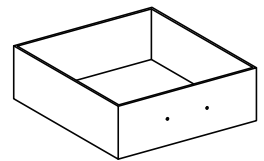
F X1



G X2

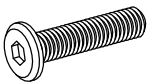


H X2



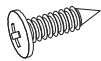
2 Supplied Parts and Hardware

1 X21



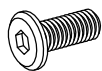
M6x28mm

2 X5



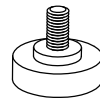
M4x8mm

3 X10



M6x12mm

4 X5

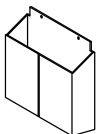


M6

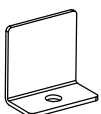
5 X3



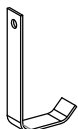
6 X1



7 X2



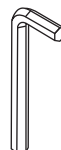
8 X1



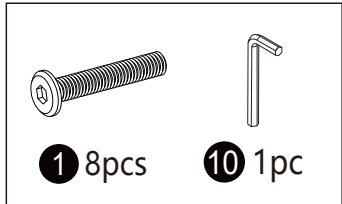
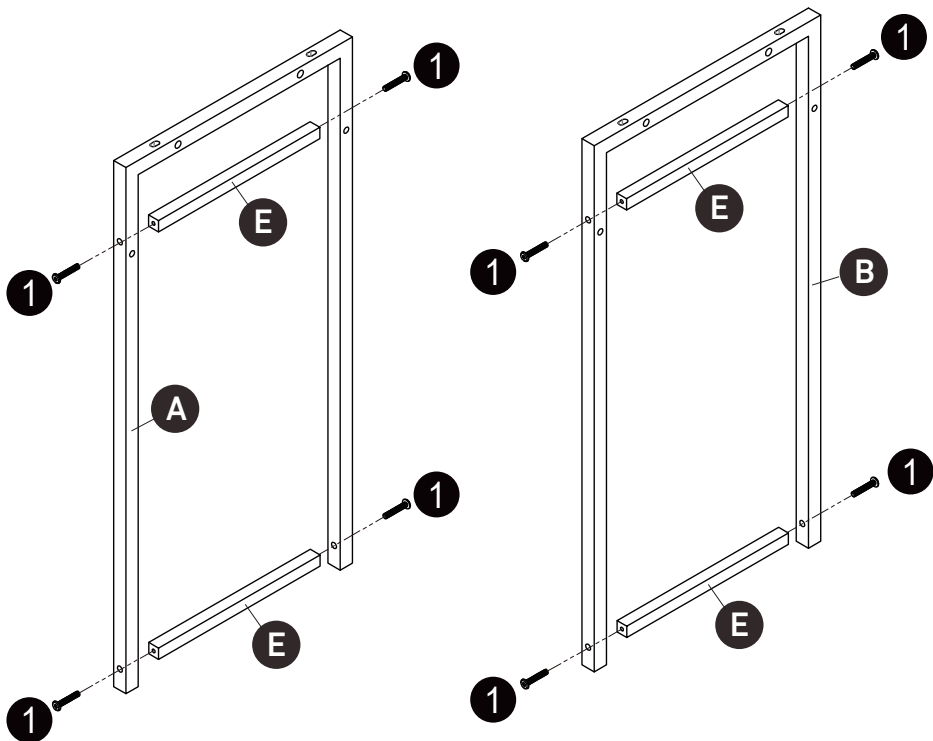
9 X1



10 X2

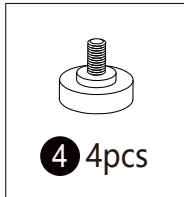
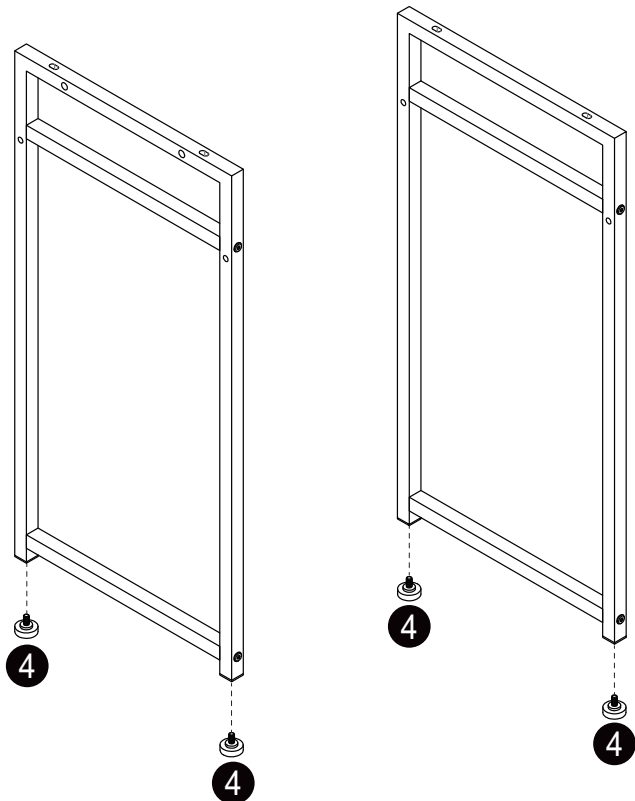


Step 1



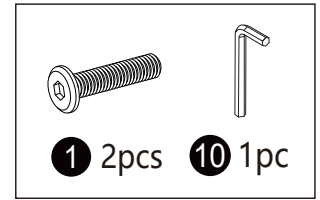
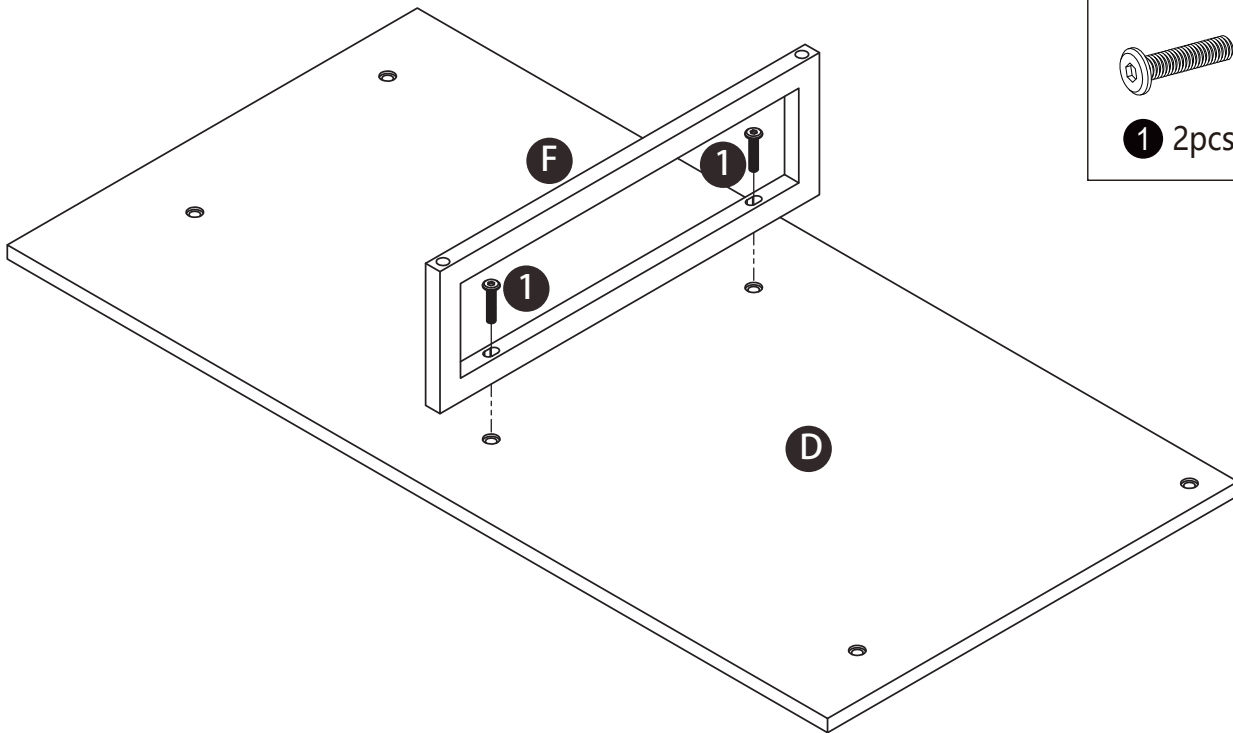
NOTE: DO NOT tighten the bolts.

Step 2



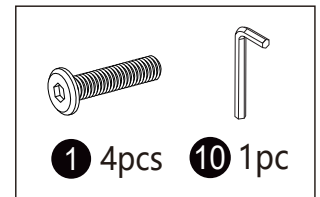
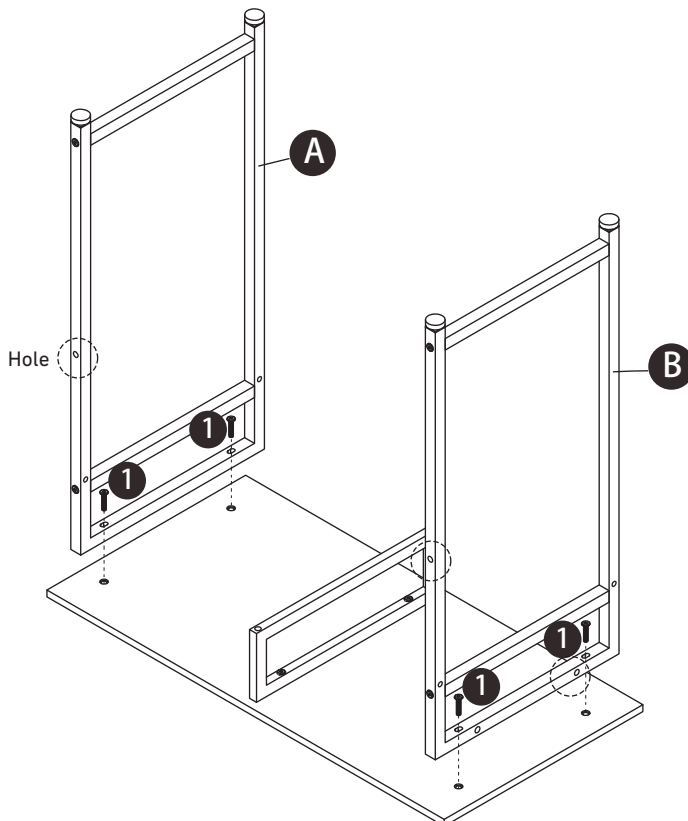
NOTE: DO NOT tighten the bolts.

Step 3



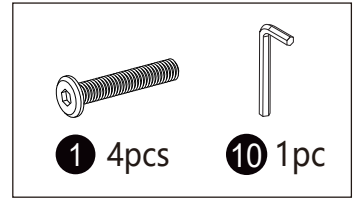
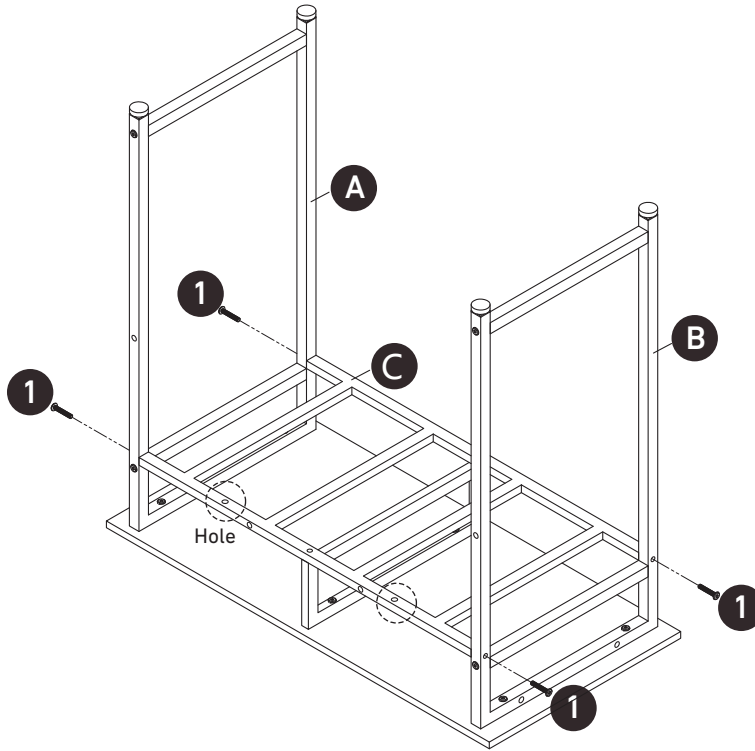
NOTE: DO NOT tighten the bolts.

Step 4



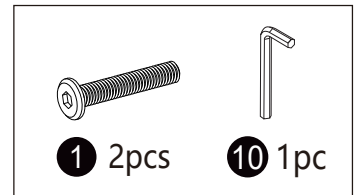
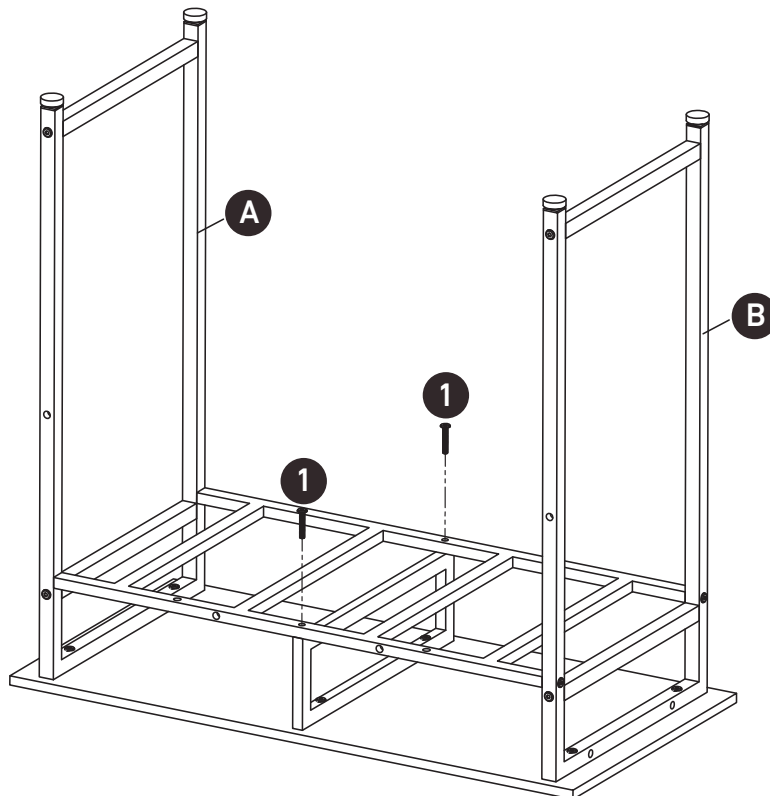
NOTE: DO NOT tighten the bolts.

Step 5



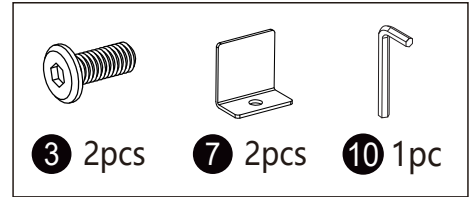
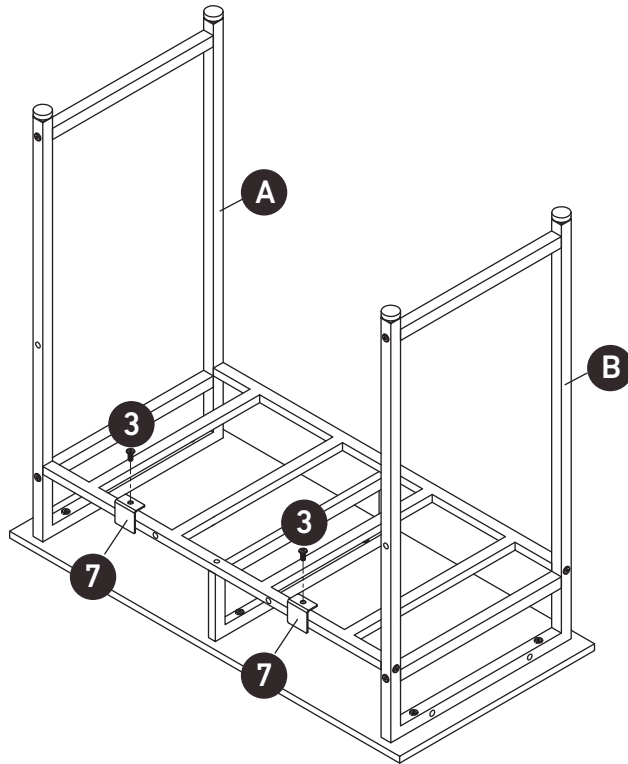
NOTE: DO NOT tighten the bolts.

Step 6



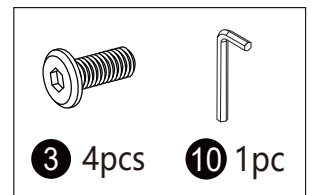
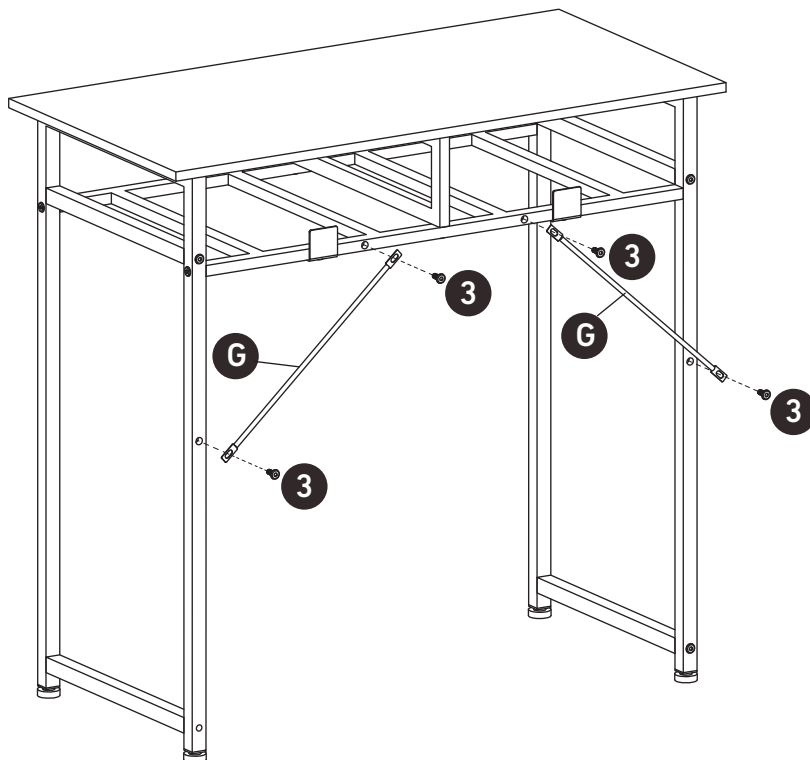
NOTE: DO NOT tighten the bolts.

Step 7



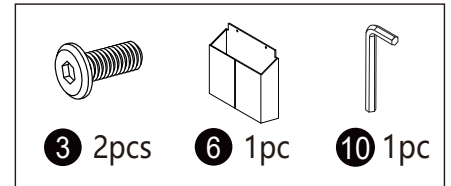
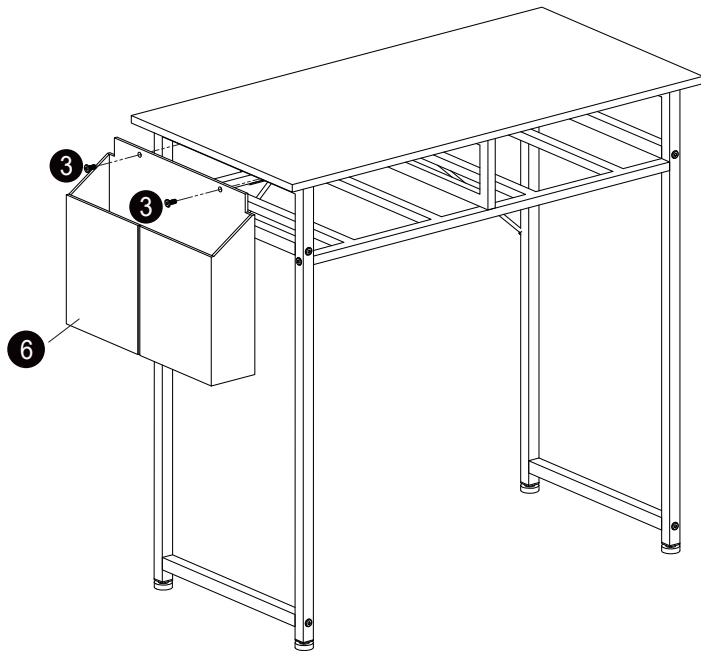
NOTE: DO NOT tighten the bolts.

Step 8



NOTE: DO NOT tighten the bolts.

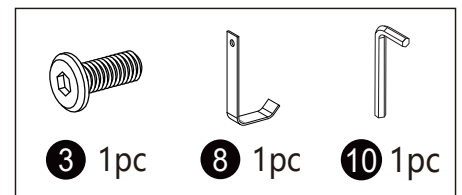
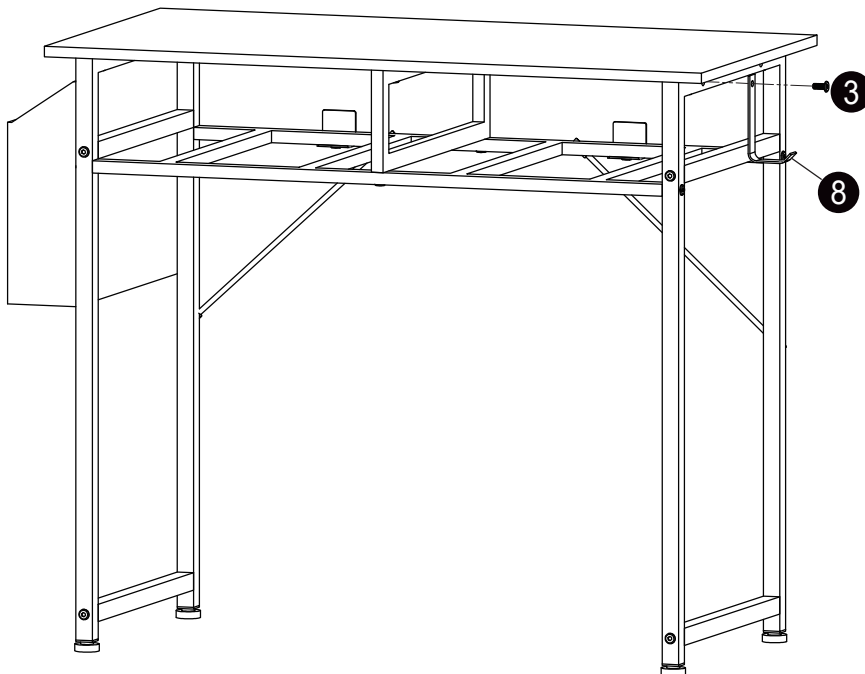
Step 9



Components **6** can be fitted on both sides and the user can choose the position as required. The illustration shows the left side installation.

NOTE: DO NOT tighten the bolts.

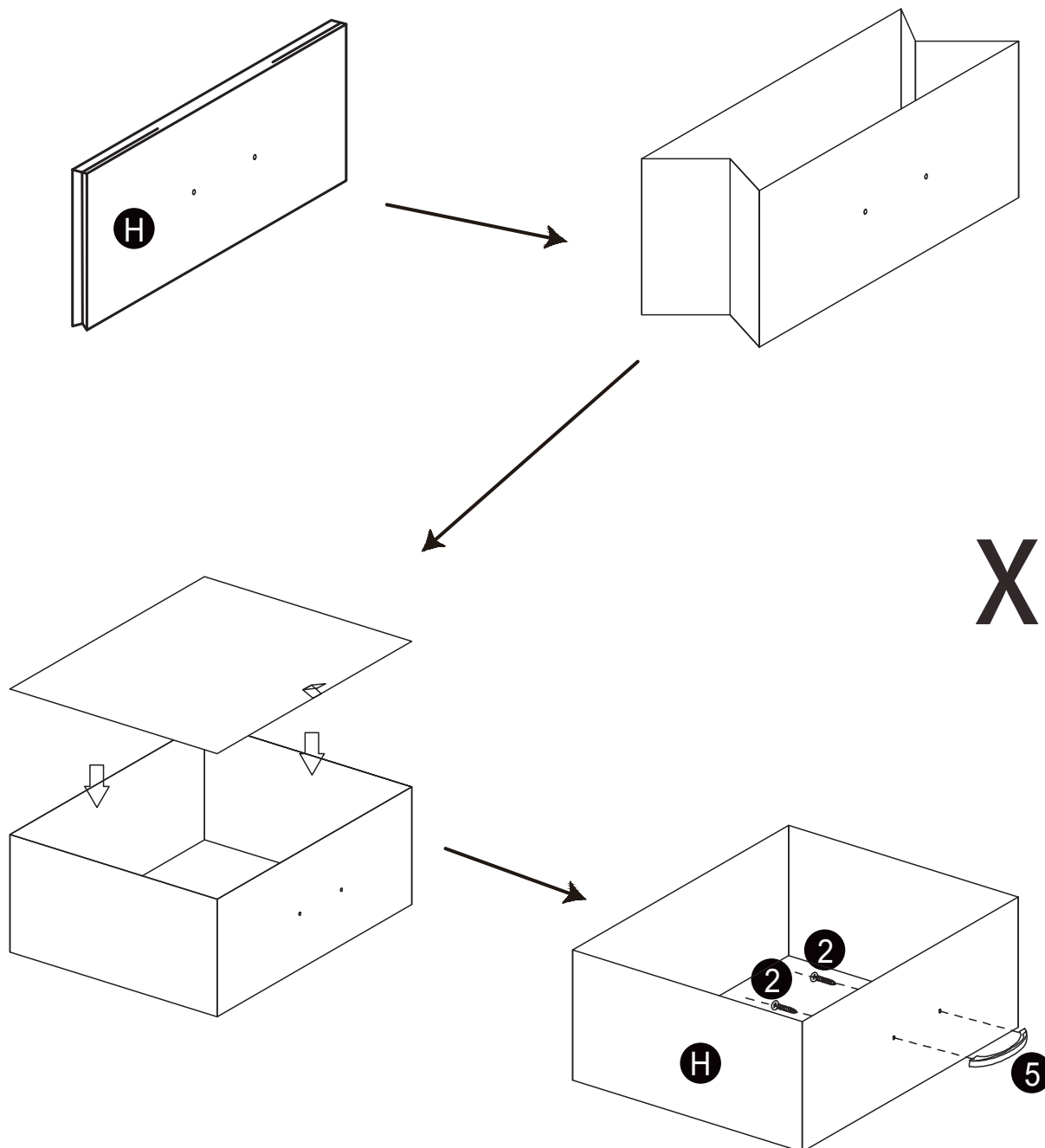
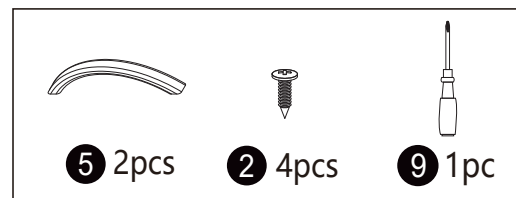
Step 10



Fitted in the forward position.

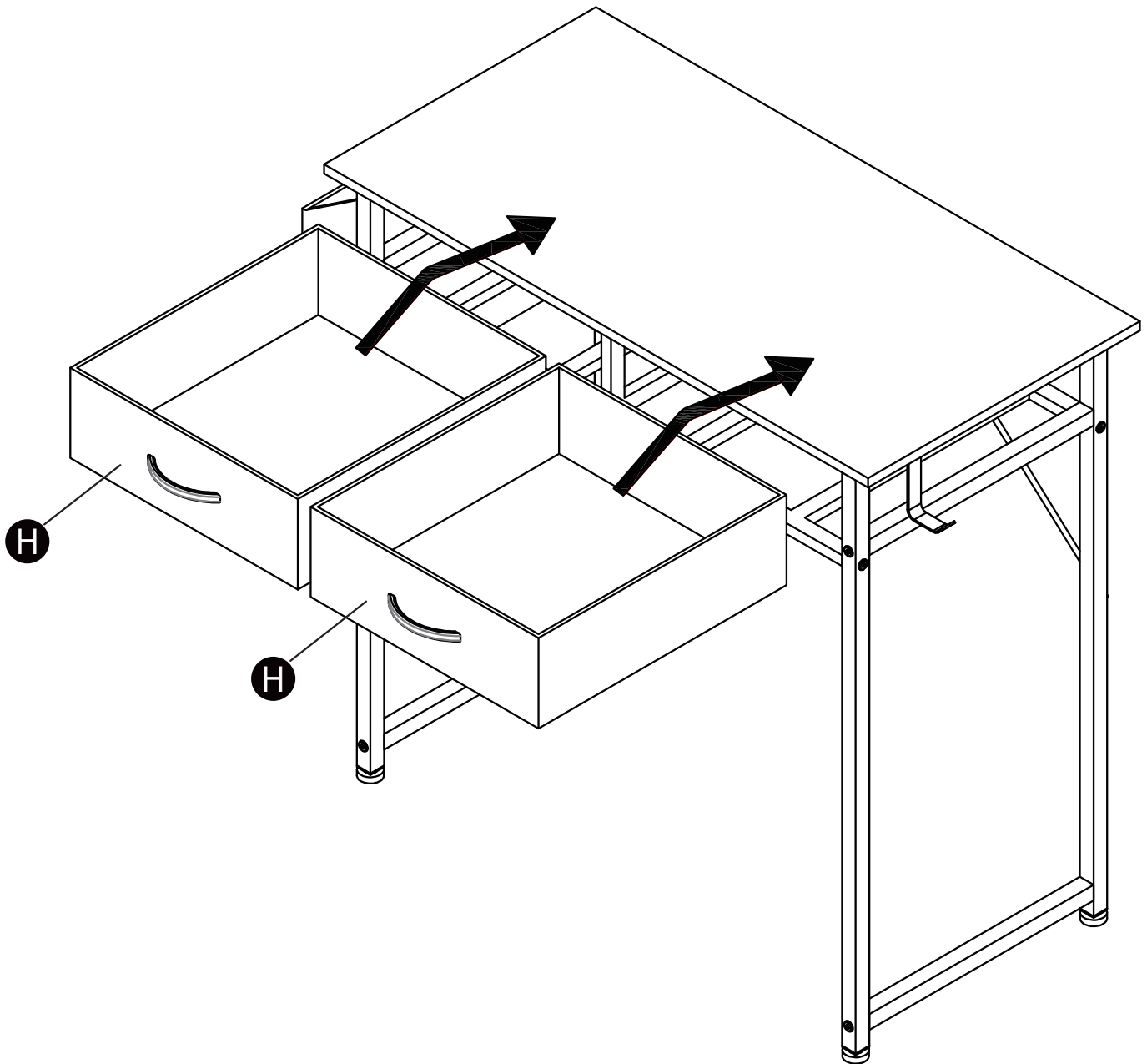
NOTE: DO NOT tighten the bolts.

Step 11



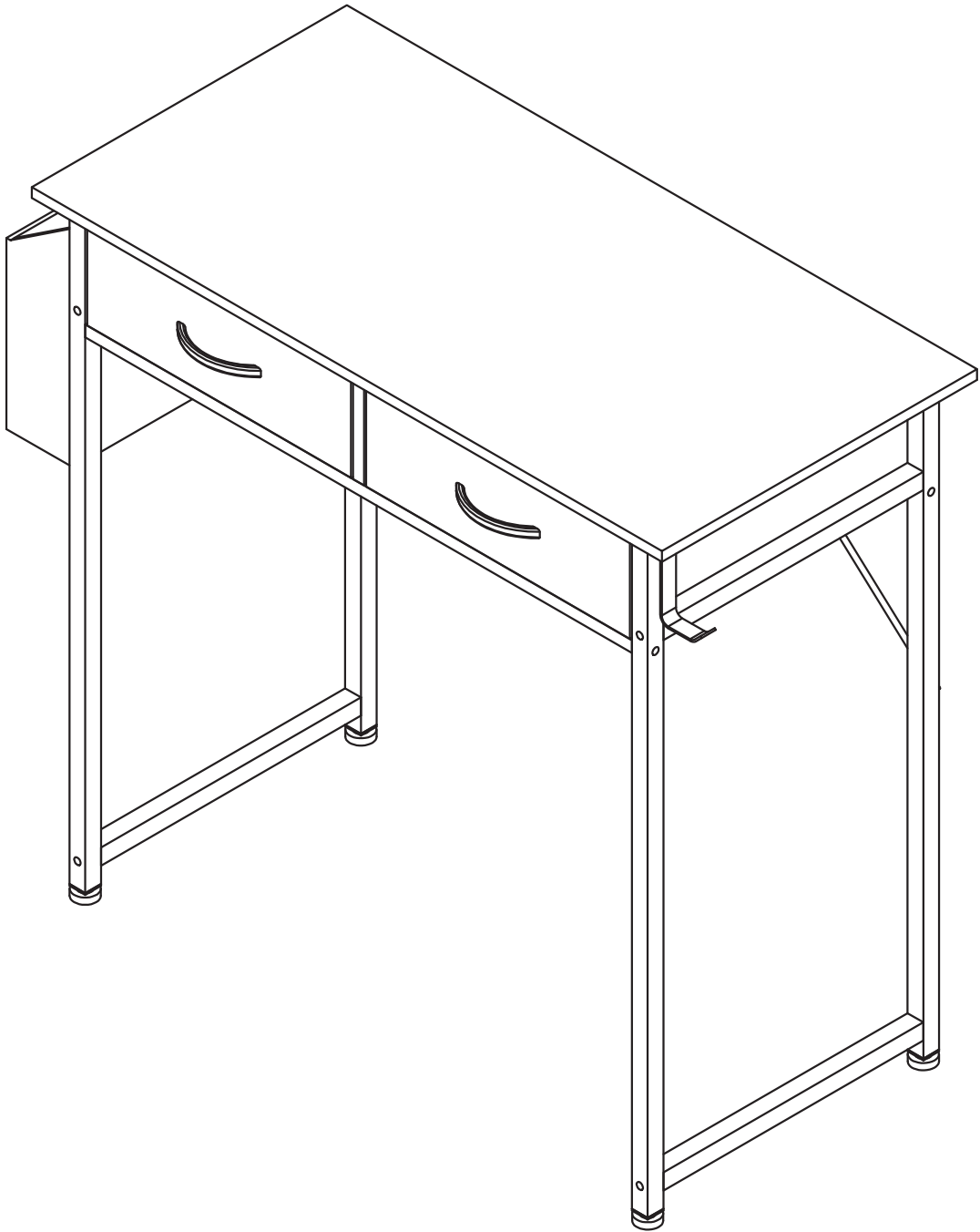
NOTE: DO NOT tighten the bolts.

Step 12



After all screws are tightened, if the table wobbles, use part 4 to adjust for leveling.

NOTE: Tighten all the bolts !



Thank you for choosing this product. We strive to provide you with the best quality products and services in the industry. Should you have any issues, please don't hesitate to contact us.