

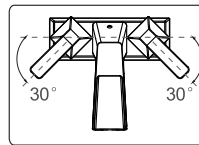
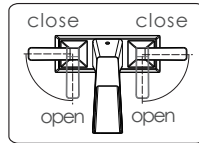
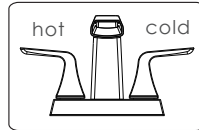
Models:	Finish:
· 26451	· Brushed Nickel
· 28801	· Matte Black
· 22231	· Brushed Gold
· 26811	· Oil Rubbed Bronze

BEFORE INSTALLATION

- To insure proper installation, please read the following instructions carefully.
- Please make sure that the water supply has been shut off at the stop valve.
- NEWATER reserves the right to update product without notice.

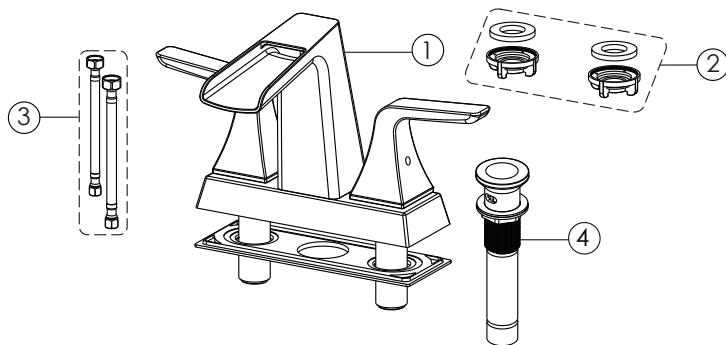
Application Instruction

1. Gradually pull the handle, it will be more advangeous to ptoctect the cartridge.
2. Contrarotate the left handle is for hot water, the greater angle you open, the larger flowrate you get. Conversely the smaller angle you open, the little flowrate you get till turn off. Clockwise rotation the right handle is for hot water, the greater angle you open, the larger flowrate you get. Conversely the smaller angle you open, the little flowrate you get till turn off.



NOTICE: In order to have the perfect condition of the water flow, please turn both handles to 30 degree angle slowly so that the air inside the tubes can be clean when you use this product at the 1st time.

Standard Part List



NO.	Part Name	Quantity
1	Body Assy	1
2	Fitting Assy	1
3	Hose	2
4	Pop-up	1

Installation Steps

1 Installation Requirements

1. Please confirm the two holes on the basin are through holes as shown from the instructions before install. First, remove all fixing sets from the (2) fixed group, and then put the (1) body through the hole on the basin, assemble all (2) fixing sets to the (1) body.

2

2. Use hand to screw up the (2) locknut.

3

3. Connect the (3) inlet hose as shown, take note of the "Red" & "Blue" index from the handle, "Red" for connecting to the valve for supply hot water, and "Blue" for connecting to the valve for supply cold water.

4

4. Install the (4) pop-up.

· Every once in a while, please rinse the faucet with lukewarm soapwater, and wipe it clean with a soft duster cloth. Please avoid any abrasive cleaners, steel wools, or corrosive chemicals.