

Home Care Technical Specification

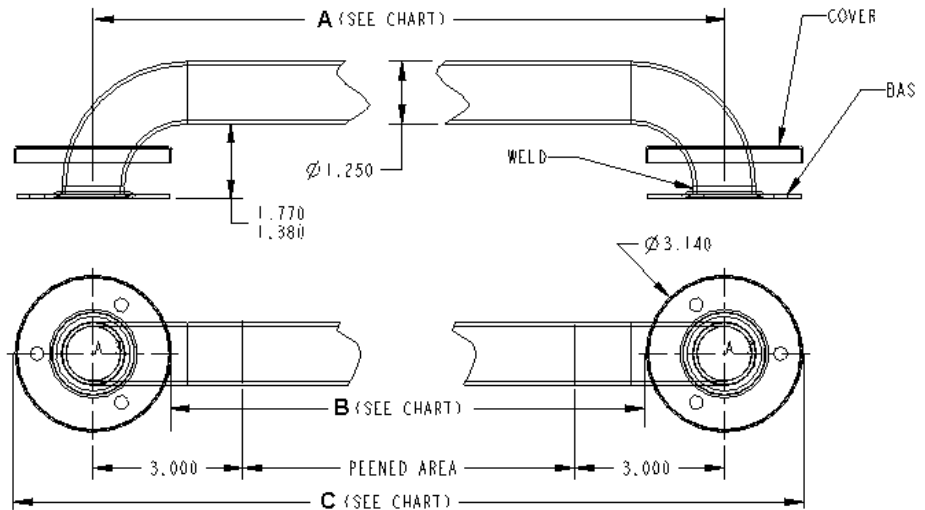
1 1/4" Peened Grab Bar – Concealed Screw

R8700

Stock Numbers:

- q **R8712P – 12" Grab Bar**
Stainless Steel Peened Finish
Concealed Screw Mounting
1 1/4" Diameter Bar
- q **R8718P – 18" Grab Bar**
Stainless Steel Peened Finish
Concealed Screw Mounting
1 1/4" Diameter Bar
- q **R8724P – 24" Grab Bar**
Stainless Steel Peened Finish
Concealed Screw Mounting
1 1/4" Diameter Bar
- q **R8730P – 30" Grab Bar**
Stainless Steel Peened Finish
Concealed Screw Mounting
1 1/4" Diameter Bar
- q **R8736P – 36" Grab Bar**
Stainless Steel Peened Finish
Concealed Screw Mounting
1 1/4" Diameter Bar
- q **R8742P – 42" Grab Bar**
Stainless Steel Peened Finish
Concealed Screw Mounting
1 1/4" Diameter Bar
- q **R8748P – 48" Grab Bar**
Stainless Steel Peened Finish
Concealed Screw Mounting
1 1/4" Diameter Bar

Dimensions:



	A	B	C
R8712P	12.00	8.86	15.14
R8718P	18.00	14.86	21.14
R8724P	24.00	20.86	27.14
R8730P	30.00	26.86	33.14
R8736P	36.00	32.86	39.14
R8742P	42.00	38.86	45.14
R8748P	48.00	44.86	51.14

Materials:

Peened grab bar rods are formed from 18-gauge (.049) type 304 stainless steel tubing with a satin finish.

Compliance:

- ADA Compliant
- Tested to 300 lbs. pull

Installation Instructions:

1. All screws must mount firmly into a wood stud.
2. Place the grab bar on the wall in the desired location. Use a level, if desired, to verify placement.
3. With a pencil, lightly mark the (6) mounting hole locations.
4. Mounting unit on wall using the #10 2" screws (provided).
5. Snap flange covers into place.

Stock Number: _____ Grab Bar
By Creative Specialties



25300 AL MOEN DRIVE • NORTH OLMS TED, OH 44070
CORPORATE HEADQUARTERS: (800) 321-8809 • FAX: (800) 848-6636
INTERNATIONAL: (440) 962-2000 • FAX: (440) 962-2726
CUSTOMER SERVICE (USA): 800-882-0116 • FAX: (888) 379-2720
WWW.SHOWHOUSE.MOEN.COM

©Copyright Creative Specialties International