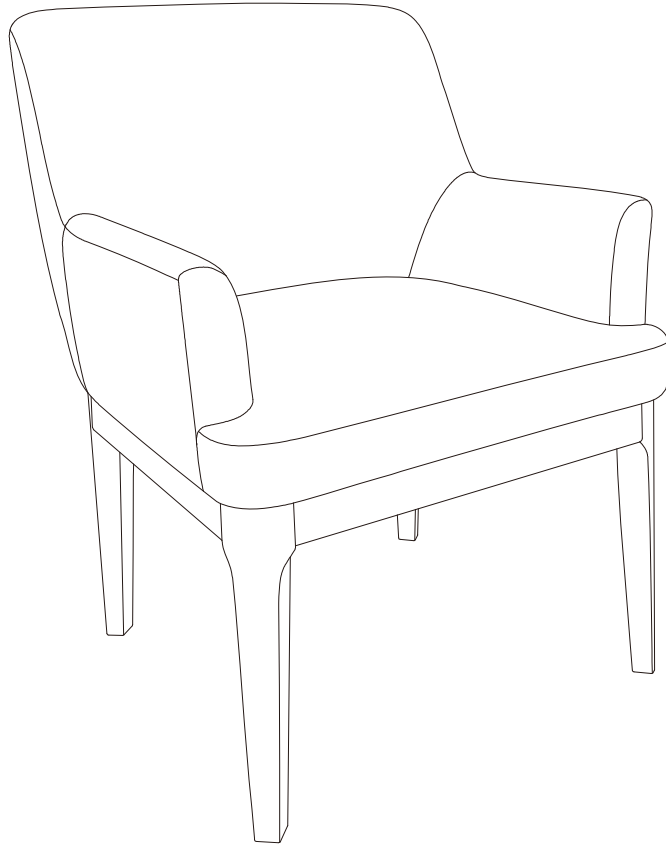


Owner Manual

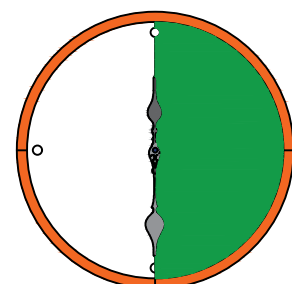
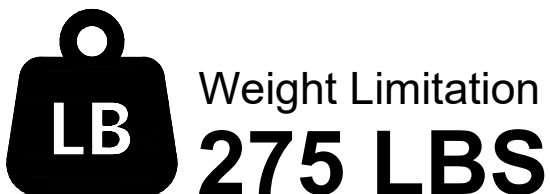


NOTE:

This brochure contains **IMPORTANT** safety info. Please read and keep for future reference.

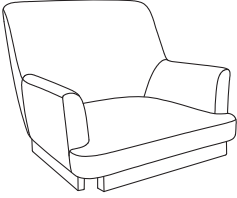
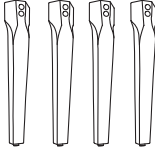
MAINTENANCE AND WARNING

- 1.Keep furniture away from heat sources.
- 2.Do not clean furniture with harsh cleaner or polishes.Do not use detergents,solvents,abrasives,spray packs or leather cleaner. Use non-color mild soa with warm water to clean spills(Mix 1:10 soap to water).
- 3.Do not place furniture under direct sunlight,material will possibly fade over time.
- 4.Do not use on site dry cleaning machine.Children should not climb or jump on the furniture.
- 5.Do not write on furniture that is not protectedby a padded barrier.
- 6.Not for commercial use,only for residential use.



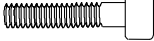


Around 30 min


PARTS LIST

A	x1	B	x1
			

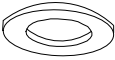


HARDWARE LIST

#1	x8	#2	x8	#3	x8
					
M8		M8		M8x60mm	

TOOL LIST

#4	x1
	
M8	

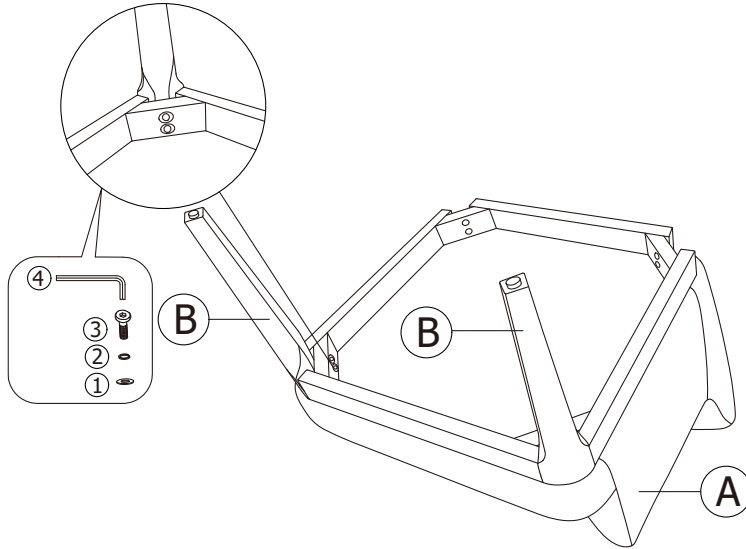
HARDWARE SPARE LIST




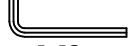
#1	x1	#2	x1	#3	x1
					
M8		M8		M8x60mm	

ASSEMBLY INSTRUCTIONS

STEP- 1

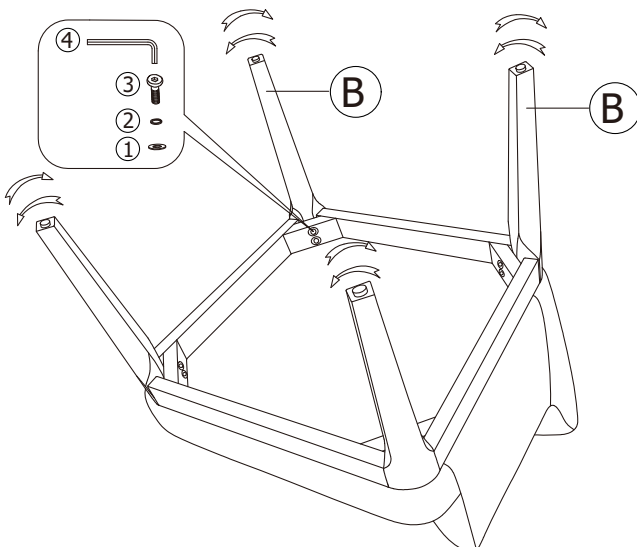
Attach seat frame to left armrest by putting screws in holes. Tighten the screws to 50%.




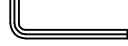



1		x4
2		x4
3	 M8x60mm	x4
4	 M8	x1

STEP- 2

Place the chair on side onto the right armrest, put screws in holes to attached seat frame to right armrest. Tighten the screws to 50%.



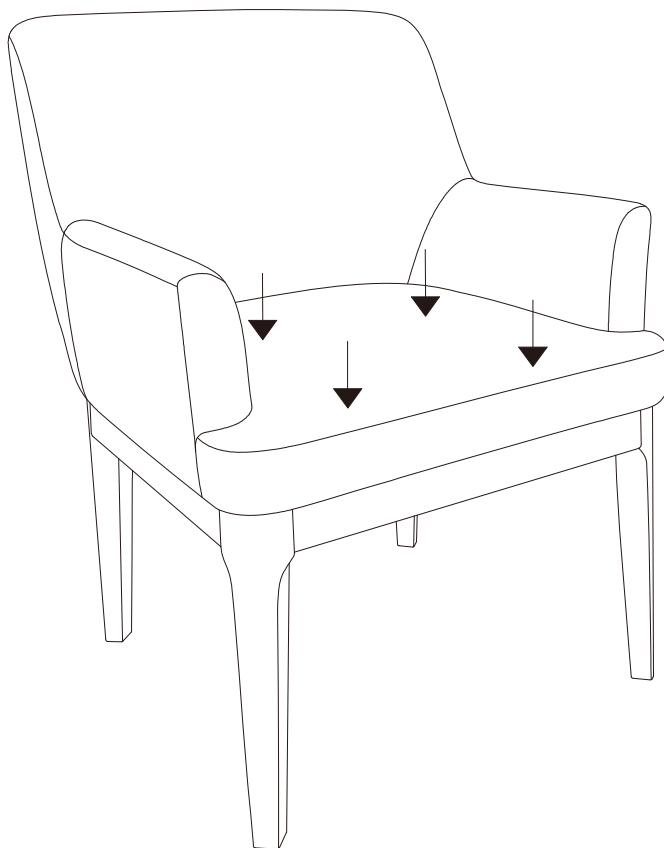
1		x4
2		x4
3	 M8x60mm	x4
4	 M8	x1

 After installation, please keep the chair balanced, tighten all bolts.

ASSEMBLY INSTRUCTIONS

STEP- 3

Place the chair on a flat and evel surface, ensuringthat all fourfeet touch the ground smoothly, and tighten (100%) all screws.



WARRANTY

1. We strive to offer high-quality products, and we also try our best to satisfy each and every customer that orders from us with product or service as needed.
2. We provide 30 days warranty starting from the time you receive the item. Each customer must provide a record of their order such as the order number, or item receipt for any items that are out of the warranty period you may also still receive.
3. Replacement parts by purchasing them with our company if they are available.

Are you having difficulty
With assembly? Missing parts?
Please send email with your order No to

For return, please check the return policy with
the retailer or market place you bought from.

Appreciate your purchasing from us.
Pop up your life by our furniture piece!