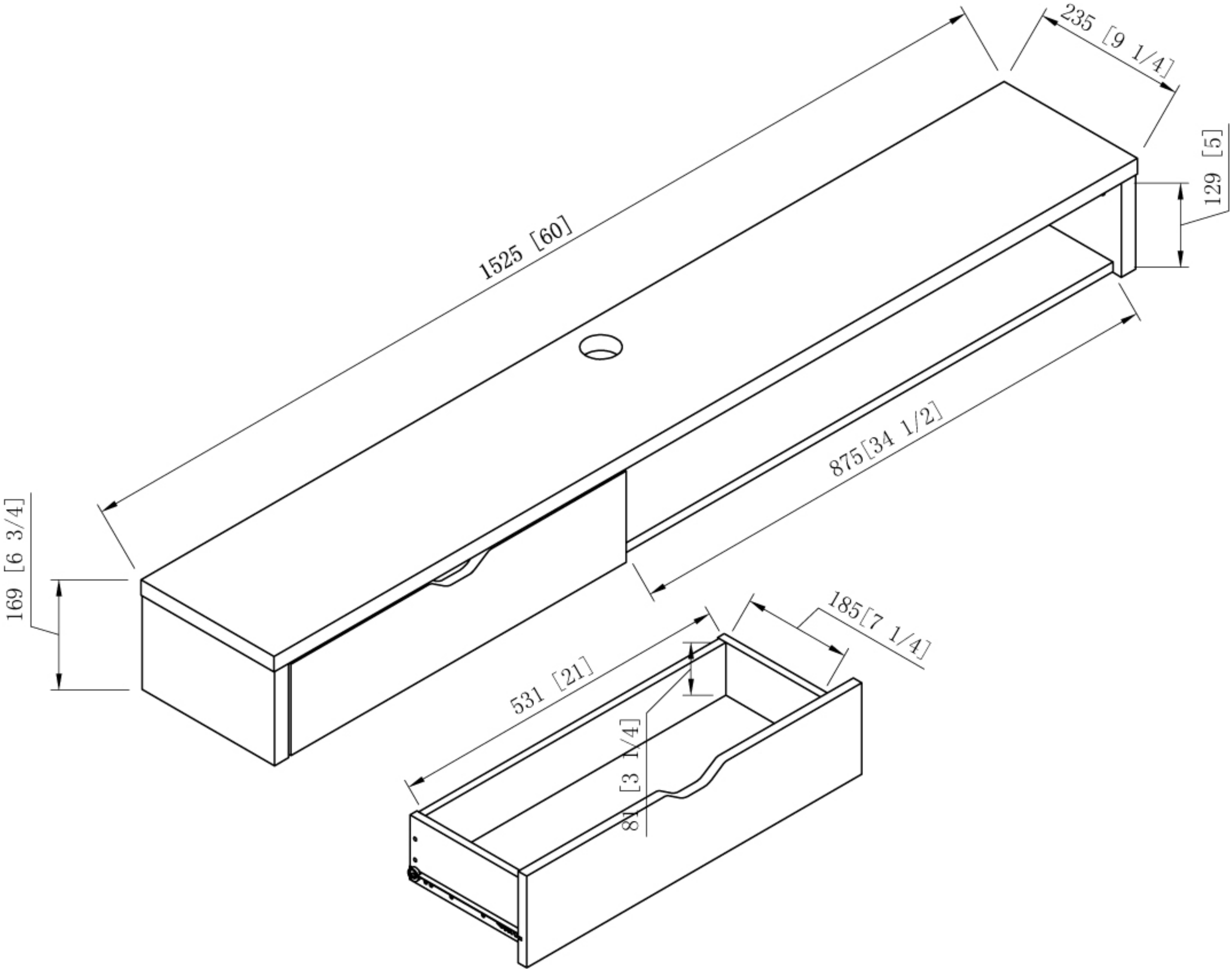


SPECIFICATIONS



ALL MEASUREMENTS ARE APPROXIMATE