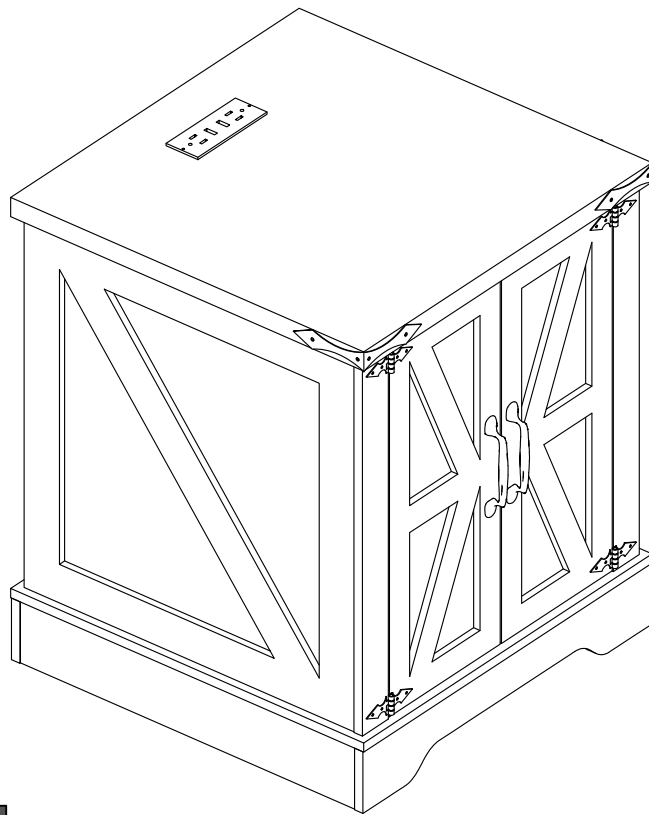


End Table



Dimensions

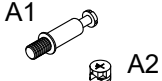
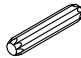


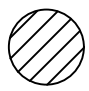



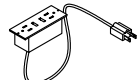
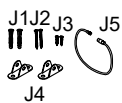


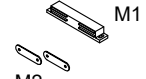

Width-19.7 inch
Depth-19.7 inch
Height-23.6 inch

Important -Please read these instructions fully before starting assembly

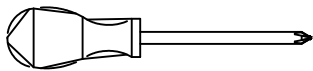
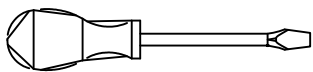
Components -Fittings

Please check you have all the panels listed below

Note: The quantities below are the correct amount to complete the assembly. In some cases more fittings may be supplied than are required.

<p>(A)</p>  <p>Cam Bolt and lock x 30</p>	<p>(B)</p>  <p>Dowel x 21</p>	<p>(C)</p>  <p>5*40mm Screw x 6</p>	<p>(D)</p>  <p>3.5*12mm Screw x 6</p>
<p>(E)</p>  <p>Sticker Cover x 14</p>	<p>(F)</p>  <p>Hinge x 4</p>	<p>(G)</p>  <p>Handle x 2</p>	<p>(H)</p>  <p>4*19mm Screw x 4</p>
<p>(I)</p>  <p>2AC2USB Power Strip x 1</p>	<p>(J)</p>  <p>Anti-tipping device x 1</p>	<p>(K)</p>  <p>Movable partition bracket x 4</p>	<p>(L)</p>  <p>Angle Iron x 2</p>
<p>(M)</p>  <p>Magnet x 1</p>	<p>(N)</p>  <p>3.5*12mm Screw x 26</p>		

Tools required



Phillips screwdriver
(medium & large)

Safety and Care Advice

Important – Please read these instructions fully before starting assembly

- Check you have all the components and tools listed on the following pages.
- Remove all fittings from the plastic bags and separate them into their groups.
- Keep children and animals away from the work area, small parts could choke if swallowed.
- Make sure you have enough space to layout the parts before starting.

- During assembly do not stand or put weight on the product, this could cause damage.
- Assemble the item as close to its final position (in the same room) as possible.
- Assemble on a soft level surface to avoid damaging the unit or your floor.
- Parts of the assembly will be easier with 2 people.



- To reduce the likelihood of damaging your product please ensure that your power drill is set on a low torque setting.

Care and maintenance

- Only clean using a damp cloth and mild detergent, do not use bleach or abrasive cleaners.
- From time to time check that there are no loose screws on this unit.
- This product should not be discarded with household waste. Take to your local authority waste disposal centre.

Handy Hints

- Assemble all parts and bolts loosely during assembly, only once the product is complete should you fully tighten the bolts
- Regularly check and ensure That all bolts and fittings are tightend properly.

WARNING In order to help prevent overturning – please follow these instructions

To help prevent product toppling over please follow the below steps:-

- Use the anti tip stap or wall fixing method provided (if applicable)
- Do not allow children to climb or hang on the furniture
- Do not open more than one drawer at a time
- Do not place heavy items in the top drawers
- Do not place heavy items on top of the furniture, unless the furniture has been designed for this purpose

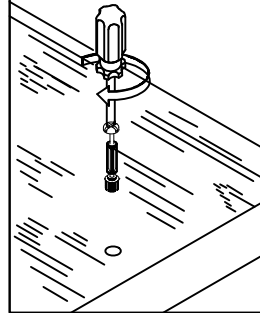
Using Camlocks

Step 1

Connect the male camlock as directed in the assembly instructions using a screwdriver.

1

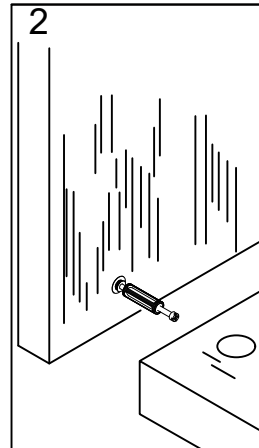
DO NOT OVER TIGHTEN.
NE PAS SERRER EXCESSIVEMENT.



Step 2

Push the male camlock into the entry hole.

2

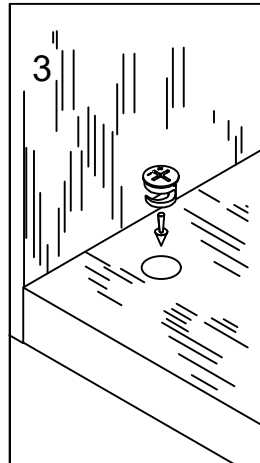


Step 3

Insert the female camlock as shown in the instruction.

Note: ensure that the arrow on the top of the camlock points towards the entry hole for the male camlock.

3



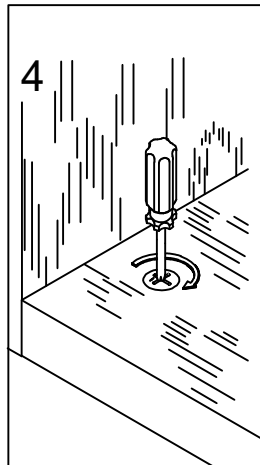
Step 4

Turn the female camlock clockwise with a screwdriver.

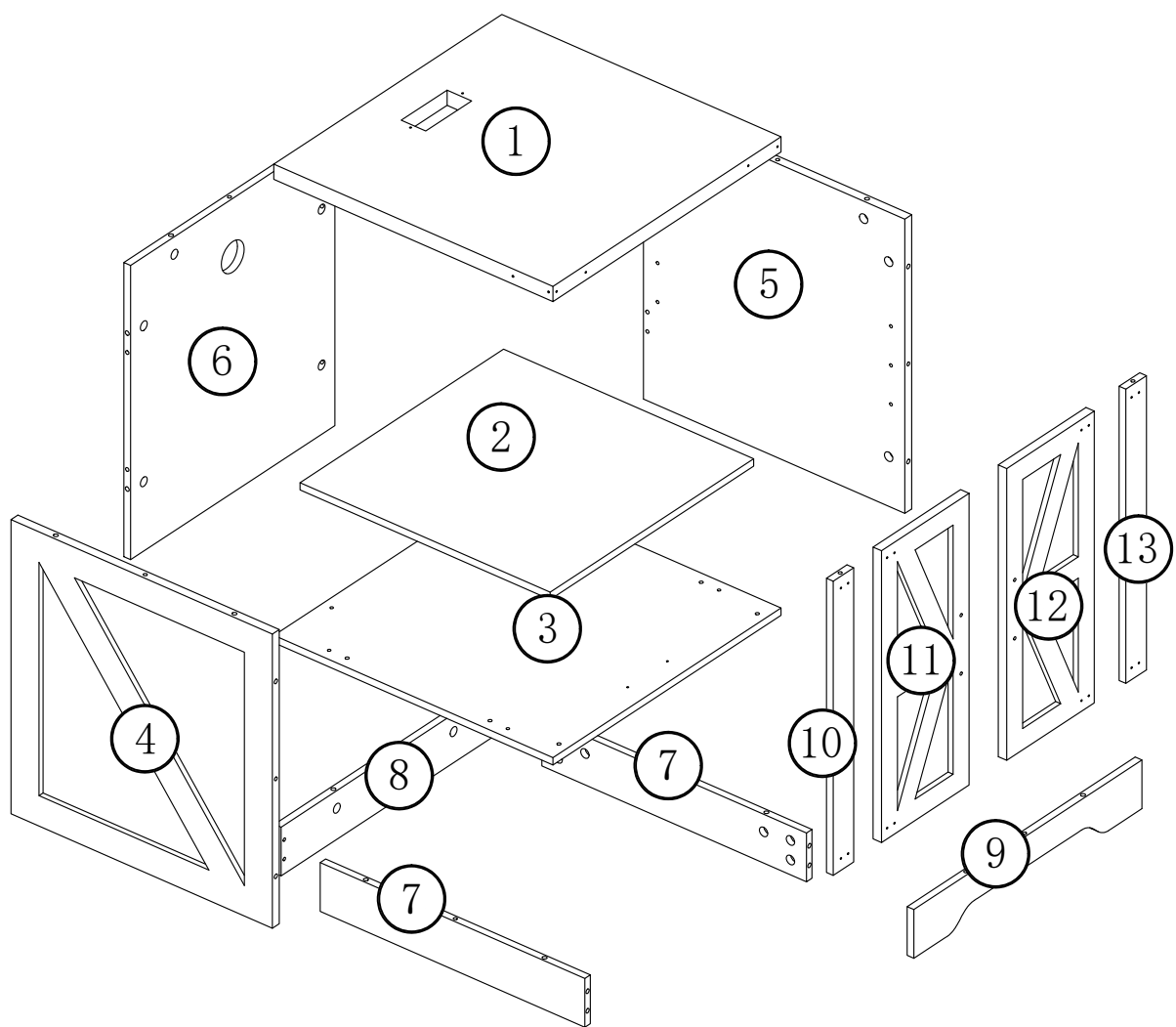
You should feel a click when the camlock is locked in place.

The joint is now secure.

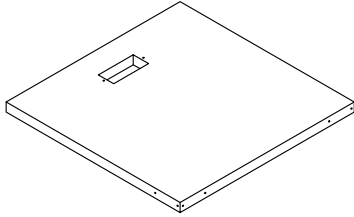
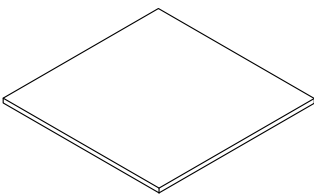
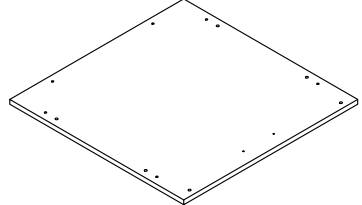
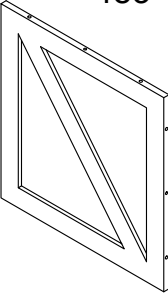
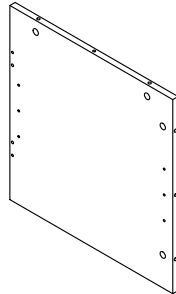
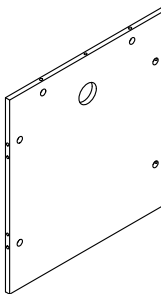
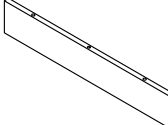
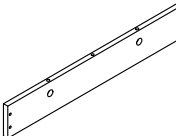
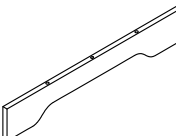

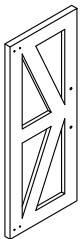


4



Assembly Instructions

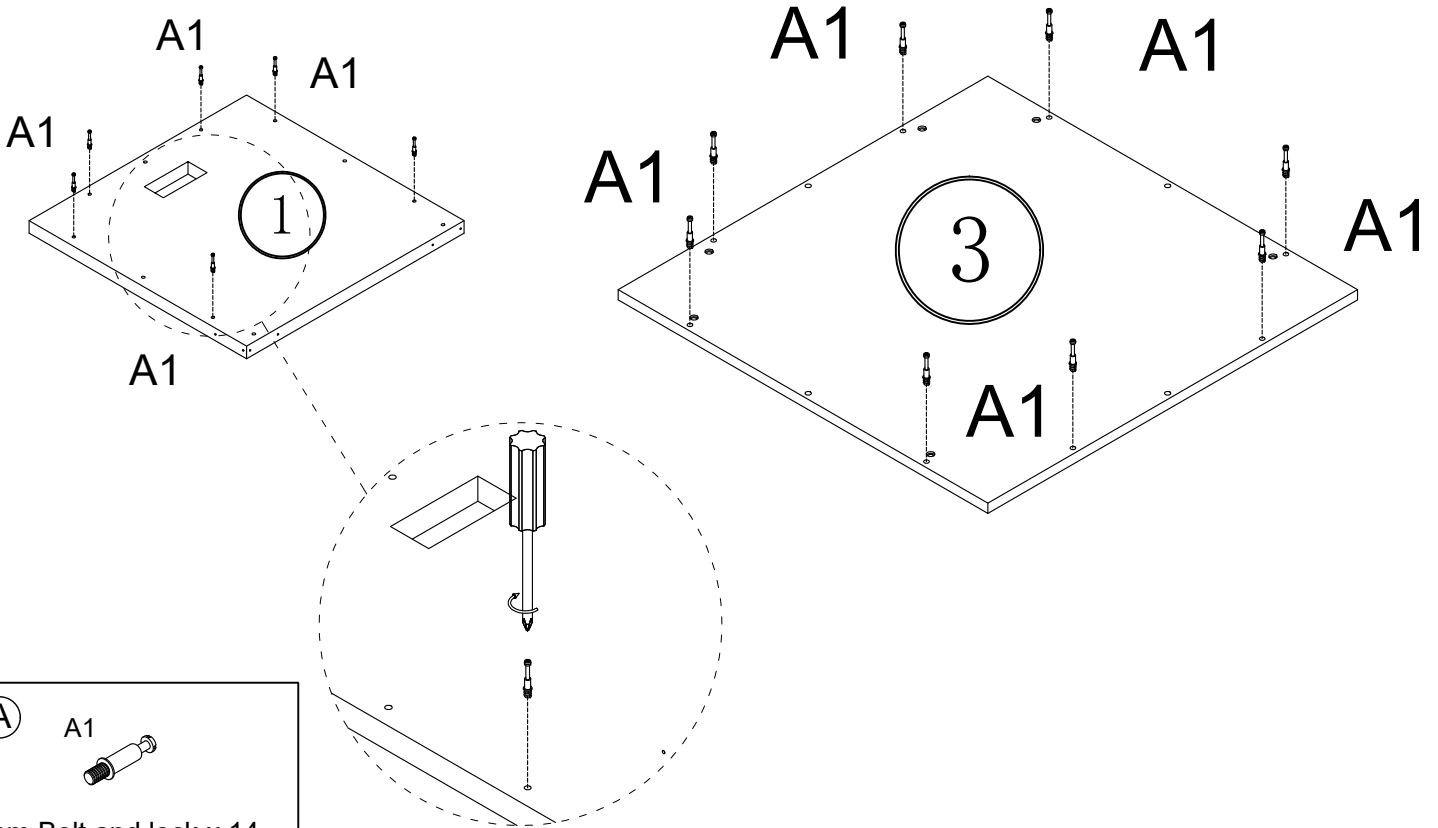


There is 1 box of this product.

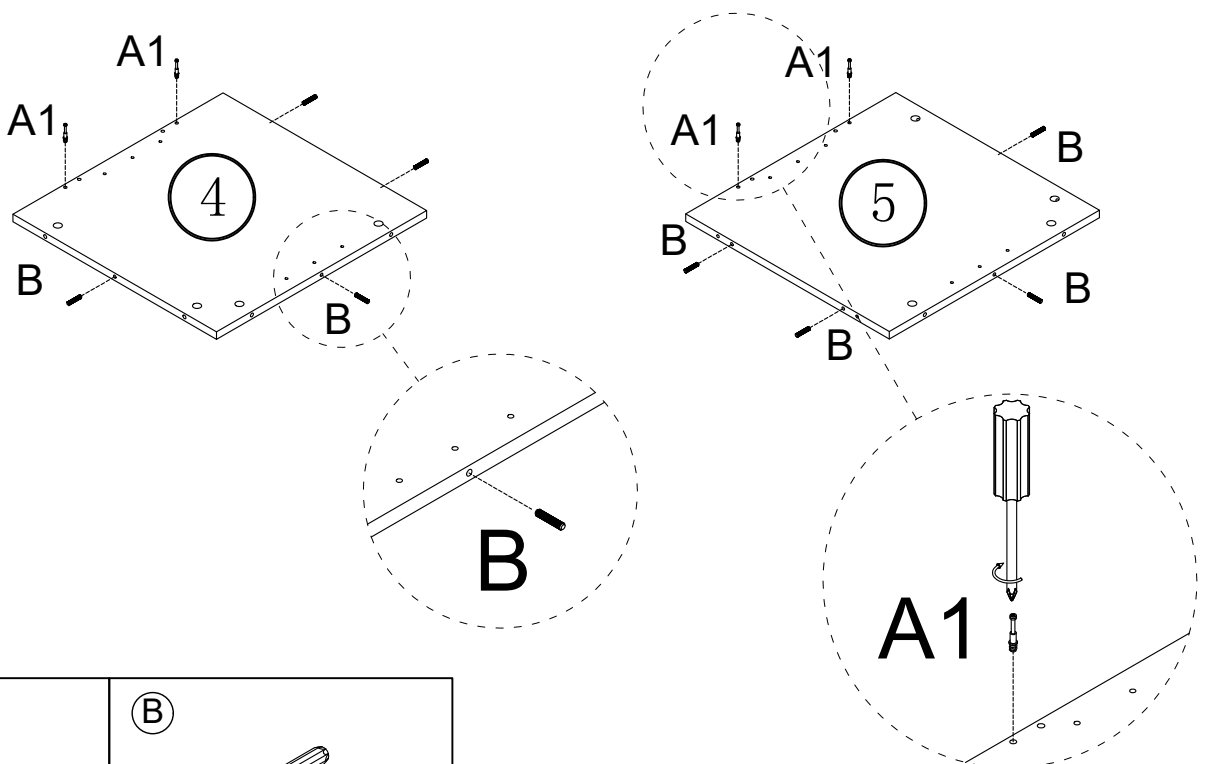
<p>① 500*500mm</p>  <p>1PC</p>	<p>② 446*448mm</p>  <p>1PC</p>	<p>③ 500*500mm</p>  <p>1PC</p>
<p>④ 483*468mm</p>  <p>1PC</p>	<p>⑤ 483*468mm</p>  <p>1PC</p>	<p>⑥ 483*448mm</p>  <p>1PC</p>
<p>⑦ 474*80mm</p>  <p>2PCS</p>	<p>⑧ 500*80mm</p>  <p>1PC</p>	<p>⑨ 500*80mm</p>  <p>1PC</p>
<p>⑩ 483*45mm</p>  <p>1PC</p>	<p>⑪ 479*187mm</p>  <p>1PC</p>	<p>⑫ 479*187mm</p>  <p>1PC</p>
<p>⑬ 483*45mm</p>  <p>1PC</p>		

Assembly Instructions

Step 1

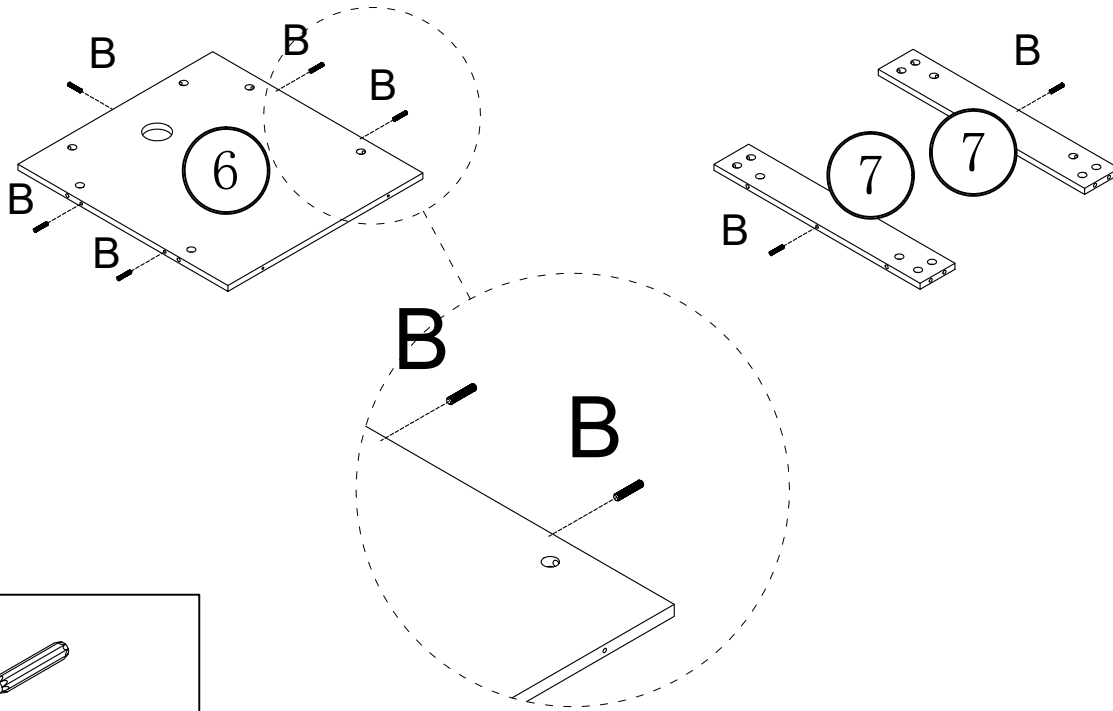


Step 2



Assembly Instructions

Step 3

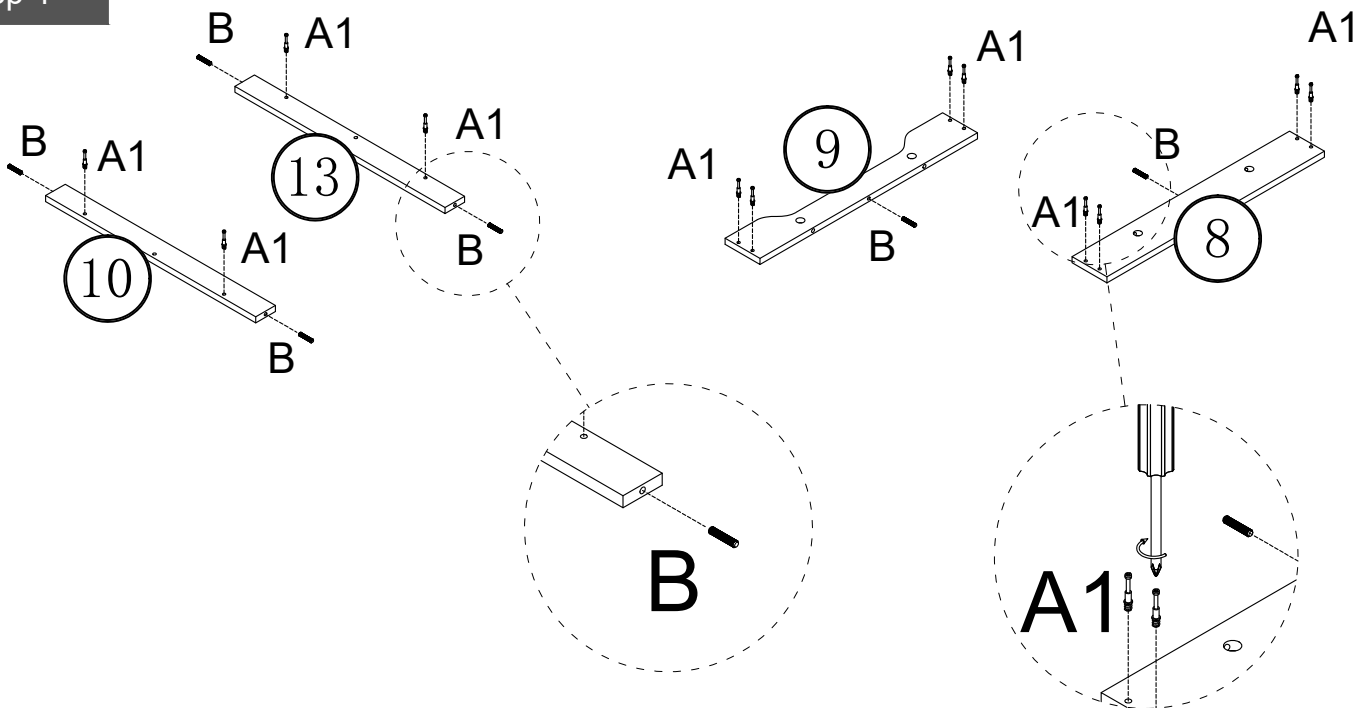


(B)

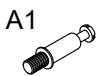


Dowel x 7

Step 4



(A)



Cam Bolt and lock x 12

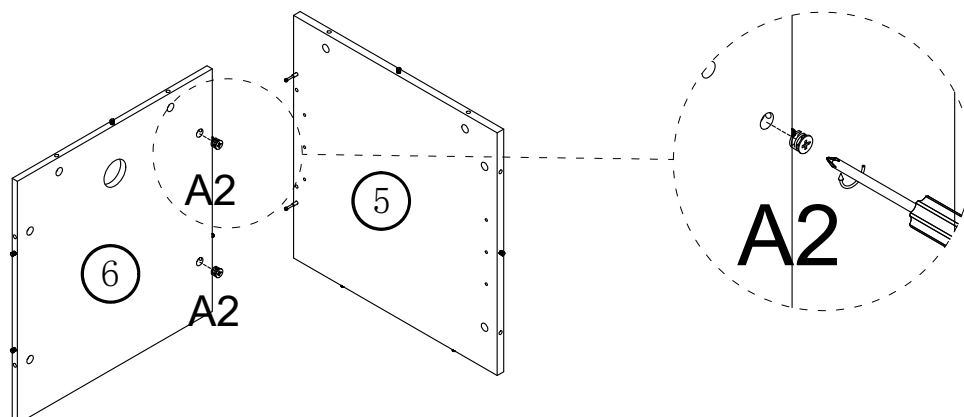
(B)



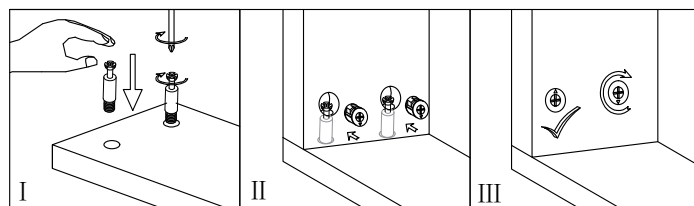
Dowel x 6

Assembly Instructions

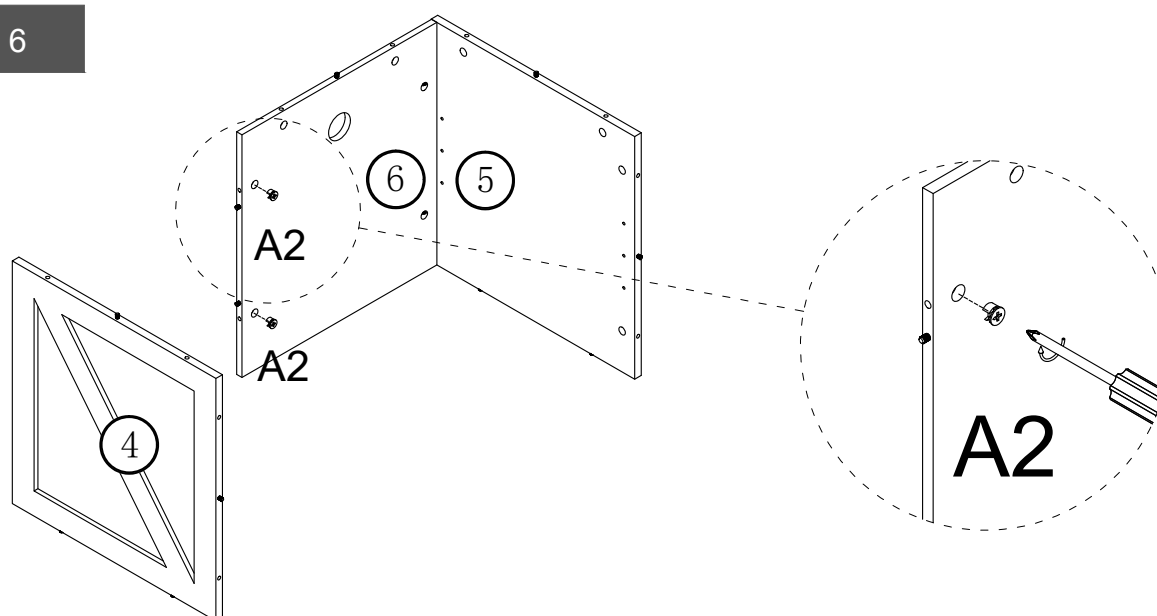
Step 5



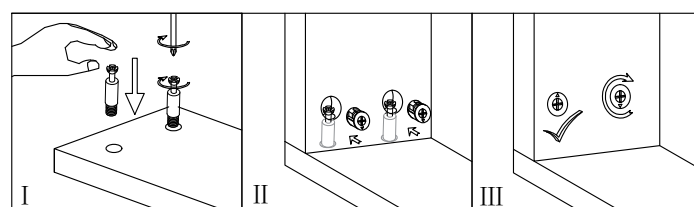
Cam Bolt and lock x 2



Step 6

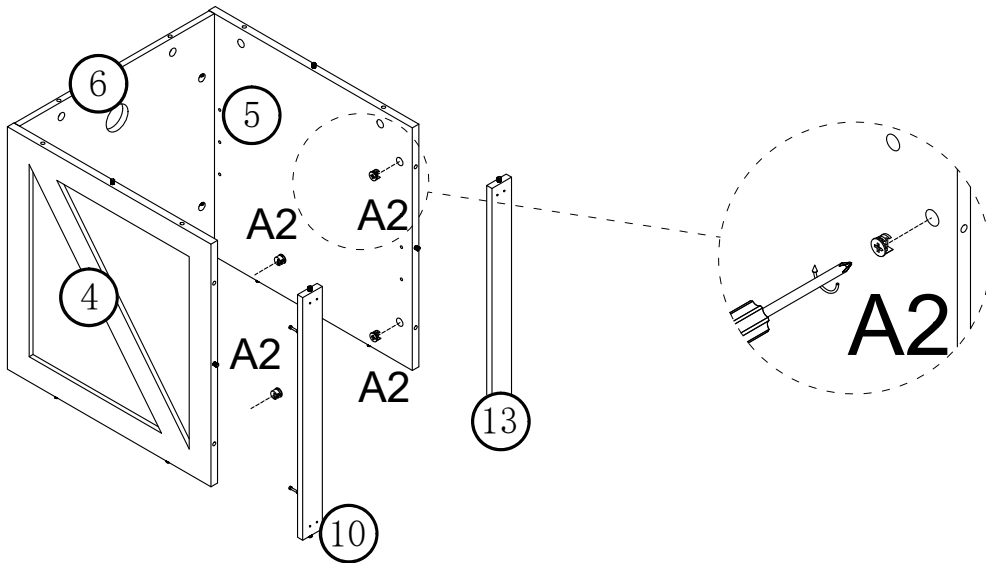


Cam Bolt and lock x 2



Assembly Instructions

Step 7

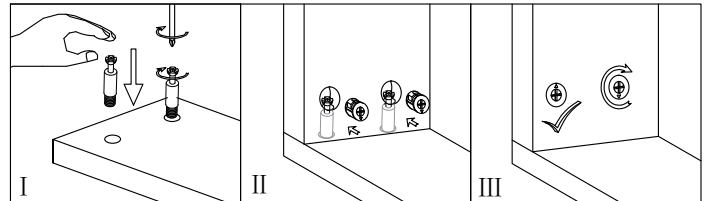


(A)

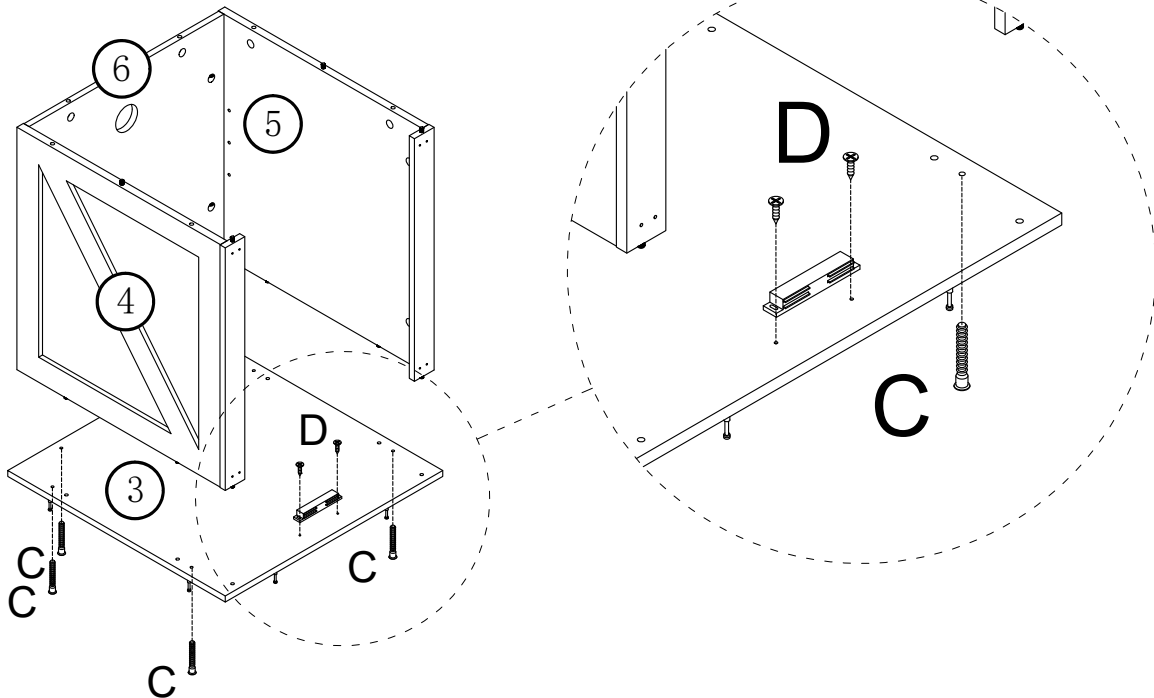


A2

Cam Bolt and lock x 4



Step 8



(C)



5*40mm Screw x 6

(D)



3.5*12mm Screw x 2

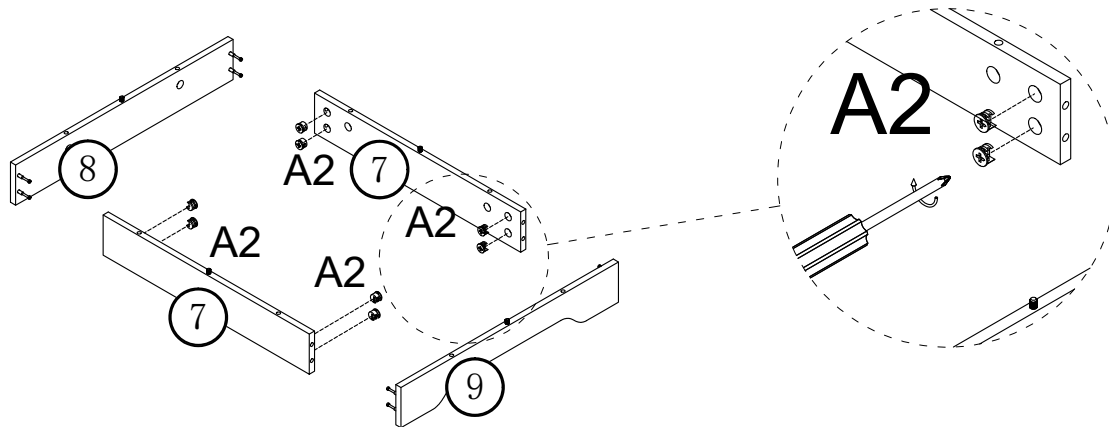
(M1)




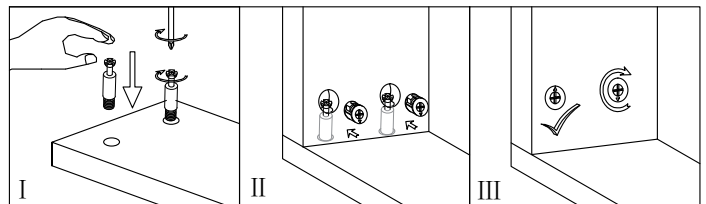
Magnet x 1

Assembly Instructions

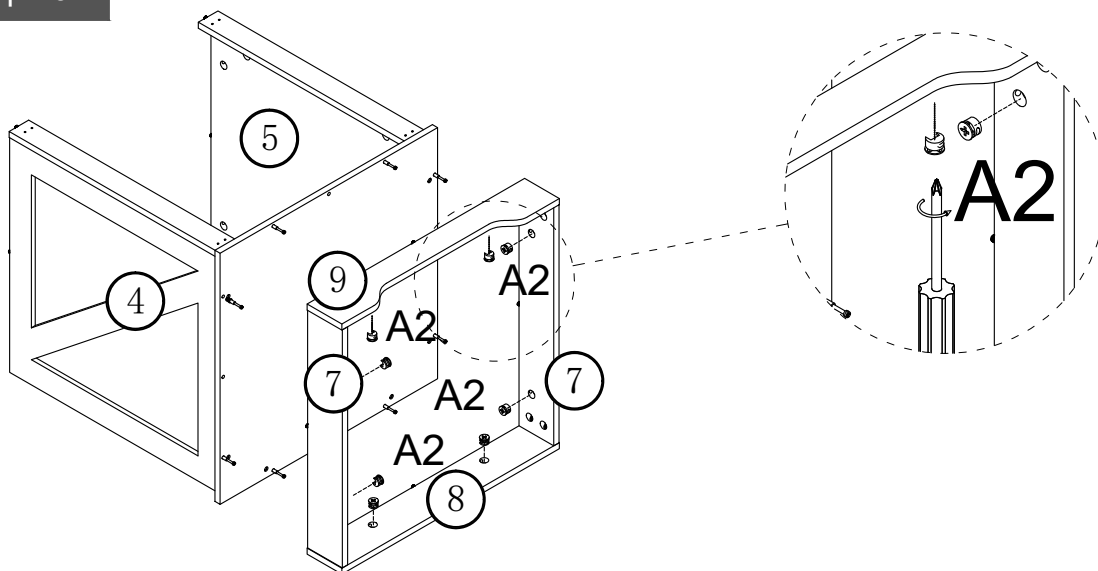
Step 9



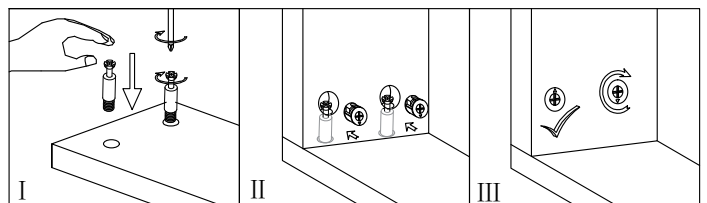
(A)  A2
Cam Bolt and lock x 8



Step 10

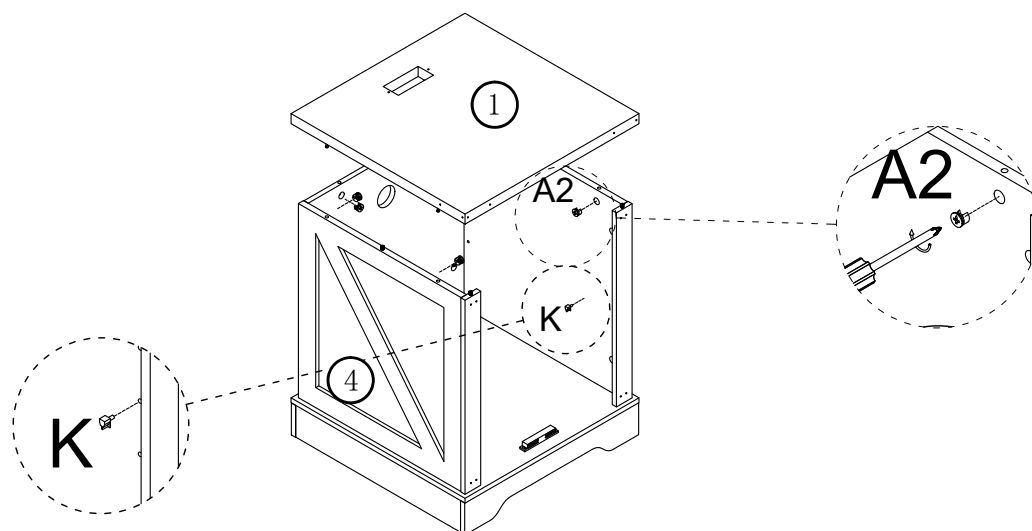


(A)  A2
Cam Bolt and lock x 8



Assembly Instructions

Step 11



(A)

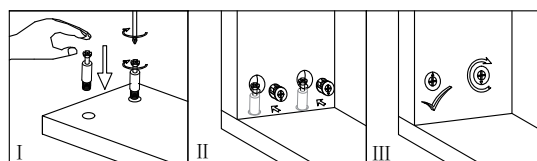


Cam Bolt and lock x 6

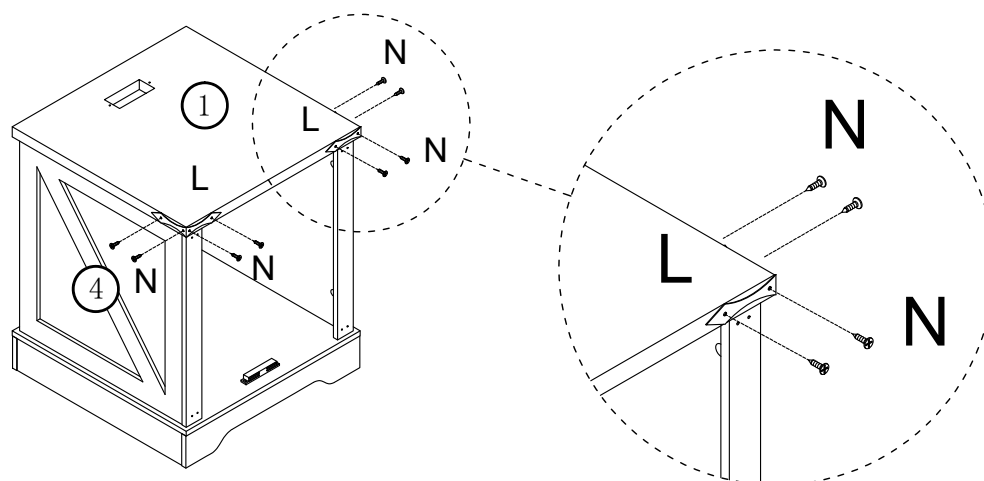
(K)



Movable partition bracket x 4



Step 12



(L)



Angle Iron x 2

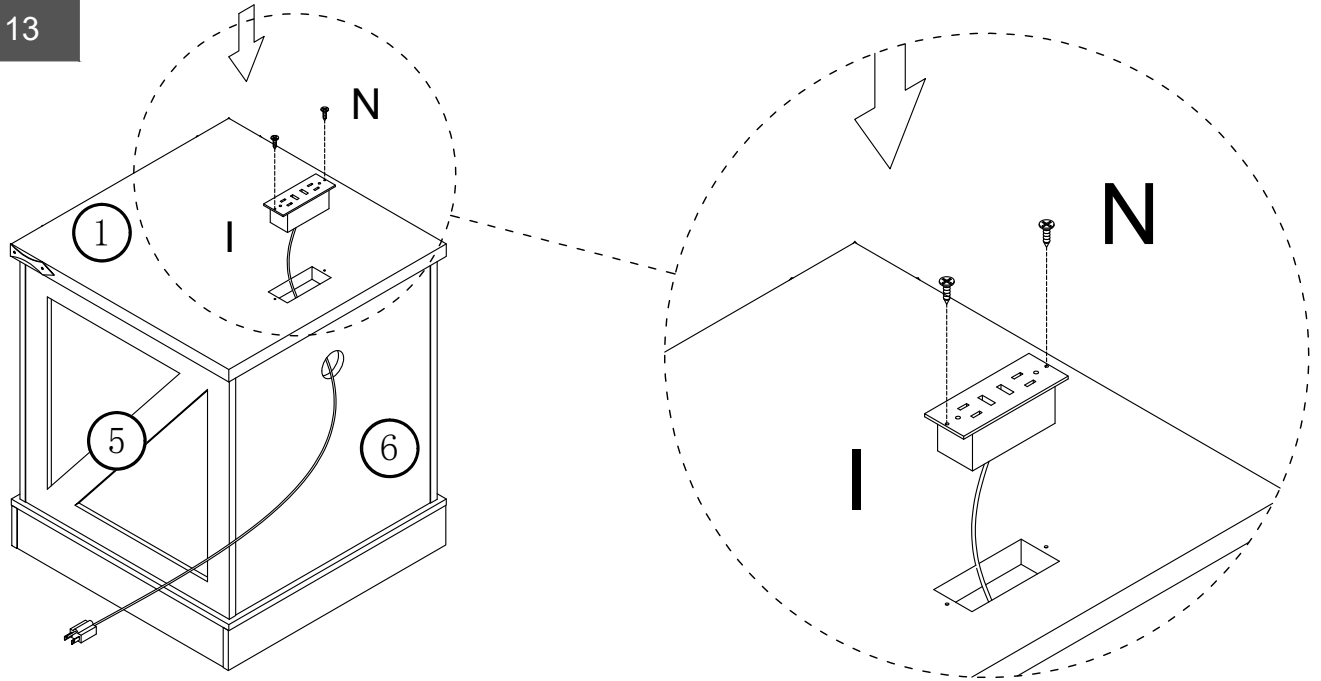
(N)



3.5*12mm Screw x 8

Assembly Instructions

Step 13

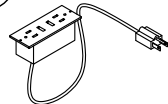


(N)



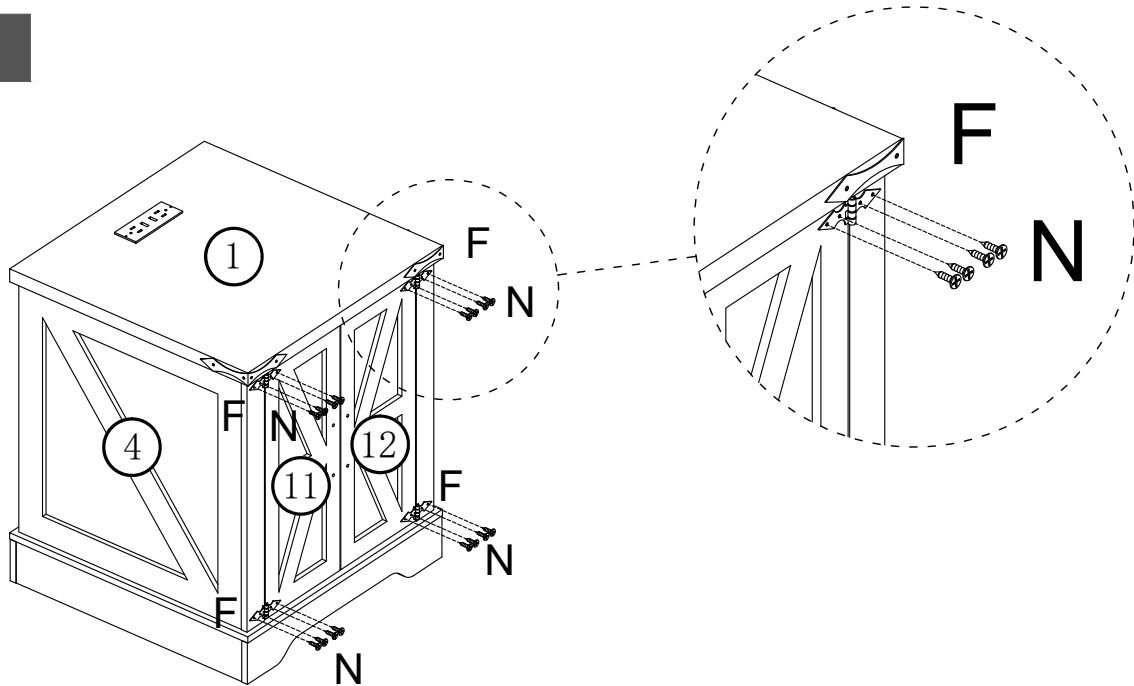
3.5*12mm Screw x 2

(I)



2AC2USB Power Strip x 1

Step 14



(F)



Hinge x 4

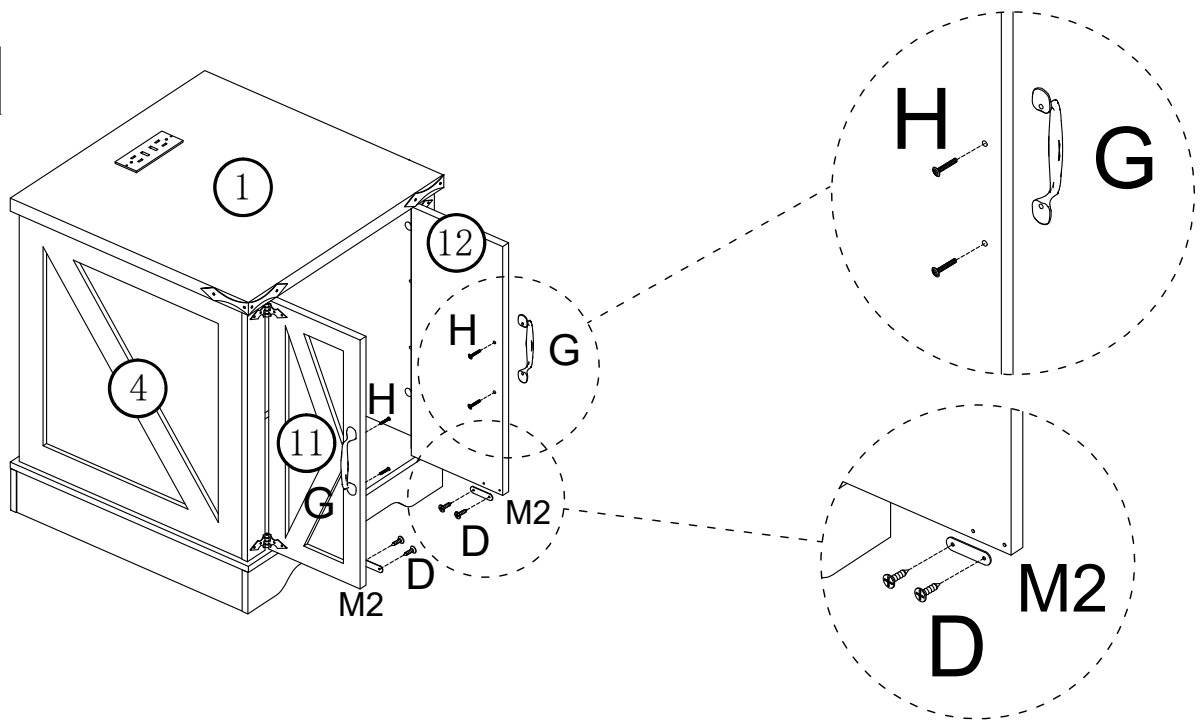
(N)



3.5*12mm Screw x 16

Assembly Instructions

Step 15



ⓐ



Handle x 2

ⓑ



4*19mm Screw x 4

ⓒ



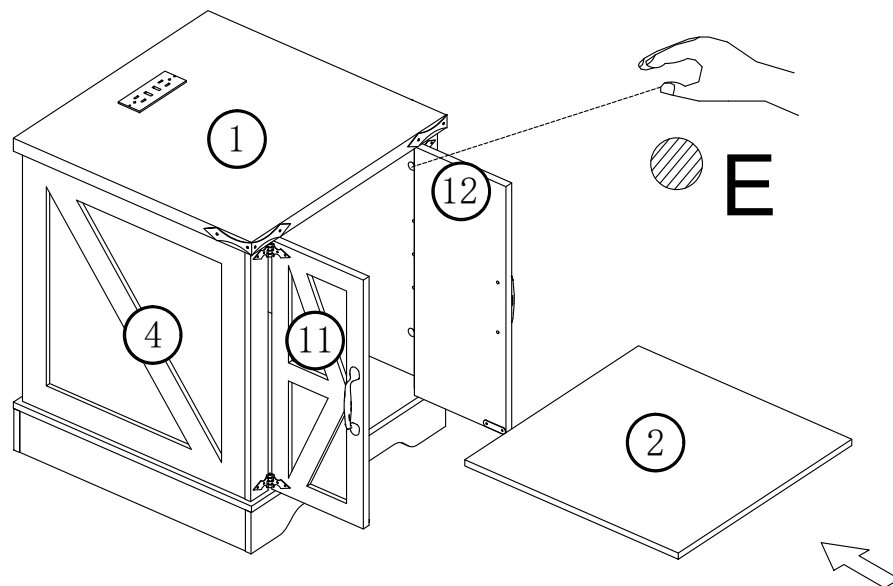
3.5*12mm Screw x 4

ⓓ

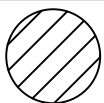


Magnet x 1

Step 16



ⓔ

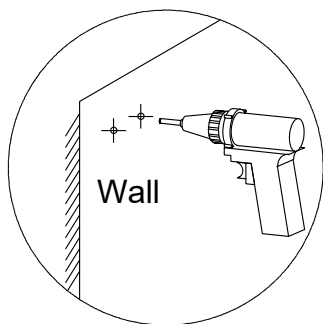


Sticker Cover x 14

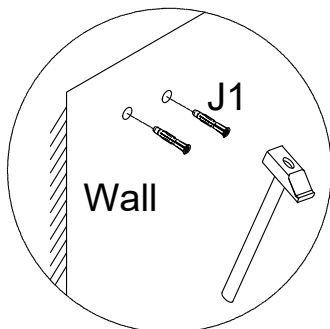
Assembly Instructions

Step 17

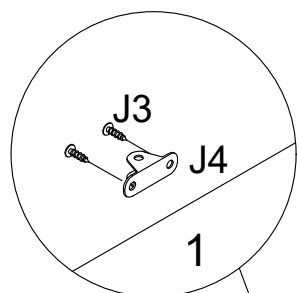
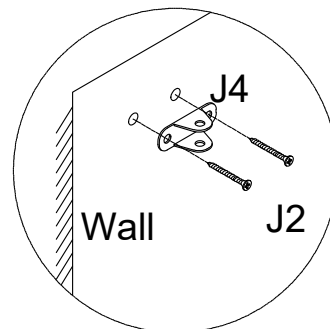
step1



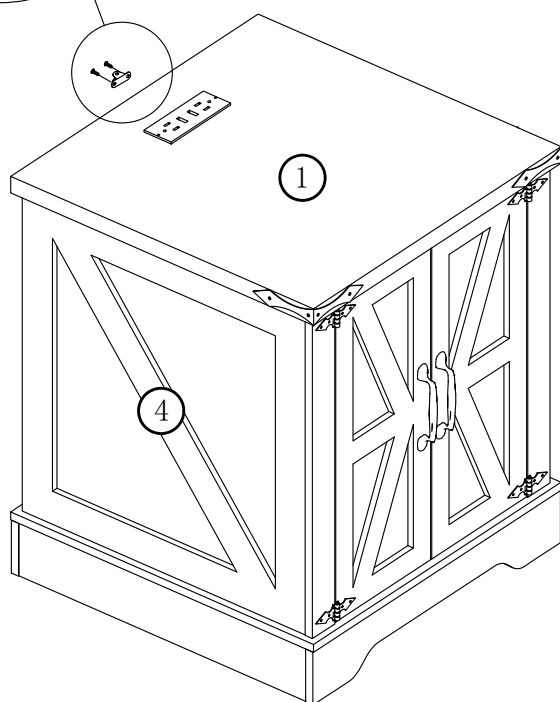
step2



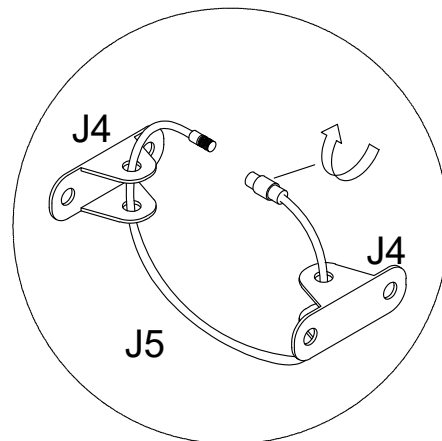
step3



step4



step5



J

J1 J2 J3 J5
J4

Anti-tipping device x 1

Assembly Instructions

Step 18

