


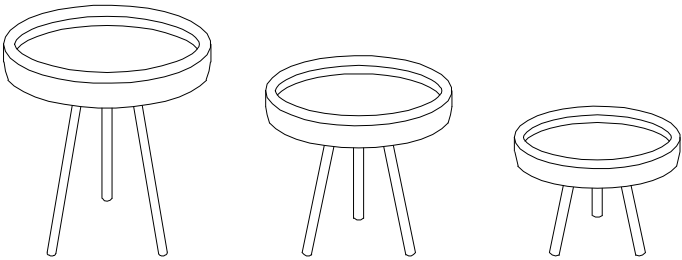


TABLE-L
Assmby Instructions

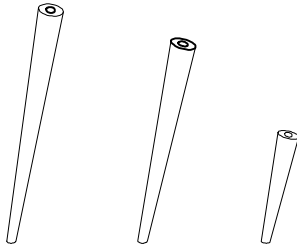
- . Tools included
- . Do not throw away packaging materials until assembly is complete
- . Assemble this item on a soft, clean surface to protect the product
- . Proper assemble requires 2 people
- . Make sure all parts are included prior to assembling

PART UST		
ITEM	DESCRIPTION	QTY
A	Tray	3PCS
B	Legs	9PCS

PART UST		
ITEM	DESCRIPTION	QTY
1	Allen Wrench 	1PC
2	Screw M6*16MM 	18PCS
3	Antitip Kits 	1SET

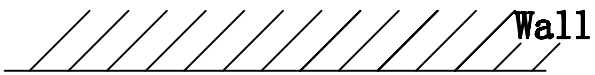
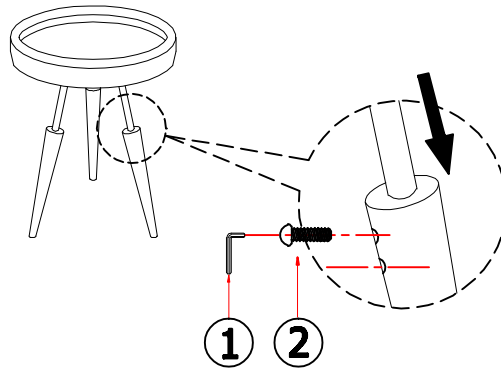


A

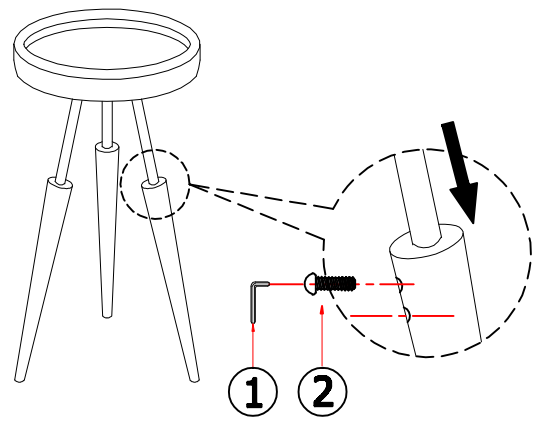


B

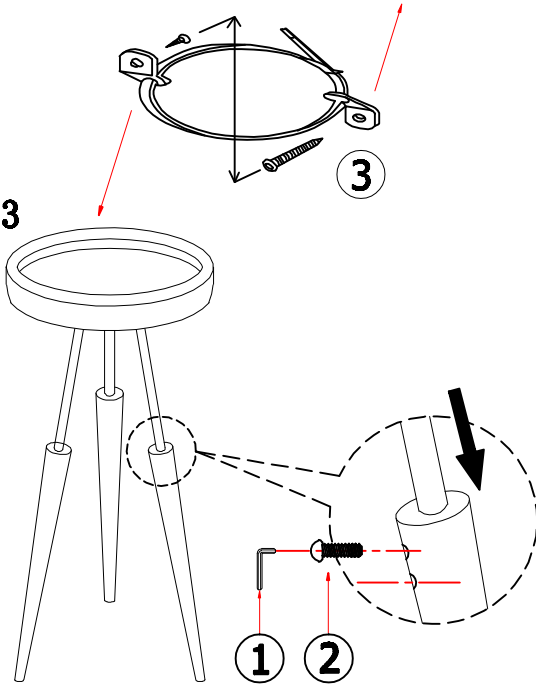
STEP 1



STEP 2



STEP 3



THE END

