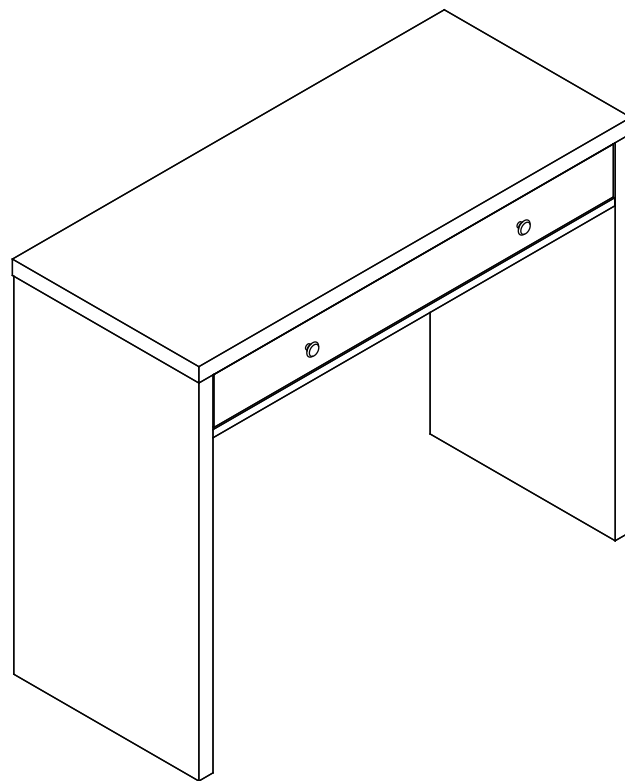


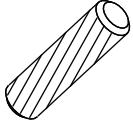
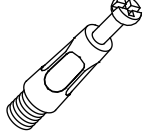

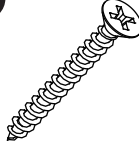

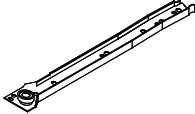
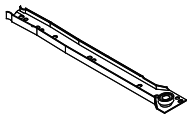

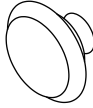

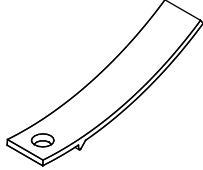
36" DESK WITH DRAWER



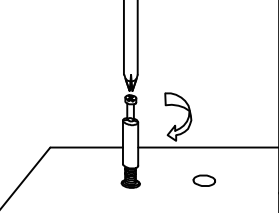
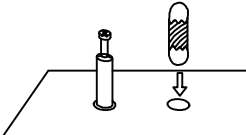
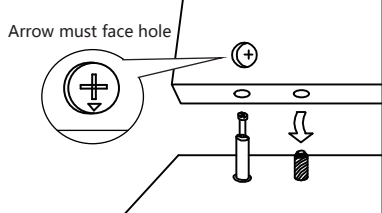
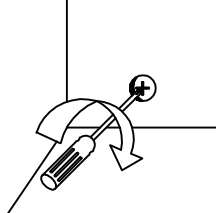
ASSEMBLY INSTRUCTIONS

We have designed our furniture with you , the customer in mind . Our clear , easy to follow , step by step instructions will guide you through the project from start to finish . Feel confident that this will be a fun and rewarding project . The final product will be a quality piece of furniture that will go together smoothly and give years of enjoyment .

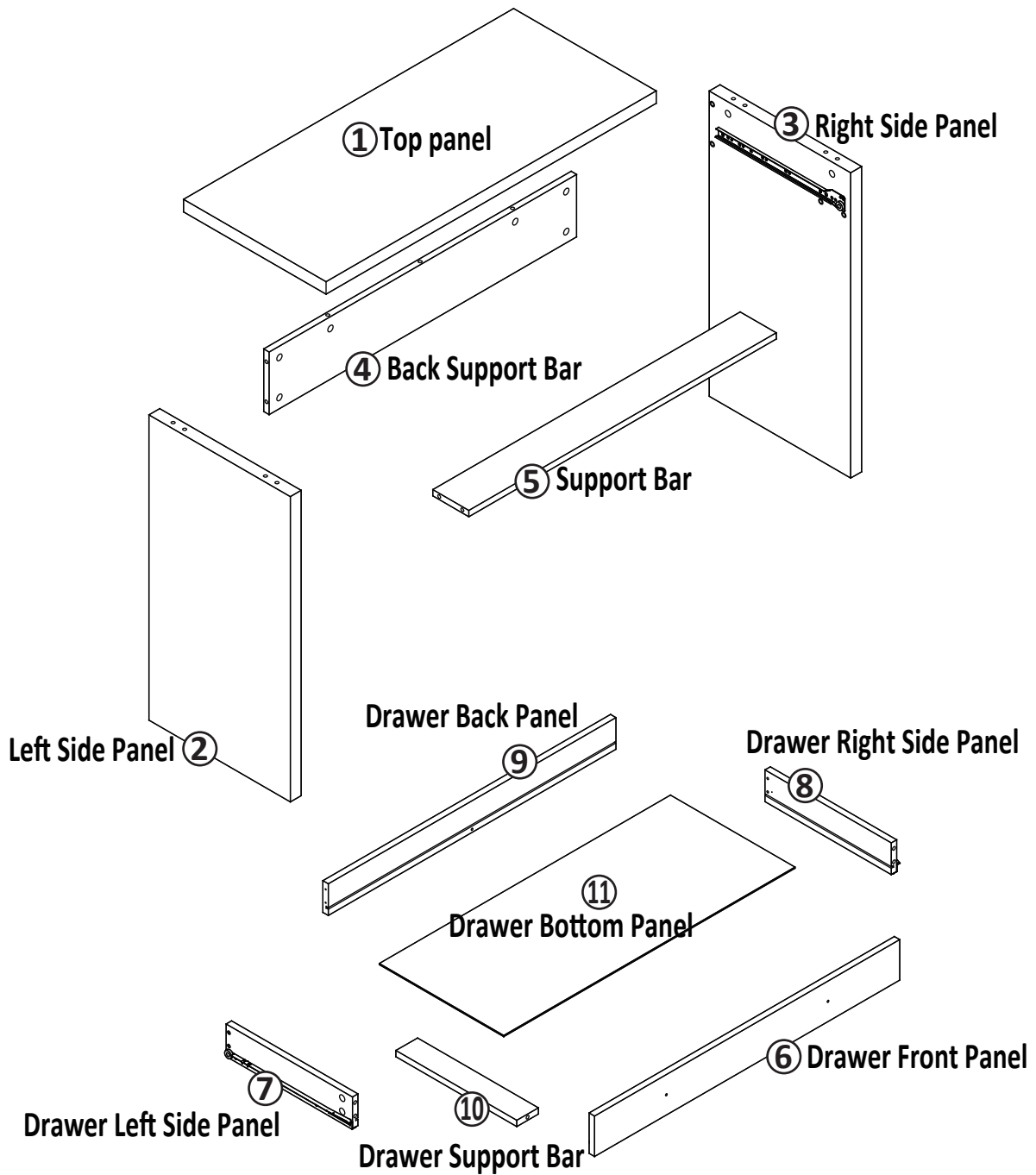
Hardware List

A 	B 	C 	D 	E 
Wood Dowel(5pcs)	Cam Bolt (19pcs)	Cam Lock (19pcs)	Long Screw (5pcs)	Short Screw(1pc)
F 	G 	H 	I 	J 
Left Gilde (1pc)	Right Gilde (1pc)	Small Screw(4pcs)	Handle (2pcs)	Handle Screw (2pcs)
K 				
Safety Drawer Stop (1pc)	Glue : For securing please apply to wood dowel first before inserting into panel .			

Assembling the unit with camlocks and wood dowels.

			
Gently screw cambolt into the threaded anchor.	Lightly glue one end of the wood dowel and tap halfway into hole.	Lightly glue wood dowel and connect to second panel by inserting dowels into holes.	Screw the camlock firmly into locked position.

Panel List

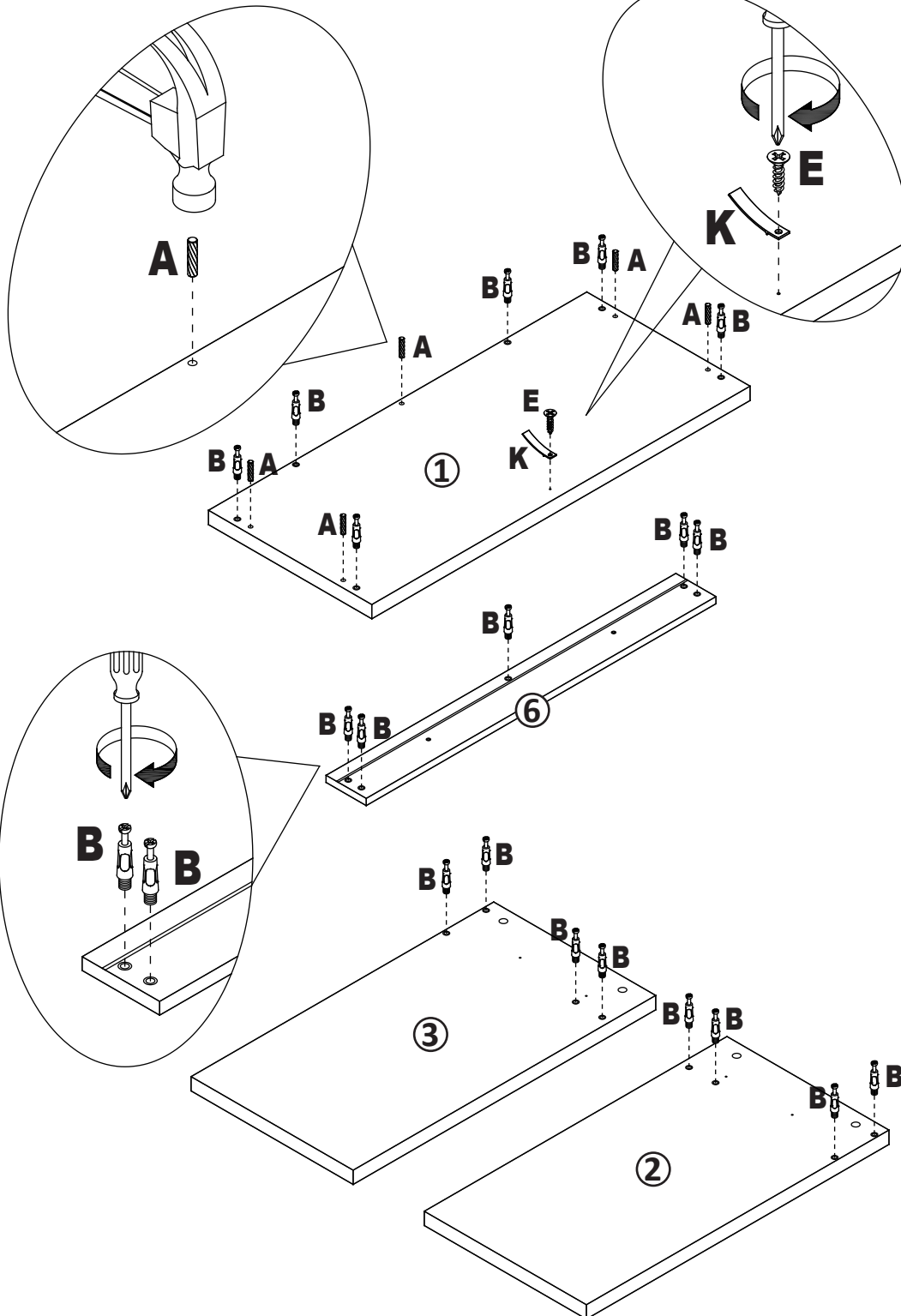


Please count and verify all parts before assembly .

Step 1

*Assemble unit on carpet or other soft surface.

1. Screw Cambolts (B) into Top Panel ①, Right Side Panel ③, Left Side Panel ② and Drawer Front Panel ⑥ as shown.
2. Gently tap Wood Dowels (A) into Top Panel ① as shown.
3. Attach Safety Drawer Stop (K) to Top Panel ① using Short Screw (E) as shown.

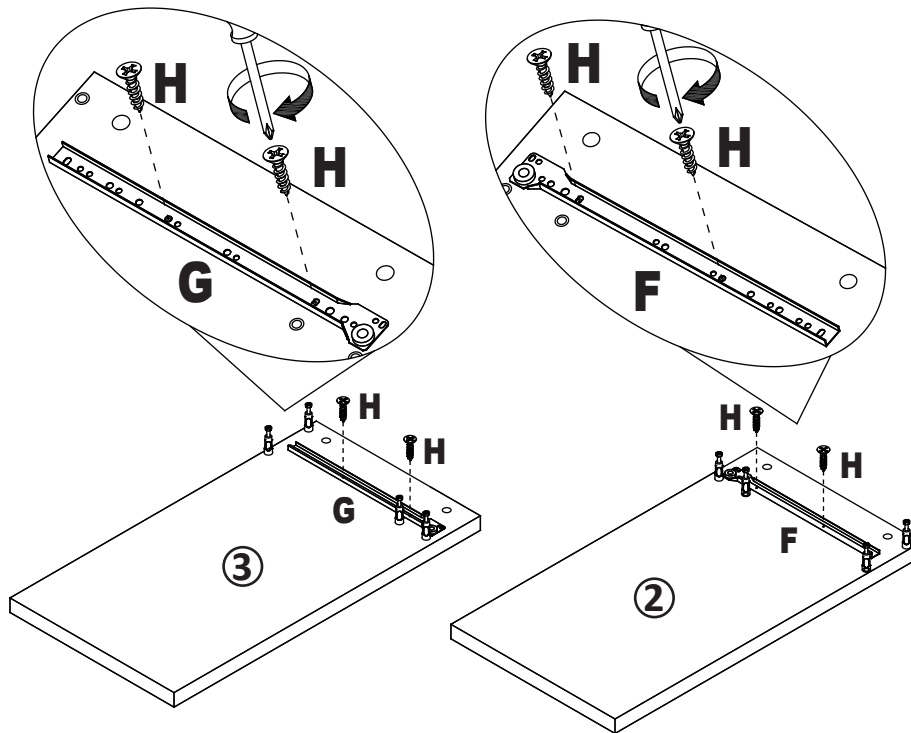


A		x5
B		x19
E		x1
K		x1

Step 2

*Assemble unit on carpet or other soft surface.

1. Attach Left Glider (F) to Left Side Panel ② using Small Screws (H) .
2. Attach Right Glider (G) to Right Side Panel ③ using Small Screws (H) .



F



x1

G



x1

H

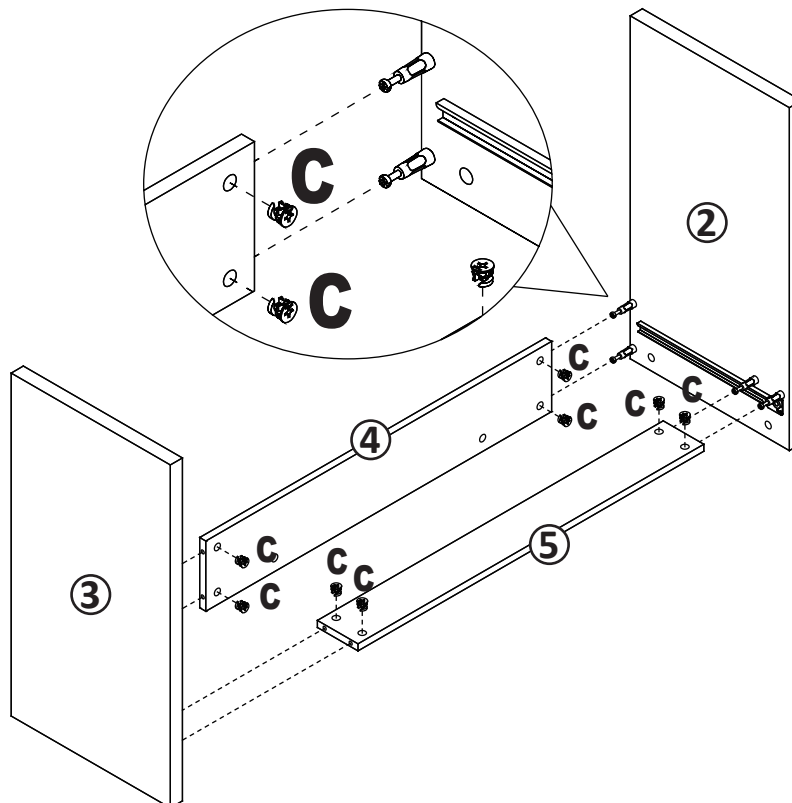


x4

Step 3

*Assemble unit on carpet or other soft surface.

1. Connect Back Support Bar ④ and Support Bar ⑤ to Left Side Panel ② and Right Side Panel ③ using Camlocks (C) .



C

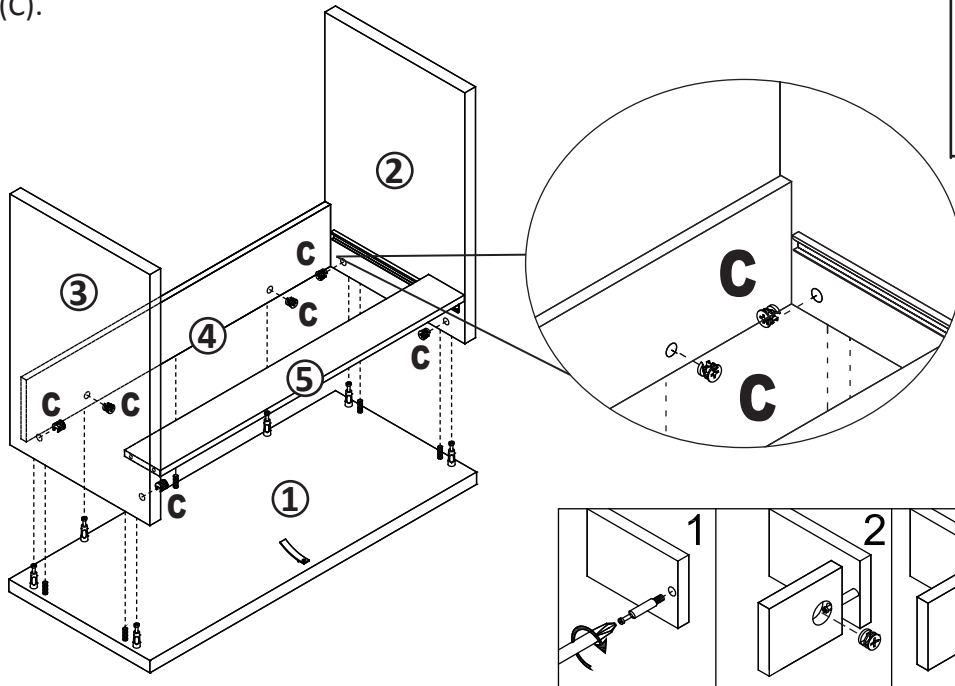


x8

Step 4

*Assemble unit on carpet or other soft surface.

1. Attach Top Panel (1) to Back Support bar (4) and Side Panels (3) & (2) using Camlocks (C).



C

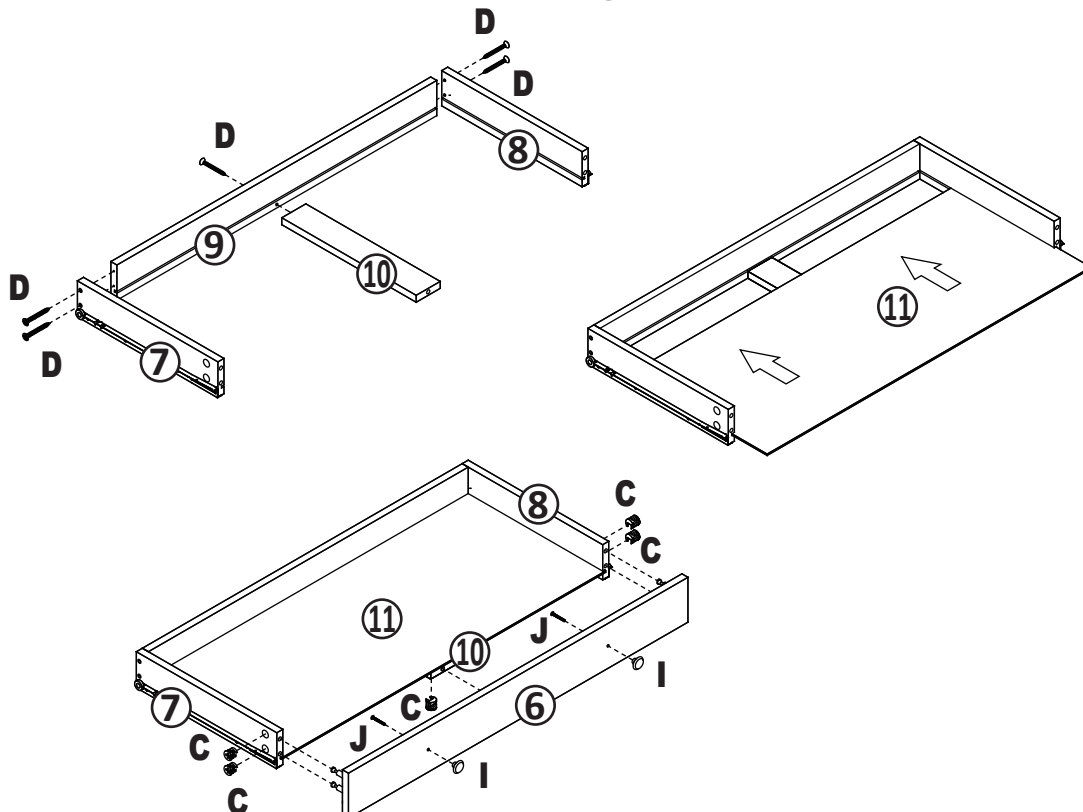


x6

Step 5

*Assemble unit on carpet or other soft surface.

1. Attach Drawer Side Panels (7) & (8) and Drawer Bottom Support Bar (10) to Drawer Back Panel (9) using Long Screws (D).
2. Insert Drawer Bottom Panel (11) into grooves of drawer assembly.
3. Connect Drawer Front Panel (6) to assembly by using camlocks (C)
4. Attach Handles (I) to Drawer Front Panel (6) by using Handle Screws (J).

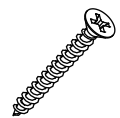


C



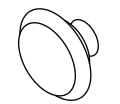
x5

D



x5

I



x2

J



x2

Step 5

1. Carefully insert drawer into unit.
2. Enjoy !

