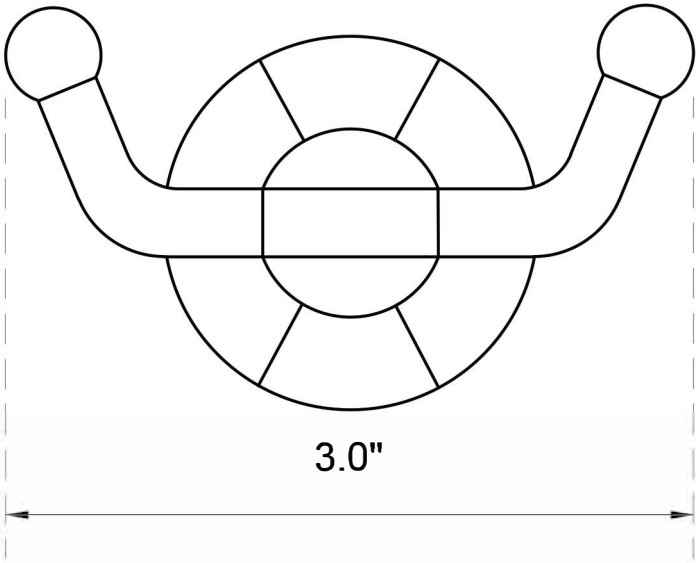
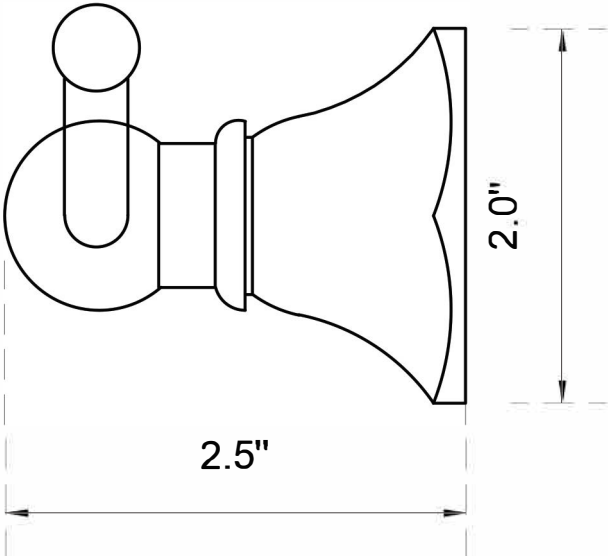


# Dimensions



Front View



Side View