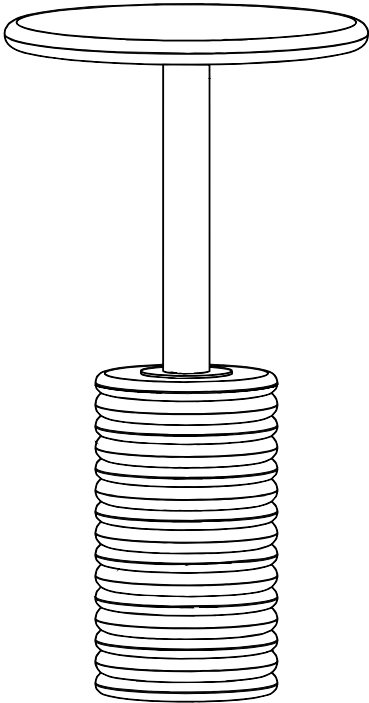

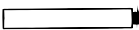
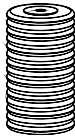
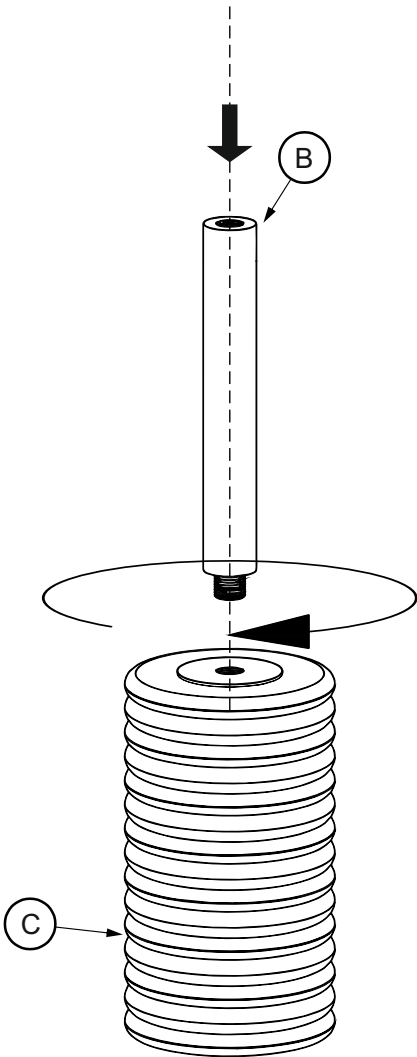


ASSEMBLY INSTRUCTION FOR END TABLE

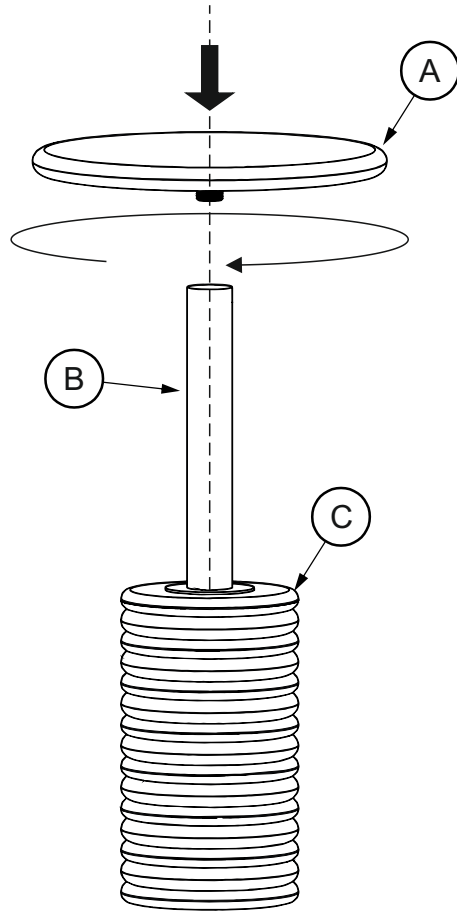


HARDWARE LIST				
A		MARBLE TOP	Ø304 X 20mm.	1
B		MID POST	Ø38 X 254mm.	1
C		BASE	Ø152 X 304mm.	1

Step 1



Step 2



Step 3

