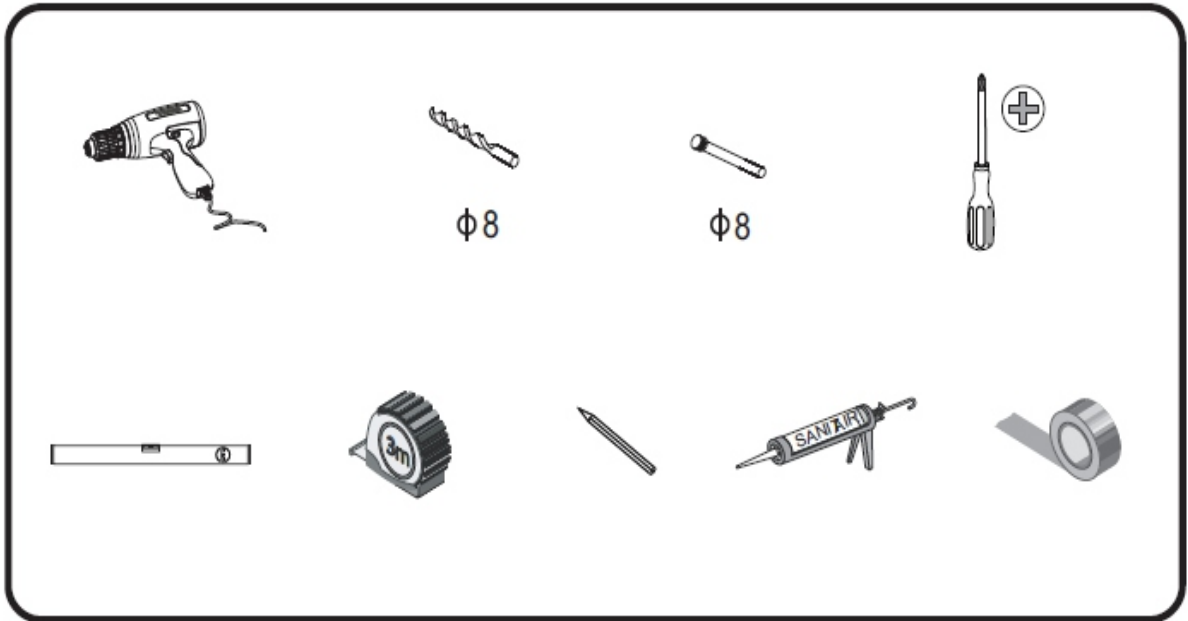
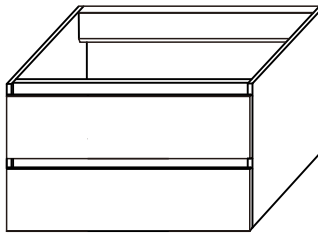


Tools List

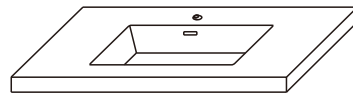


Parts List

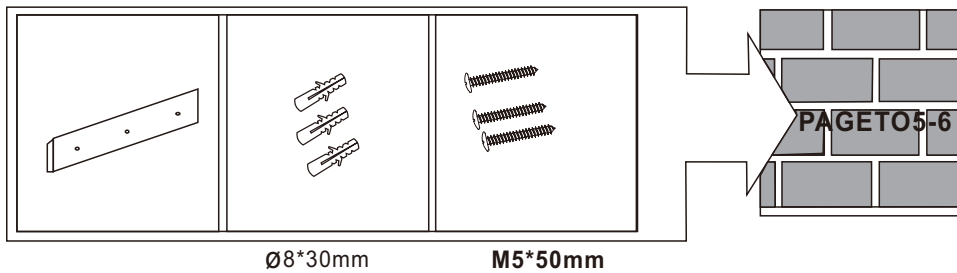
Cabinet



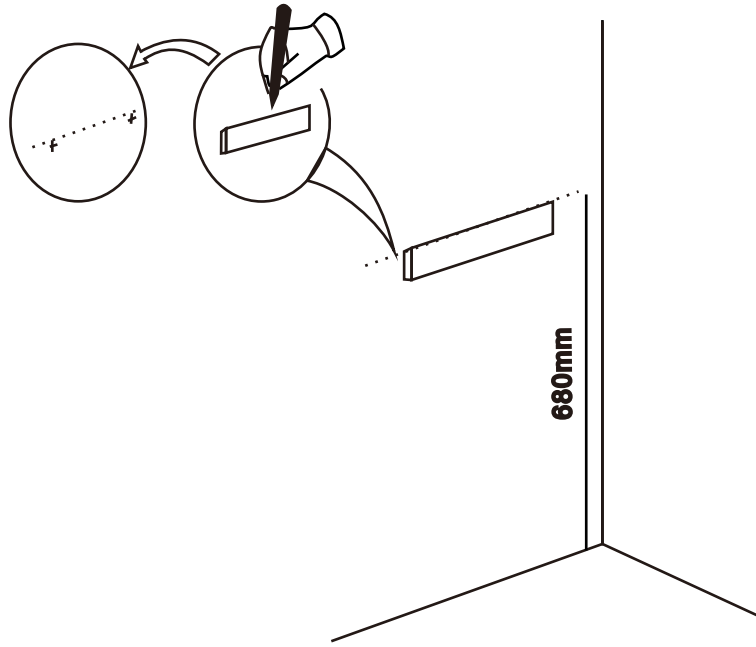
Basin



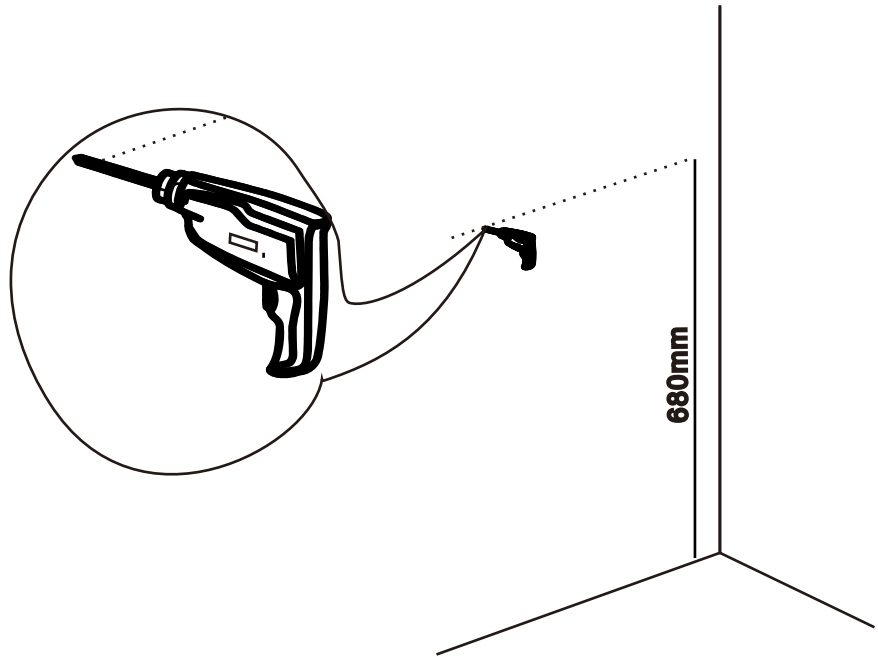
Fixed Accessories



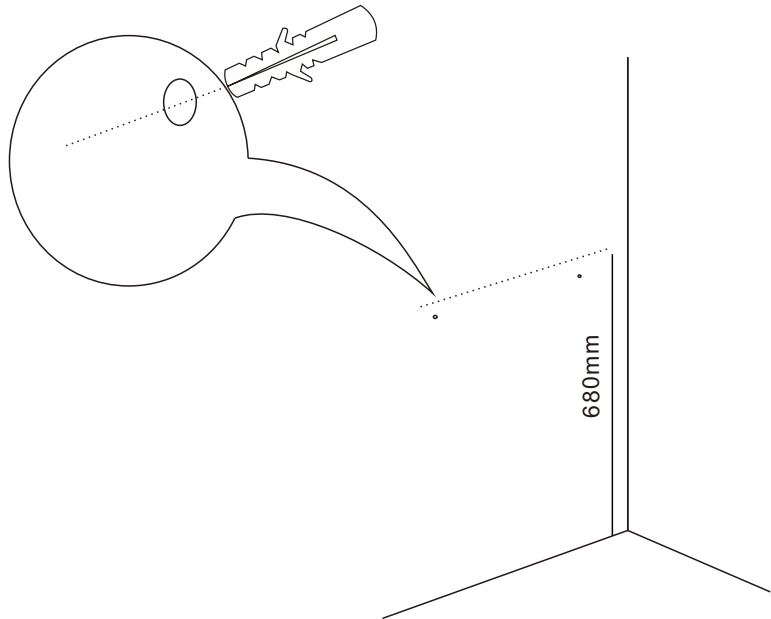
1



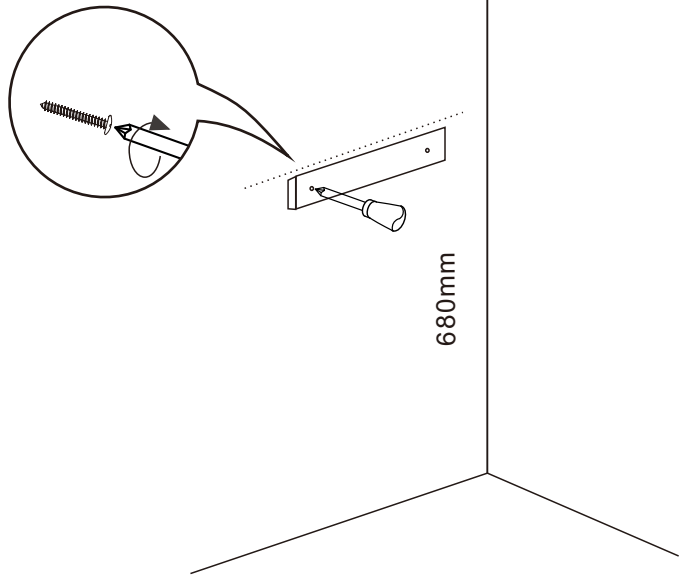
2



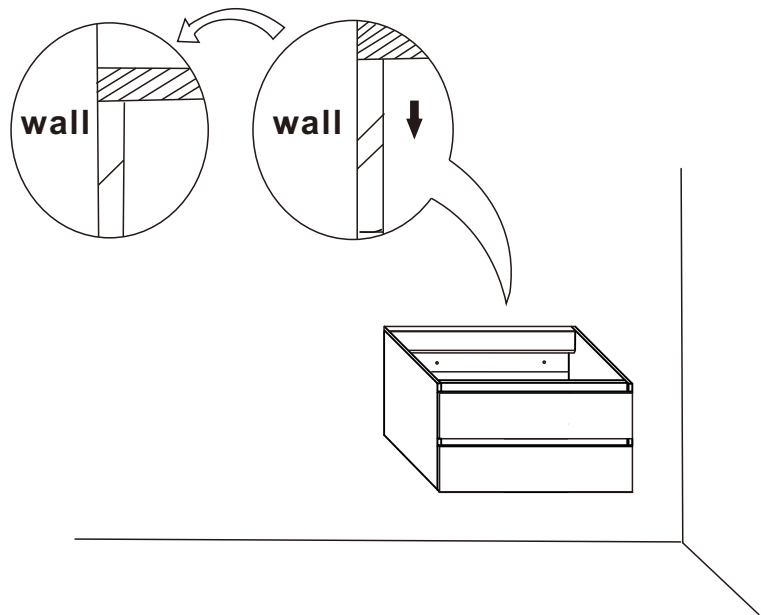
3



4



5



6

