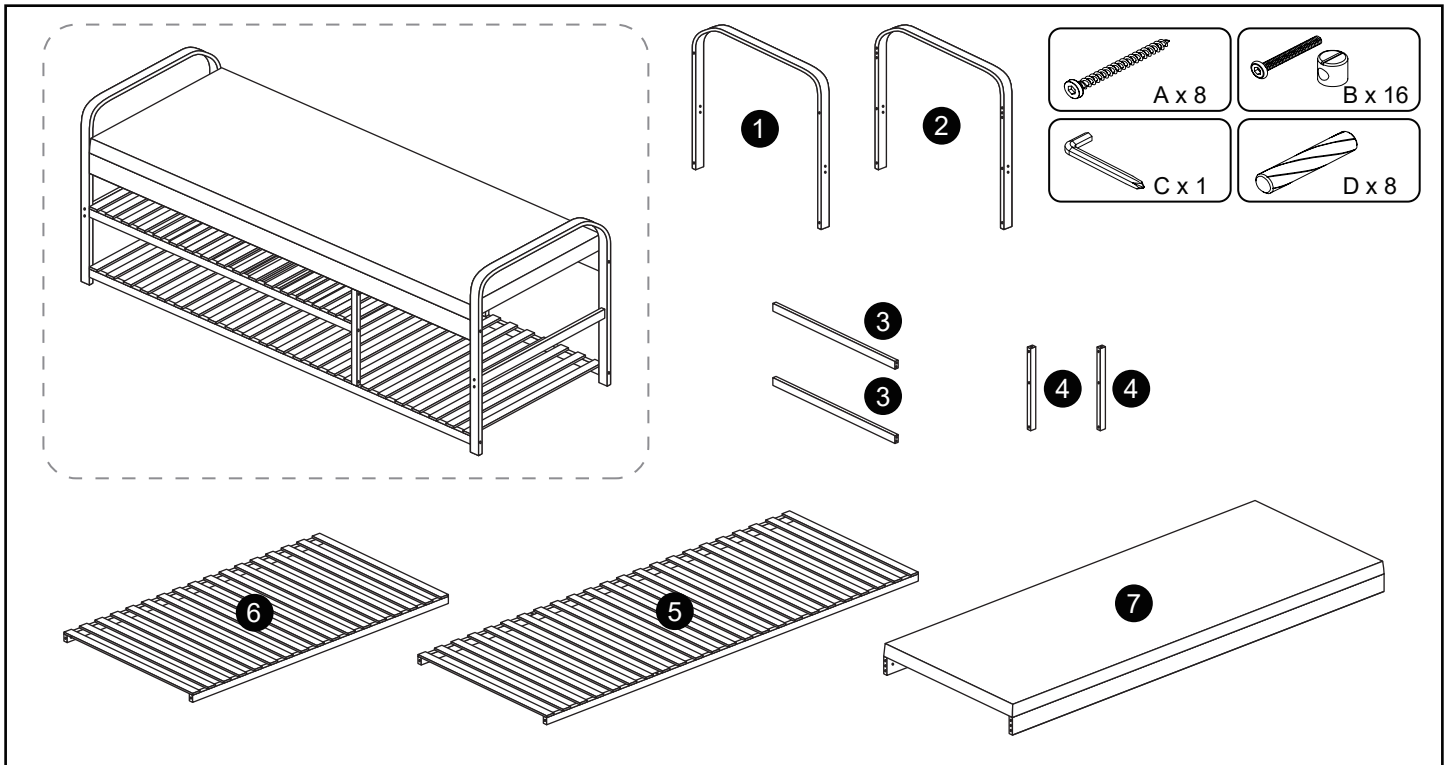
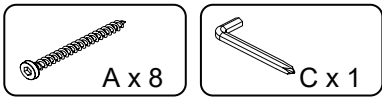
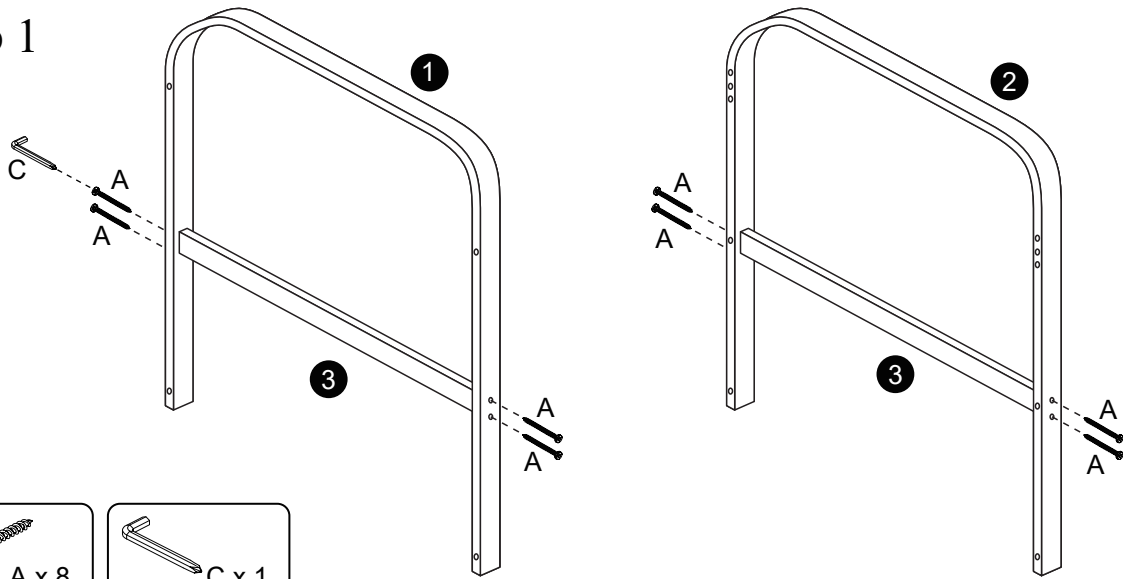


ASSEMBLY INSTRUCTIONS

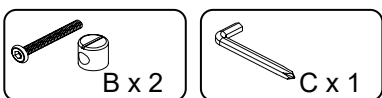
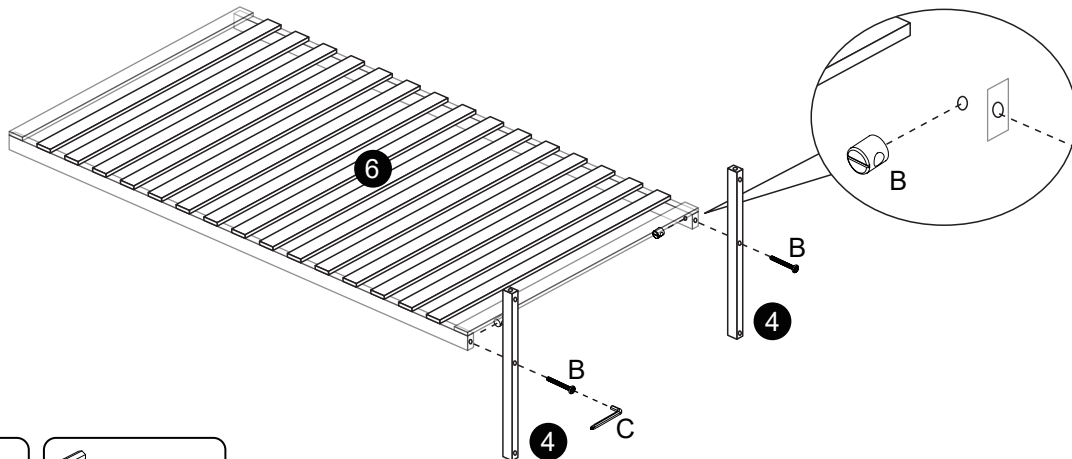
<<Before assembling, read all the instruction>>



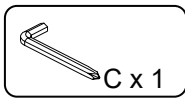
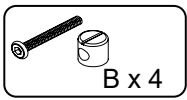
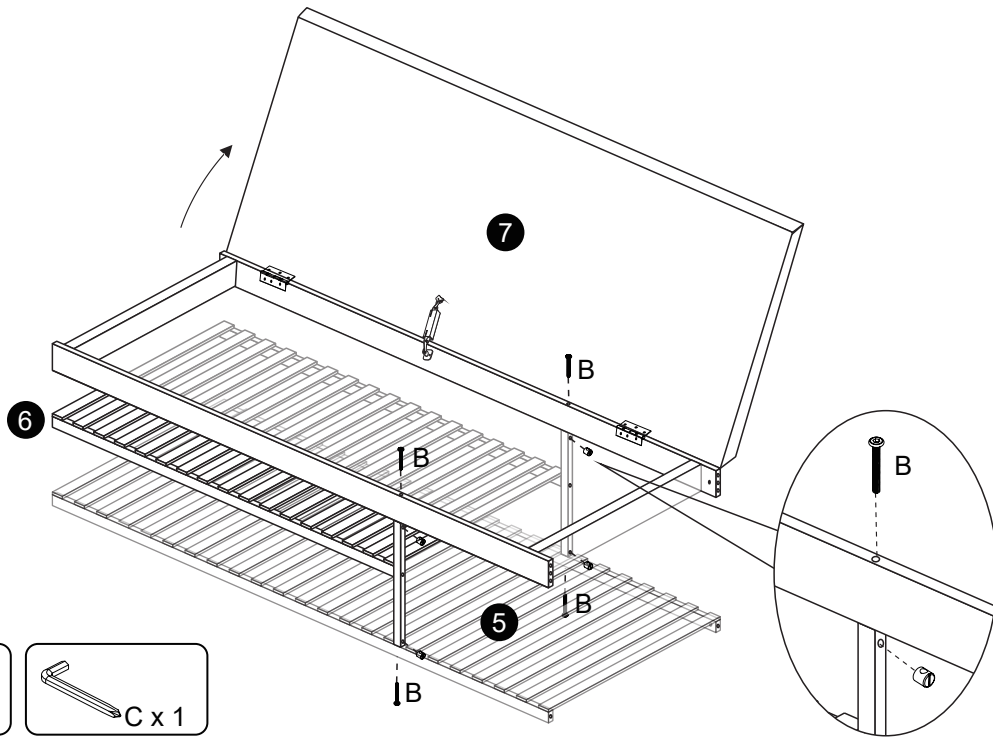
step 1



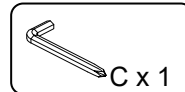
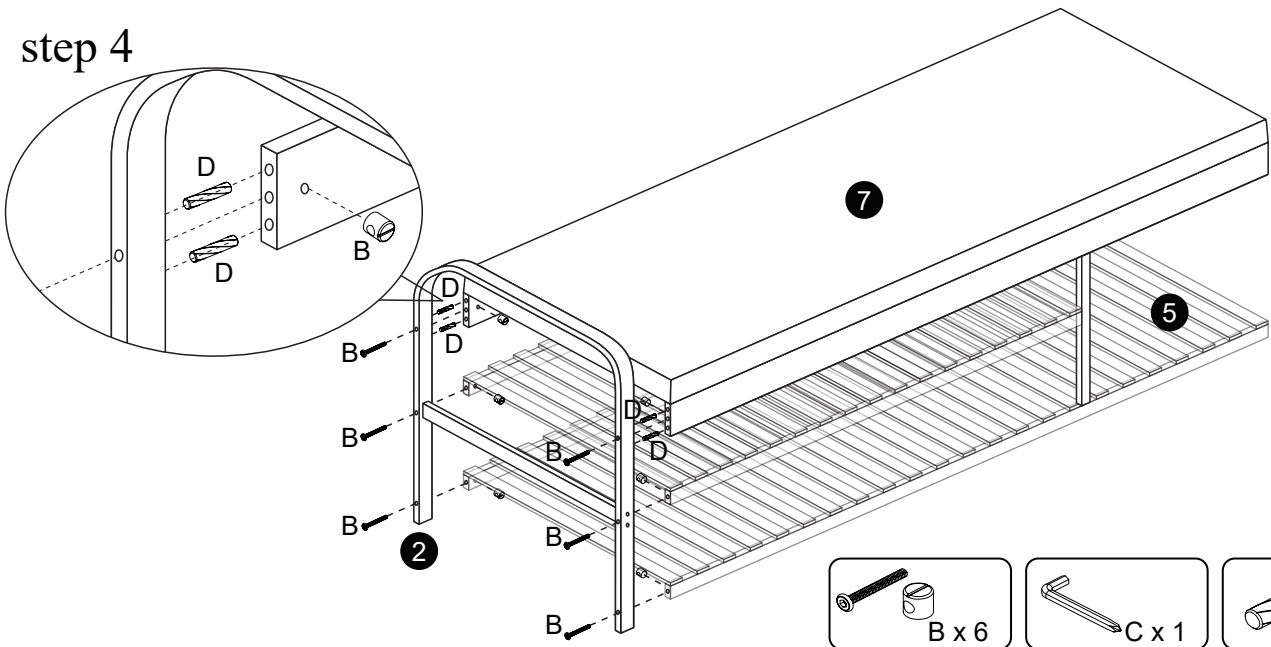
step 2



step 3



step 4



step 5

