

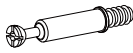



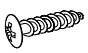
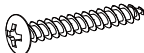


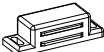






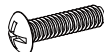



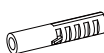




MADE IN CHINA

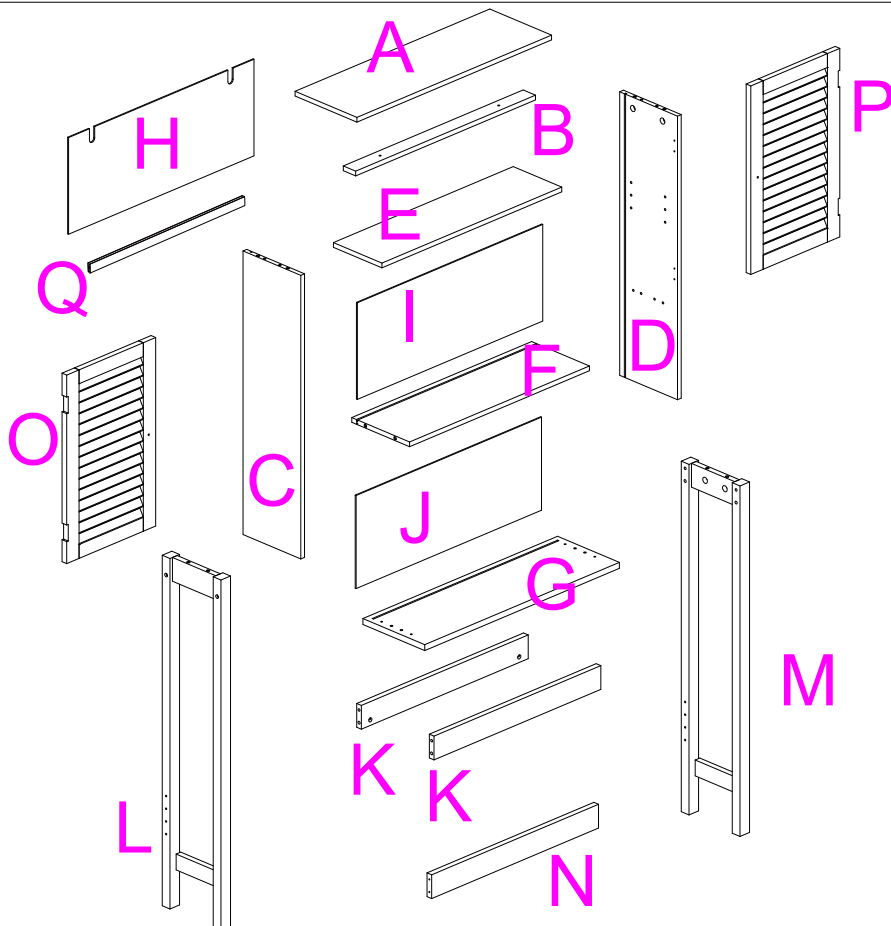
**WARNING:**

FURNITURE TIP-OVER CAN CAUSE SERIOUS OR FATAL INJURIES. TO PREVENT TIP-OVER, THIS ITEM MUST BE PERMANENTLY FIXED TO THE WALL. DO NOT OVERLOAD TOP OF THE SHELF.

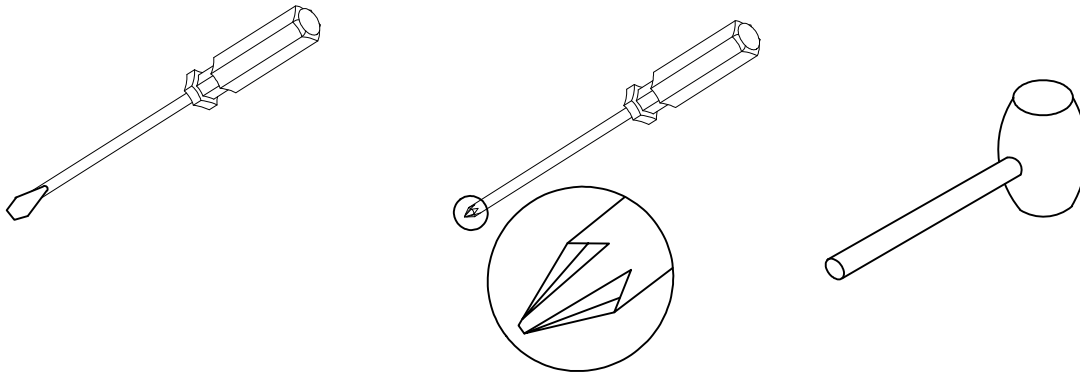
### Hardware Provided

1		12PCS	2		12PCS
3		16PCS	4		2PCS
5		2PCS	6		6PCS
7		4PCS	8		18PCS
9		1PC	10		2PCS
11		2PCS	12		4PCS
13		4PCS	14		4PCS
15		4PCS	16		2PCS
17		12PCS	18		12PCS
19		2PCS	20		2PCS
21		2PCS	22		1PC

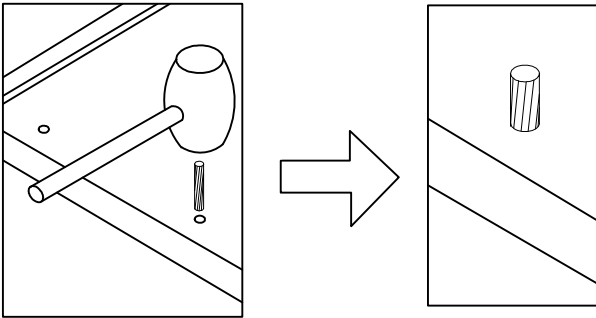
### Parts Identification



## ASSEMBLY TOOLS REQUIRED (NOT INCLUDED)



### Wooden dowel installation

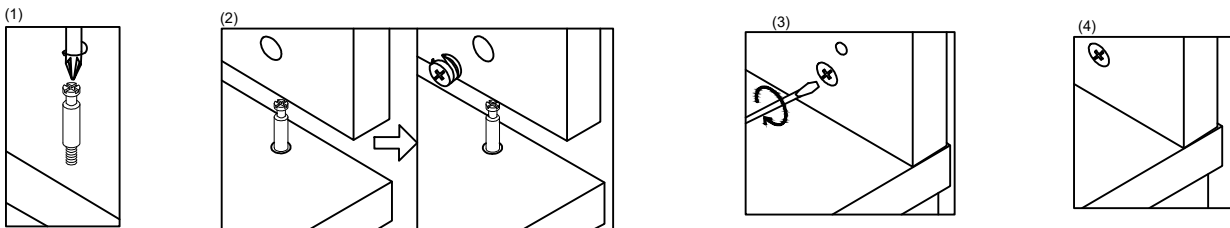


**Gently tap dowel into hole with rubber mallet.**

- \* Before discarding packing materials, please check all parts and hardware are presented.**
- \* Please follow the instructions closely.**
- \* After few days of initial assembly, the product may has acclimated to new environment, please tighten all hardware again.**

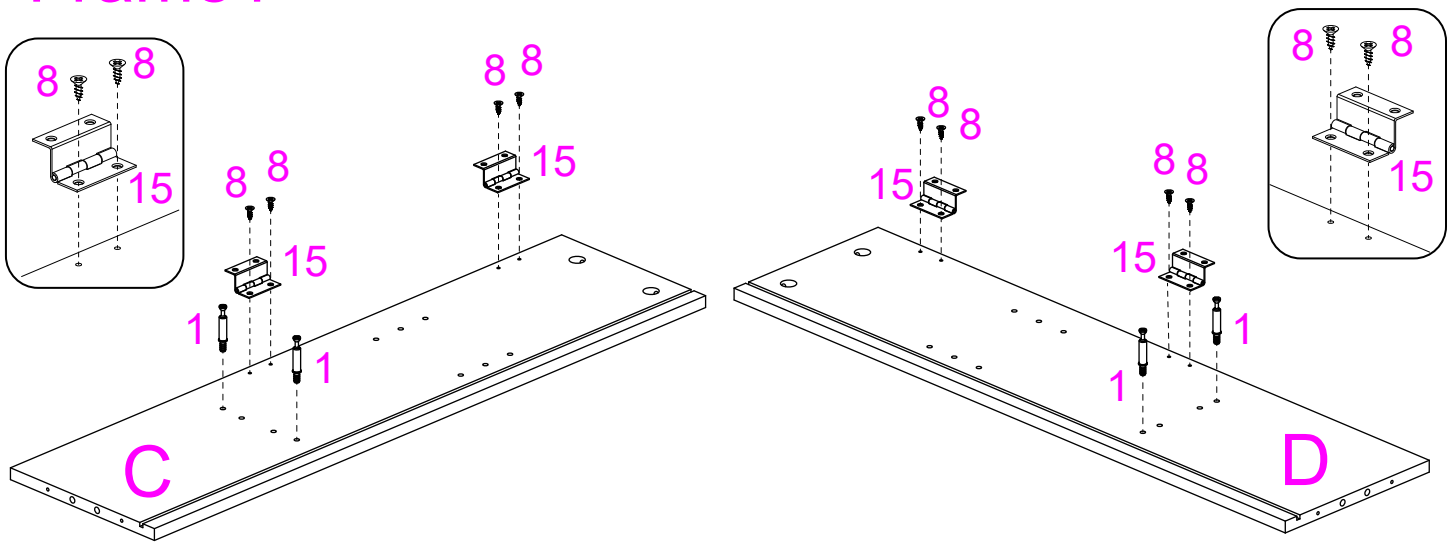
### Hidden connector

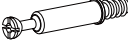


#### Assembly Techniques



# Step 1

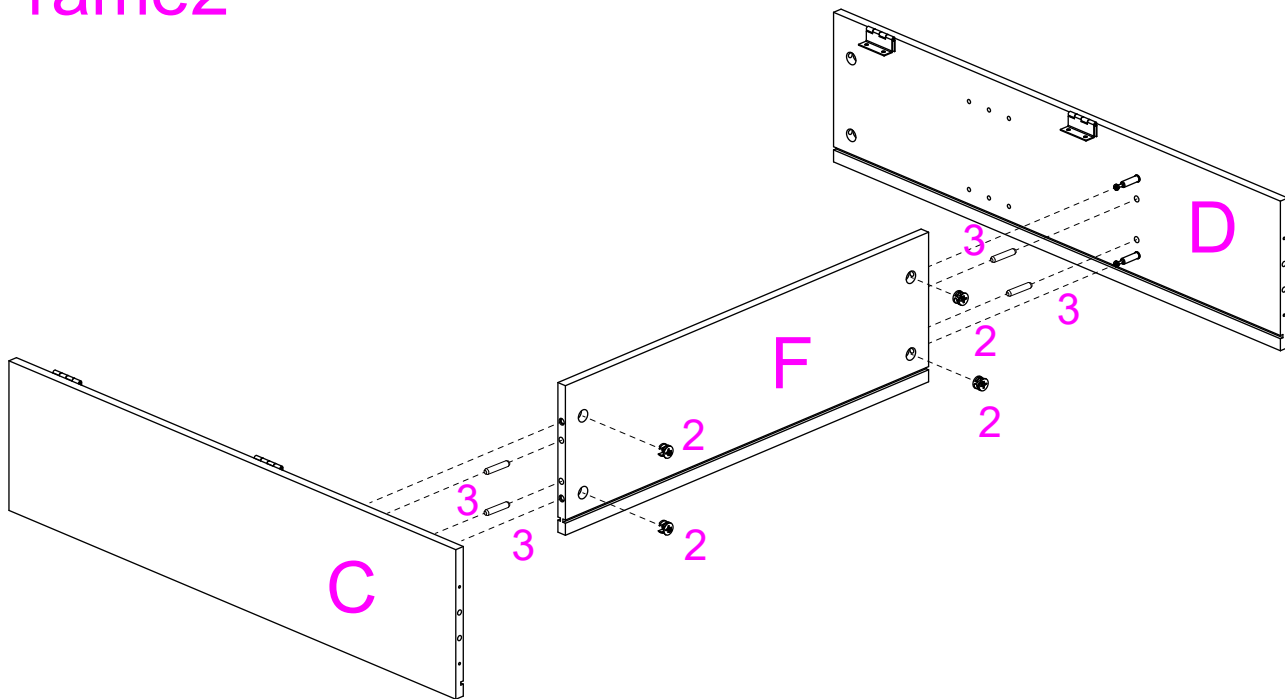
## Frame1





1 =		X 4PCS
8 =		X 8 PCS
15 =		X 4PCS

# Step 2

## Frame2

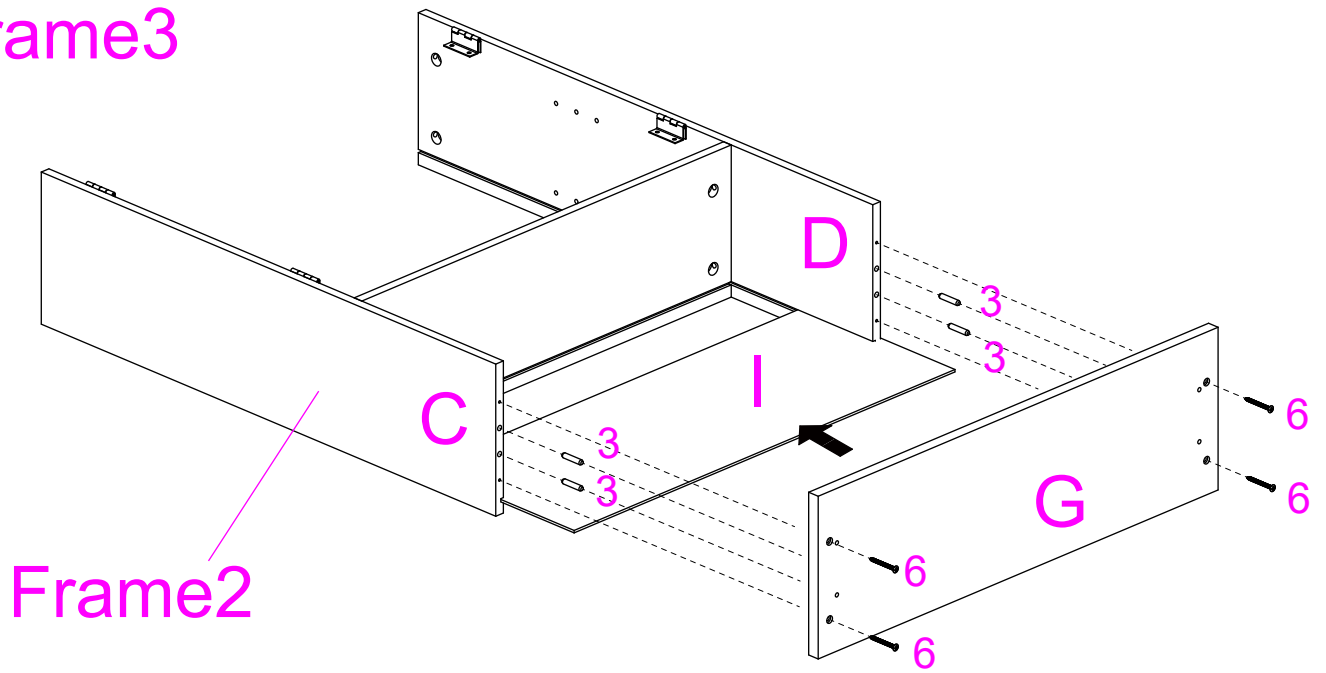


2 =		X 4PCS
3 =		X 4PCS

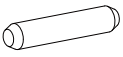
MADE IN CHINA

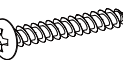
### Step 3

Frame3



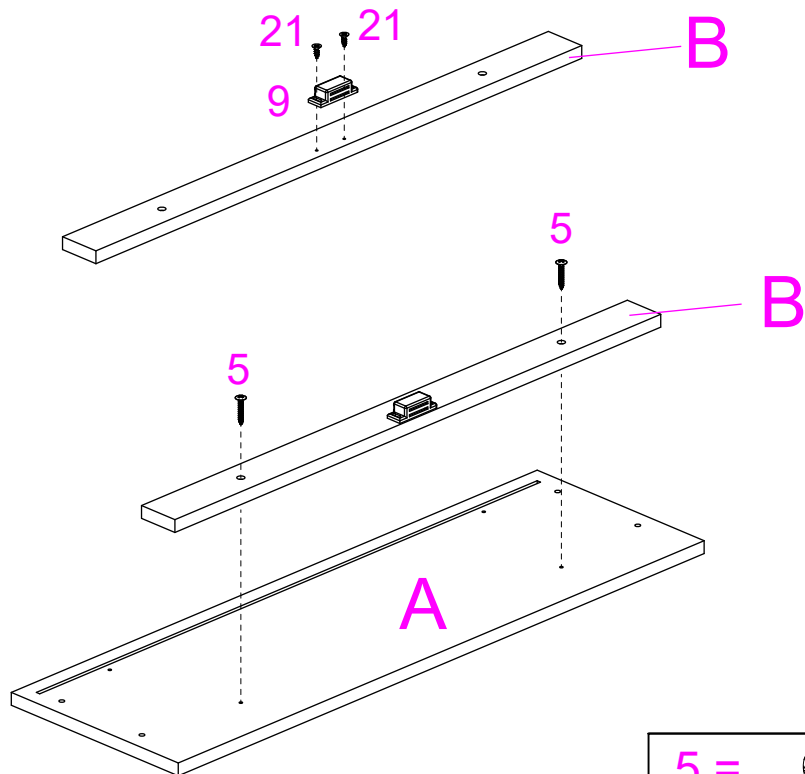
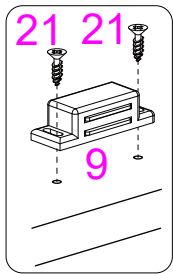
Frame2

3 =  X 4PCS

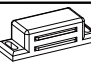
6 =  X 4PCS

### Step 4

Frame4



5 =  X 2PCS

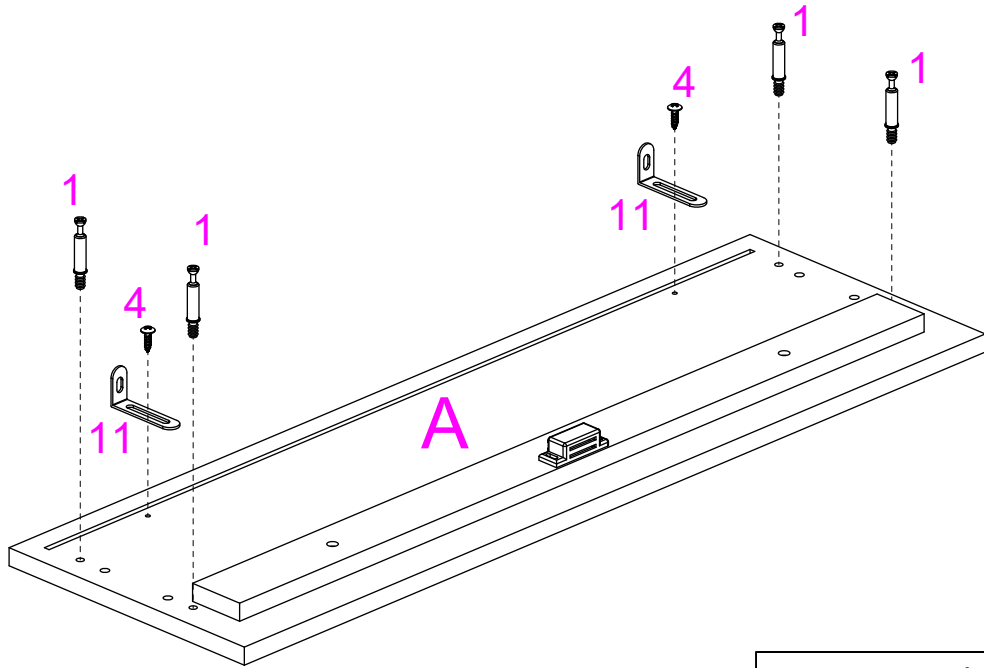
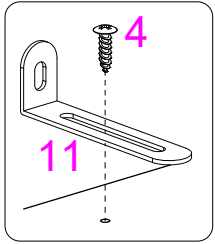
9 =  X 1PC

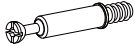


21 =  X 2PCS

MADE IN CHINA

# Step 5

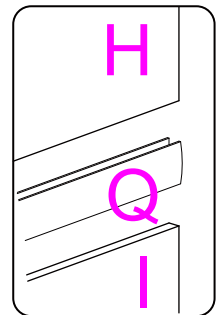
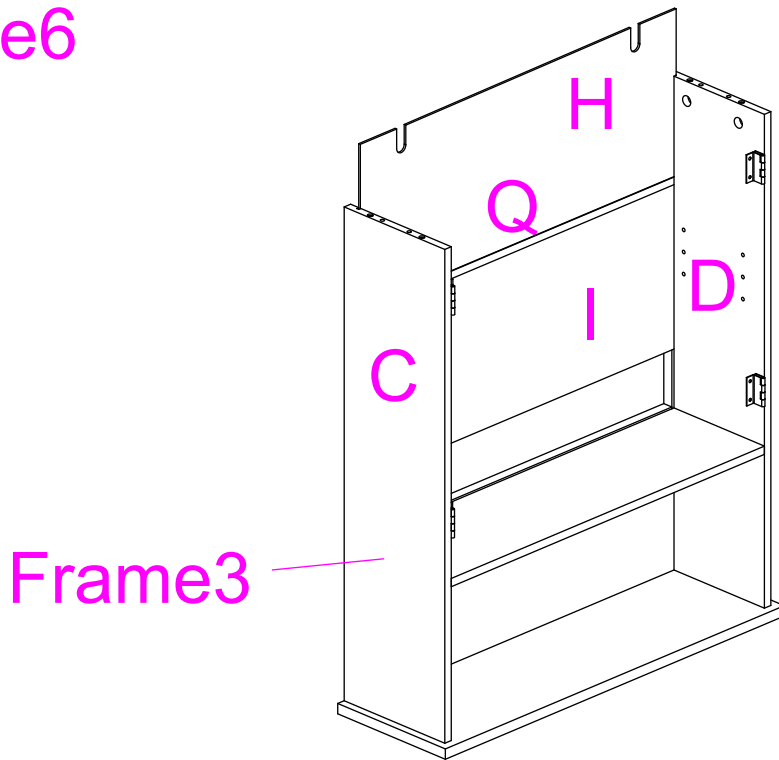
## Frame5



1 =		X 4PCS
4 =		X 2PCS
11 =		X 2PCS

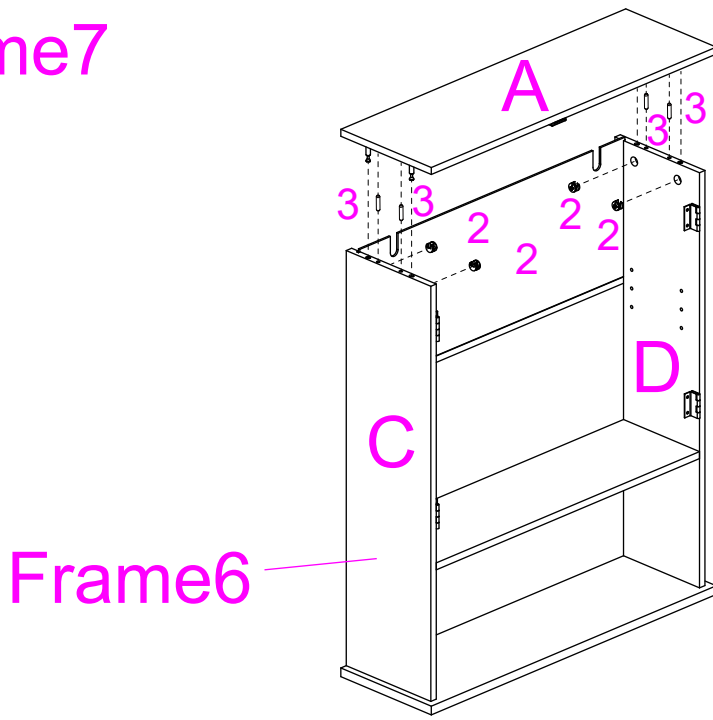
# Step 6

## Frame6



# Step 7

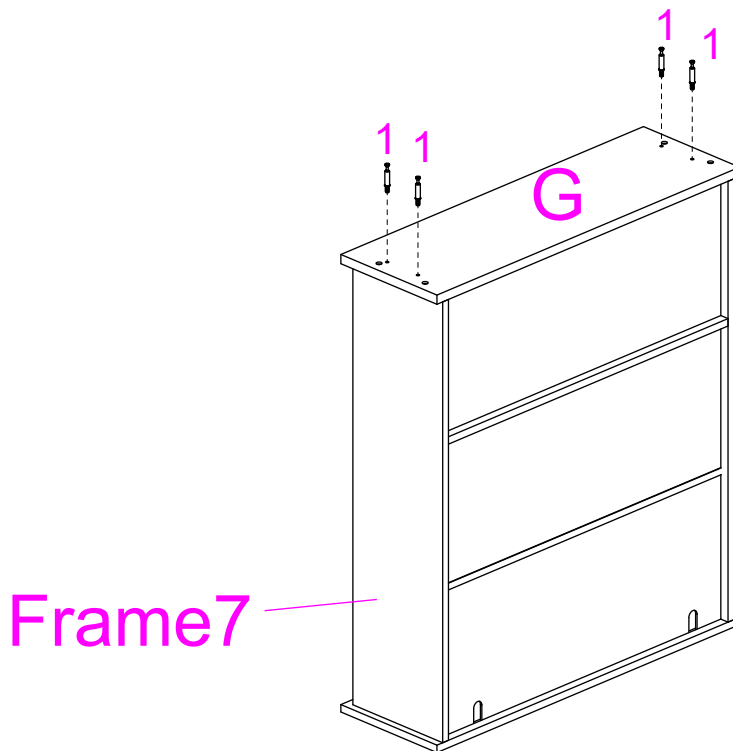
Frame7

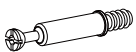


2 =  X 4PCS

3 =  X 4PCS

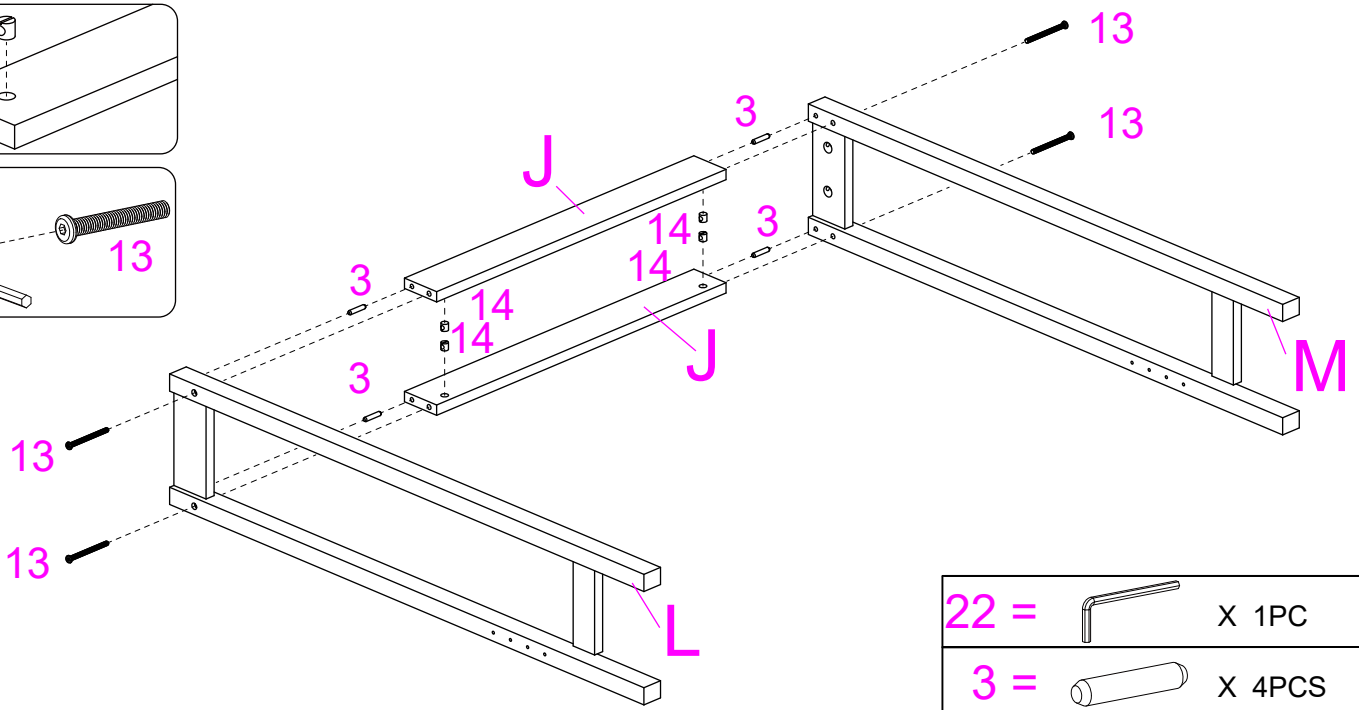
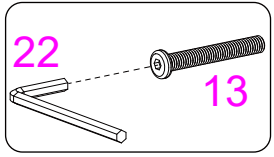
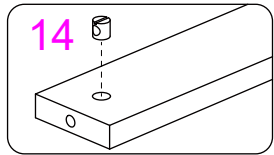
# Step 8



1 =  X 4PCS

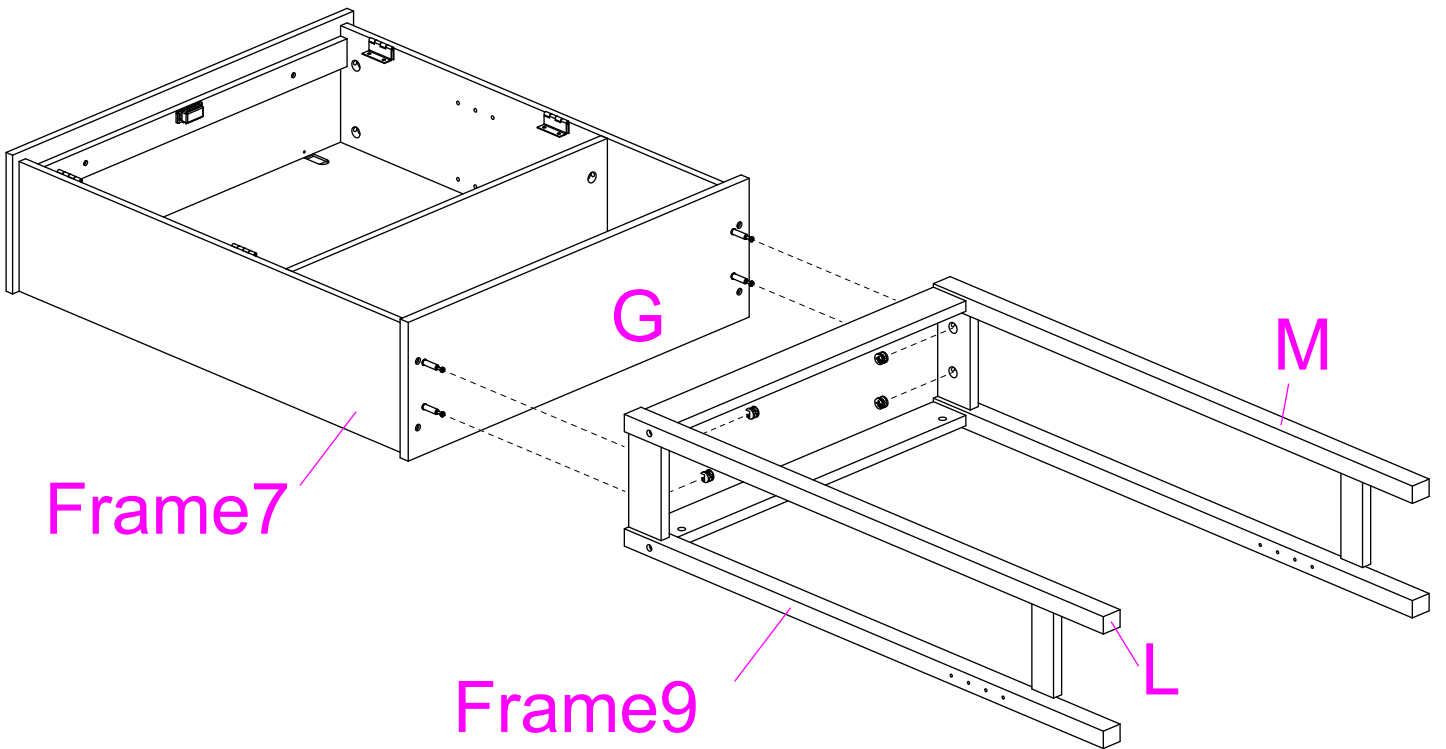
MADE IN CHINA

# Step 9



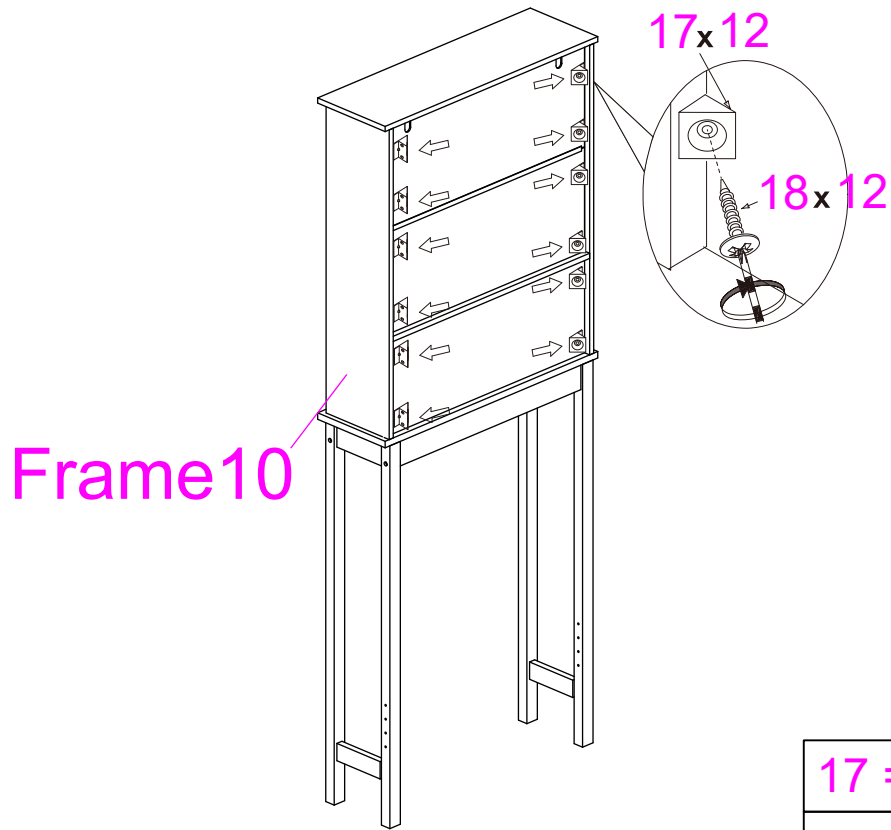
22 =		X 1PC
3 =		X 4PCS
13 =		X 4PCS
14 =		X 4PCS

# Step 10



2 =		X 4PCS
-----	--	--------

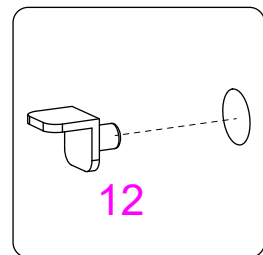
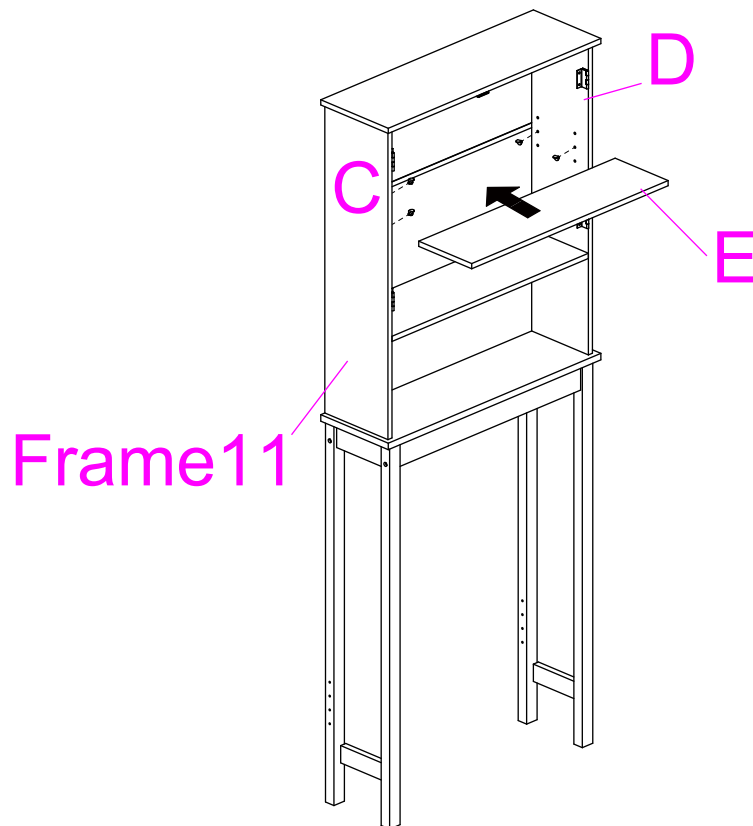
# Step 11



17 =  X 12PCS

18 =  X 12PCS

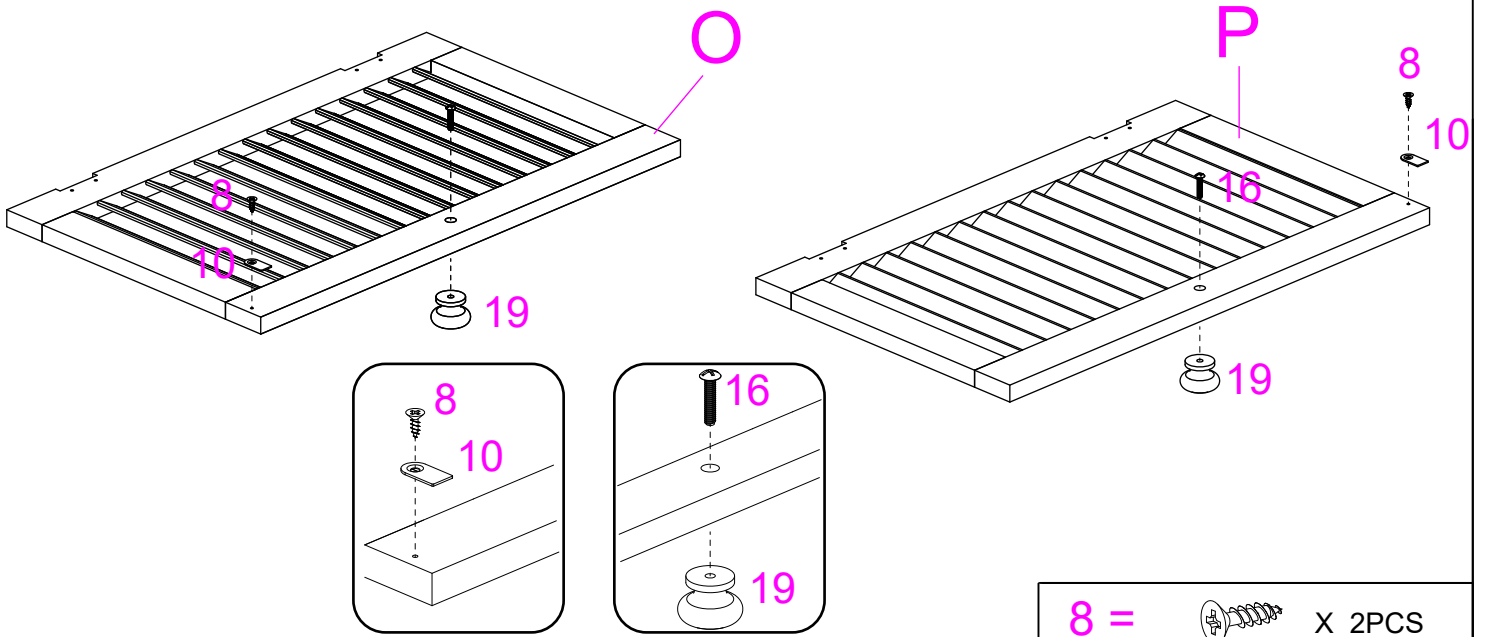
# Step 12







12 =  X 4PCS

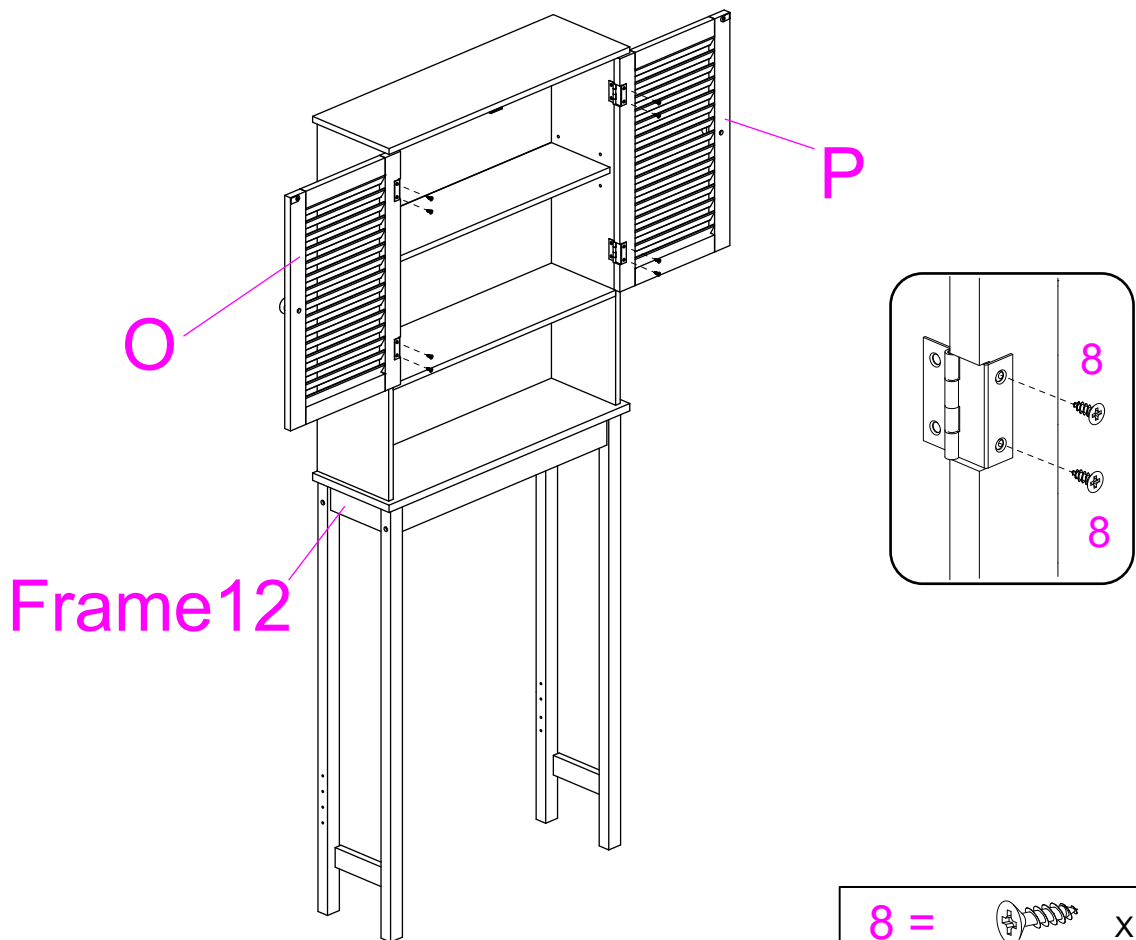
MADE IN CHINA


# Step 13



8 =		X 2PCS
10 =		X 2PCS
16 =		X 2PCS
19 =		X 2PCS

# Step 14



8 =		X 8PCS
-----	---	--------

# Step 15

Frame14

N

7  
7

7  
7

7 =



X 4PCS

# Step 16

20

20

6

6

step 1

11

step 2

step 3

20

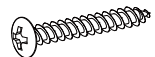
step 4

11

20

6

6 =



X 2PCS

20 =



X 2PCS

MADE IN CHINA