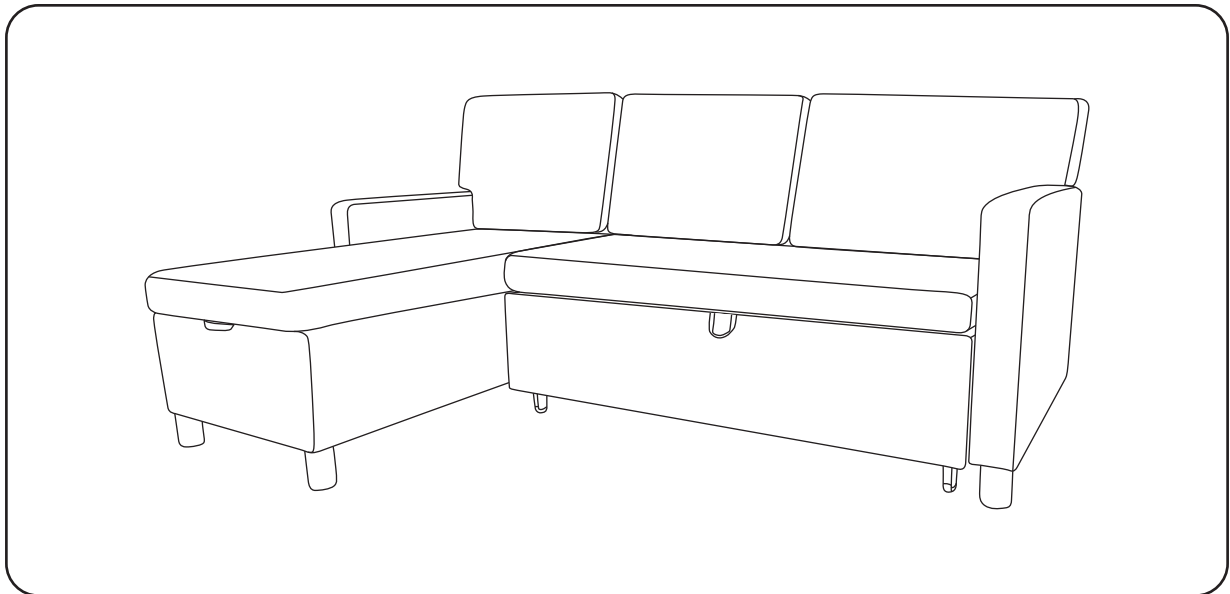
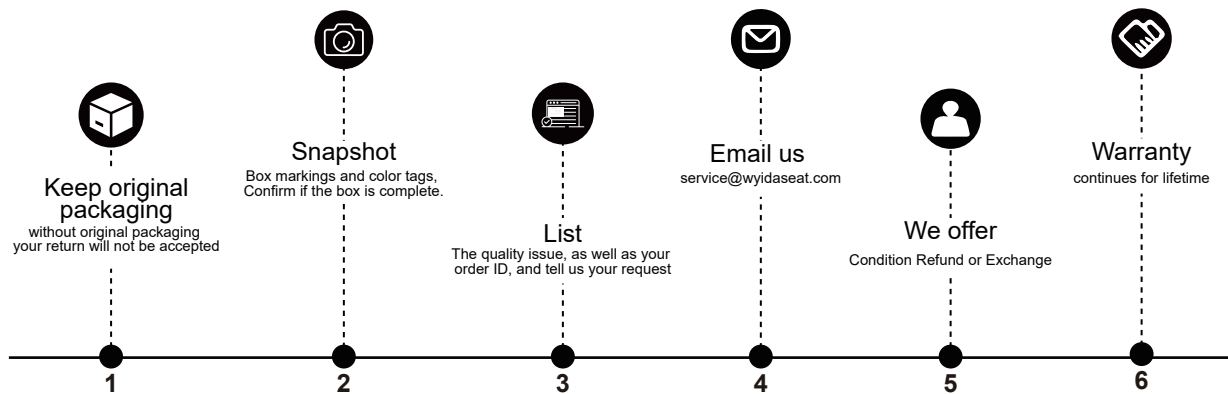


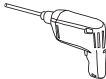


Assembly Instructions & User's Manual for Modular Sofa

The Quickest Refund and Exchange Progress



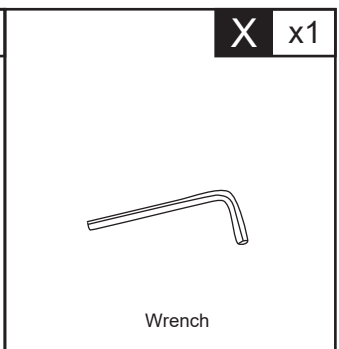
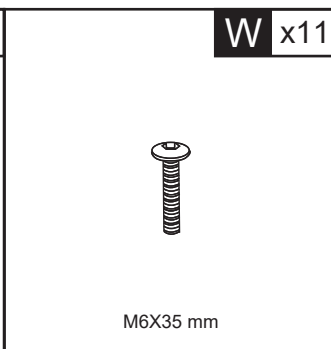
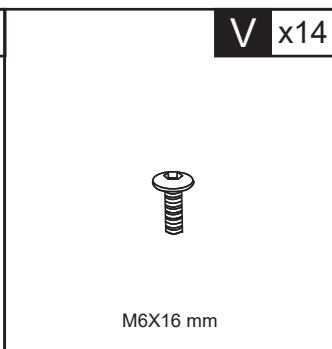
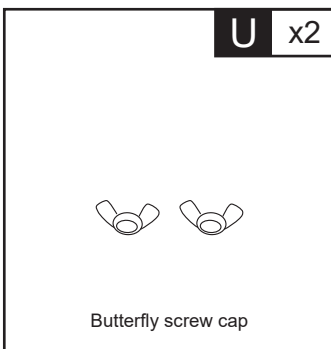
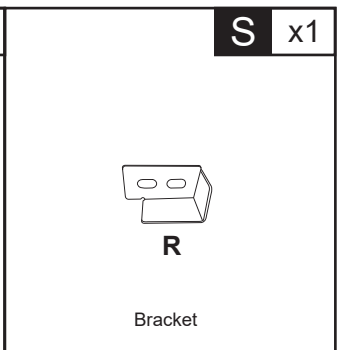
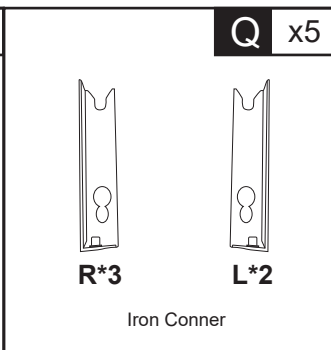
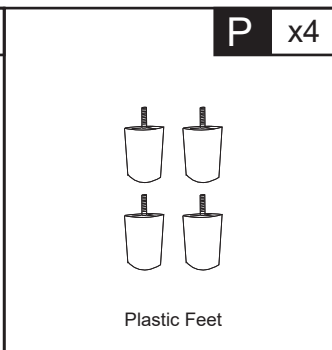
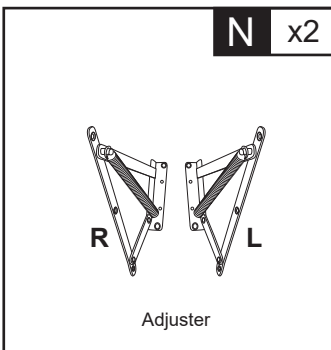
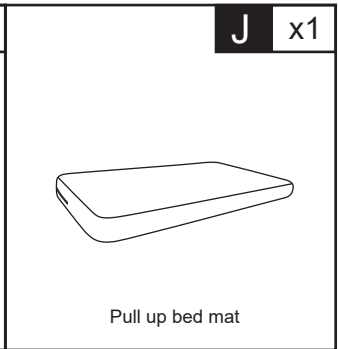
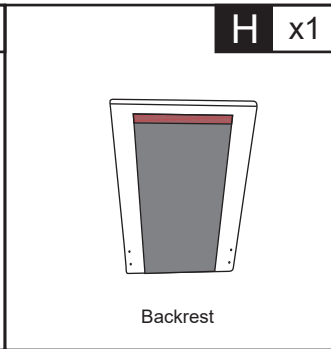
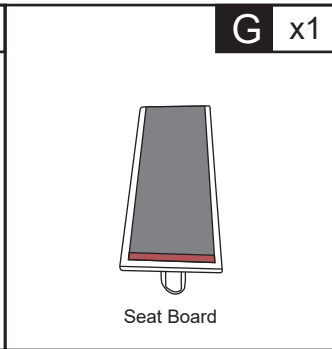
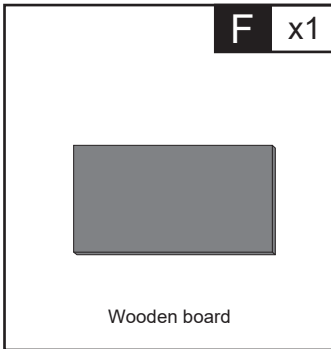
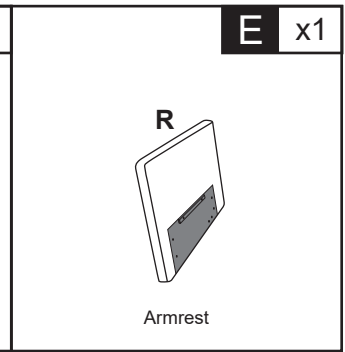
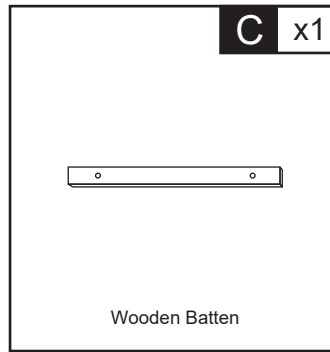
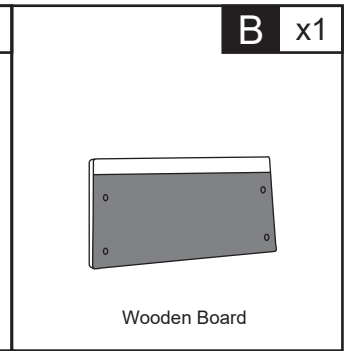
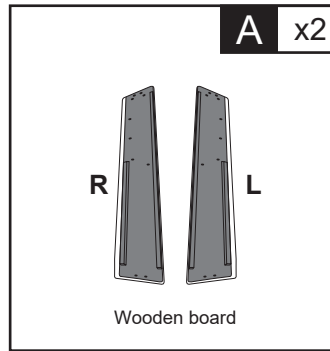
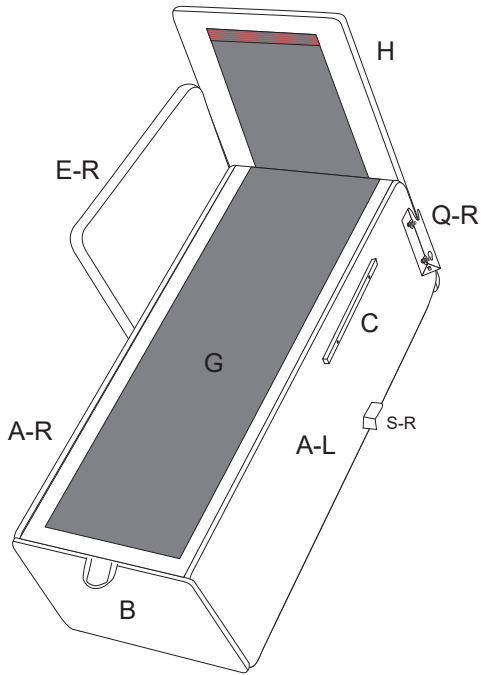
 2PERS	 40 MIN	<u>Tool Required Not Provided</u> 
--	---	--



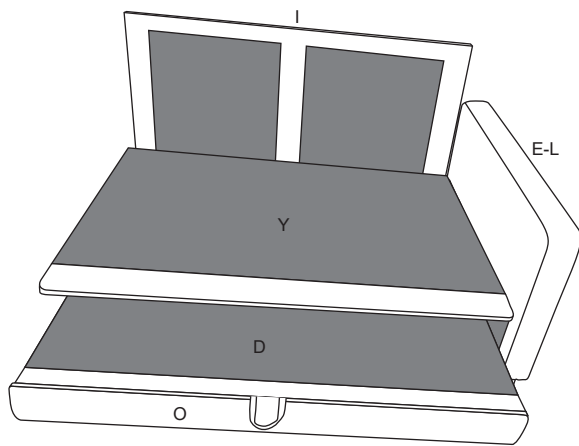
NOTICE

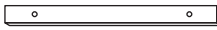
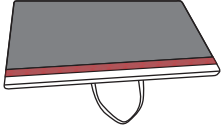
1. Please read these instructions fully before starting assembly. Check you have all the components and tools listed on pages. Keep the instructions for later reference. Parts of the assembly will be easier with 2 people. Seek professional assistance if necessary.
2. Please place all parts on a flat surface. Place a soft blanket or similar underneath to protect against scratches or stains. Avoid dragging or sliding components across the floor.
3. Regularly check all fittings and fastenings to ensure they are secure and to prevent accidents. If any parts are missing, broken, damaged, or worn, discontinue use of the product until repairs have been made using factory authorized parts.
4. Do not place furniture close to fire sources or high-temperature objects to avoid the risk of fire. Do not place furniture in damp environments to prevent material damage.
5. Clean furniture with a damp cloth, avoid using cleaning agents containing corrosive chemicals.
6. Do not allow children to climb on the furniture as this may result in tipping and serious personal injury. Assemble the furniture away from the reach of children.
7. The sponge and cloth may be squeezed and deformed during transportation. Please don't worry. After you take it out of the bag, you can gently pat the sponge to speed up the recovery of elasticity. Or leave it for a few days, it can recover to its original elasticity.
8. Fabrics can fade or change color in direct sunlight. Minimize direct sunlight exposure to extend the life of your furniture.

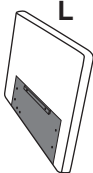
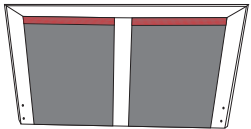
Storage Chaise part list



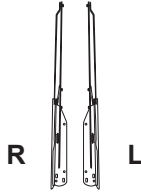
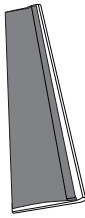


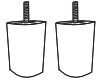

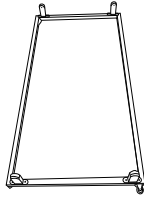
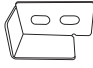
Pull Out Bed part list

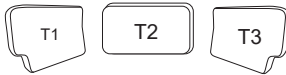


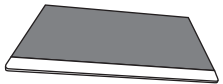


<p>C x1</p>  <p>Wooden Batten</p>	<p>D x1</p>  <p>Wooden Board</p>
--	--

<p>E x1</p>  <p>Armrest</p>	<p>I x1</p>  <p>Backrest</p>
--	--

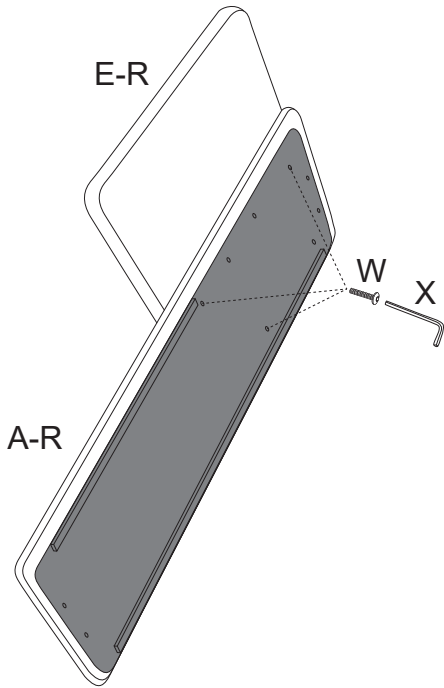
<p>K x1</p>  <p>Noble Consort Mat</p>	<p>L x1</p>  <p>Pulling bed cushion</p>	<p>M x2</p>  <p>Wooden Board</p>	<p>O x1</p>  <p>Wooden board</p>
---	---	--	---

<p>P x2</p>  <p>Plastic Feet</p>	<p>Q x1</p>  <p>L*1</p> <p>Iron Conner</p>	<p>R x1</p>  <p>Iron Fram</p>	<p>S x1</p>  <p>L</p> <p>Bracket</p>
--	---	--	---

<p>T x3</p>  <p>Body pillow</p>	<p>V x20</p>  <p>M6X16 mm</p>	<p>W x2</p>  <p>M6X35 mm</p>	<p>Y x1</p>  <p>Wooden board</p>
---	---	--	--

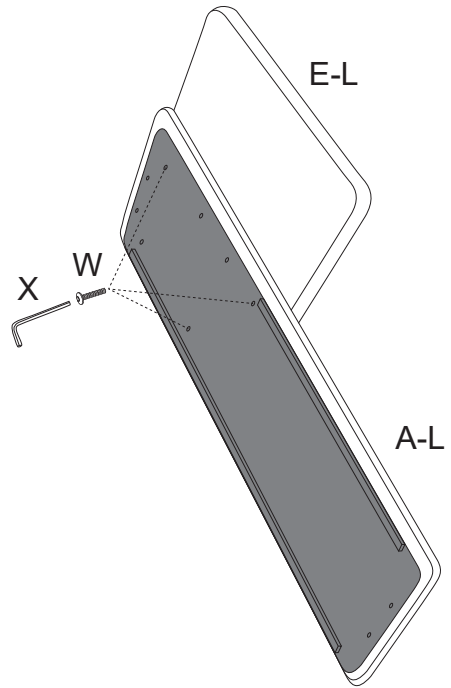
- A** x 1
- E** x 1
- W** x 3
- X** x 1

RIGHT



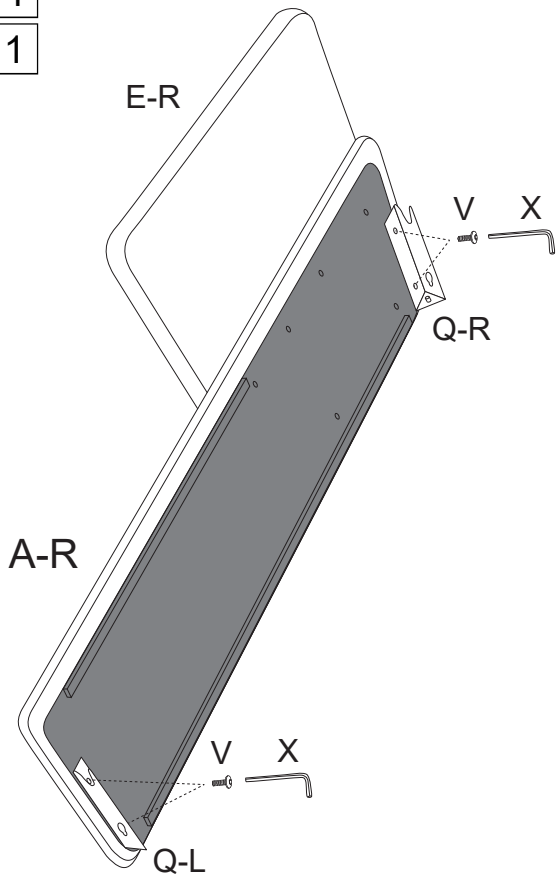
OR

LIFT



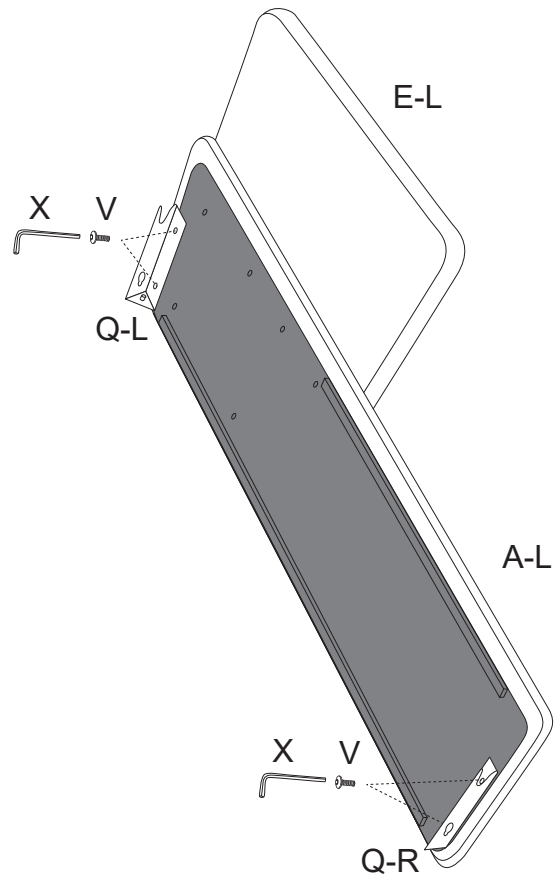
- Q** x 2
- V** x 4
- X** x 1

RIGHT

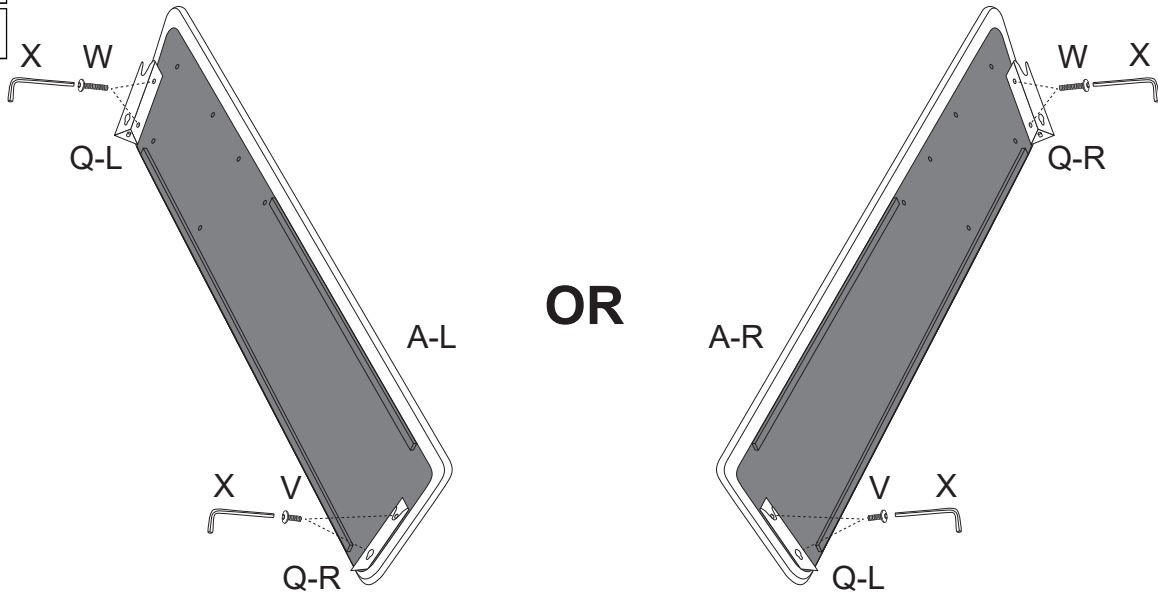


OR

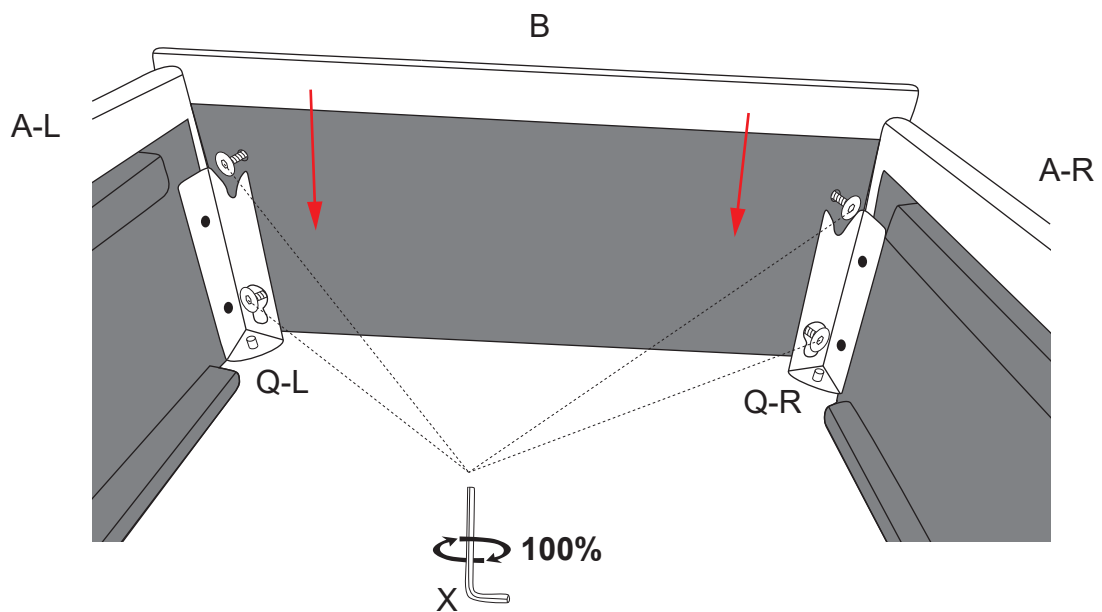
LIFT



- A** x 1
- Q** x 2
- V** x 4
- W** x 4
- X** x 1



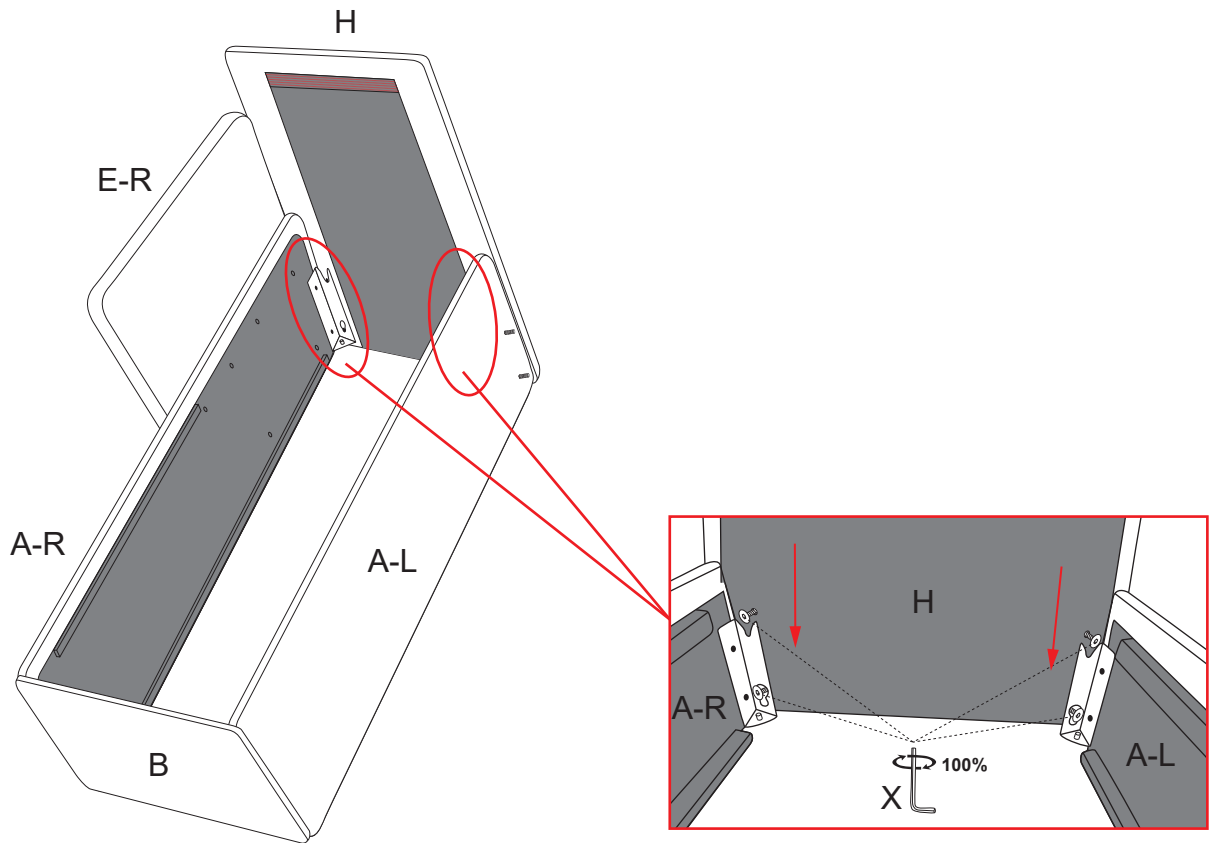
- B** x 1
- X** x 1



H x 1

X x 1

05



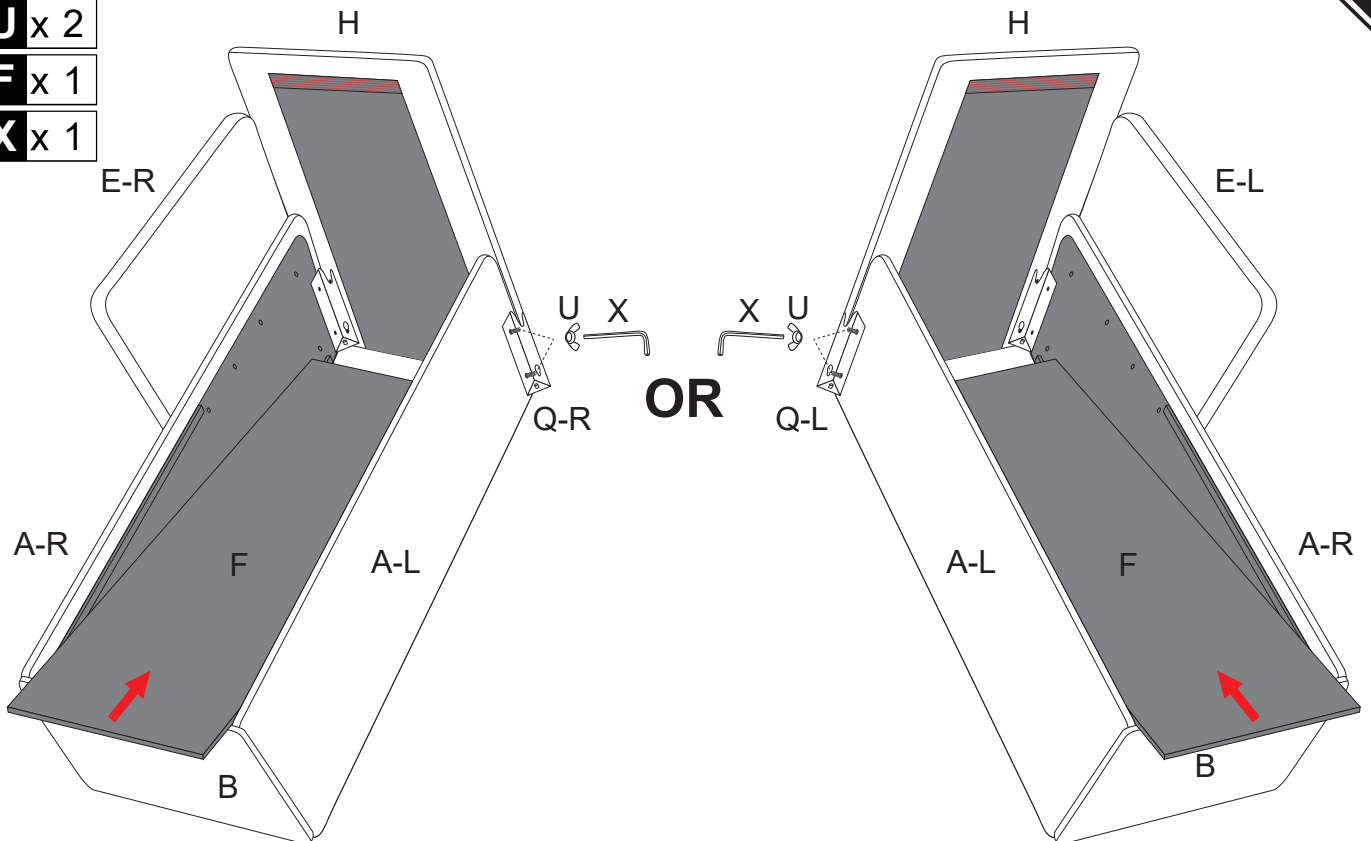
Q x 1

U x 2

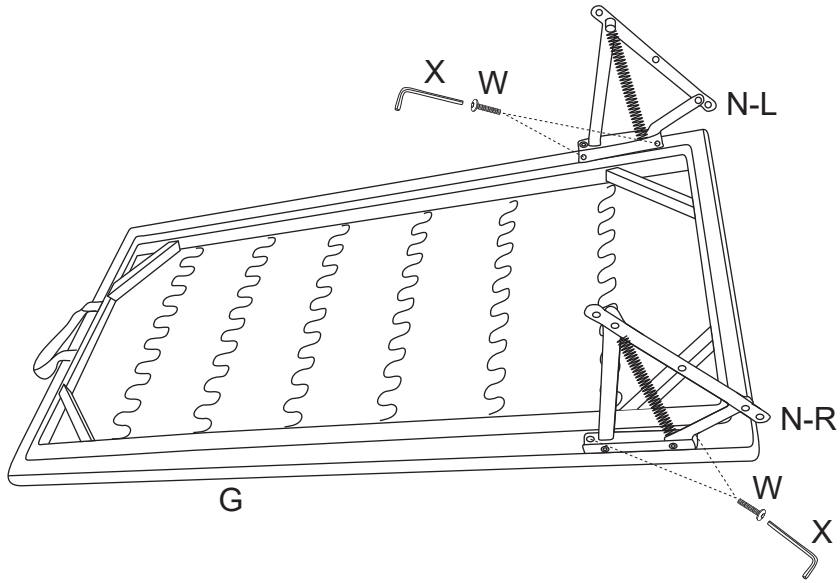
F x 1

X x 1

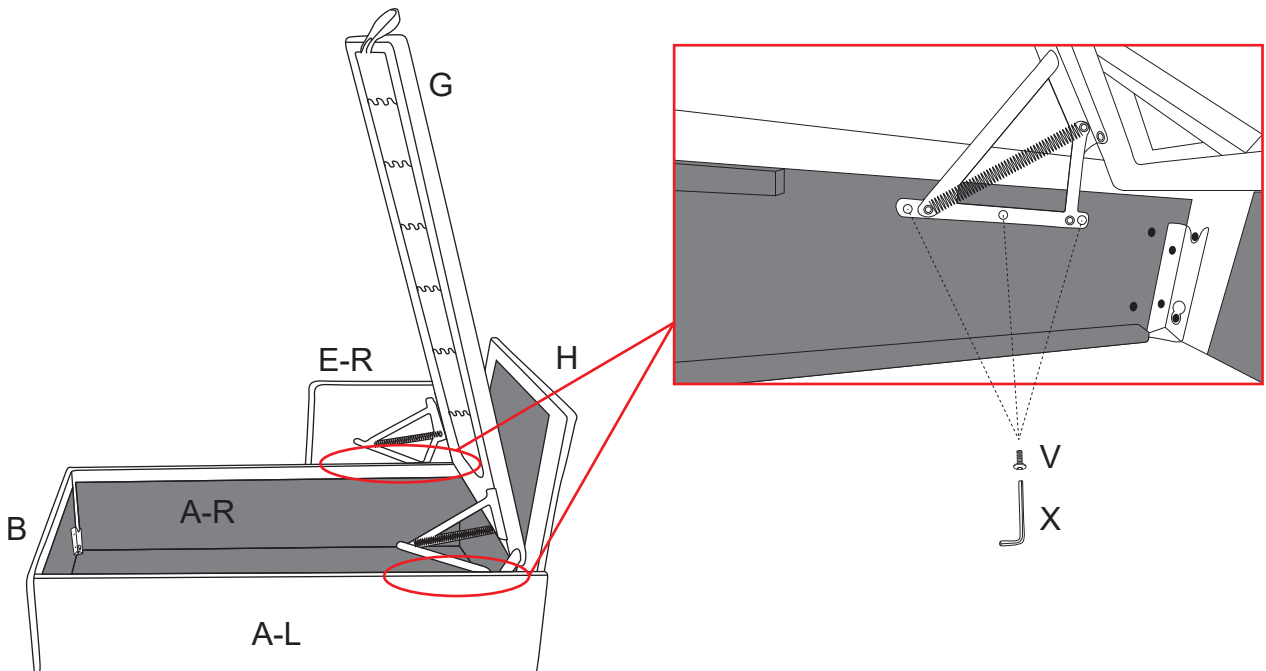
06

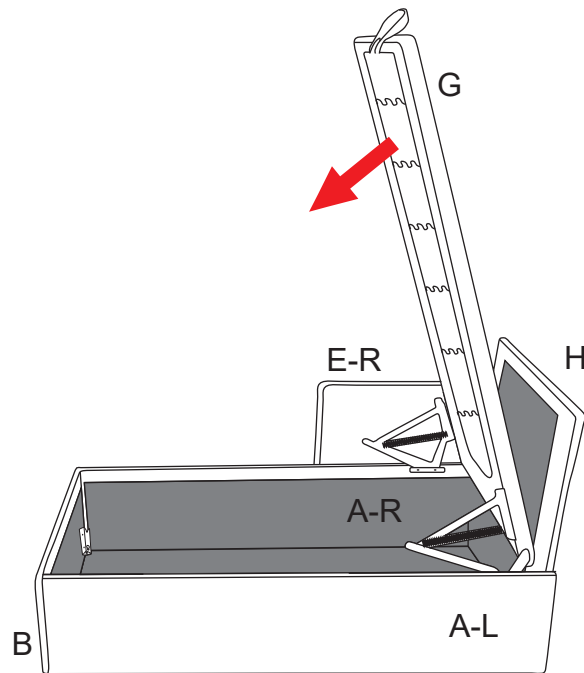
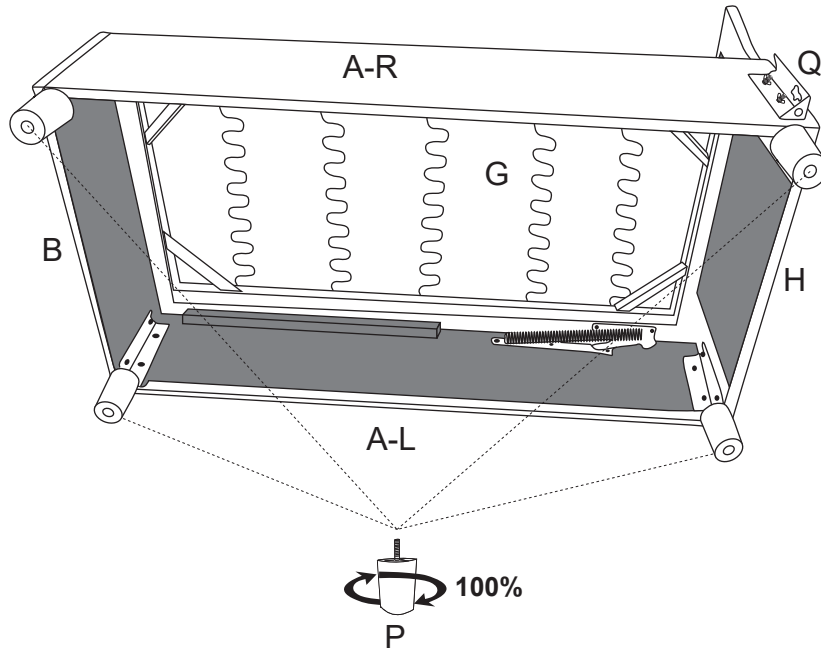


- G** x 1
- N** x 2
- W** x 4
- X** x 1



- V** x 6
- X** x 1



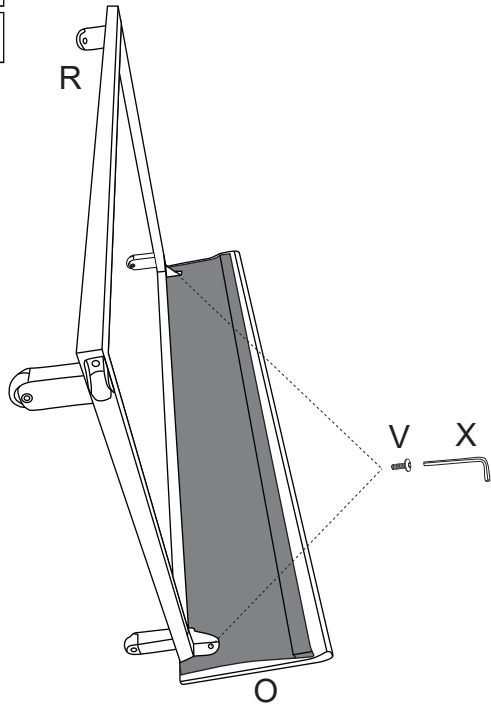


R x 1

O x 1

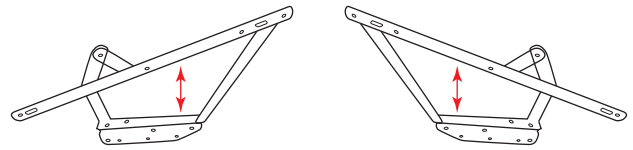
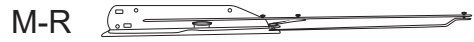
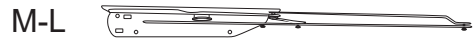
V x 2

X x 1



M x 2

11



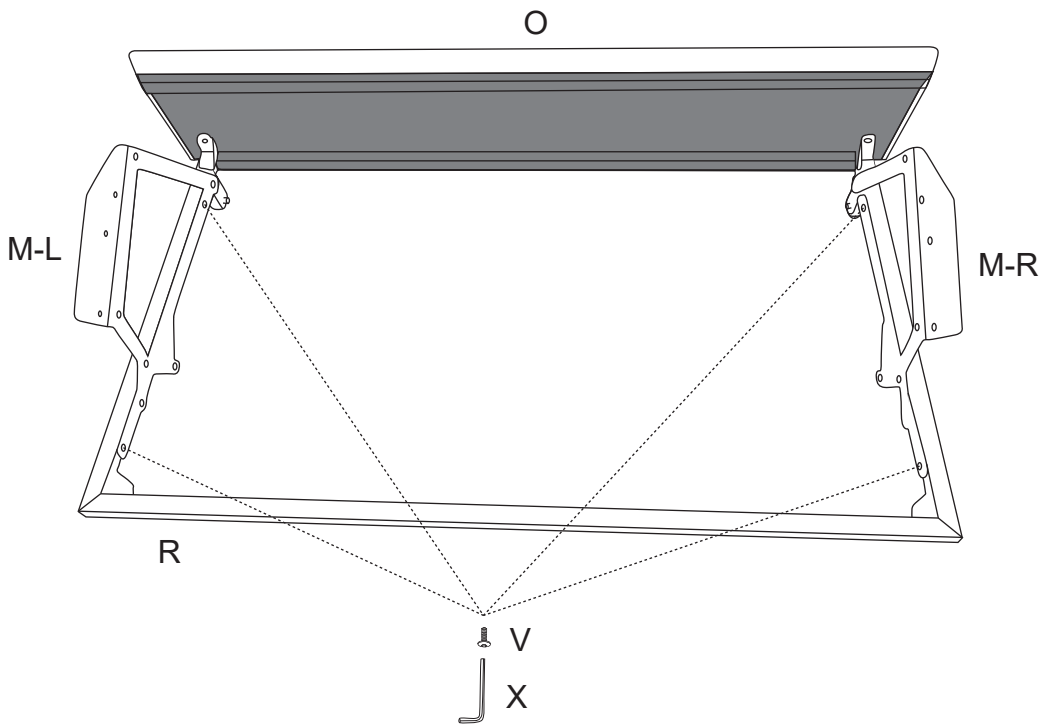
M-L

M-R

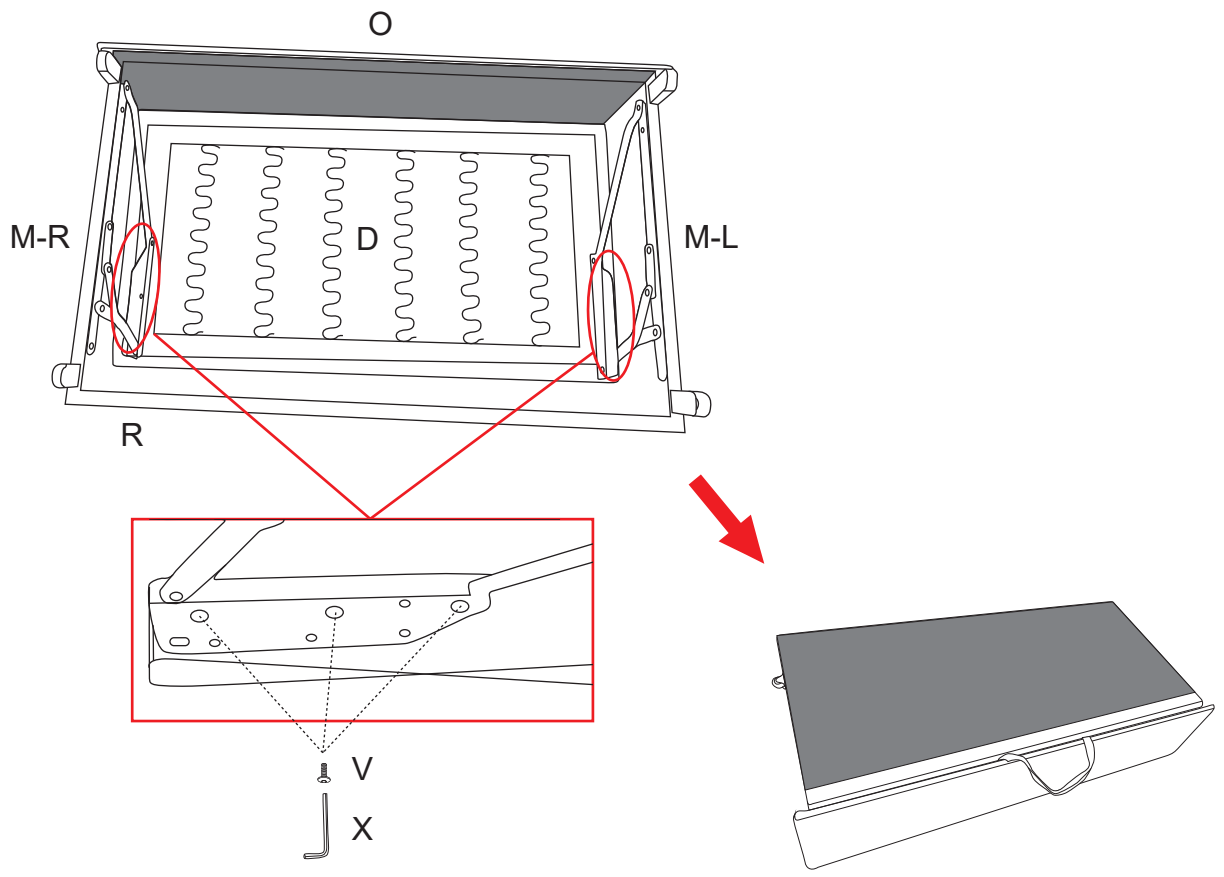
V x 4

X x 1

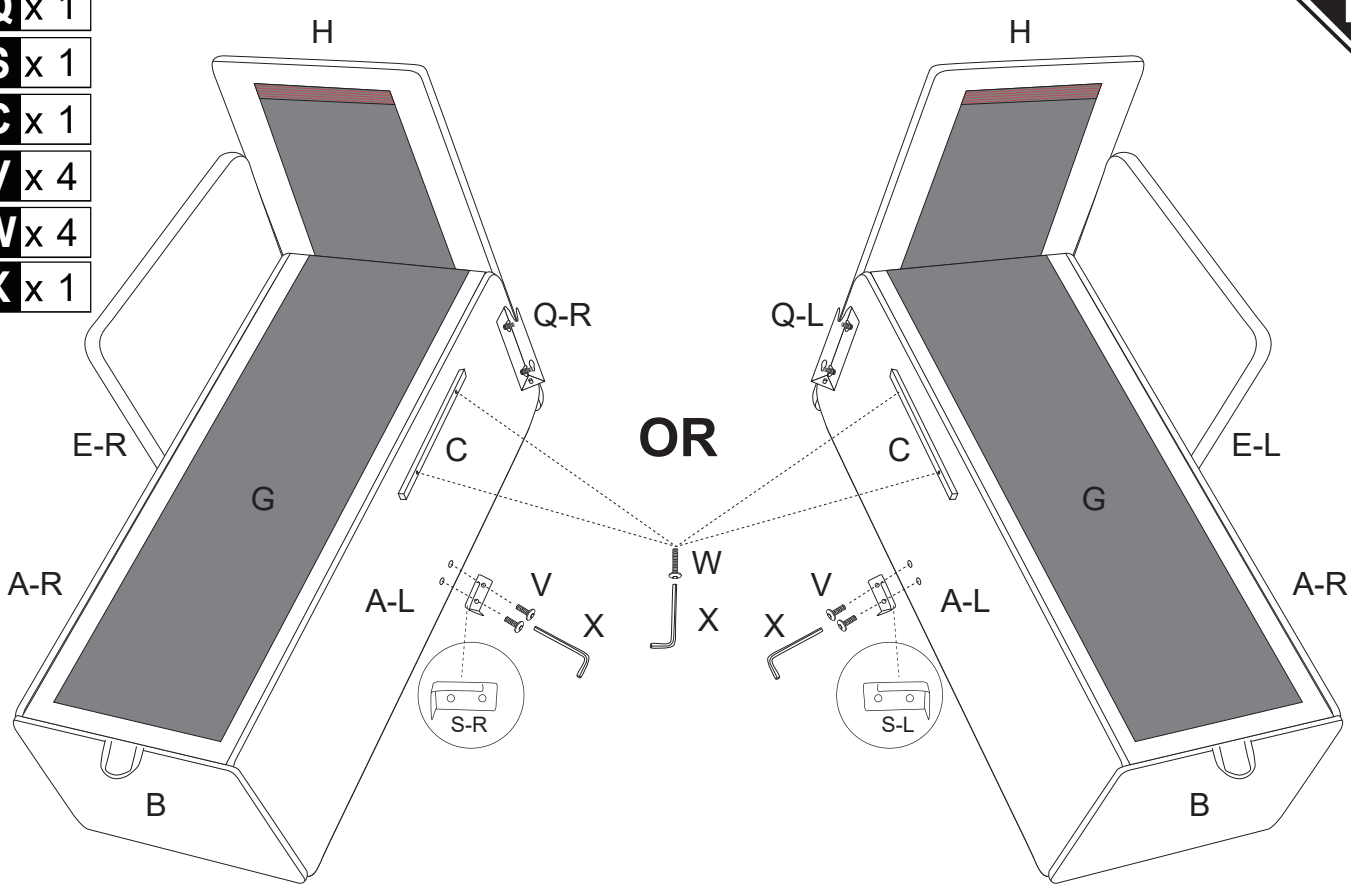
12



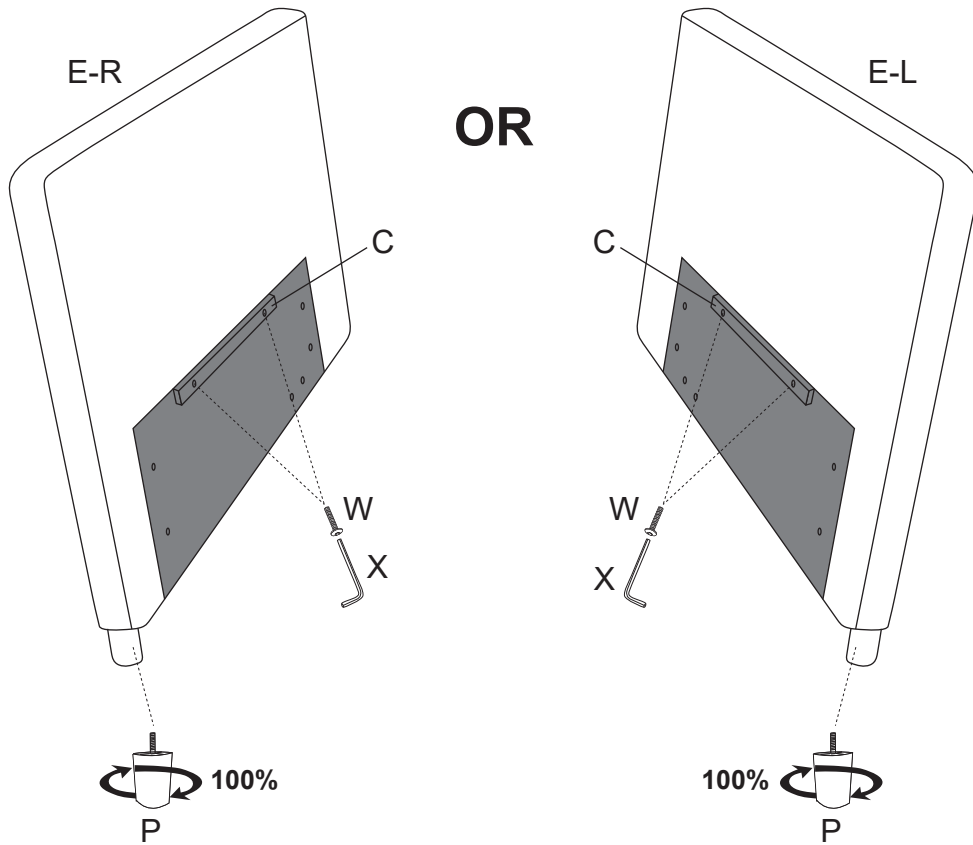
- D** x 1
- V** x 6
- X** x 1



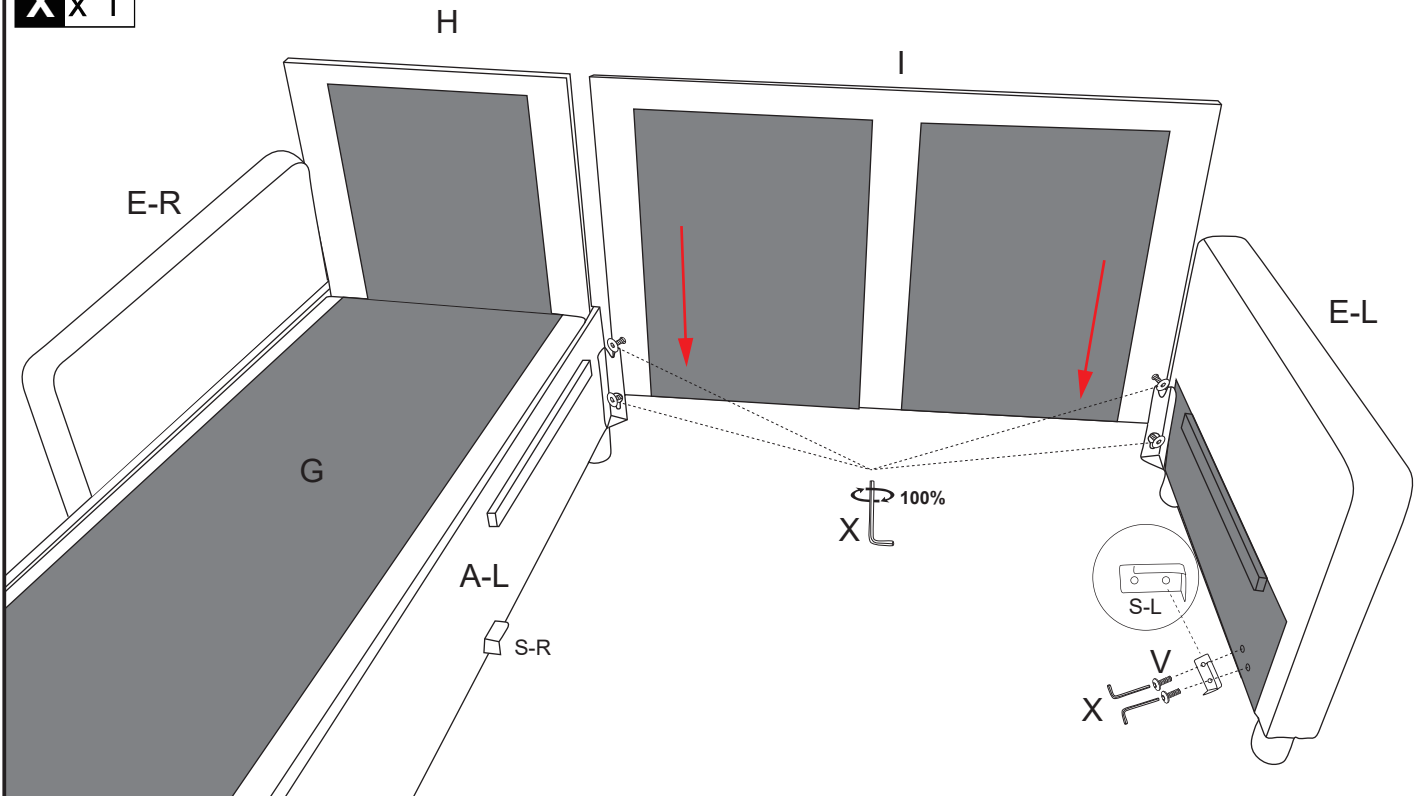
- Q** x 1
- S** x 1
- C** x 1
- V** x 4
- W** x 4
- X** x 1



- E** x 1
- C** x 1
- W** x 2
- X** x 1
- P** x 2



- I** x 1
- S** x 2
- V** x 4
- X** x 1



D x 1

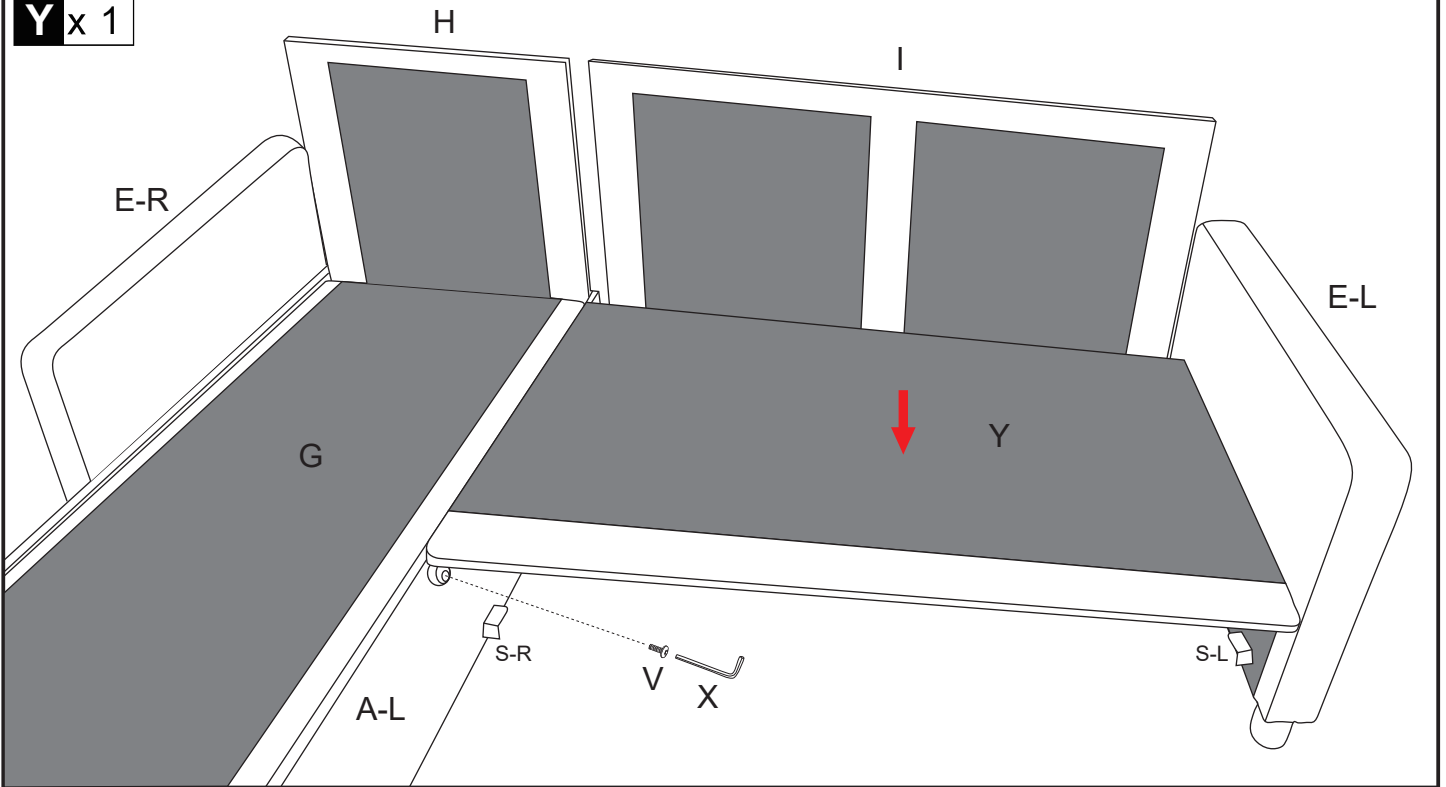
S x 1

V x 2

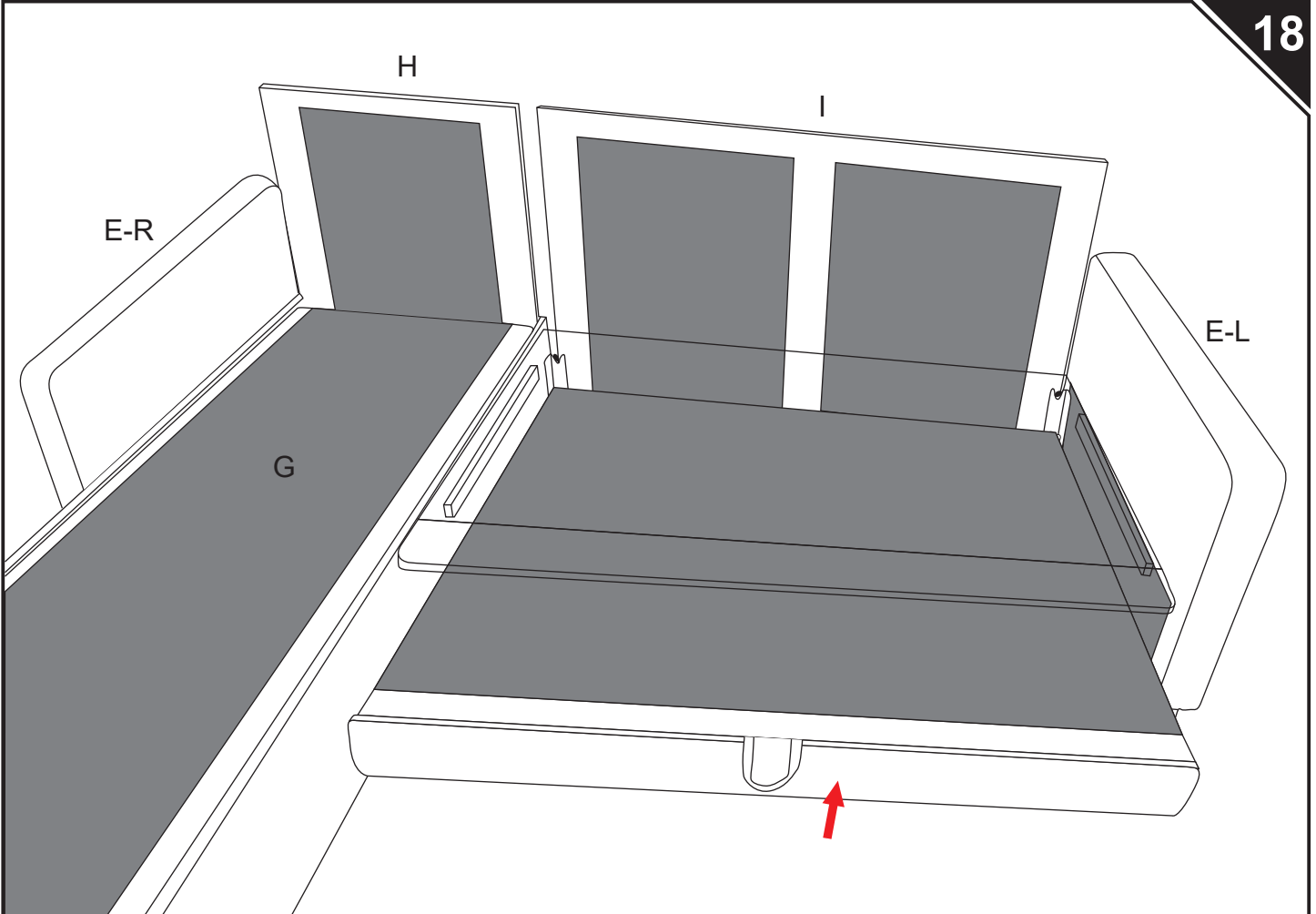
X x 1

Y x 1

17



18



- J** x 1
- K** x 1
- L** x 1
- T** x 3

