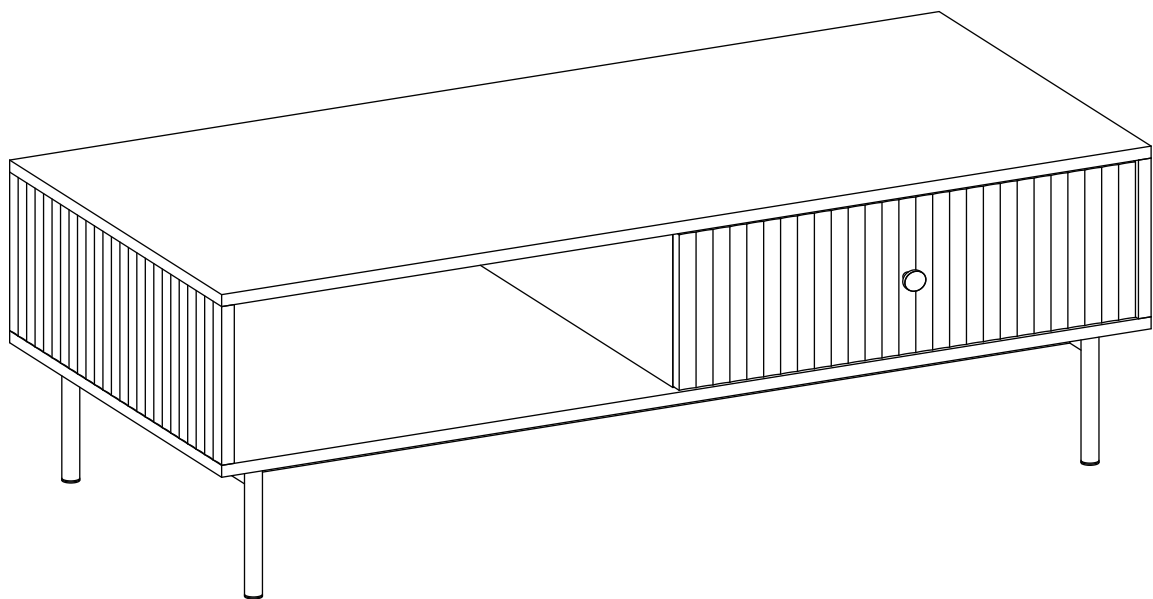


COFFEE TABLE WITH DRAWER WHITE / BLACK / GREY / SAGE

Instruction manual

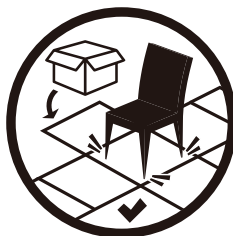




SAFETY AND CARE ADVICE

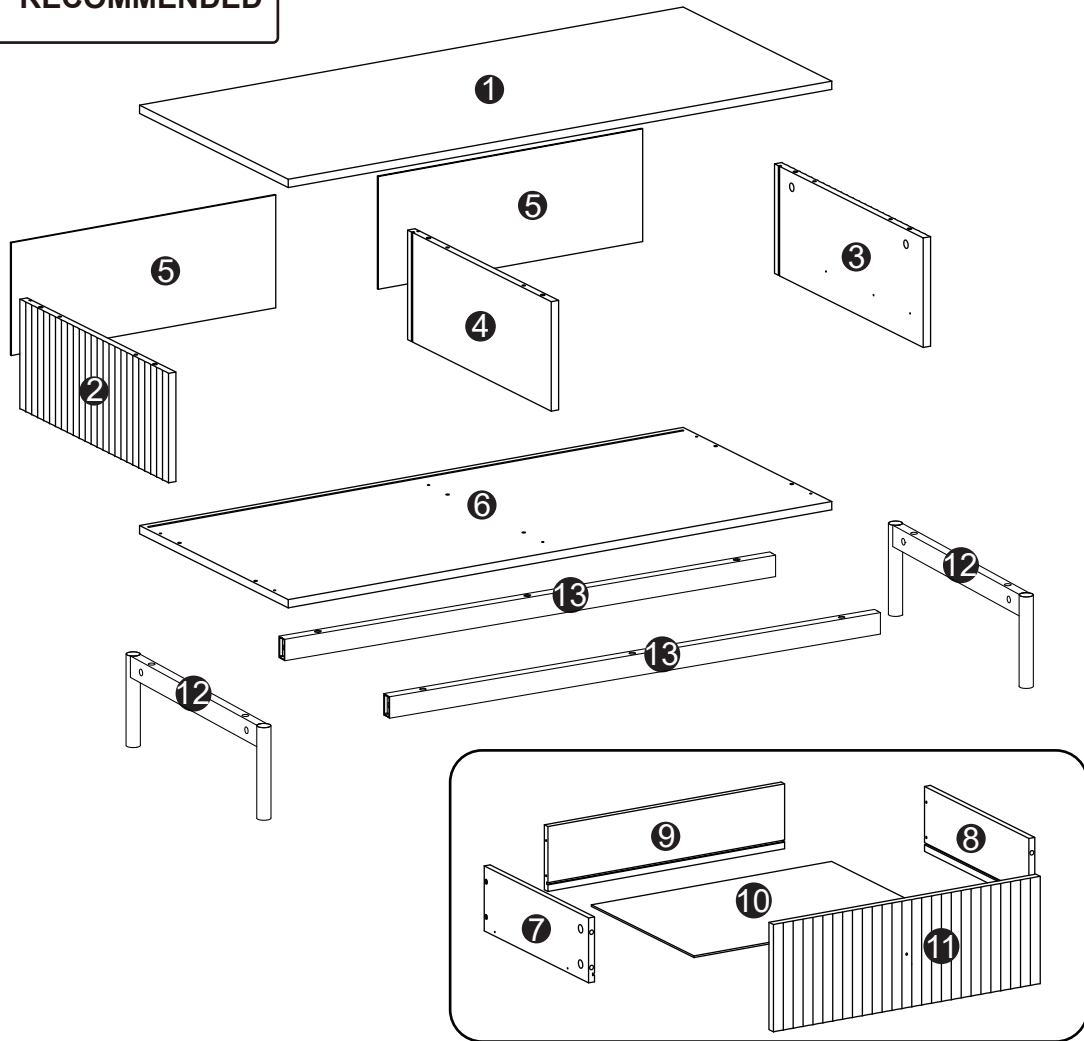
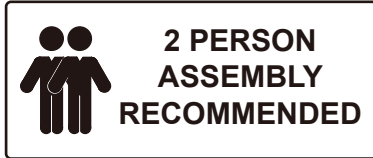
PLEASE READ THESE INSTRUCTIONS CAREFULLY AND KEEP FOR FUTURE

- Check you have all the components and tools listed on pages 2 or 3.
- Remove all fittings from the plastic bags and separate them into their groups.
- Keep children and animals away from the work area, small parts could choke if swallowed.
- Make sure you have enough space to layout the parts before starting.
- Do not stand or put weight on the product, this could cause damage.
- Assemble on a soft level surface to avoid damaging the unit or your floor (use opened out unit carton).
- We do not recommend the use of power drill/drivers for inserting screws, as this could damage the unit. Only use hand screwdrivers.



COMPONENTS — PANELS

Please check you have all the panels listed below:

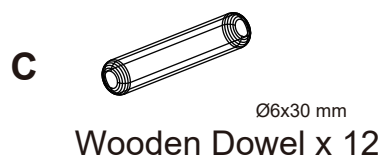
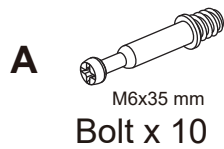


PANEL LIST

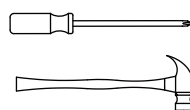
1	Top Panel	x1	6	Bottom Panel	x1	11	Drawer Front Panel	x1
2	Left Side Panel	x1	7	Drawer Left Side Panel	x1	12	Iron Feet	x2
3	Right Side Panel	x1	8	Drawer Right Side Panel	x1	13	Bottom Bar	x2
4	Middle Vertical Panel	x1	9	Drawer Back Panel	x1			
5	Back Panel	x2	10	Drawer Bottom Panel	x1			

COMPONENTS — FITTINGS

Please check you have all the fittings listed below:



TOOLS NEEDED
(We don't provide)

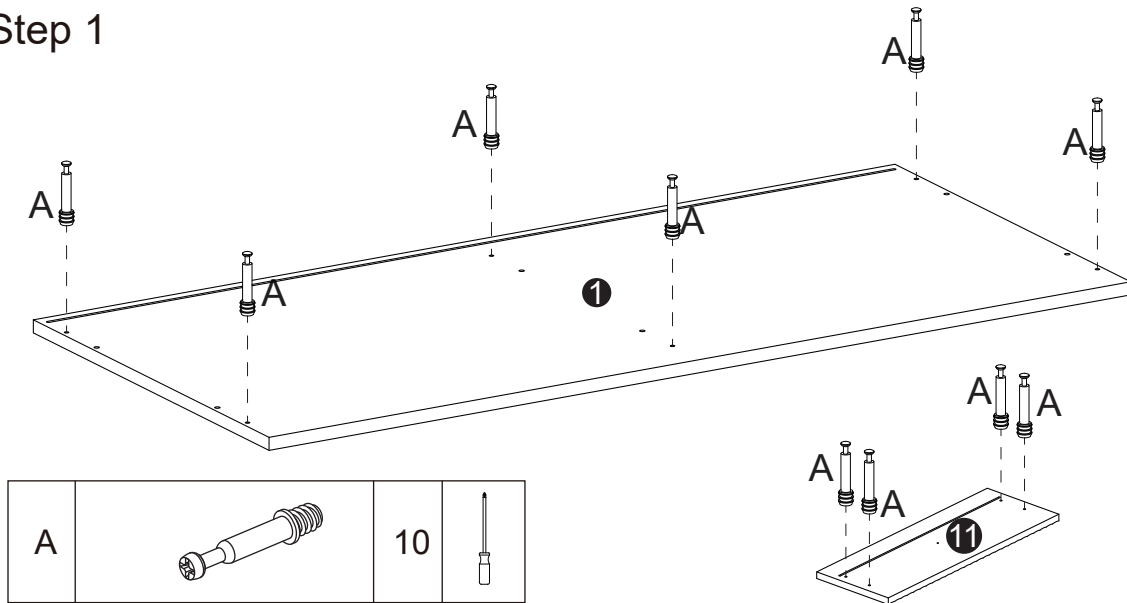


Phillips Screwdriver x 1

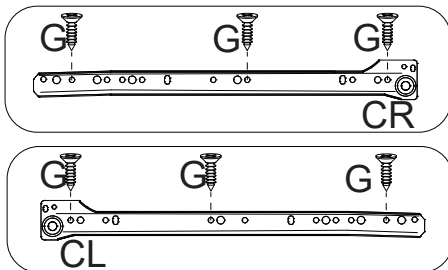
Hammer x 1



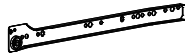

ASSEMBLY INSTRUCTIONS

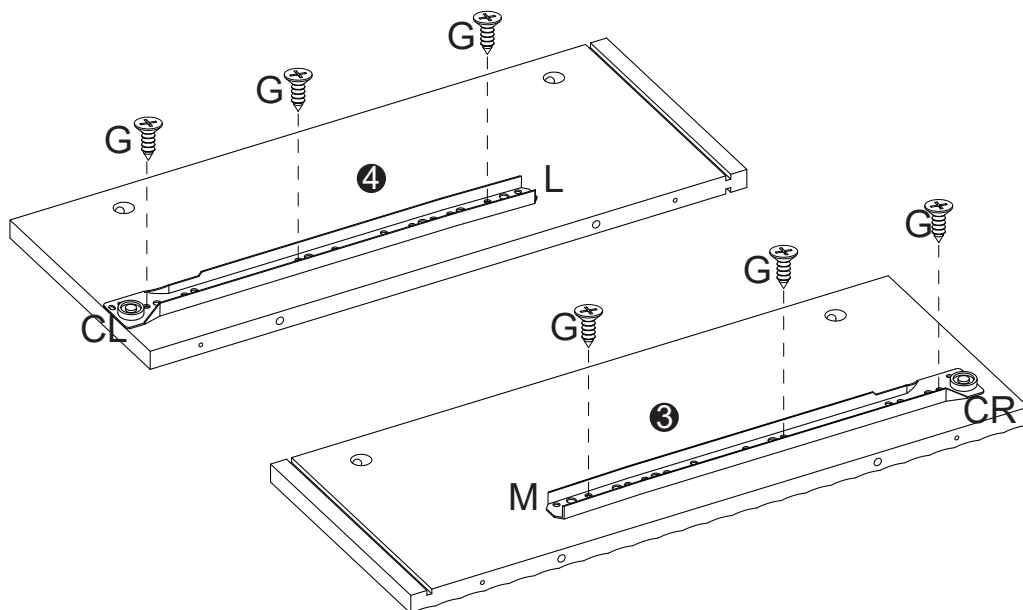
Step 1



Step 2



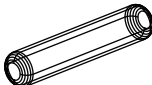


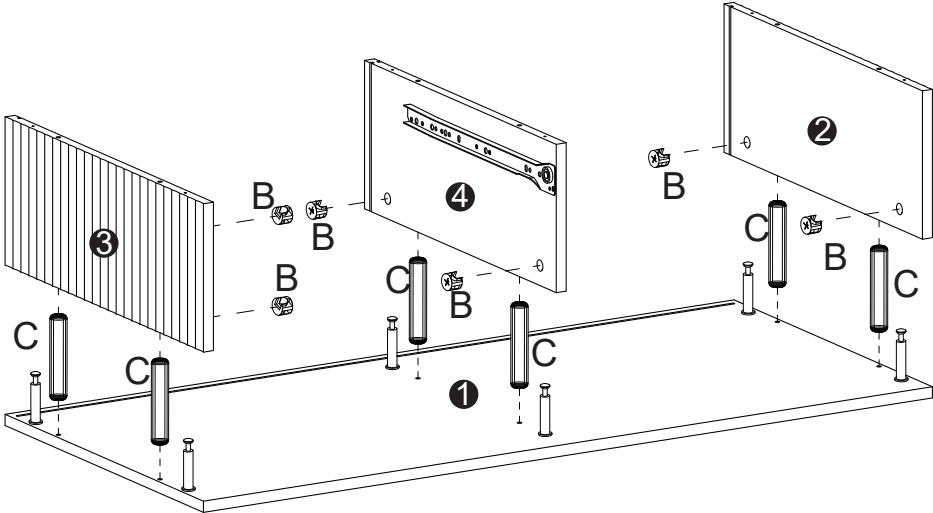
G		6	
L		1	
M		1	



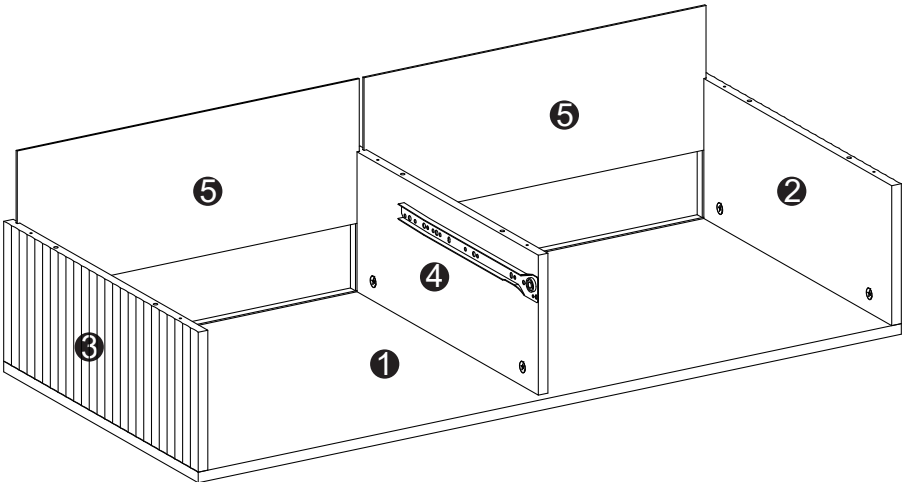
ASSEMBLY INSTRUCTIONS

Step 3

B		6	
C		6	

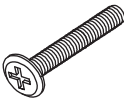



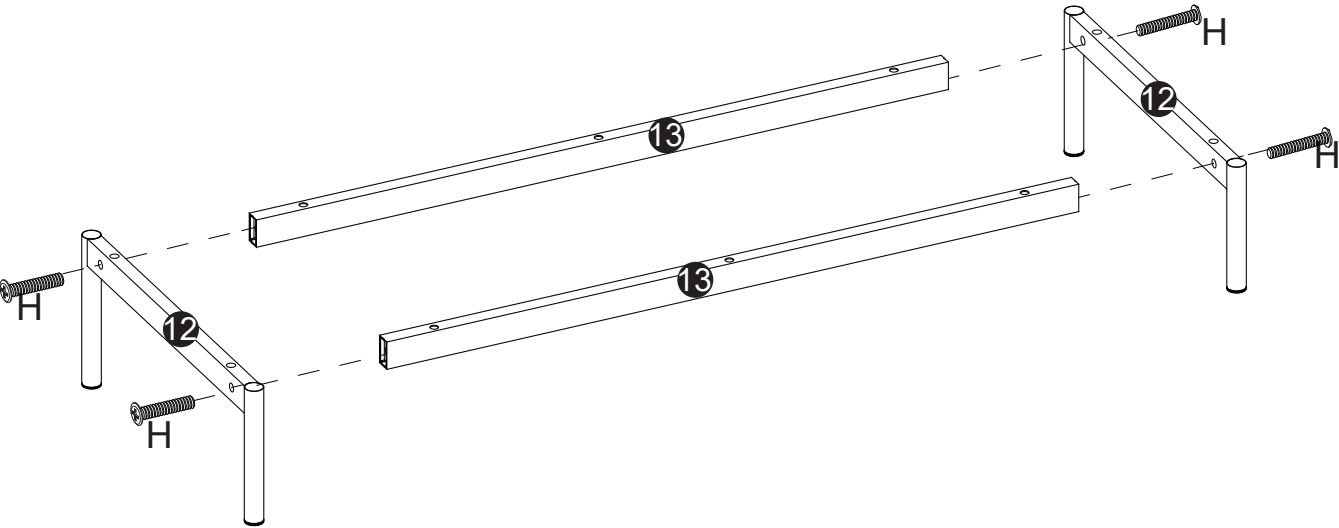
Step 4



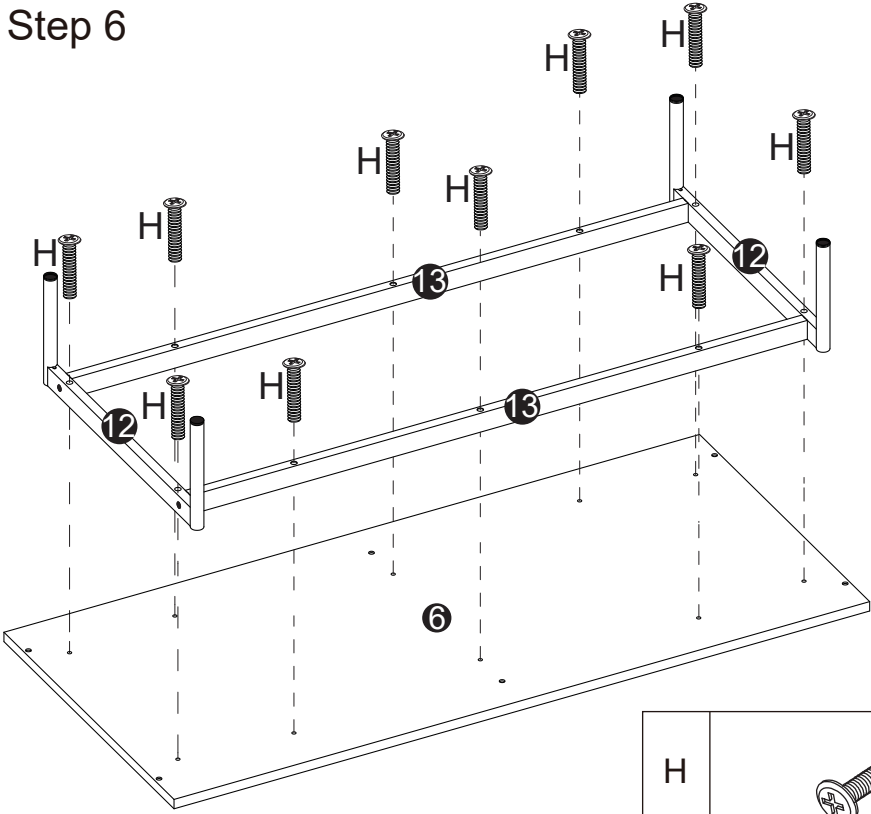
ASSEMBLY INSTRUCTIONS

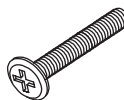
Step 5

H		4	
---	---	---	---



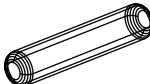
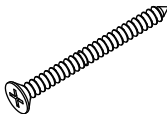
Step 6

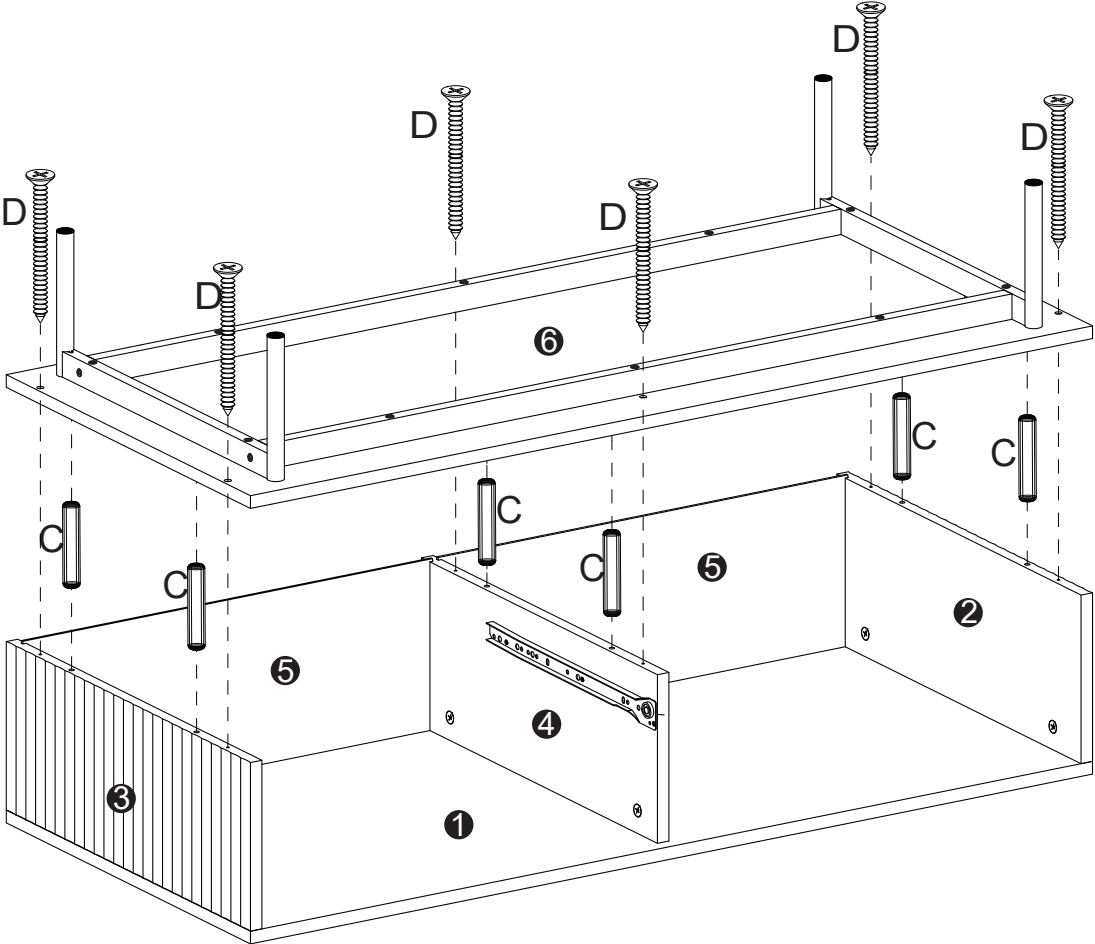


H		10	
---	---	----	--

ASSEMBLY INSTRUCTIONS




Step 7

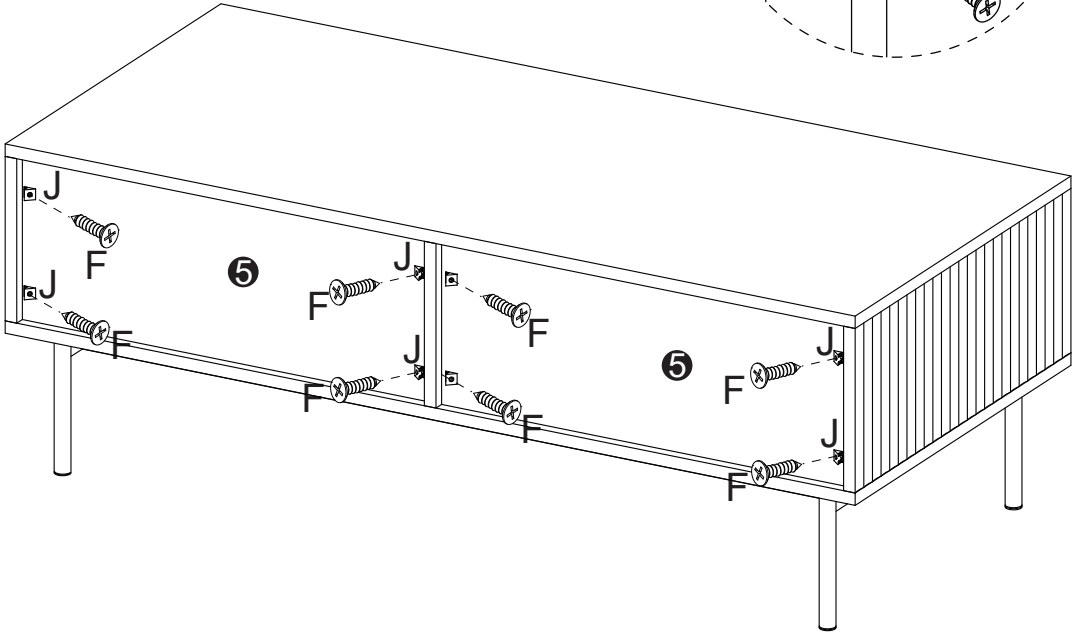
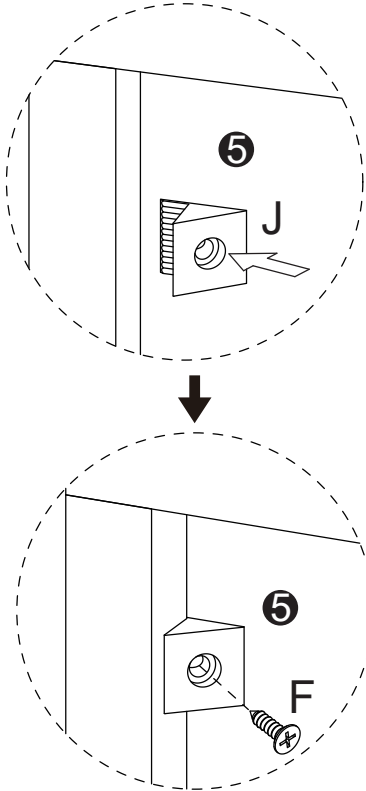
C		6	
D		6	



ASSEMBLY INSTRUCTIONS

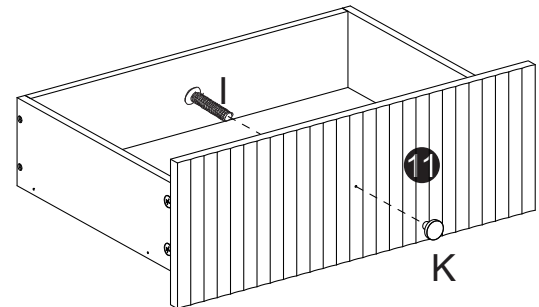
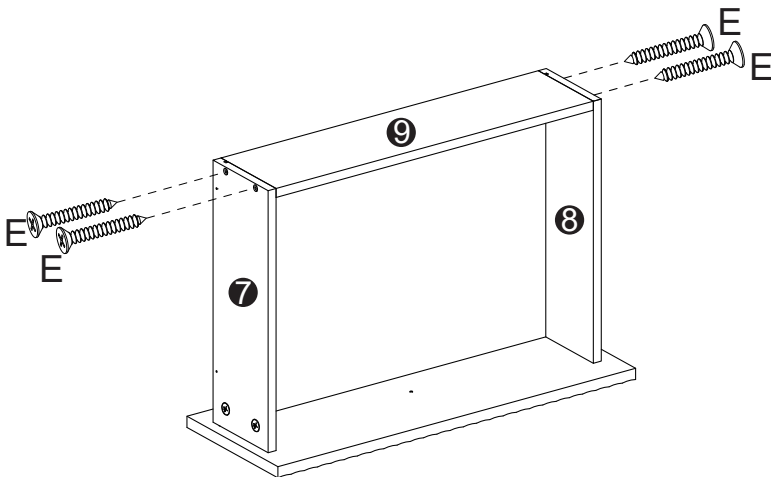
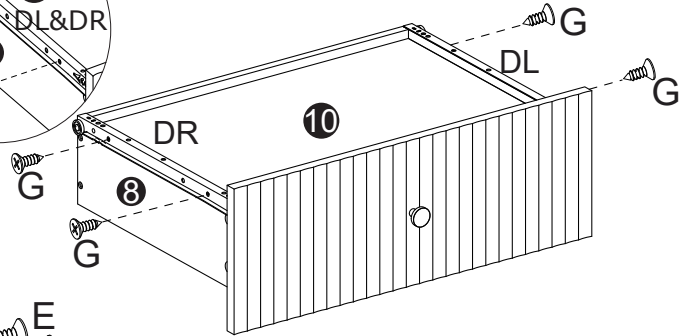
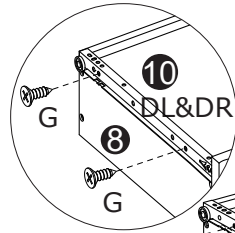
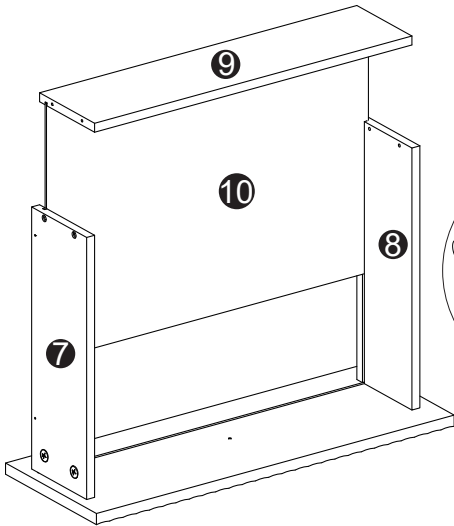
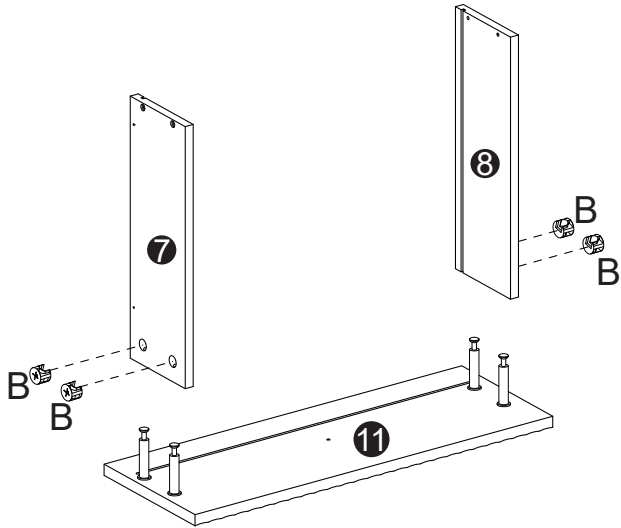
Step 8

F		8	
J		8	



ASSEMBLY INSTRUCTIONS

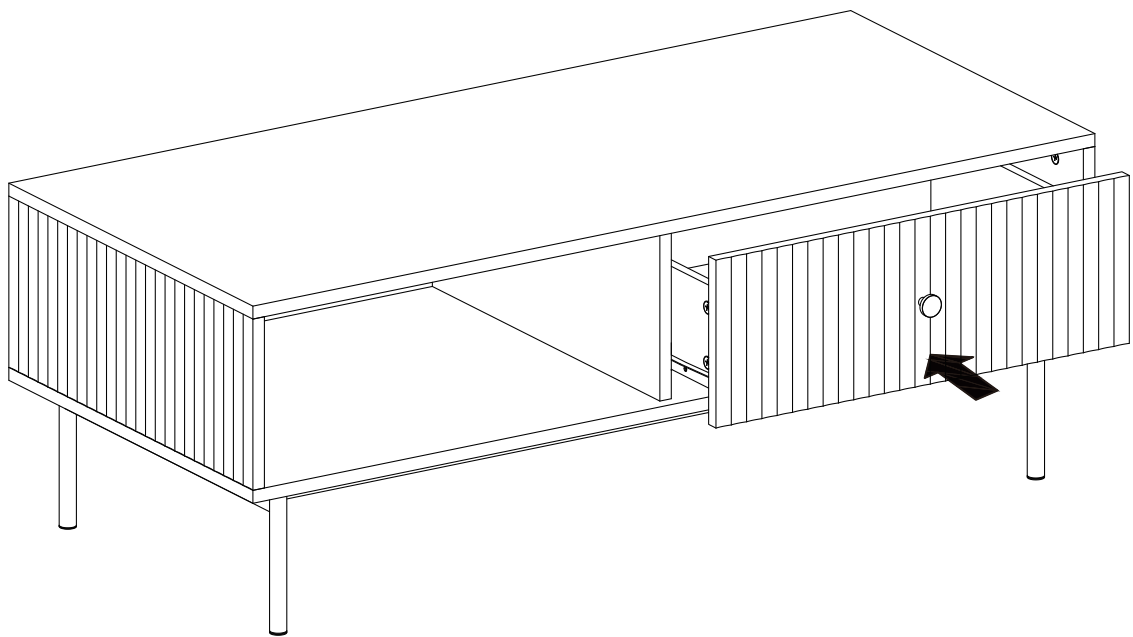
Step 9



B		4	
E		4	
G		4	
K		1	
I		1	
N		1	
O		1	

ASSEMBLY INSTRUCTIONS

Step 10



Congratulations!
Now you have finished assembling the product.