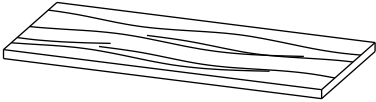
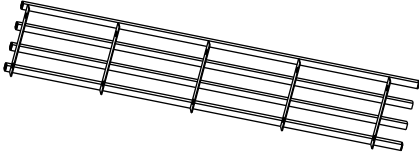
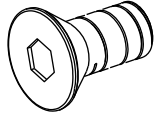
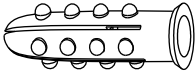

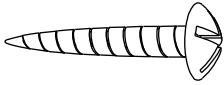

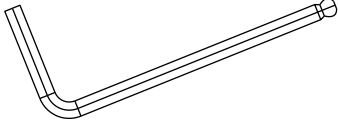
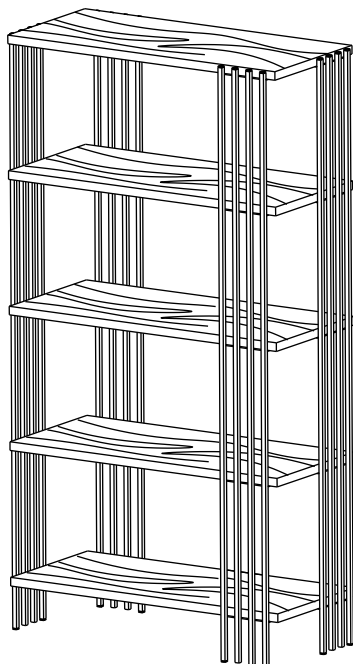


# ASSEMBLY INSTRUCTION

## 68" BOOKCASE WITH FAUX MARBLE SHELVES

<b>A</b> Wood Shelf 5pcs 	<b>B</b> Side Panel 4pcs 	<b>C</b> Bolt 1/4" x 5/8" 40pcs 
<b>D</b> Wall Anchor (Anti-Tipping) 2pc 	<b>E</b> L Bracket (Anti-Tipping) 2pcs 	<b>F</b> Screw (Anti-Tipping) 2pcs 
<b>G</b> Plastic Strap (Anti-Tipping) 2pcs 	<b>H</b> Allen Wrench 1/4" 1pc 	

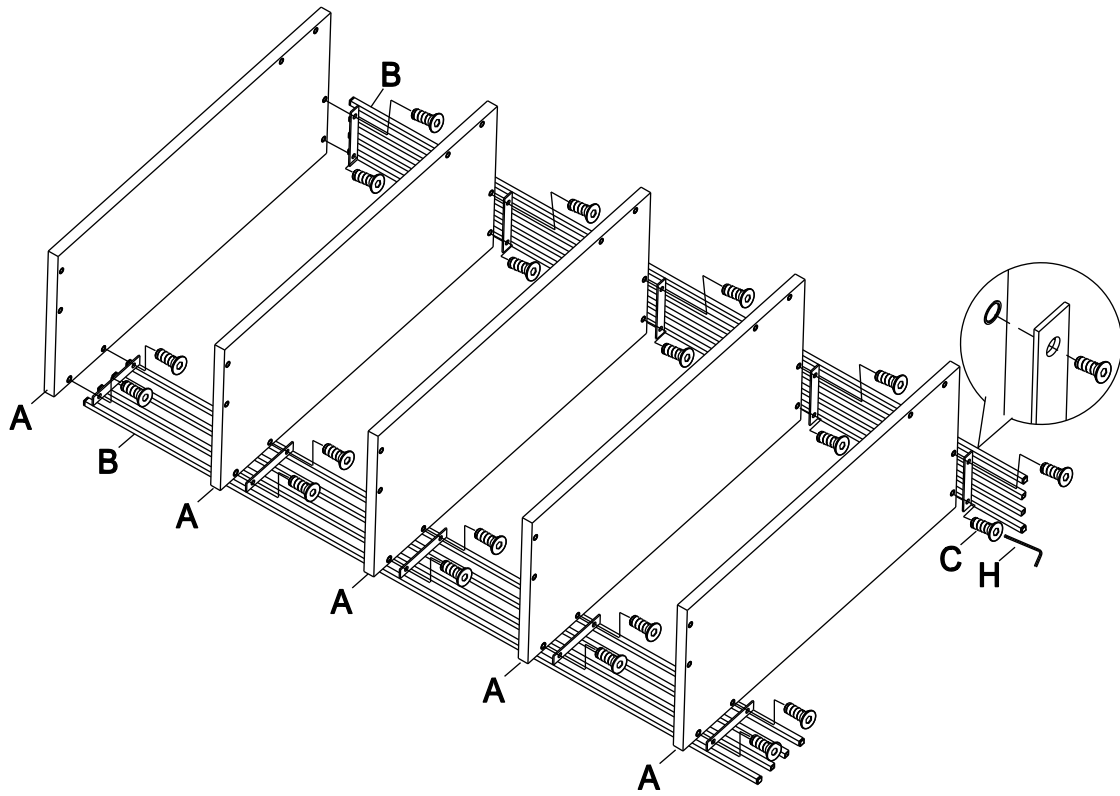


This page lists all the contents included in the box. Please take the time to identify the hardware as well as the individual components to this product. As you unpack and prepare for assembly, place the contents on a carpeted or padded area to protect them from damage.

**\*\*\* Do not tighten screws & bolts until the entire unit is completely assembled.**

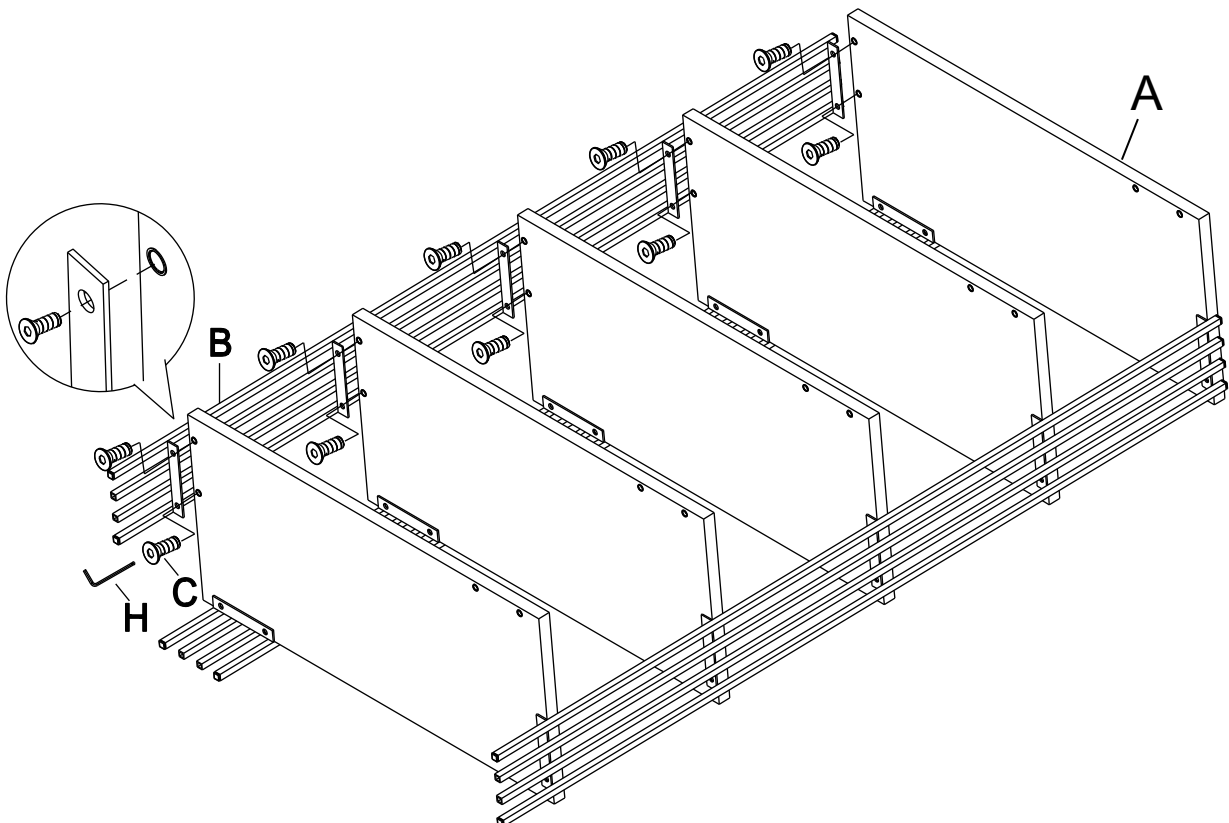
**1**

Attach Side Panel (B) to Wood Shelf (A) by Bolt (C) and Allen Wrench (H) as shown.



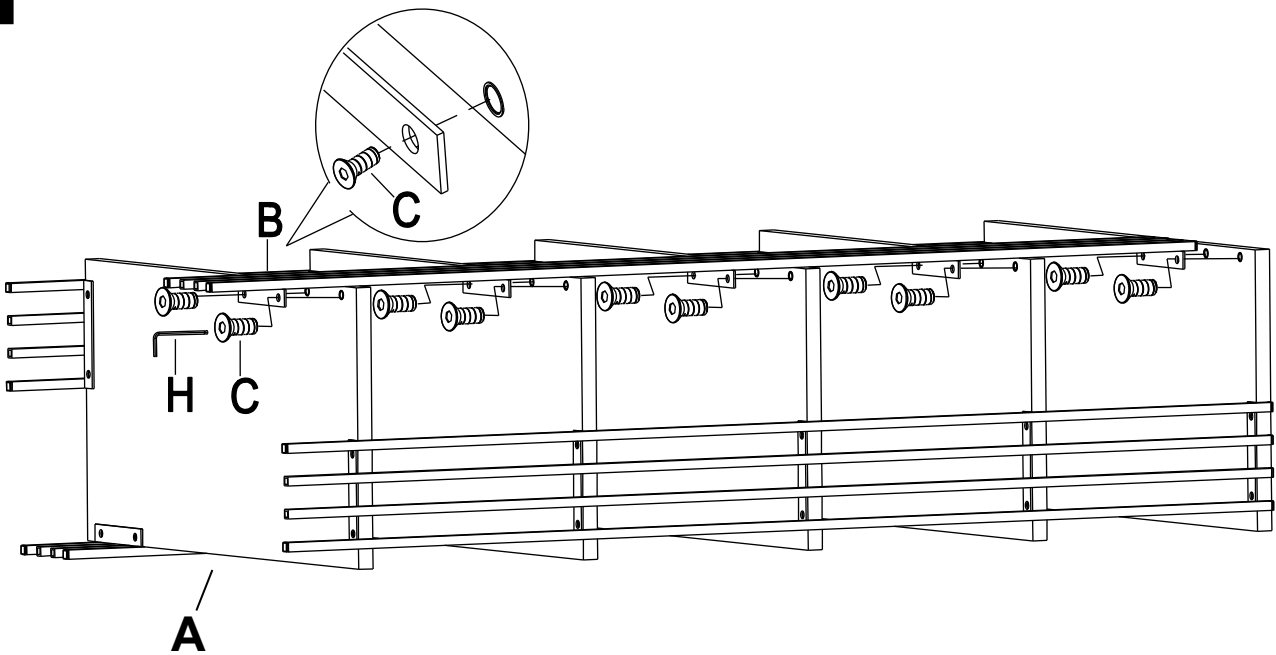
**2**

Attach the third Side Panel (B) to Wood Shelf (A) by Bolt (C) and Allen Wrench (H) as shown.

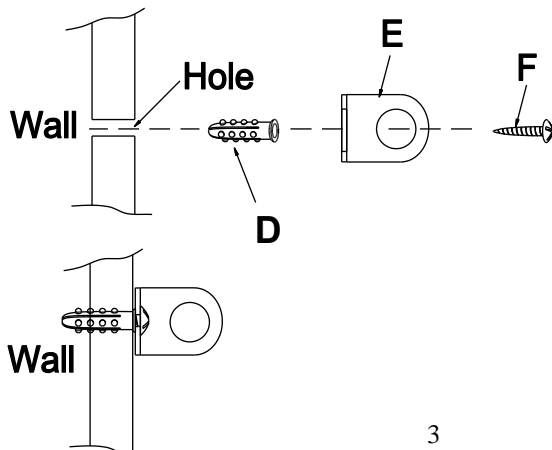
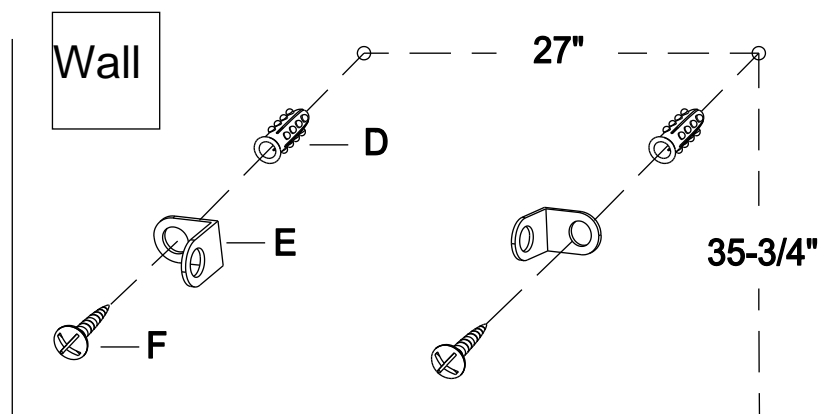


**3**

Attach the fourth Side Panel (B) to Wood Shelf (A) by Bolt (C) and Allen Wrench (H) as shown.

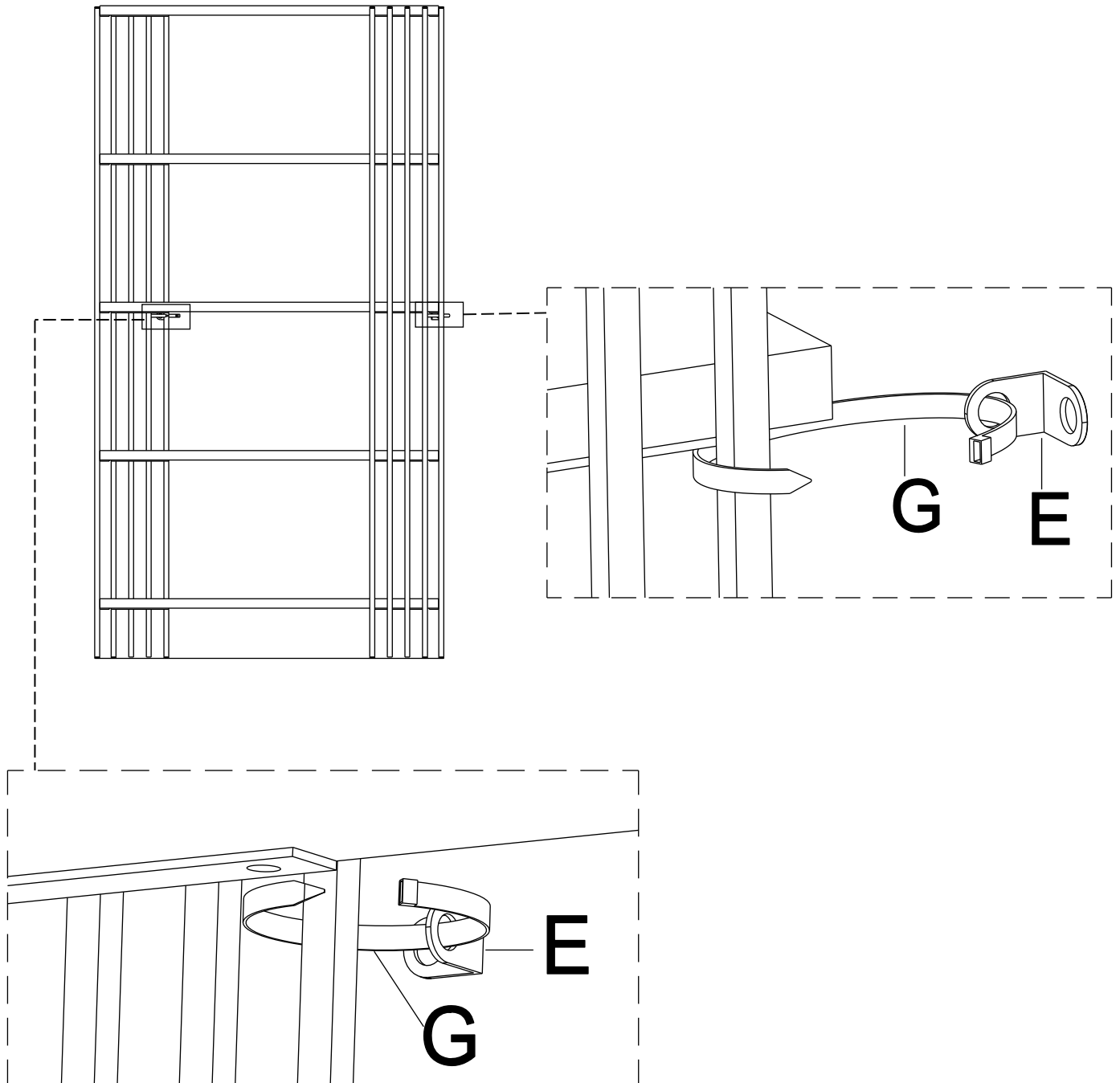
**4**

Select a location where you want the shelf mounted. Mark on the wall the two locations where the Wall Anchors (D) will be placed. Drill a hole for each anchor slightly smaller than the size of Screws (F). Push the Wall Anchors (D) as far as it will go with your finger. Tap gently with a hammer until the anchors are in. Then align the L Brackets (E) to the Wall Anchors (D) and insert Screws (F) to secure.



**5**

Insert each end of the Plastic Strap (G) into L Brackets (E), then secure and tighten.



### Cleaning & Care

Treat surface with care. Surface is resistant to scratches but is not scratch resistant. Clean surfaces with a dry or damp soft cloth. Do not use abrasive cleaners. Hardware may loosen over time. Periodically check that all connections are tight.