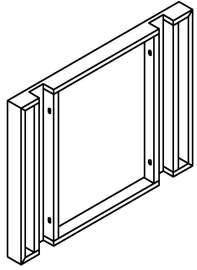
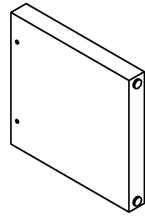


AX1



BX2



H1X4



H2X4



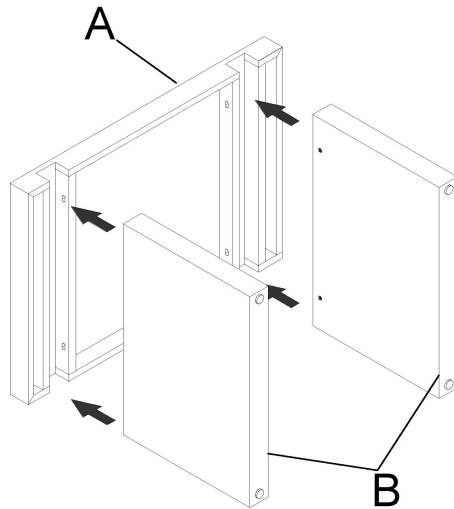
T



Extra Hardware  
H1-2 pcs  
H2-2 pcs

- Note:
1. Please do not tight any bolt unless all bolts are fixed at their respective places.
  2. After fixing the bolts tighten them simultaneously.
  3. Matching Parts Bolt (example AtoA)
  4. Two person assembly required.

1



2

