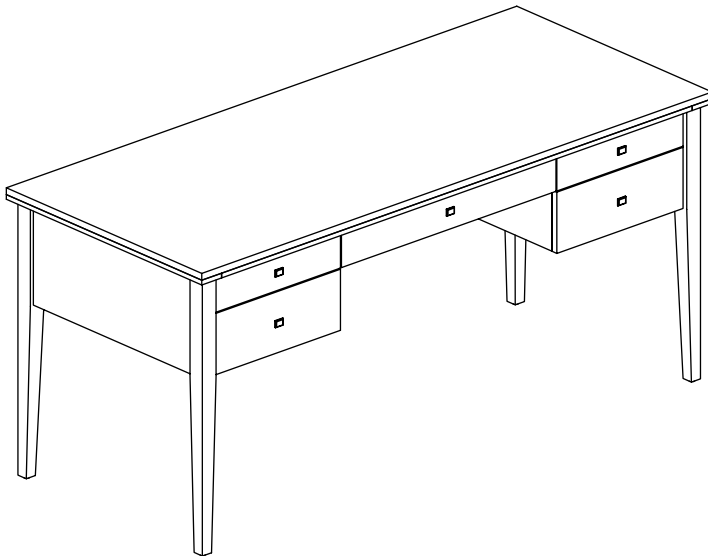


MAKALA 5 DRAWER WOOD DESK

DESIGN #SFV4232

Assembly Instructions



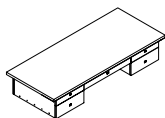
SAFAVIEH
C O U T U R E

Thanks for bringing Safavieh Couture into your home

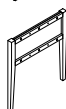
Everything we make is incredibly simple to set up, including your new desk. You won't need any additional tools.

Parts List

A x 1
TABLE TOP



B x 2
LEGS



Hardware List

HW1 x 12
Bolt M8x35mm



HW2 x 12
Flat Washer M8x18mm



HW3 x 12
Spring washer M8x14mm



HW4 x 1
Allen key

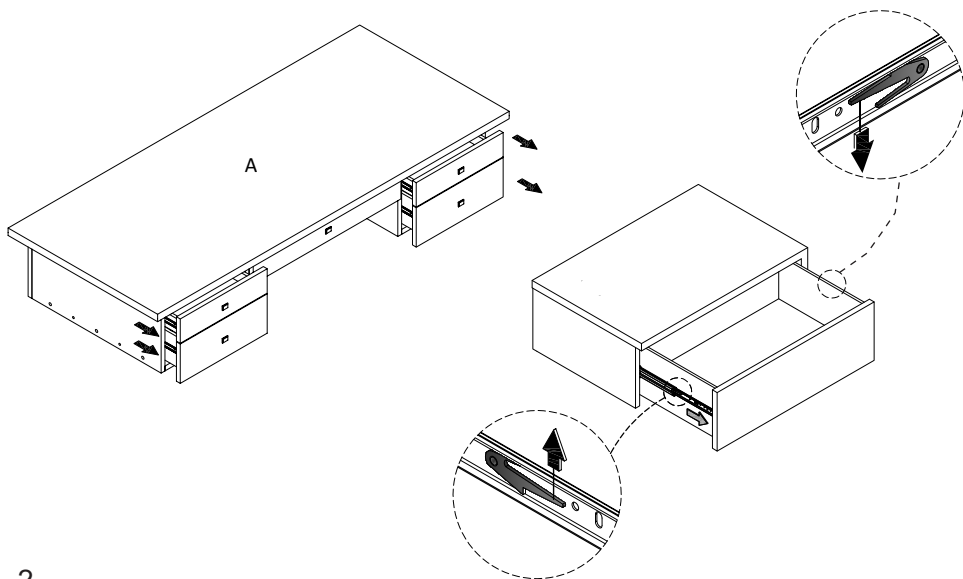


HW5 x 8
Wooden dowel \varnothing 8x30mm



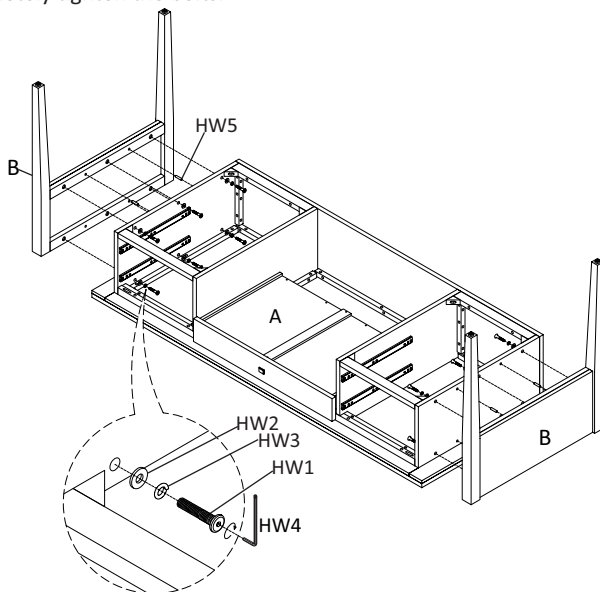
1

Remove the drawers from the table top (A). To remove the drawer, pull the latch on the left up while pushing the latch on the right down. Slide out the drawer.



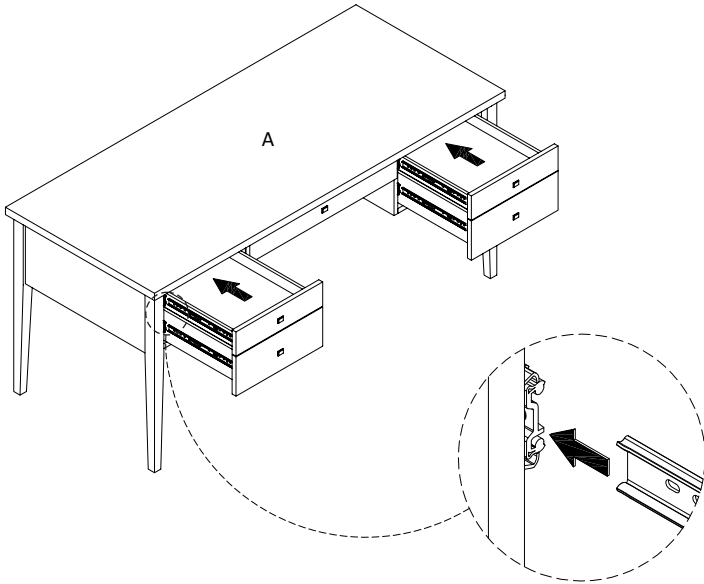
2

Place the table top (A) upside down on a soft surface. Insert the Wooden Dowels (HW5) into the 8 dowel holes on the insides of the legs (B). Insert the other end of the Wooden Dowels (HW5) into the dowel holes on the outsides of the drawers. Place the Spring washers (HW3) and Flat washers (HW2) onto the bolts (HW1) in the order shown. Attach the legs (B) to the table top (A) by using the Allen Key (HW4) to screw in the bolts (HW1) with the washers in the 12 spots shown below. Completely tighten the bolts.



3

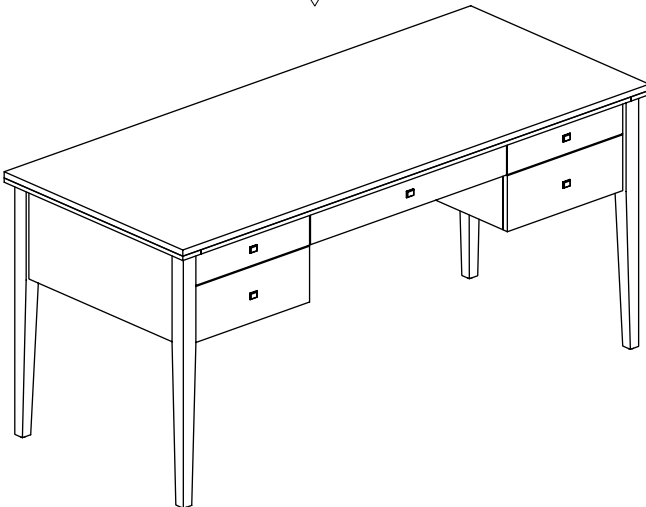
Slide the drawers back into the table top (A) by aligning the drawer glides and pushing them in.



4

Place the desk in the place where you will use it. We'd love to see it – just tag us (we're @safavieh) and use the hashtag #safavieh on Instagram!

@safavieh



Need help?

Feel free to contact us via email or call
if you have any specific questions!

contact us:

cs@safavieh.com

866-422-9070