

ASSEMBLY INSTRUCTION

PARTS LIST

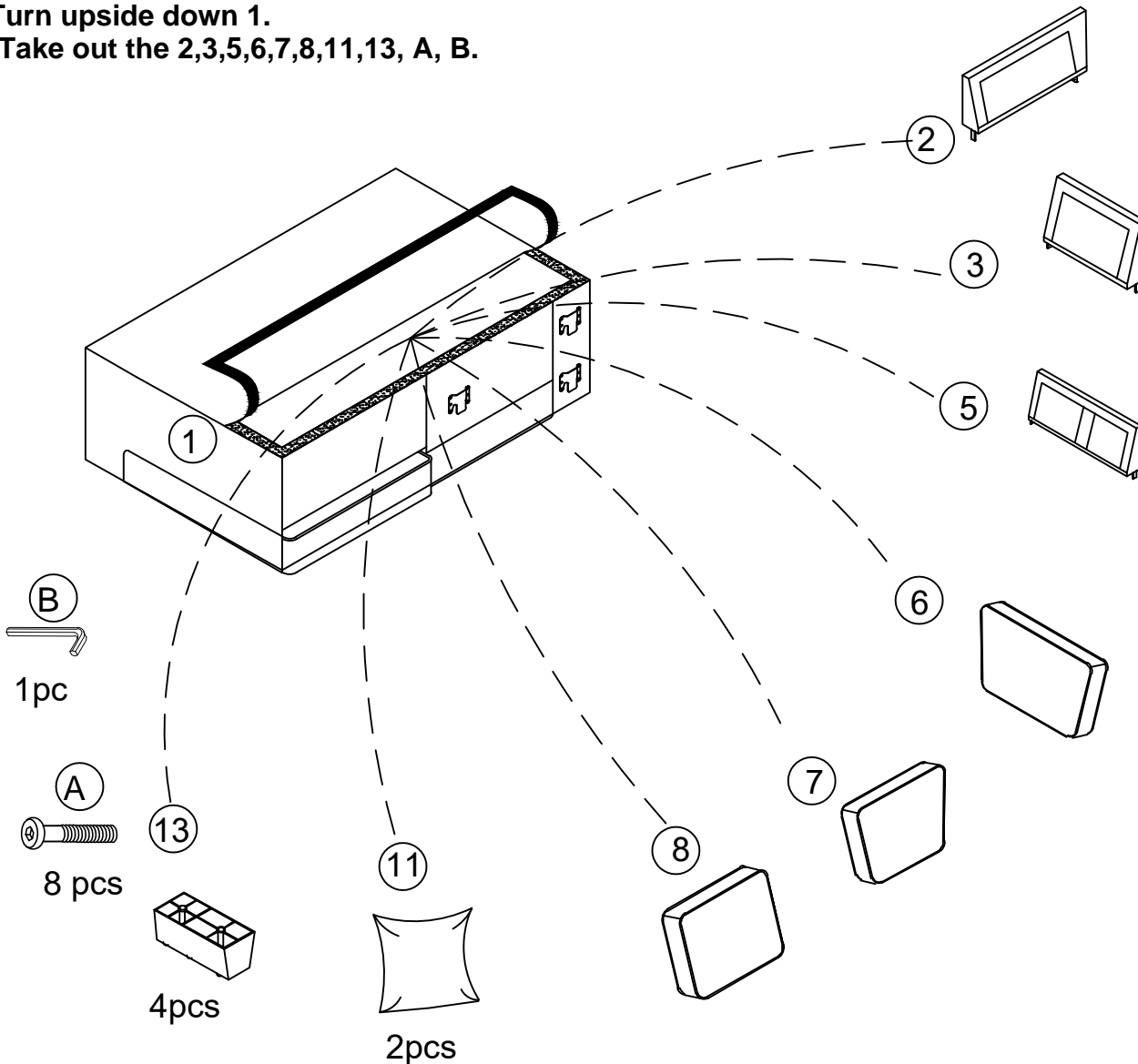
No	Description	Sketch	Q'ty	No	Description	Sketch	Q'ty
1	Chaise Body		1PC	8	Back Cushion		1PC
2	Short Backrest		1PC	9	Back Cushion		2PCS
3	Short Backrest		1PC	10	Right Armrest		1PC
4	Loveseat Body		1PC	11	Pillow		2PCS
5	Loveseat Backrest		1PC	12	Ottoman		1PC
6	Back Cushion		1PC	13	Square Leg		10PCS
7	Back Cushion		1PC	14	Round Leg		4PCS

HARDWARE LIST

No	Description		Sketch	Q'ty	Description		Sketch	Q'ty	
A	Bolt	5/16"x50mm		20PCS	Wheel			4PCS	
B	Allen key	M4		1PC	D	Bolt	1/4"x20mm		8PCS

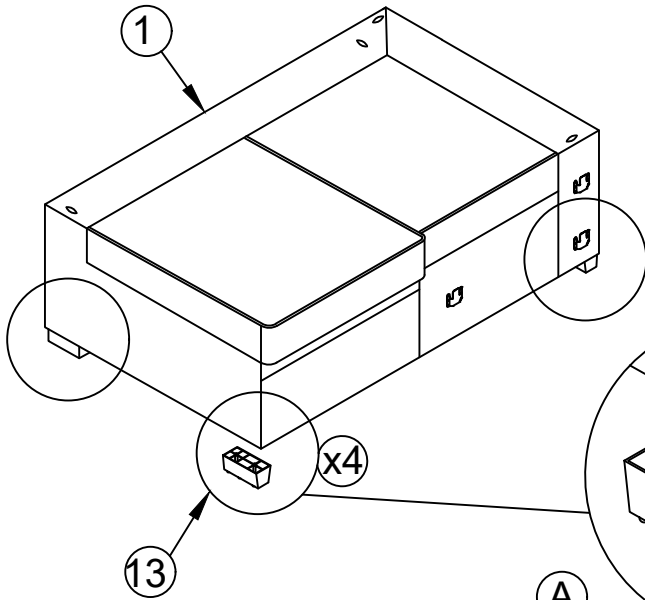
* Turn upside down 1.

** Take out the 2,3,5,6,7,8,11,13, A, B.

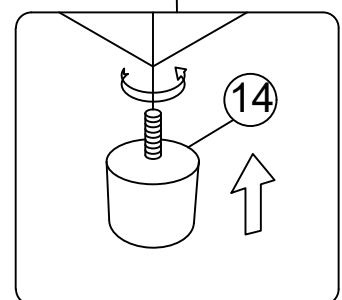
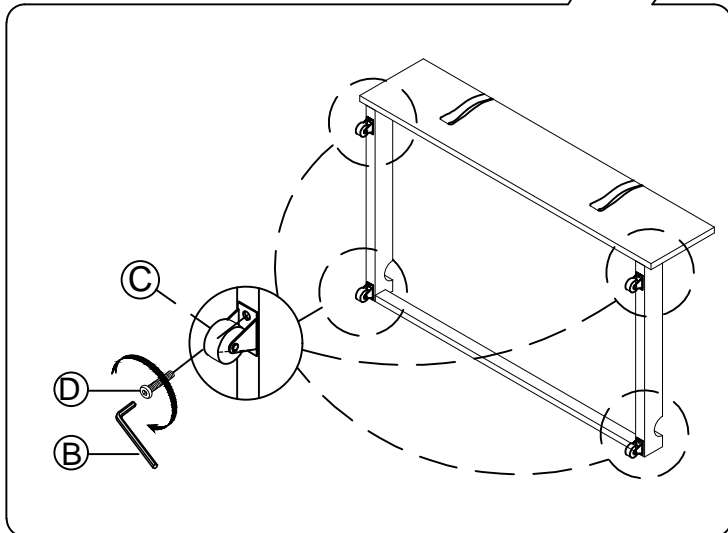
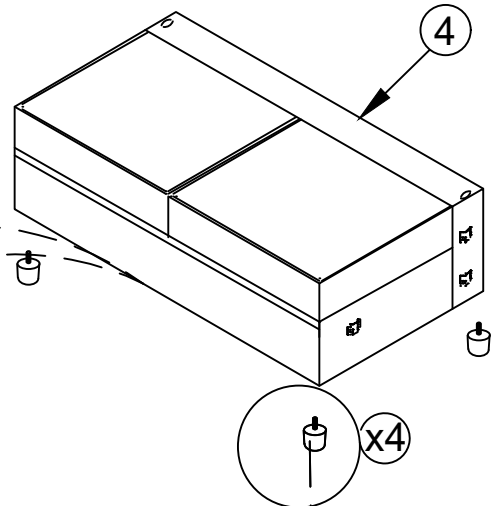
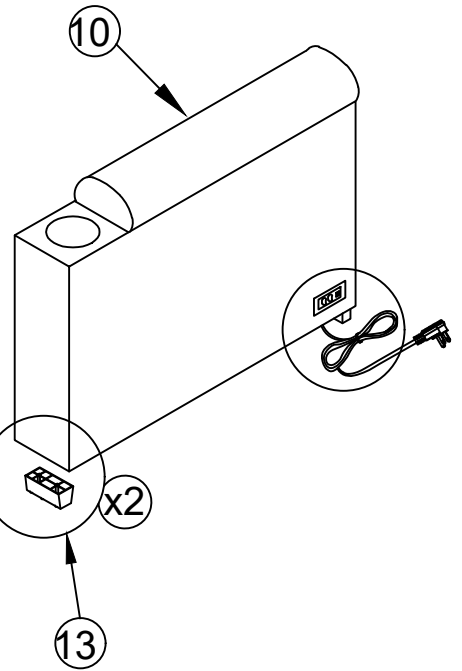


ASSEMBLY INSTRUCTION

STEP 1

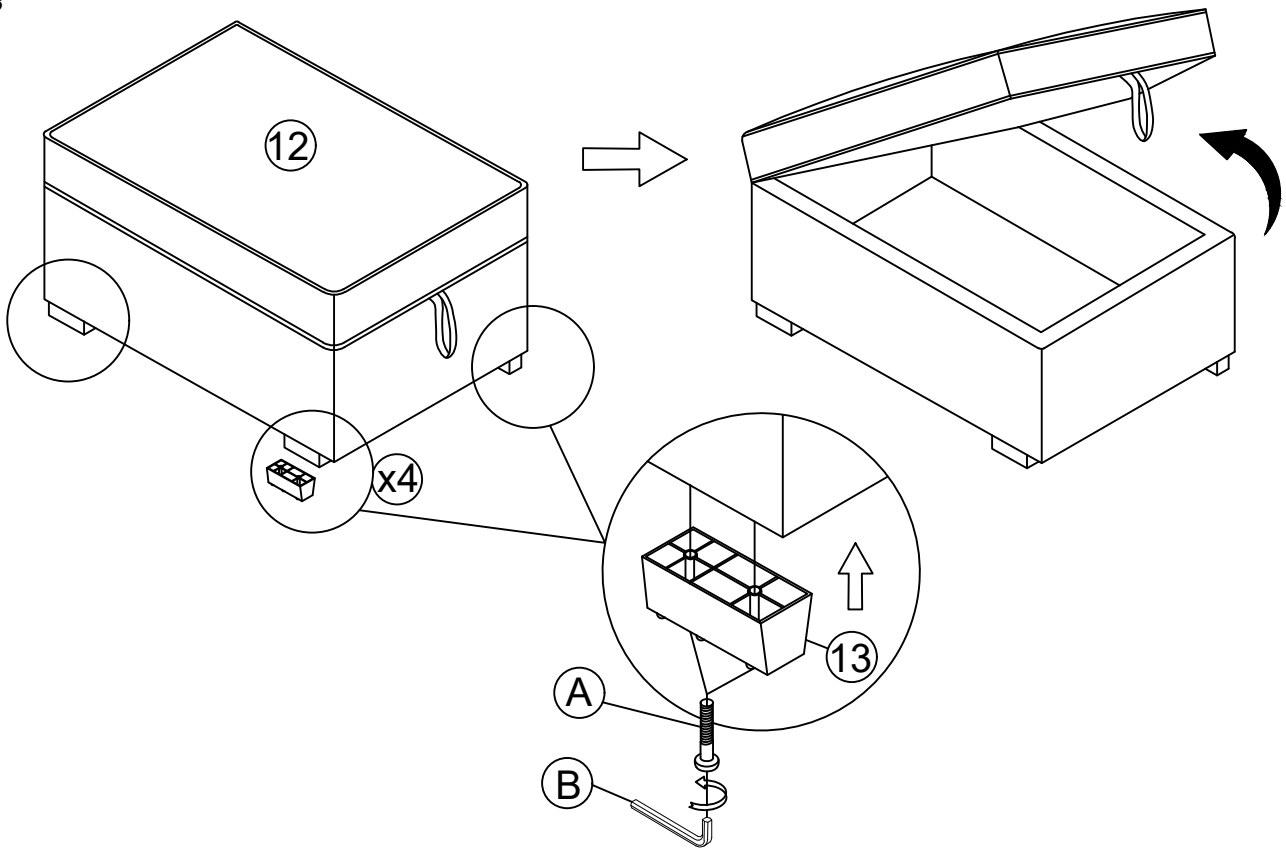


STEP 2

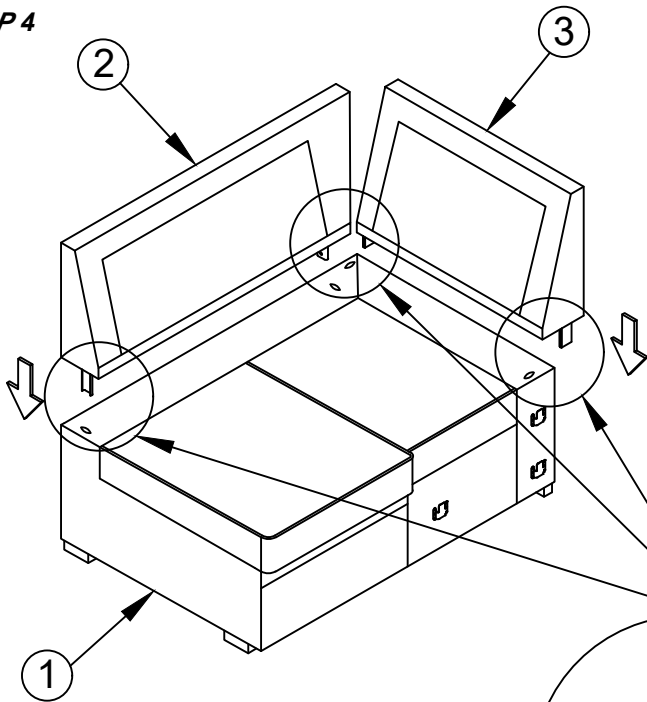


ASSEMBLY INSTRUCTION

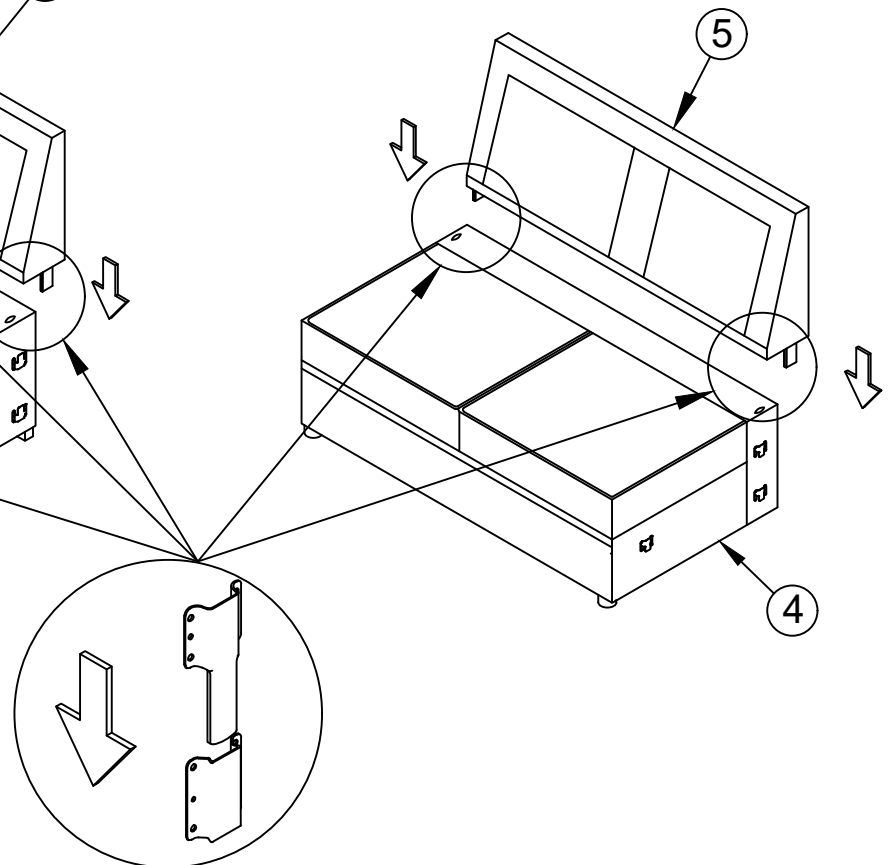
STEP 3



STEP 4

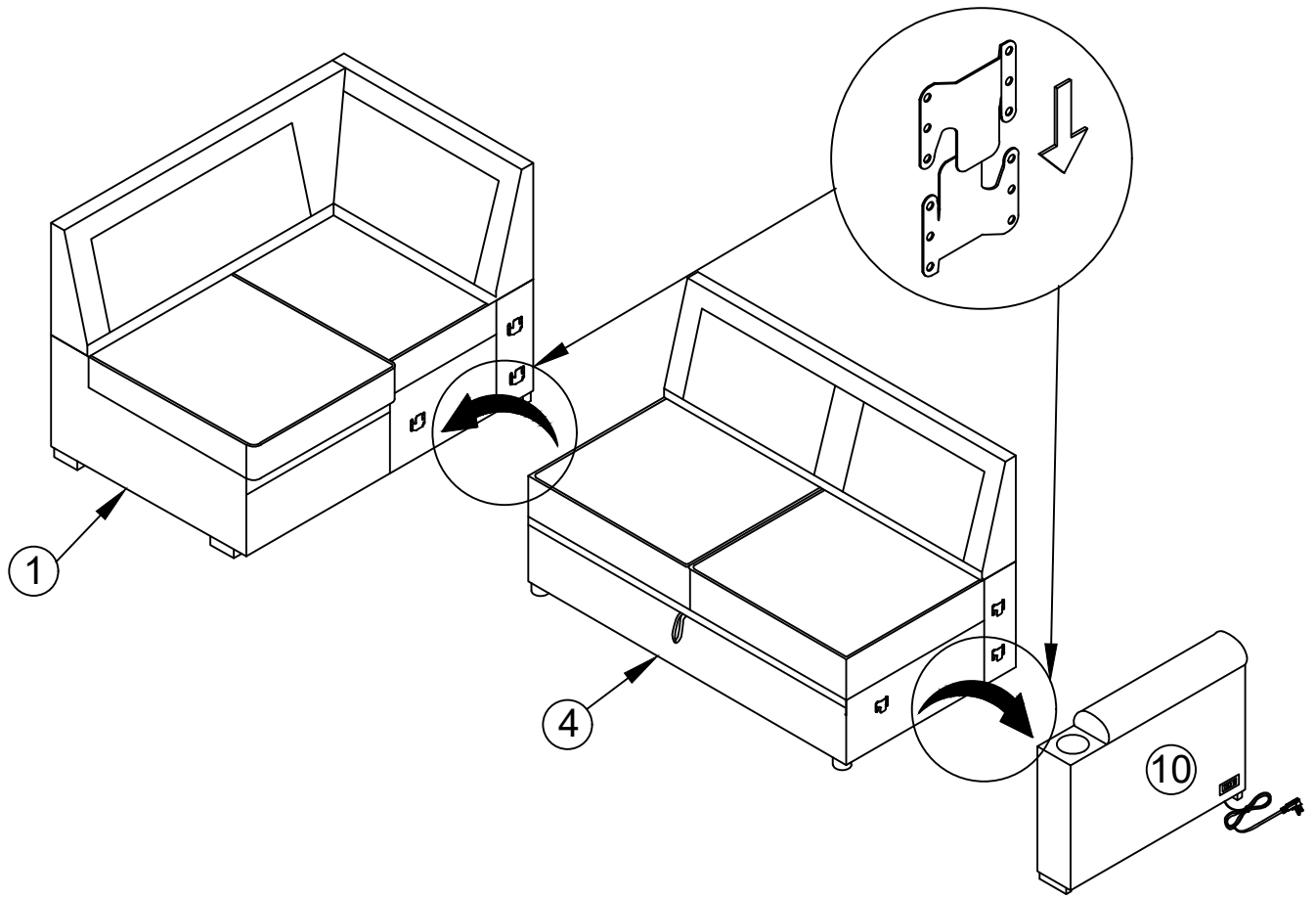


STEP 5

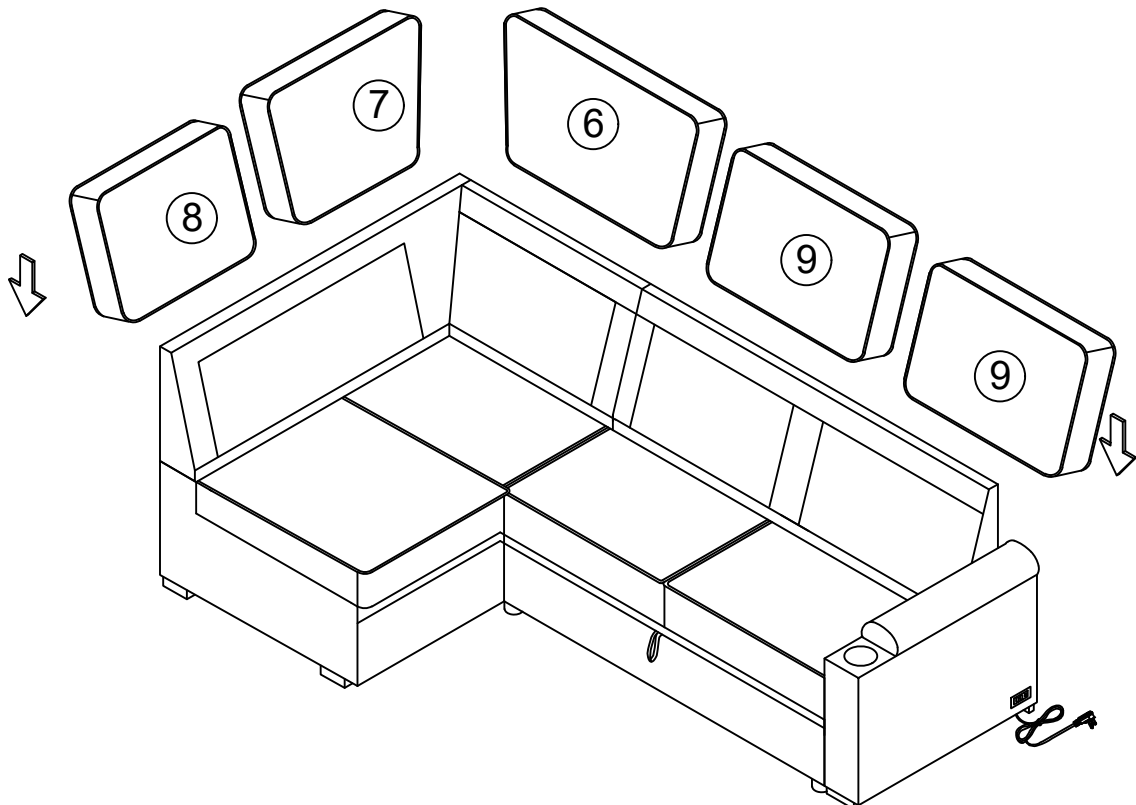


ASSEMBLY INSTRUCTION

STEP 6

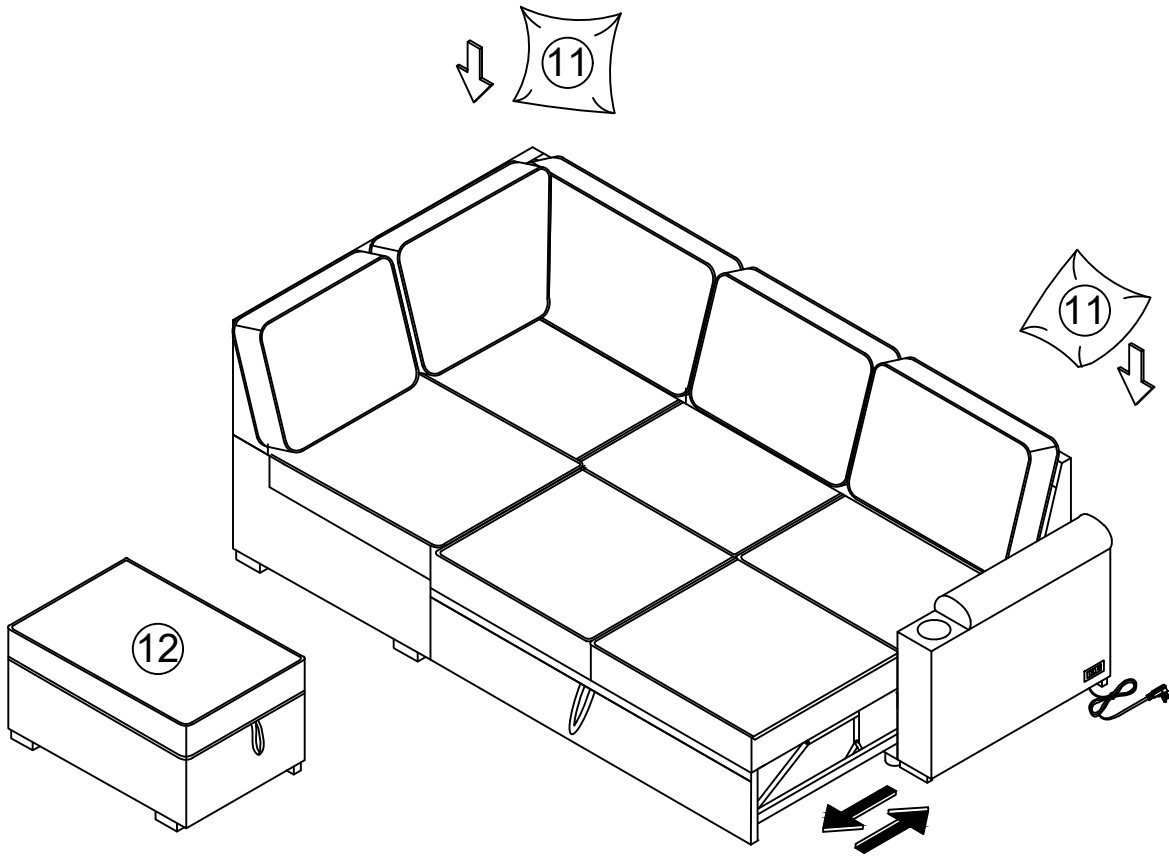


STEP 7



ASSEMBLY INSTRUCTION

STEP 8



Complete

