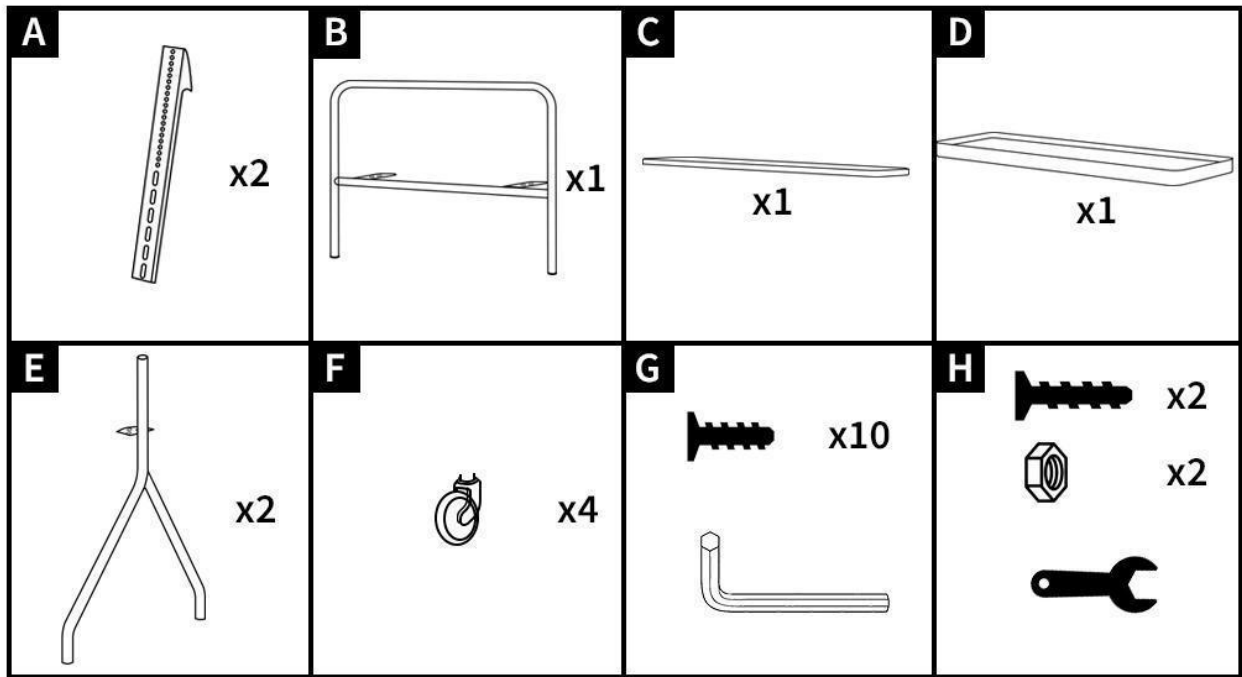
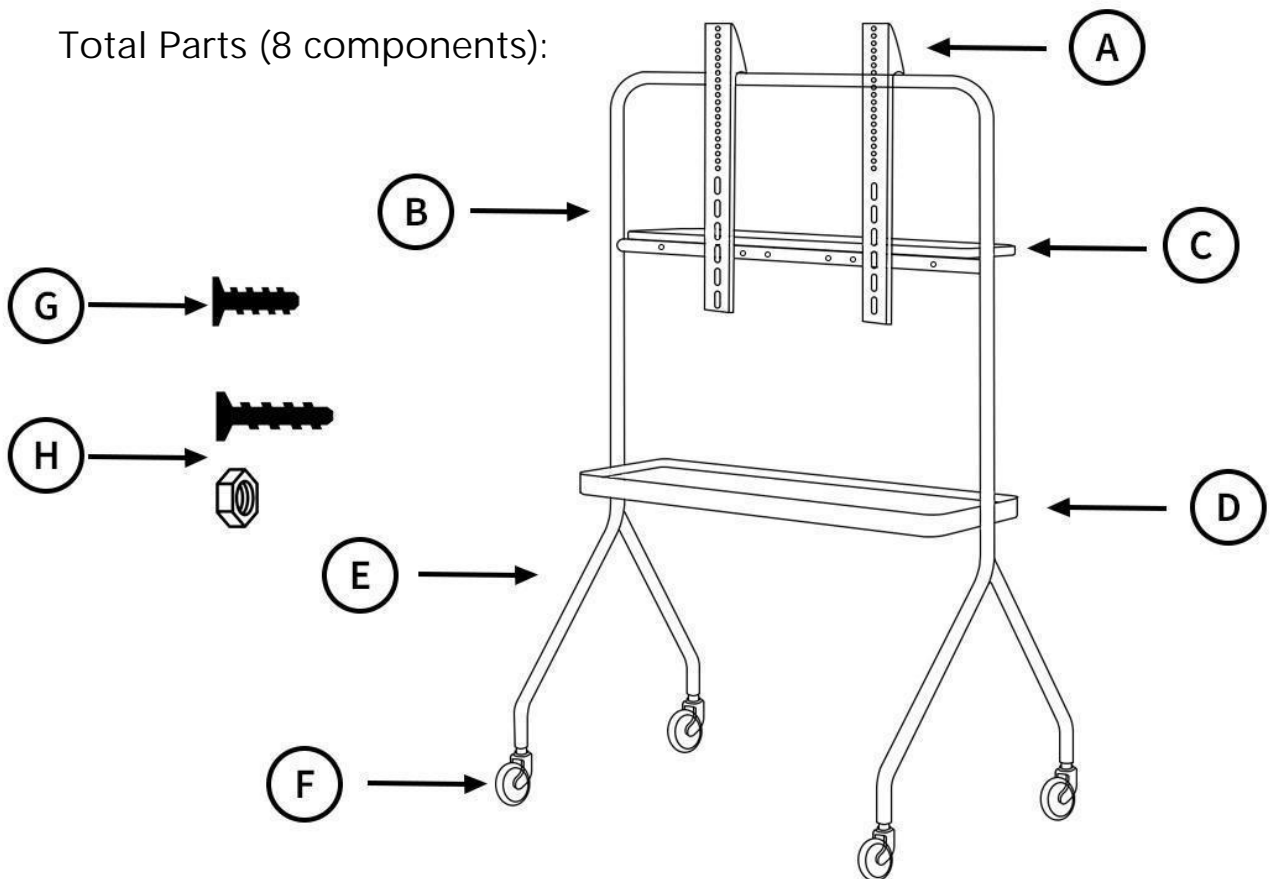


Parts Required for Installation

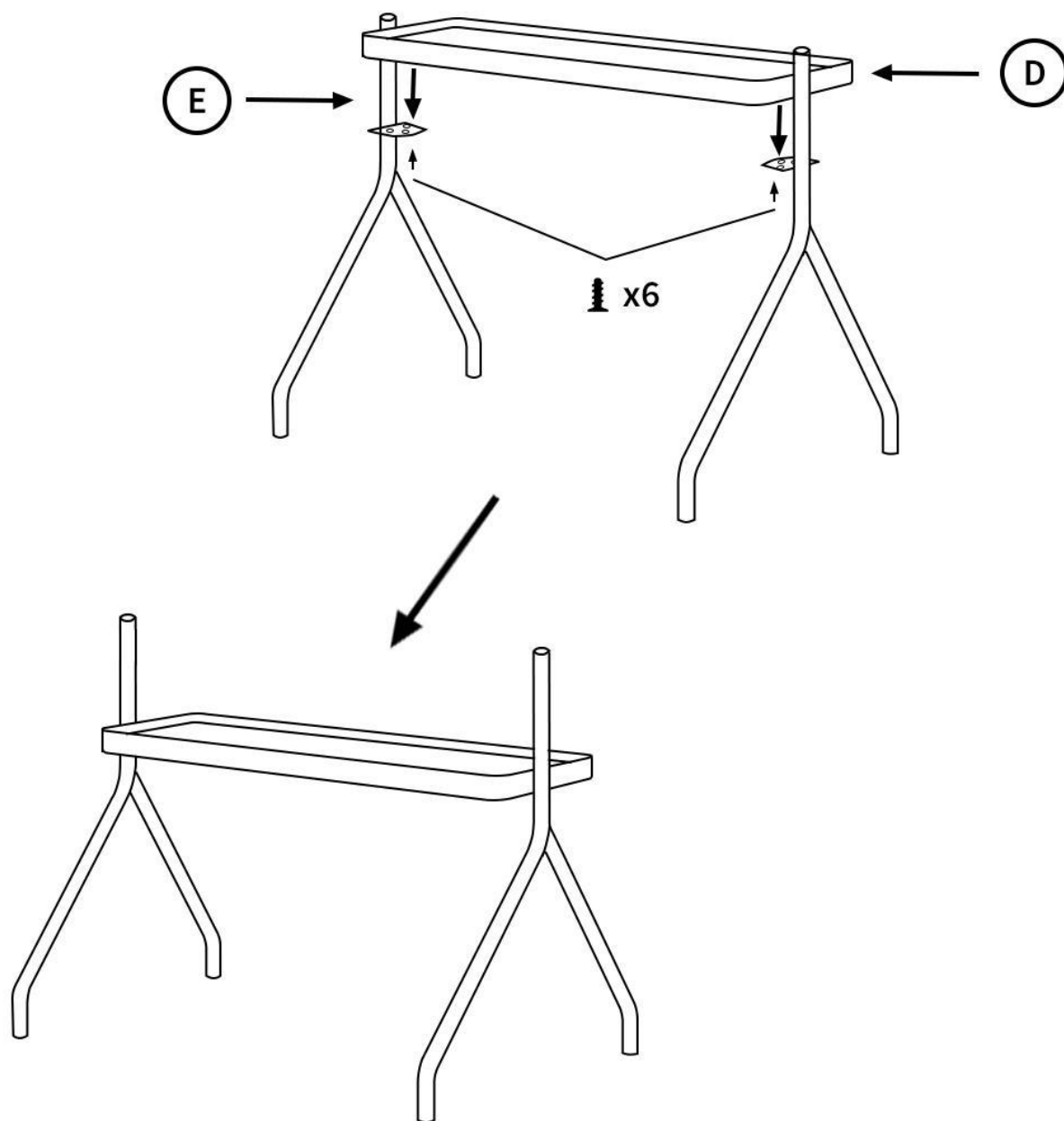


Total Parts (8 components):



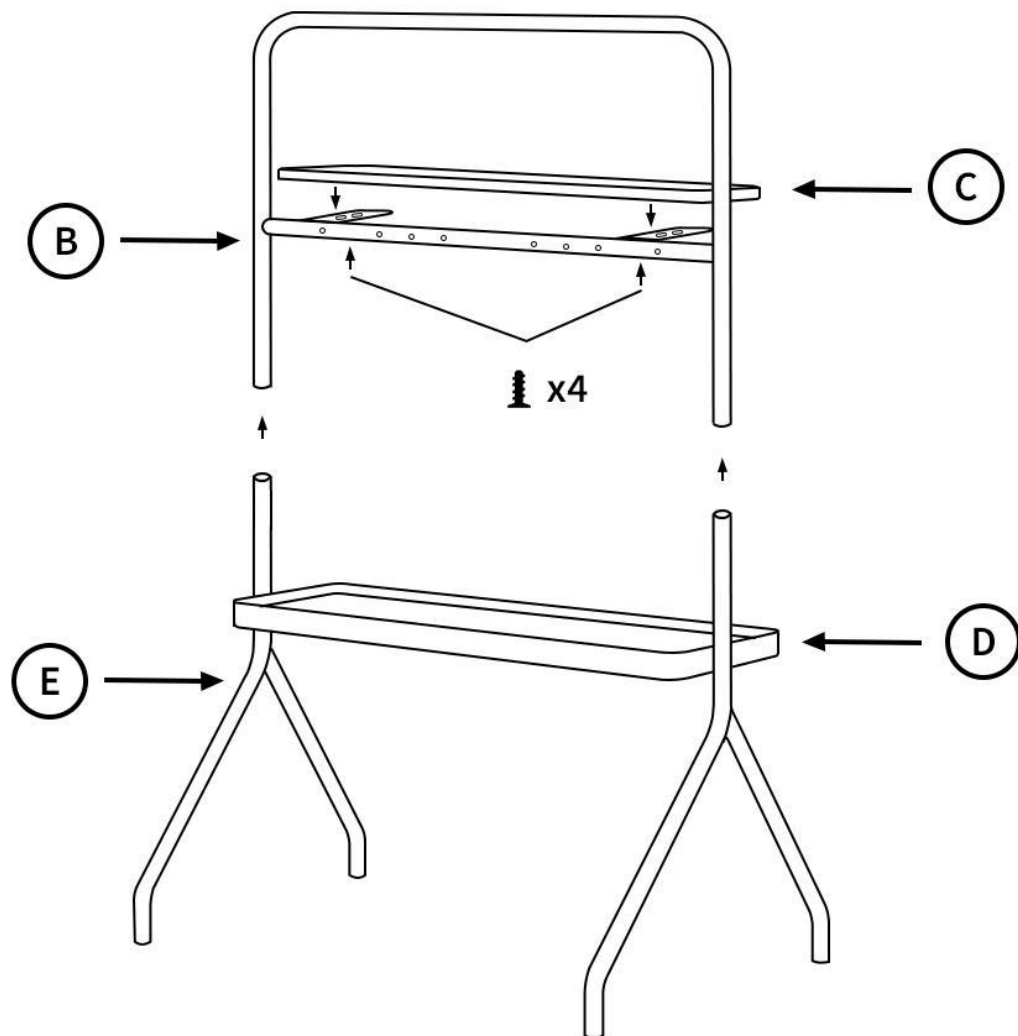
Step 1

Look at the diagram. Connect parts D and E. Put D on top of E. Make sure the screw holes match. Put screw G straight in the hole. Use an L-shaped wrench to tighten screw G.



Step 2

Look at the diagram. Connect parts B and E. Put B straight into E. Then, connect parts C and B. Put C on top of B. Make sure the screw holes match. Put screw G straight in the hole. Use an L-shaped wrench to tighten screw G.



Step 3

Look at the diagram. Put part A straight on top of B. Align the bottom of A with the screw holes on the middle bar of B. Insert the screws and nut H. Tighten them with a wrench. Finally, put part F into E. The TV stand is complete.

