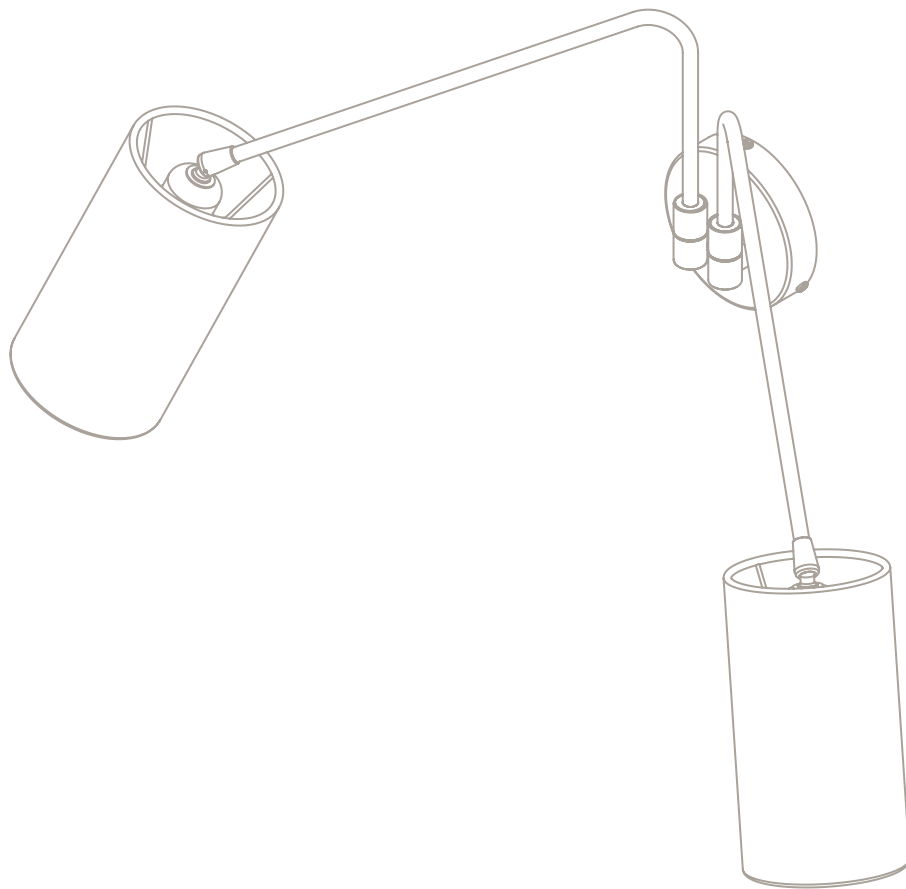


## ARRAY TWIN COTTON WALL

Installation Guide



!

Please handle with care and wear gloves at all times during assembly and installation to avoid damaging components.

## TECHNICAL

**Bulb Holder**  
240v - 2 x E27  
120v - 2 x E26  
(bulbs not supplied)

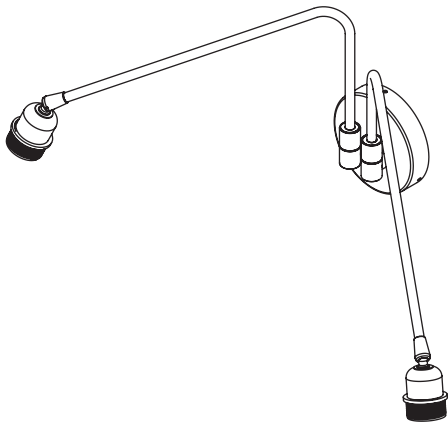
**Wattage**  
25w max (or 2.5w LED 2700k)

**Weight**  
2kg (4.4lbs)

## PARTS & COMPONENTS

- A. 1 x Array Twin
- B. 1 x zintech
- C. 2 x shades

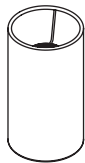
A.



B.



C.

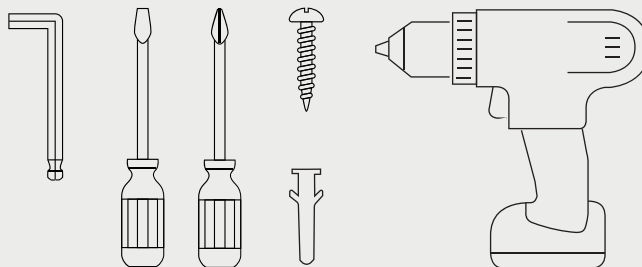


- All nuts and bolts required for the installation will be included in the delivery.



## BEFORE INSTALLATION

- Check that you have all components before starting the installation.
  - Installation must be carried out by a qualified electrician.
  - A minimum of two people is required to install a pendant light.
- Check that the ceiling or wall fixings are suitable and strong enough to support the weight of the light fixture.
  - You will need the below specific tools for a successful installation.

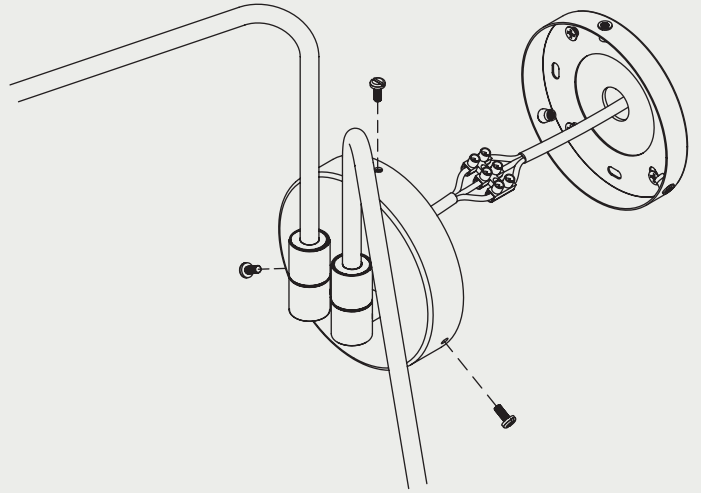
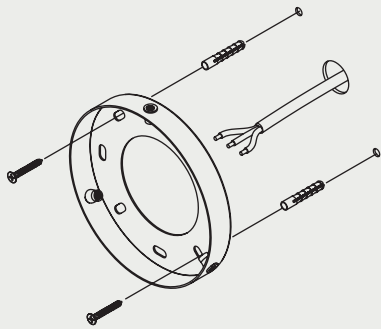


1. Make sure the wall is suitable to support the weight of the fixture, drill 2 holes and put in raw plugs.

Securely screw the zintec into place, we do not supply these screws.

Connect the fixtures electrical cables (trimming excess wire) to the mains cable using a terminal block (not provided). Make sure all the wires are colour matched and the fixture is earthed correctly.

Bring the besa box to the zintec and put in all three screws securely.

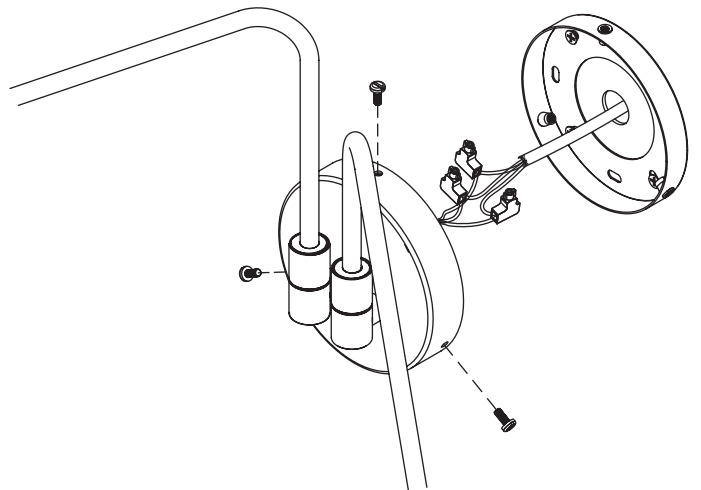
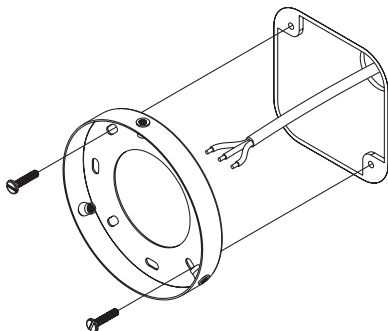


1. US Attach the adaptor plate onto the junction box, we do not supply these screws.

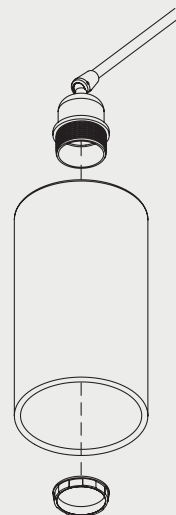
Connect the fixtures electrical cables (trimming excess wire) to the mains cable using a wire nuts (not provided). Make sure all the wires are colour matched and the fixture is earthed correctly.

Gently push the electrical connections into the junction box.

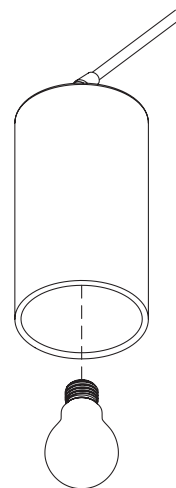
Bring the besa box to the zintec and screw in all three screws securely.



2. Undo the shade rings, gently put the shades onto the lampholders and then screw the shade rings back on locking the shades into place.



3. Screw the bulbs (not supplied) securely into the lampholders.



## MAINTENANCE

### Cleaning

Dust using a dry lint-free cloth weekly or as required

### Repairs

Contact  
CTO Lighting

### Warranty

Please visit  
[www.ctolighting.co.uk/  
pages/f-a-q](http://www.ctolighting.co.uk/pages/f-a-q)  
for CTO warranty policy

### Certification

CE cUL US  
E492308