

DWS 55100 SERIES

8 Place settings
Top control screen



Main Features

- 4 programs
- 3 wash temperatures
- Brushless DC™ motor
- Condensing drying system
- 49 dBA wash noise level
- Program follow-up display
- Time delay up to 1-24 hrs.
- Auto tablet detergent function
- 1/2 load function
- Extra Rinse function
- Extra Drying function
- Rapid Clean function
- 3 way euro filtering system
- smartFIT™ front adjustable rear feet
- smartBALANCE™ front adjustable hinge system
- smartPIN™ joint handle system
- Interior highloop with air gap
- Power plug

Interior design

- All stainless steel tank
- Three spray arms (lower, upper and ceiling)

Premium rack loading system

- FlexiRack™ loaded adjustable upper rack
- Upper and lower rack handle
- 4 adjustable mug shelves
- Sliding cutlery basket
- smartFOLD™ plate supports on lower rack

Color

- DW 55100 SS: Stainless steel
- DW 55100 FBI: Fully Integrated



FEATURES



8 Place settings

Blomberg dishwashers can perfectly clean dishes upto 8 place settings without leaving any piece of cutlery out.



Digital display

The electronic display is a quick and easy way to select your programs. Additionally, models with top control panel with numerical display offer a noise level adjustable “end of cycle audible signal”. Hidden control panel prevents your children from changing programs and playing with your dishwasher.



Rapid Clean

The dishwasher increases the washing temperature and adjust the water pressure to provide up to 2 times faster cleaning performance.



Double motion float system

All Blomberg dishwashers have a double motion float system (DMFS) that provides maximum security against water damage and a bottom tray to prevent flooding.



Auto Tablet

Sensors detects rinse aid and automatically sets drying cycle duration. This provides the best drying results without any concern.



Brushless DC™ motor

Variable speed circulation motor allows to use optimum necessary amount of water and energy. Due to magnetic design the motor has no persistent low frequency sound, and creates less vibration.

Blomberg®

seit 1883

DWS 55100 SERIES

8 Place settings Top control screen

CONTROLS

Control Type	Electronic
Position	Top

MAIN FEATURES

Loading Capacity (place settings)	8
Tub material	Stainless Steel
Inner door material	Stainless Steel
Water Softener	-
DMFS overflow protection	✓
5 level wash with 3rd spray arm	✓
Delay timer up to 1-24 hrs	✓
3 way euro filter	✓
Drying	Condensation
Turbidity sensor	✓
Silence level, dBA	49 dBA
Auto Tablet function	✓
1/2 Load function	✓
Sanitize function	-
Extra Rinse function	✓
Extra Drying	✓
Rapid Clean function	✓
SmartPIN™ joint	✓
Interior high loop with airgap	-
Power Plug	✓

PROGRAMS

Number of programs	5
ProCare	✓
Pots and pans plus (167°F rinse temp)	✓
Regular wash (142°F-145°F rinse temp)	✓
DailyWash	✓
China/crystal (149°F rinse temp)	✓
Quick wash (131°F rinse temp)	✓
Rinse & Hold	✓

DISPLAY

Program sequence	✓ / Screen
Rinse aid indicator	Electronic
Rinse aid indicator display	✓
Salt indicator display	-
Light Indicator on Floor	✓

RACK SYSTEM

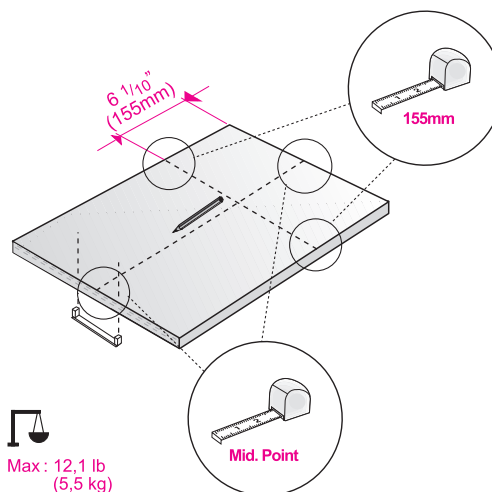
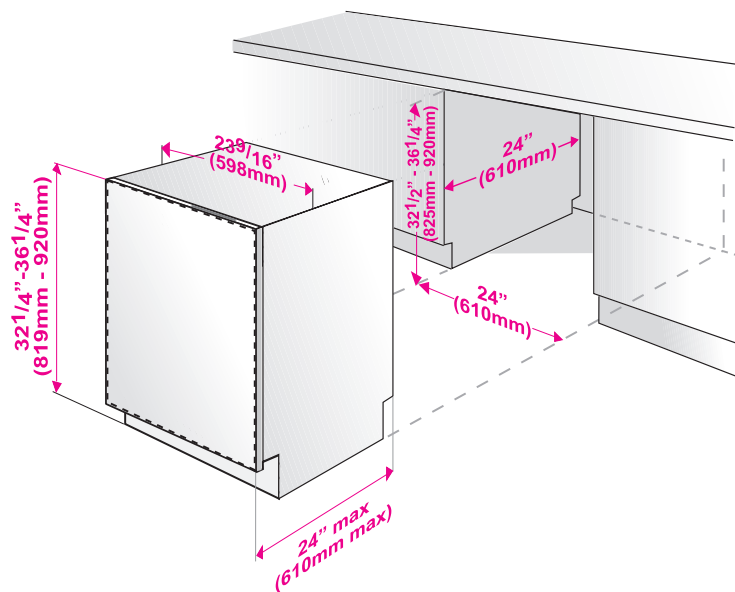
smartFOLD lower rack folding tines	✓
Lower rack embossed stainless handle	-
Cutlery basket	Standard
Upper rack (inset shelves)	4
smartFOLD, upper rack folding tines	-
FlexiRack, adjustable upper rack	Loaded
Nylon coated racks	✓

DIMENSIONS

Packed (HxWxD)	in	34 3/8 x 19 3/16 x 26
	cm	85.9 x 49.4 x 66.1
Packed Weight	(lb/kg)	81/37
	Unpacked (HxWxD)	in
Unpacked Weight	cm	82 x 45 x 57
	(lb/kg)	75/34

ENVIRONMENTAL STANDARDS

Energy Star qualified	✓
Energy consumption, kWh/year	220
Water consumption, gal/cycle	2.54 - 4.07
RoHS* compliant	✓



* Lead-free

Blomberg®

seit 1883