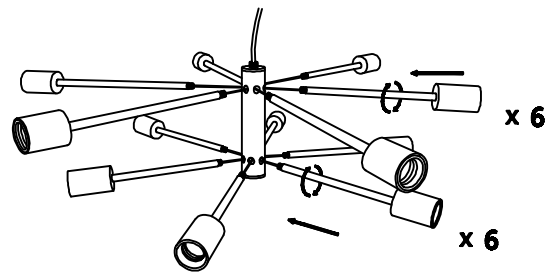
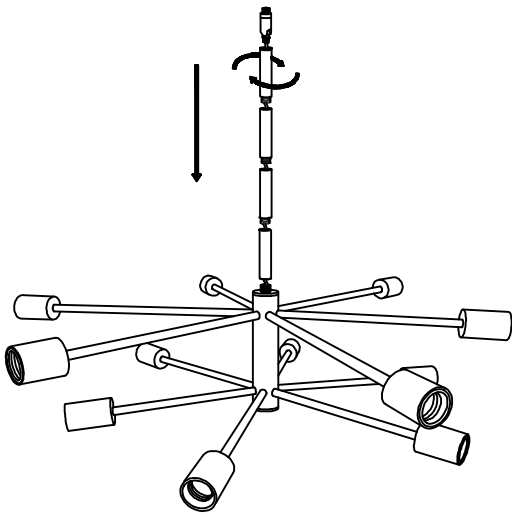


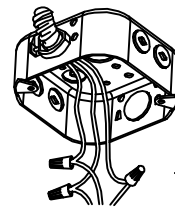
①



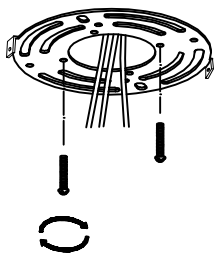
②



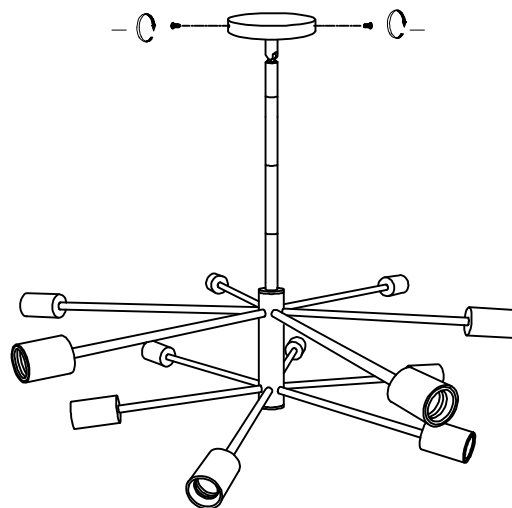
③



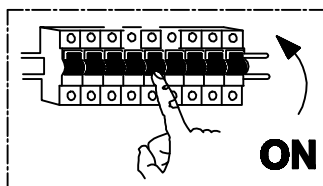
④



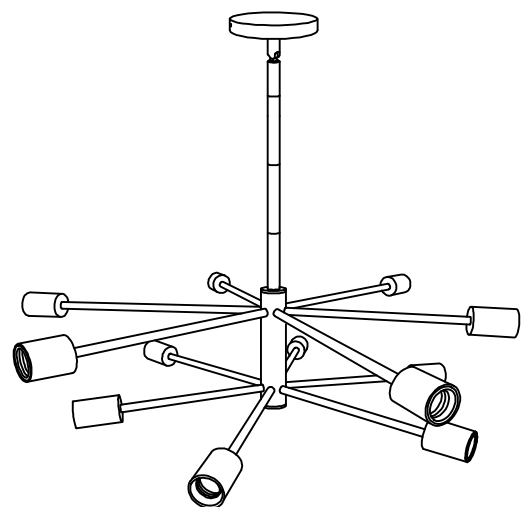
⑤



⑥



⑦



- 1 : Please turn off the power first
- 2 : Screw the lamp arm into the lamp body
- 3 : Connect the tube tight by turning.
- 4 : Screw on the terminal cap in the correct way
- 5 : Screw the hanging board to the junction box
- 6 : The screws on both sides of the STB are fixed on the hanging board
- 7 : Turn on the power switch and test the brightness