




Assembly Instructions

Caution : You must read this before you proceed

Care & Maintenance

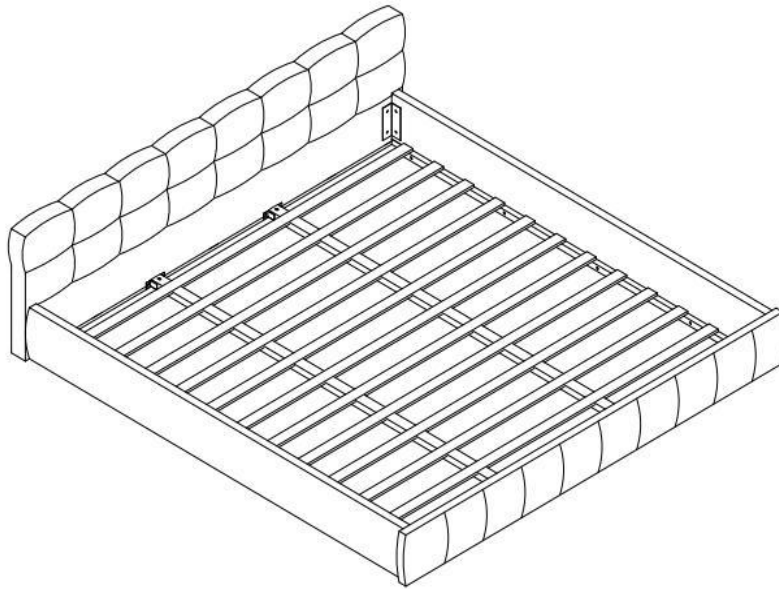
- ⊘  • Not for commercial use. For residential use only.
- ✓  • Furniture may scratch floors. We recommend using furniture pads to protect your floors.
- ⊘  • Do not put hot items directly on furniture surface.
- ⊘  • Do not clean furniture with harsh cleansers or polish.
- ⊘  • Do not place furniture under direct sunlight.
- ⊘  • Do not place furniture near heating or cooling vents.
- ⊘  • Do not write on furniture without a padded barrier to protect the surface.
- ⊘  • Do not place furniture outside . For indoor use only.
- ⊘  • Stains may be removed with mild soap solution and damp cloth.
- ⊘  • Children should not climb or jump on the furniture.



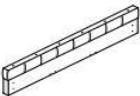
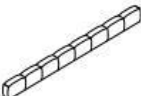






- Dust and pick-up spills using a clean, non-colored, lint-free cloth.

Please look in carton for hardware packs and legs.
Sets often ship in multiple boxes and may arrive a day or two apart.







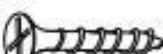


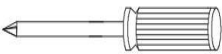
Upholstered Bed



Parts List

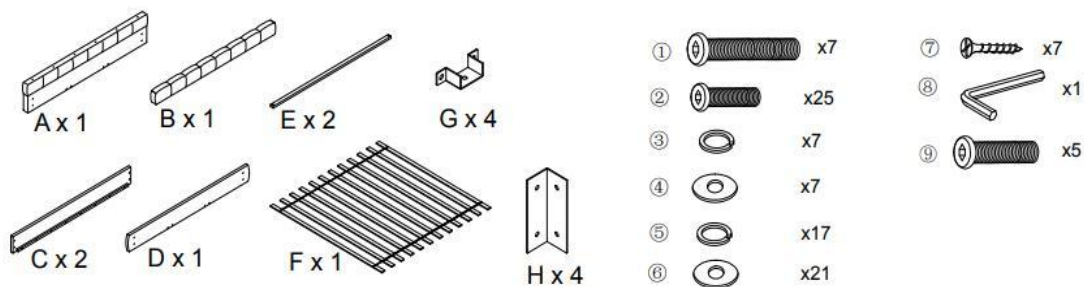
Label	Picture	Description	QTY
A		Lower Bed head	1
B		Upper Bed head	1
C		Side Rail	2
D		Bed End	1
E		Middle Pallet	2
F		Bed Slat	1
G		Iron Bracket	4
H		L-Iron	4

Hardware

Label	Picture	Description	QTY
①		Bolt Ø5/16"×1-1/2"	7
②		Bolt Ø1/4"×1"	25
③		Spring Washer Ø5/16"	7
④		Flat Washer Ø5/16"	7
⑤		Spring Washer Ø1/4"	17
⑥		Flat Washer Ø1/4"	21
⑦		Screw #8×1"	7
⑧		Allen Wrench 4.0×21×57	1
⑨		Bolt Ø1/4" x 1-1/2"	5
⑩		Screwdriver (Not provided)	1

Assembly Preparation

Before
Beginnin
g
Assembly
:



- Read instructions, cover to cover-



- Have 2 adults on hand for assembly-



- Do not assemble on flooring or carpet-



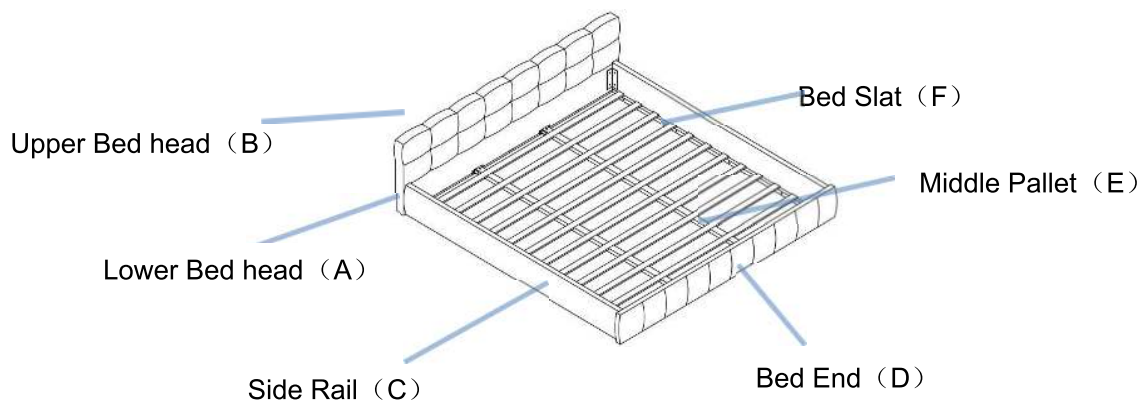
- Assemble on a clean non-marring surface (packing foam)-



- Save all packaging until finished-

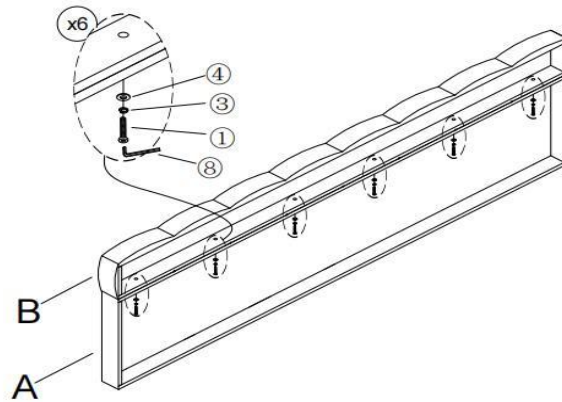
Assembly Steps

Overview



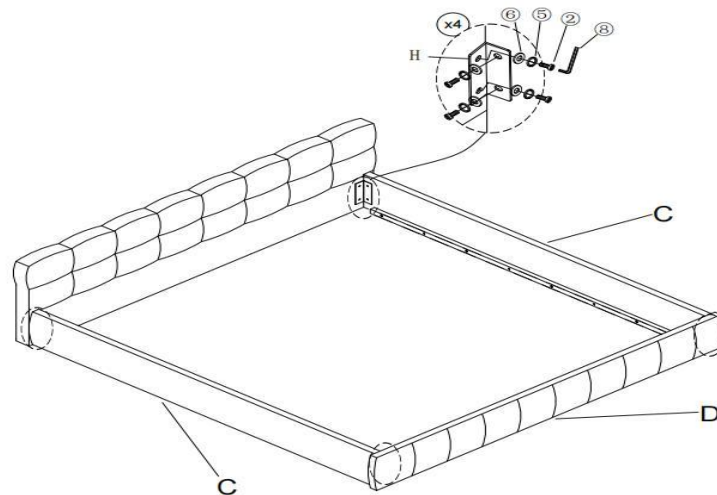
This Upholstered Bed has multiple parts and may require up to some 30 minutes to assemble. To give you an overview of the Upholstered Bed parts, the above picture is to help you put the various parts into perspective. Please read through the instructions below to familiarise yourself with the parts and steps before assembly.

Step 1



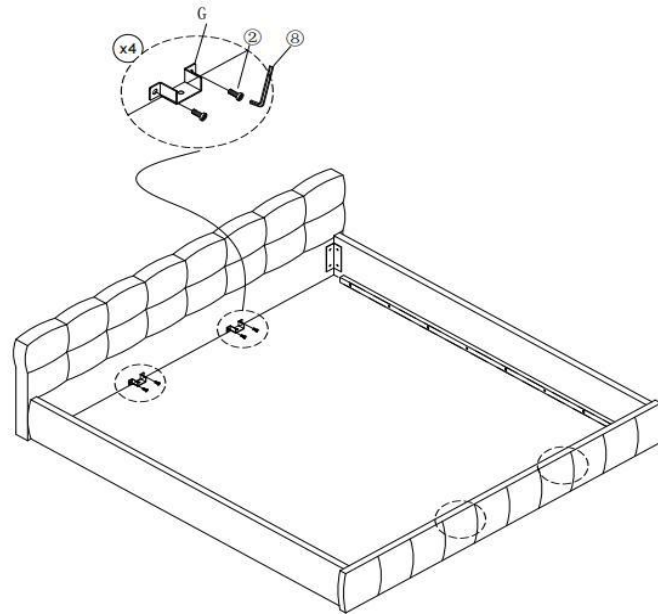
Attached Upper Bed head (B) to Lower Bed head (A) by using Bolts (1) , Spring Washers (3) , Flat Washers (4) and Allen Wrench (8) .

Step 2



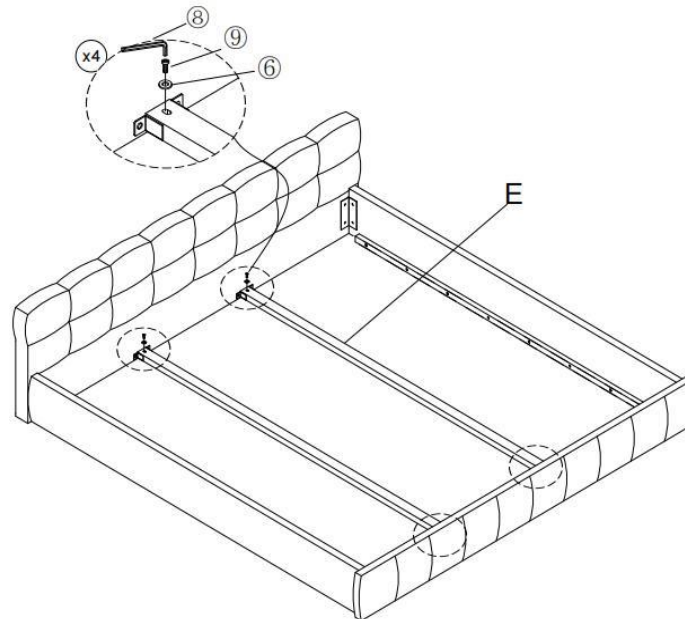
Attached L-Iron (H) to Side Rail (C) ,Bed End (D) and Lower Bed head (A) by using Bolts (2) , Spring Washers (5) , Flat Washers (6) and Allen Wrench (8) .

Step 3



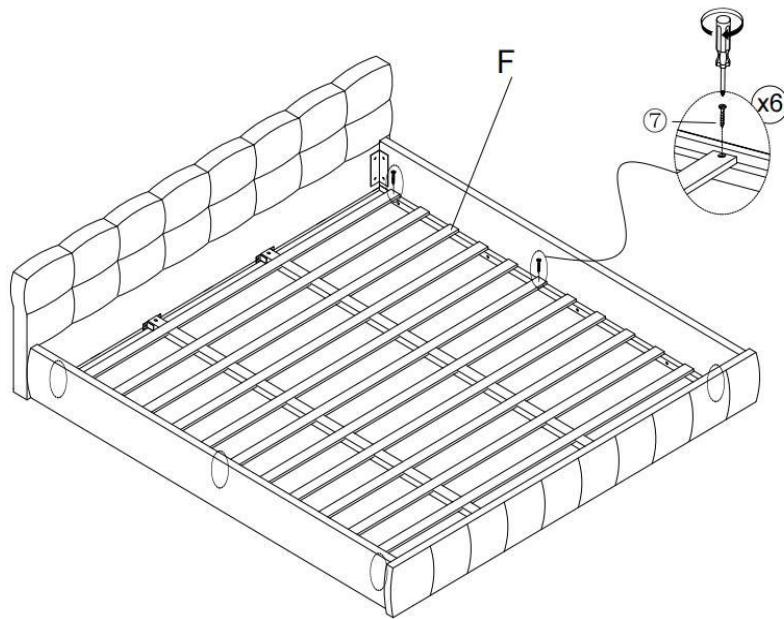
Attached Iron Bracket (G) to Bed End (D) and Lower Bed head (A) by using Bolts (2) and Allen Wrench (8) .

Step 4



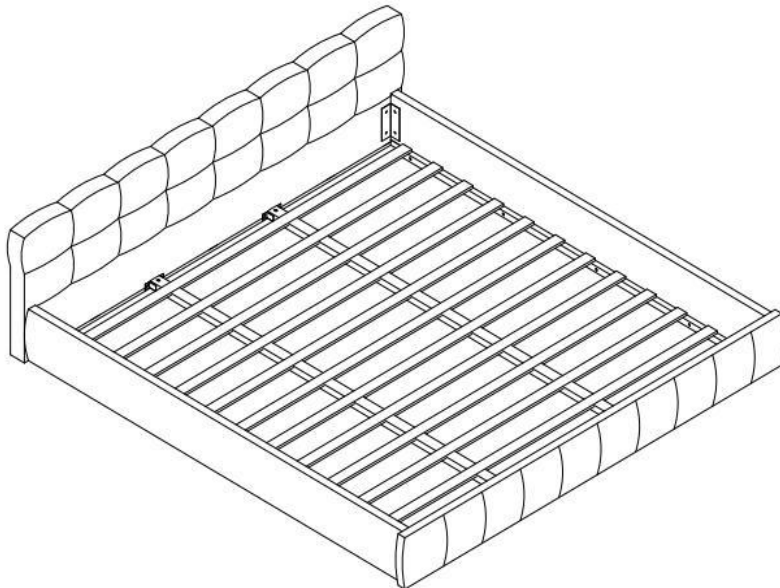
Attached Middle Pallet (E) to Iron Bracket (G) by using Bolts (9) , Flat Washers (6) and Allen Wrench (8) .

Step 5



Attached Bed Slat (F) to Side Rail (C) by using Screw (7) .

Step 6



Your Upholstered Bed is ready for use.
This Upholstered Bed can only be used on a flat, level surface.