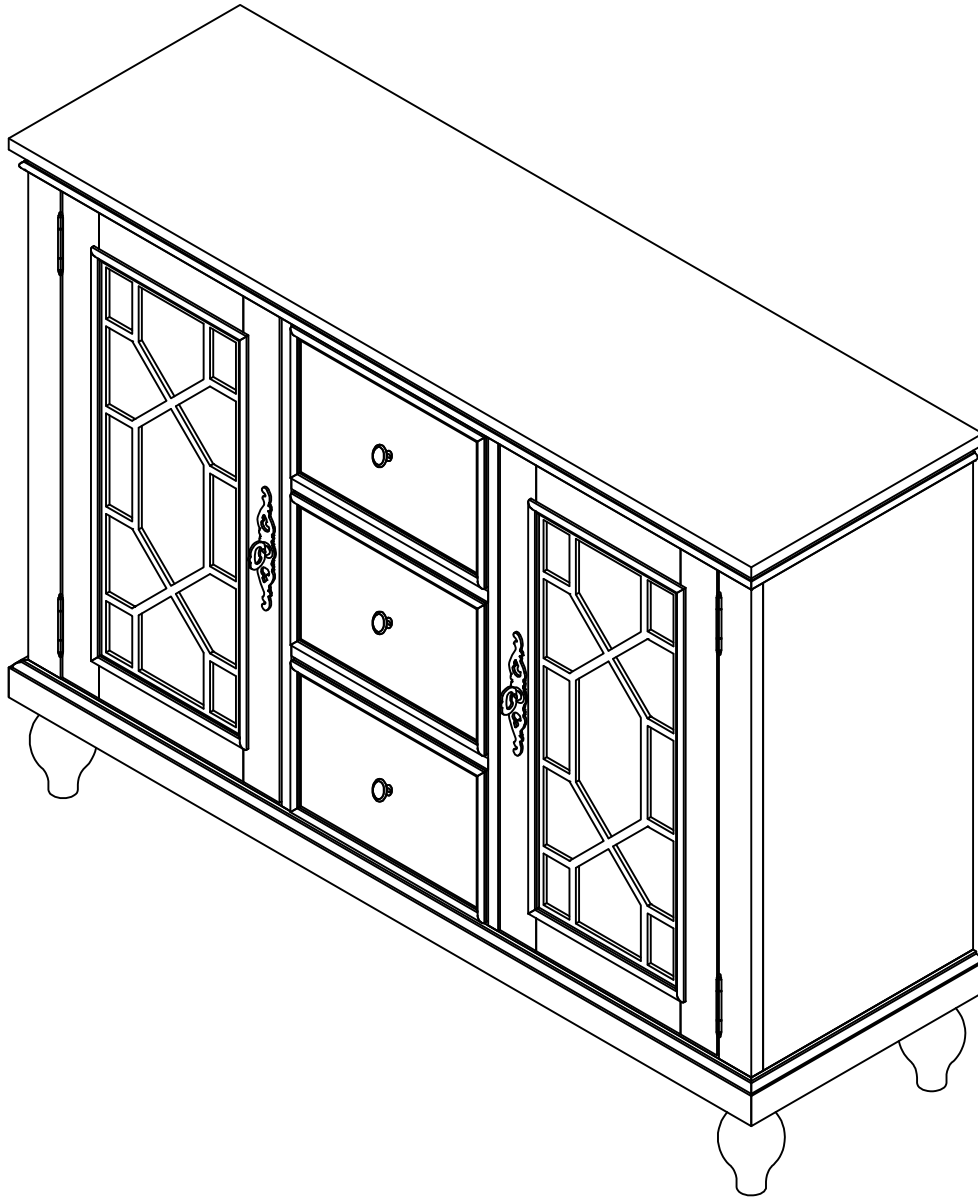
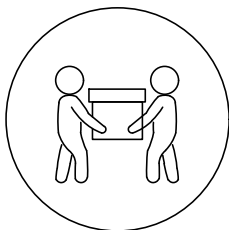


ASSEMBLY INSTRUCTIONS

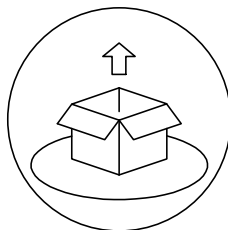


Notice:

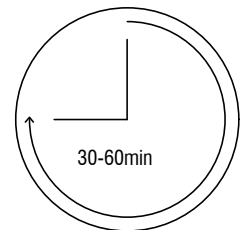
1. Follow the installation instructions. Please confirm all accessories are present before installation.
2. Do not fully tighten the screws during initial assembly. Tighten them completely only after all pieces are correctly aligned.
3. If you encounter any issues during installation, please contact our customer service for assistance.
4. Unbox the item from the side labeled "Open" and lay a protective mat or cloth on the floor to avoid scratches.



Recommended Assembly:
2 people

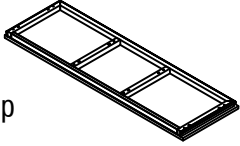
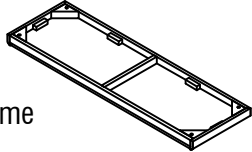
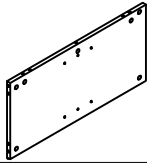
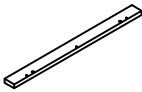
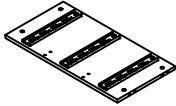
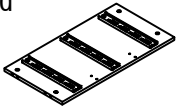
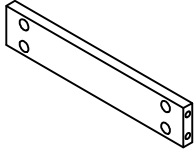
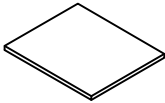
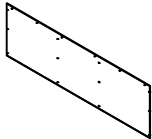


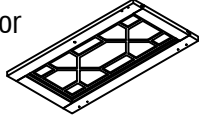
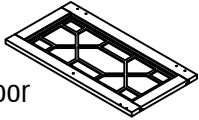
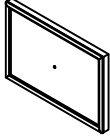
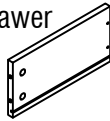
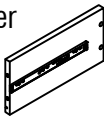
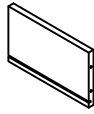
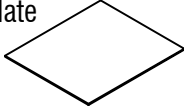

Lay a protective mat
or cloth




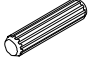
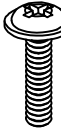
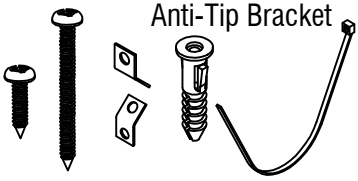

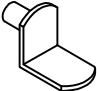
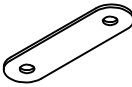
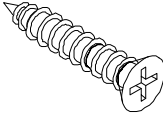
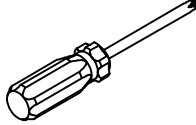
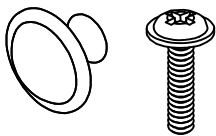
Estimate installation
time

Accessories List

Item no.	Reference Image	Qty
1	Cabinet Top 	1
2	Bottom frame 	1
3	Side panel 	2
4	Enterprise Pillar 	2
5	Left neutral board 	1
6	Right neutral board 	1
7	Cross rail 	2
8	Shelf 	2
9	Back Panels 	2

Item no.	Reference Image	Qty
10	Left cabinet door 	1
11	Right cabinet door 	1
12	Drawer panel 	3
13	Left side panel of drawer 	3
14	Right side panel of drawer 	3
15	Drawer back panel 	3
16	Drawer bottom plate 	3
17	Leg 	4

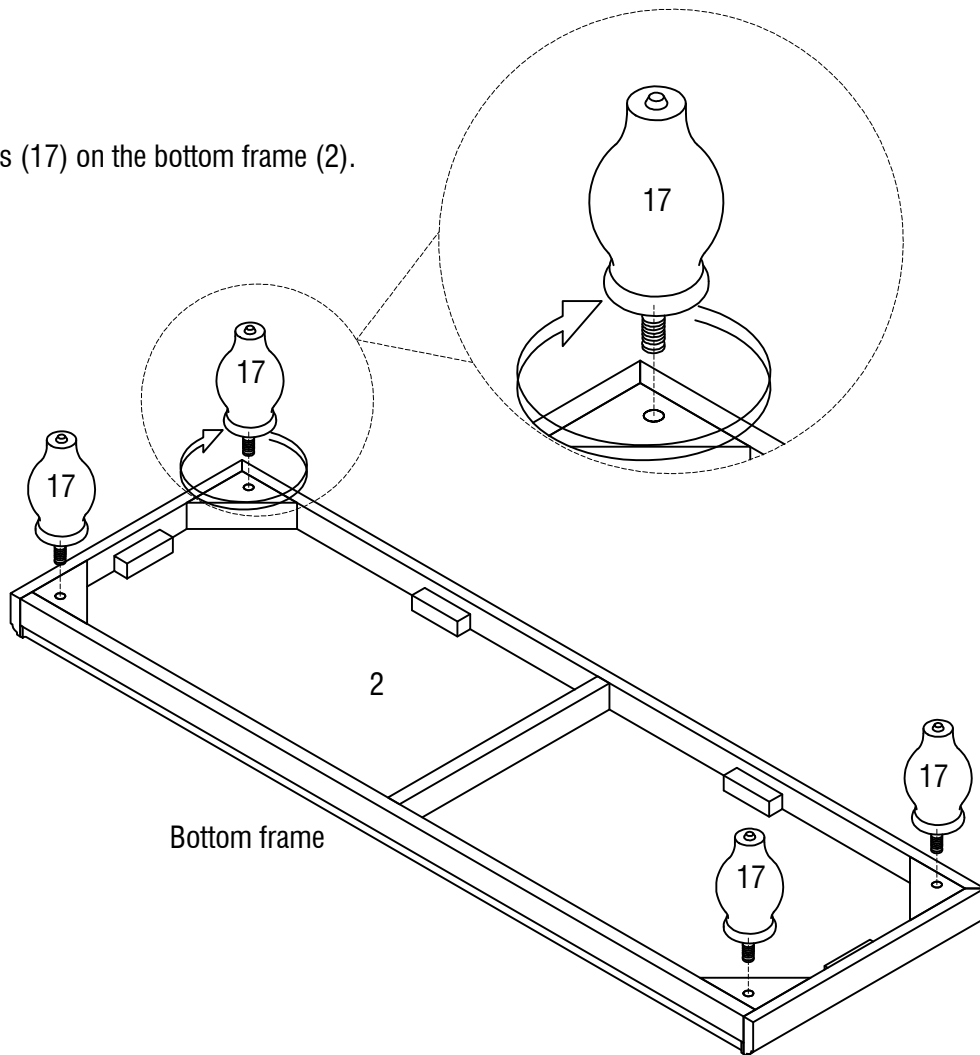
Hardware List

Item no.	Reference Image	Qty	Item no.	Reference Image	Qty
A	M6*36 	42+2	K	46*16*14 	2
B	Ø15*9 	42+2	L	167*23*8 30*26*9 	2
C	Ø8*30 	20+2		M4*28 	2
F	M3*16 Umbrella head screw 	40+2	M	85*29*28 	4
G	 Anti-Tip Bracket	2	N	M3*16 Flat head screw 	32+2
H	Ø6*10 	8	O	45*12*1 	2
I	M4*30 	12+1	P		1
J	Ø31*25 M4*20 	3			

ASSEMBLY INSTRUCTIONS

1

Install the Legs (17) on the bottom frame (2).

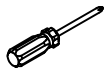


ASSEMBLY INSTRUCTIONS

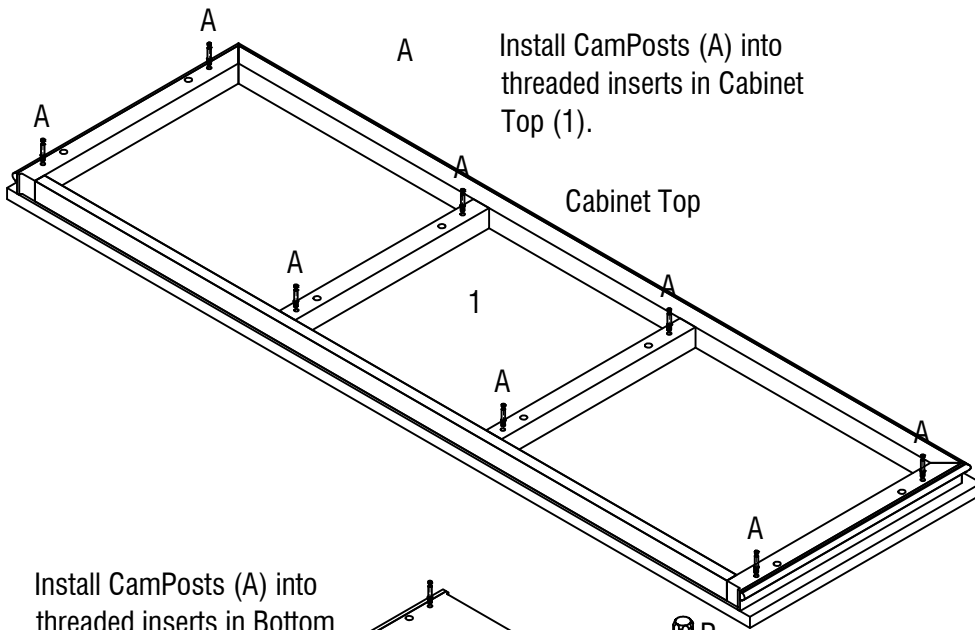
2



A 30pcs



P 1pc

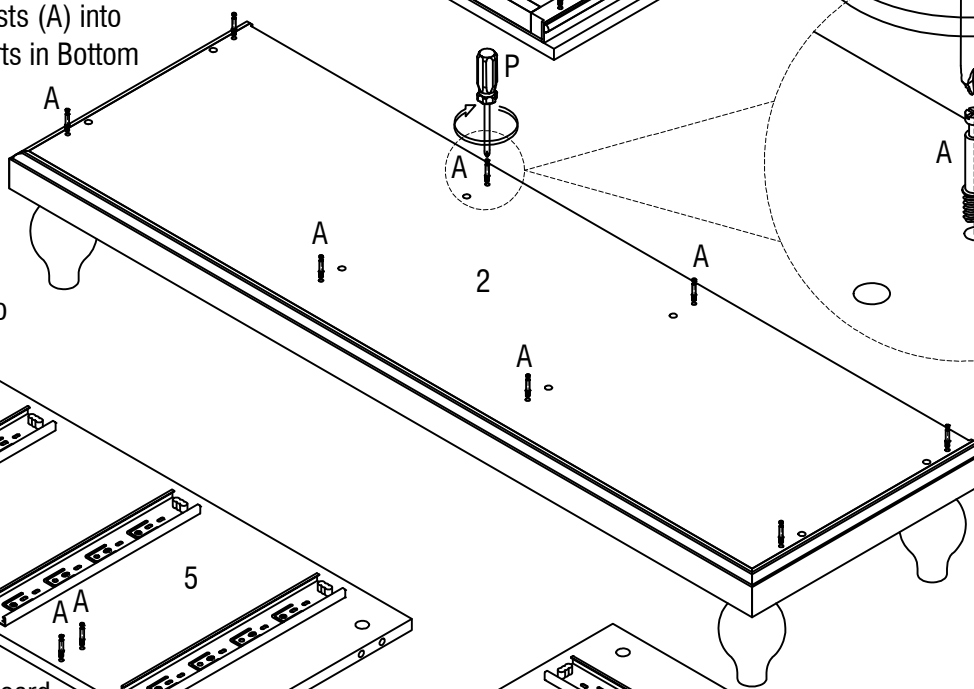


Install CamPosts (A) into threaded inserts in Cabinet Top (1).

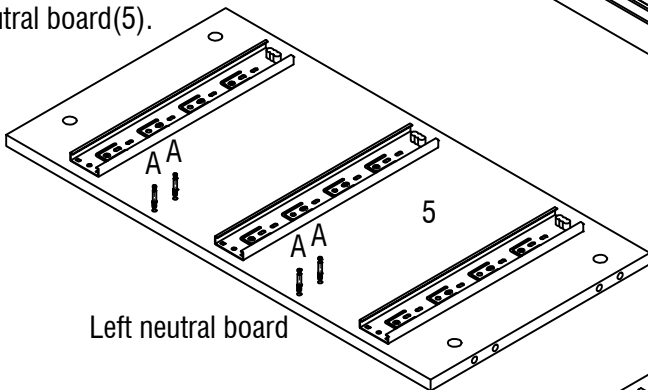
Cabinet Top

1

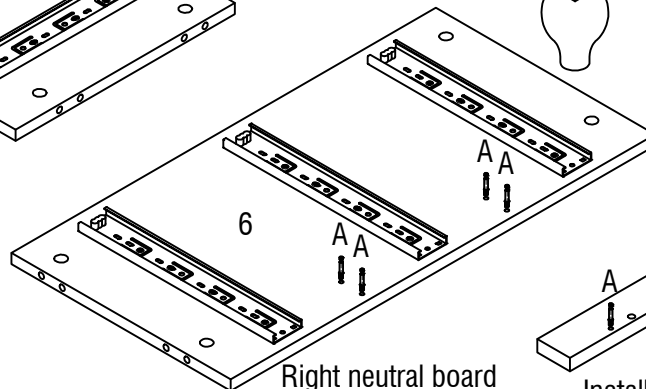
Install CamPosts (A) into threaded inserts in Bottom Frame (2).



Install CamPosts (A) into threaded inserts in Left neutral board(5).



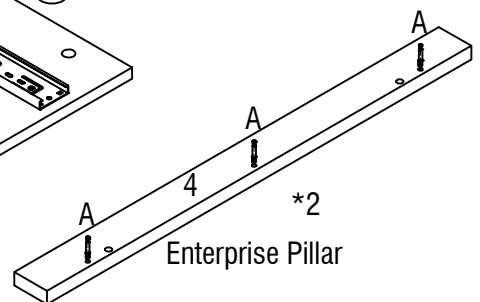
Left neutral board



Right neutral board

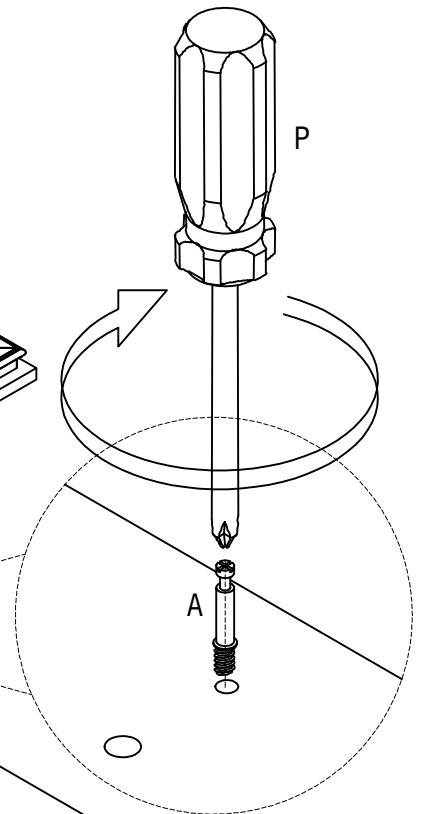
Install CamPosts (A) into threaded inserts in Right neutral board(6).

Pay attention to the direction of the slide rail.




Enterprise Pillar

Install CamPosts (A) into threaded inserts in Enterprise Pillar(4).

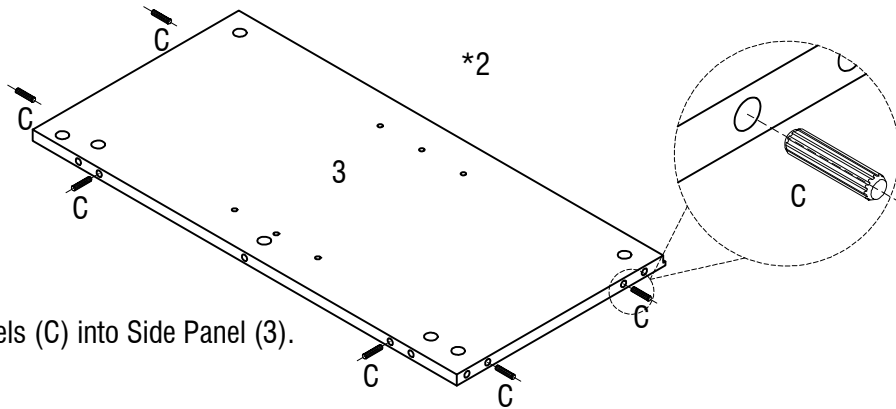


ASSEMBLY INSTRUCTIONS

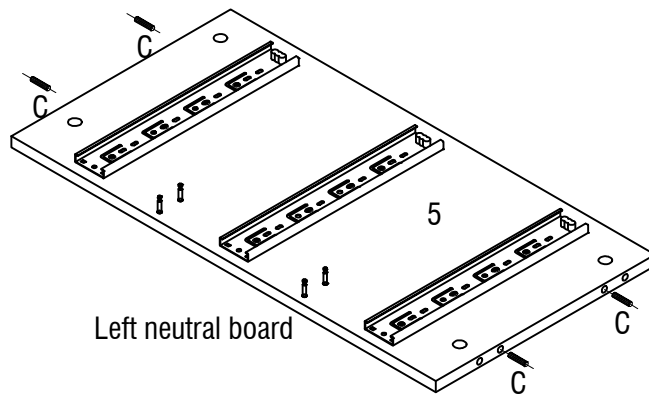
3

Ø8*30 

C 20pcs

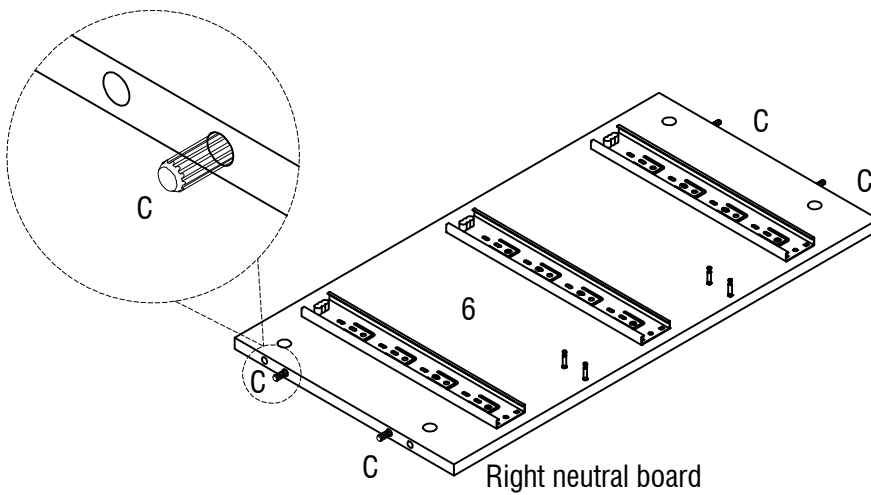


Insert Wood Dowels (C) into Side Panel (3).



Left neutral board

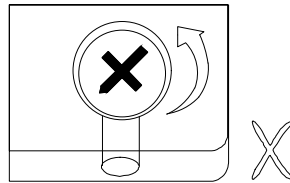
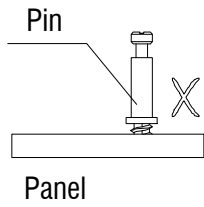
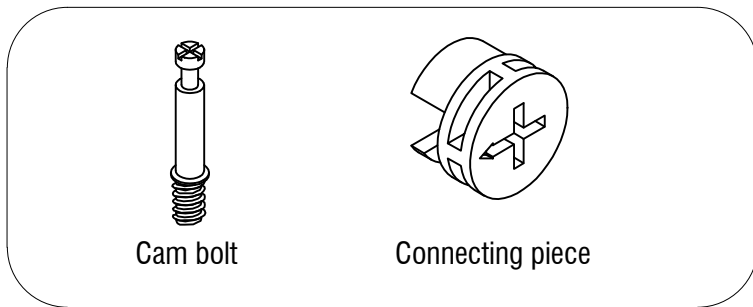
Insert Wood Dowels (C) into neutral board (5,6).



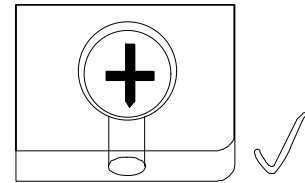
Right neutral board

ASSEMBLY INSTRUCTIONS

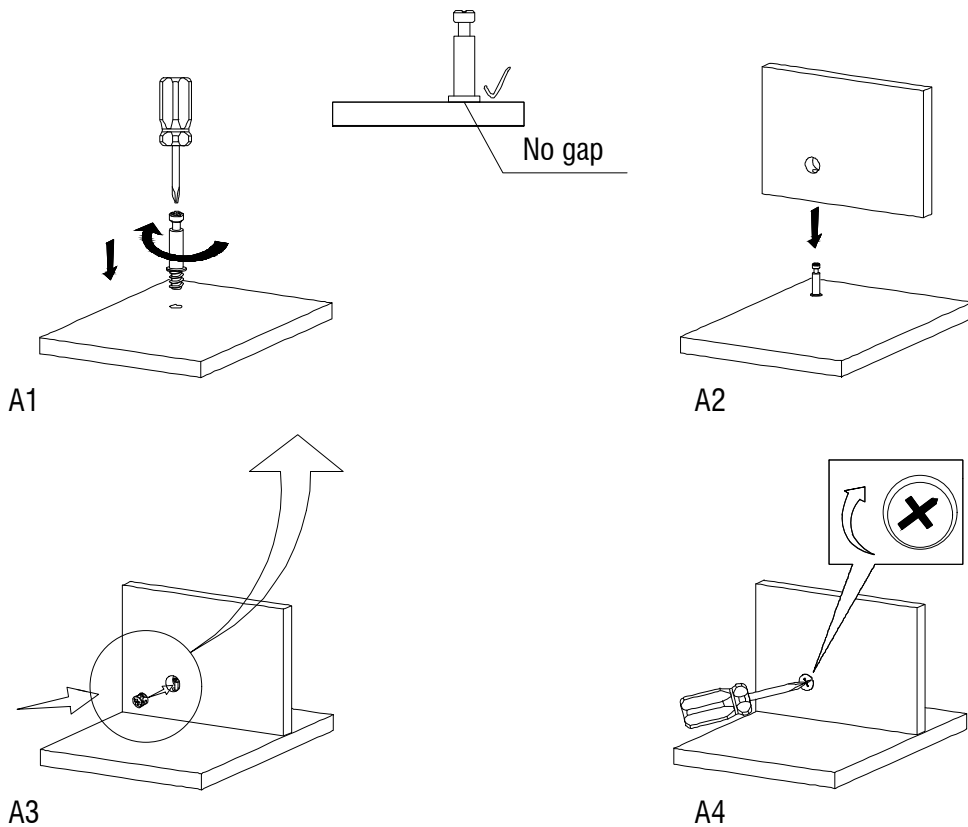
CAM BOLT INSTALLATION AS BELOW:



Rotate connecting piece if found in the position illustrated above.

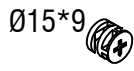


Correct orientation to receive bolts.



ASSEMBLY INSTRUCTIONS

4



B 8pcs

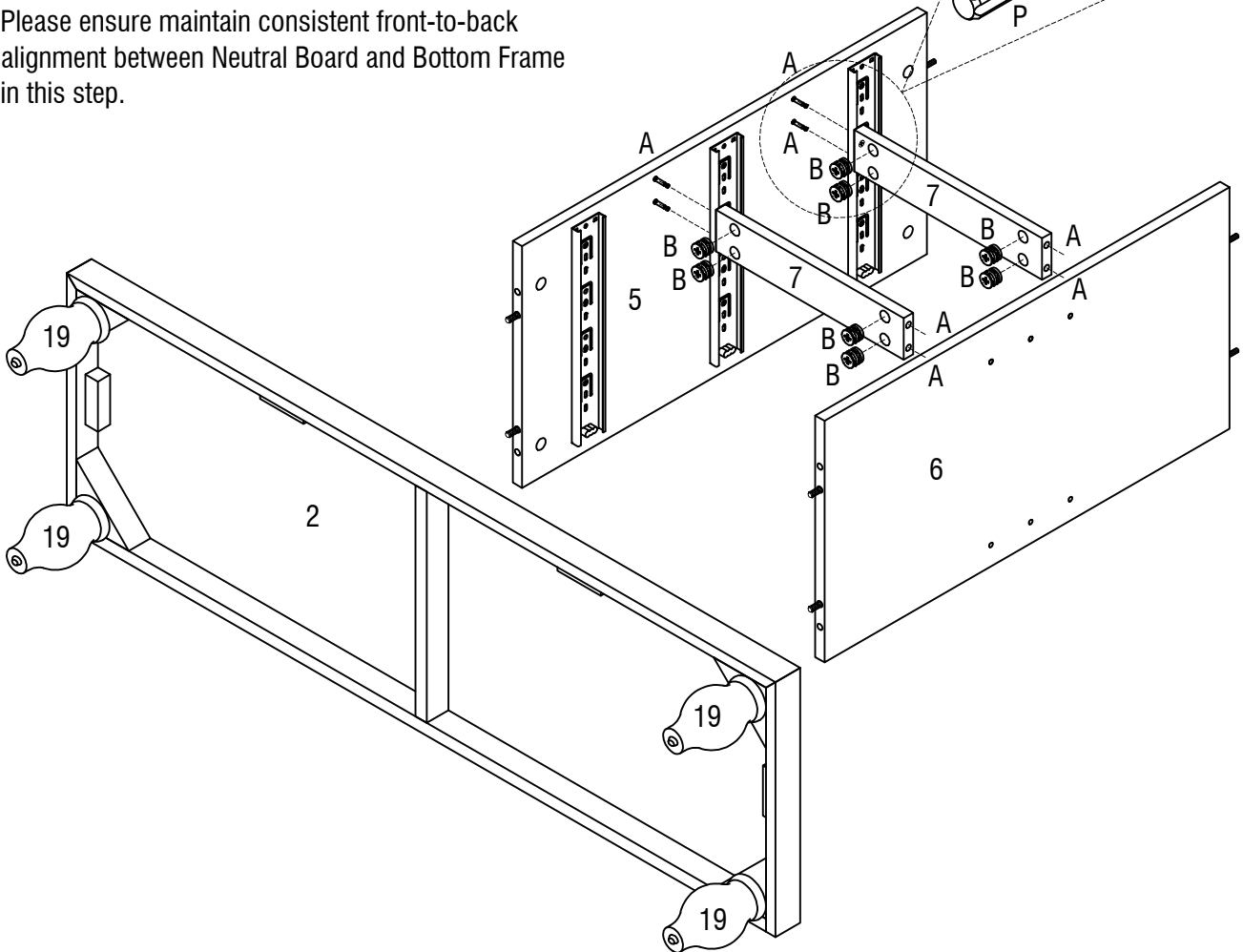
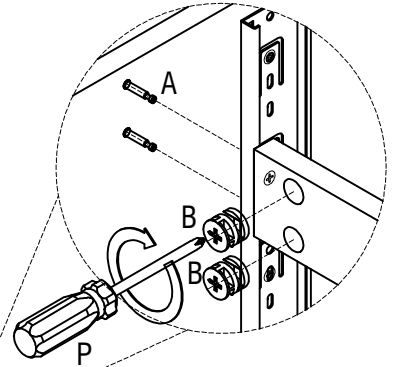
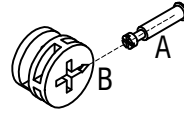


P

NOTE: The arrow on the face of the Cam (B) should point towards the Cam Post (A) for proper alignment.

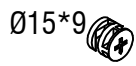
Attach Left and Right Neutral Board (5,6) to Bottom Frame (2) by turning Cams Fastener(B).

Please ensure maintain consistent front-to-back alignment between Neutral Board and Bottom Frame in this step.



ASSEMBLY INSTRUCTIONS

5



B 14pcs

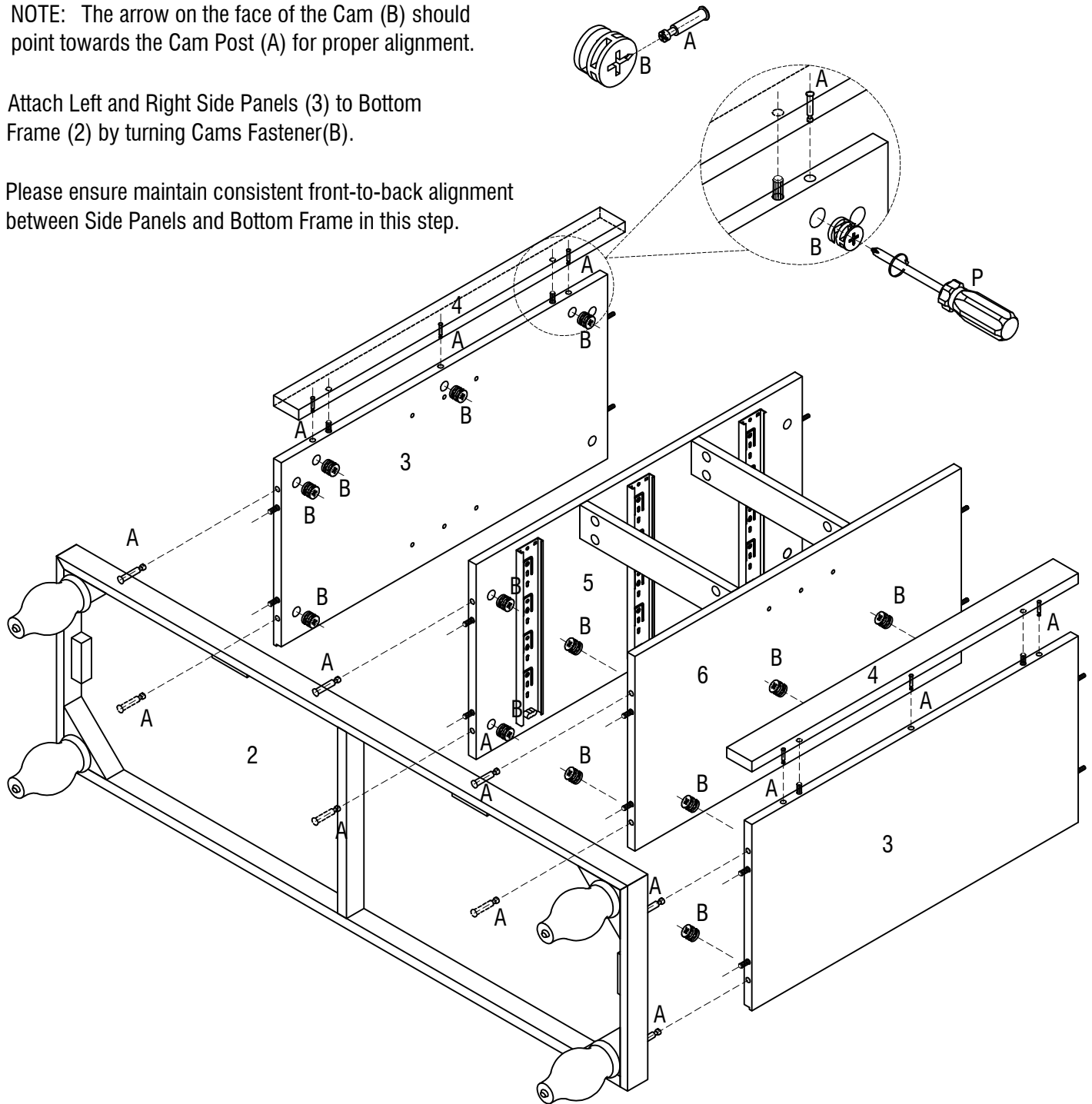


P

NOTE: The arrow on the face of the Cam (B) should point towards the Cam Post (A) for proper alignment.


Attach Left and Right Side Panels (3) to Bottom Frame (2) by turning Cams Fastener(B).

Please ensure maintain consistent front-to-back alignment between Side Panels and Bottom Frame in this step.



ASSEMBLY INSTRUCTIONS

6

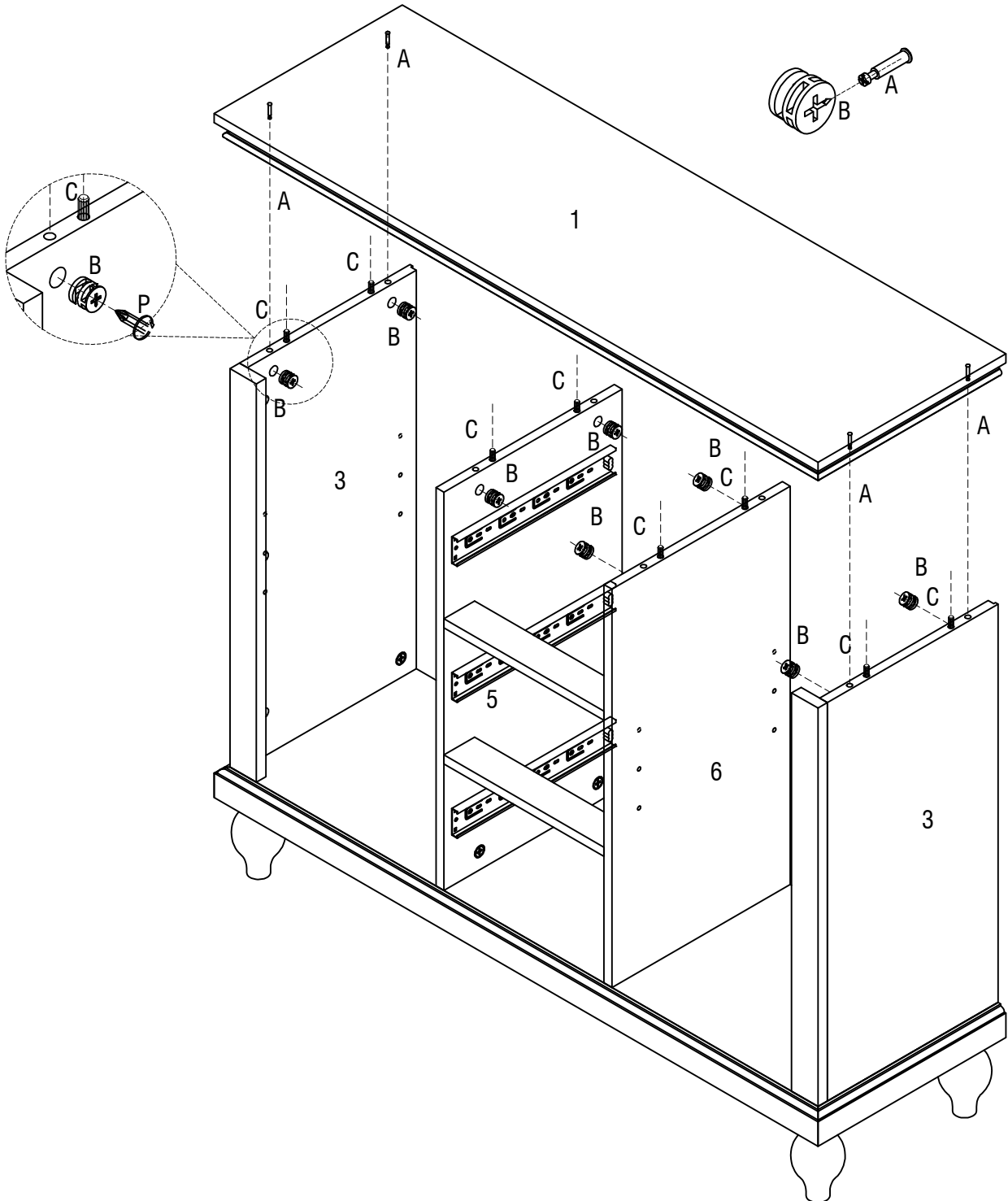
Ø15*9 

B 8pcs



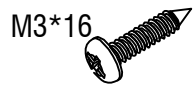
P

Attach Cabinet Top (1) to Side Panels(3) by turning Cams Fastener(B).



ASSEMBLY INSTRUCTIONS

7



F 36pcs



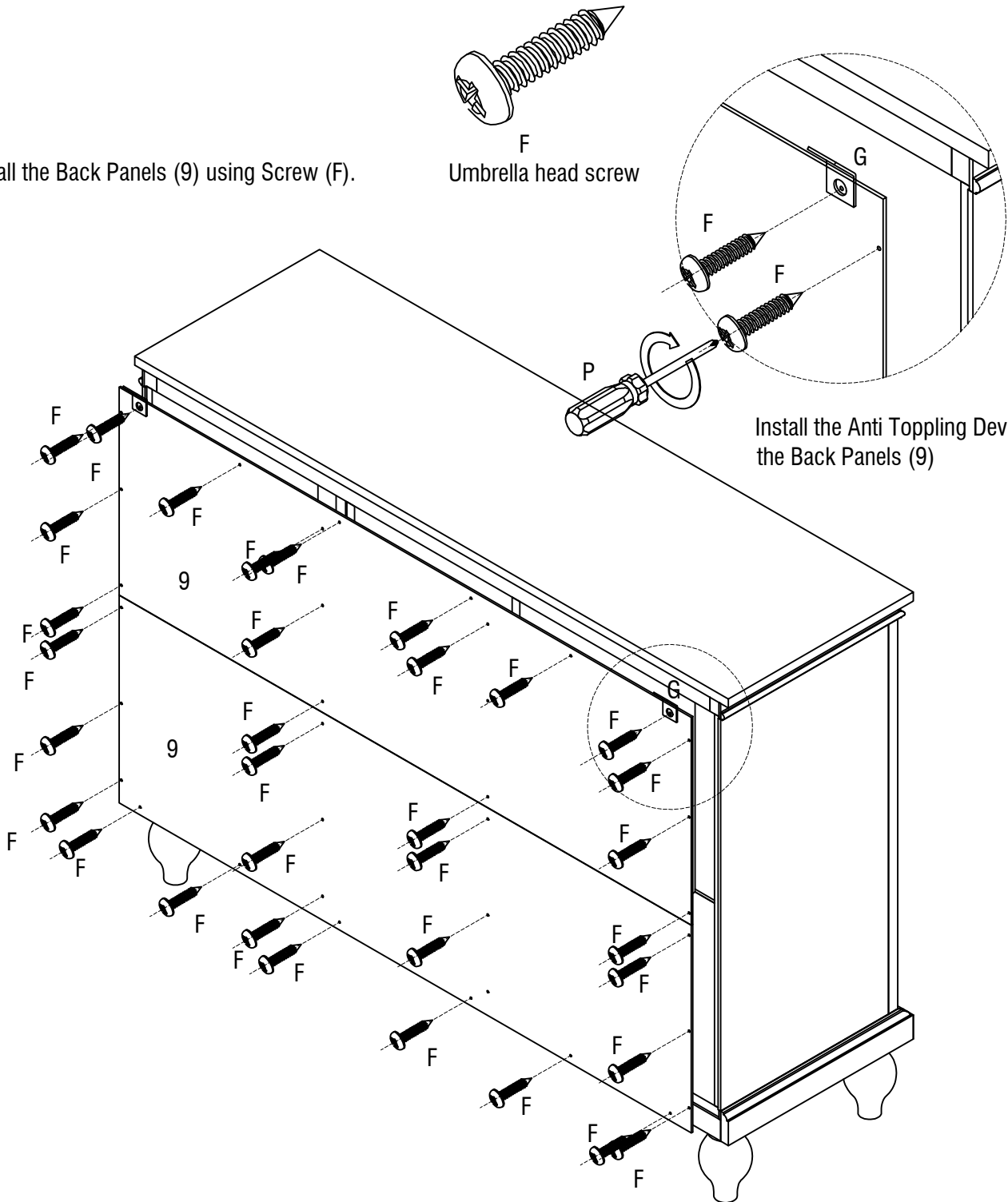
G 2pcs



P

Install the Back Panels (9) using Screw (F).

F
Umbrella head screw



Install the Anti Toppling Device (G) on the Back Panels (9)

ASSEMBLY INSTRUCTIONS

8

45*12*1



O 2pcs

M3*16



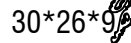
N 12pcs

85*29*28



M 4pcs

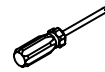
167*23*8



M4*28

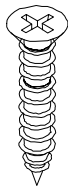


L 2pcs



M

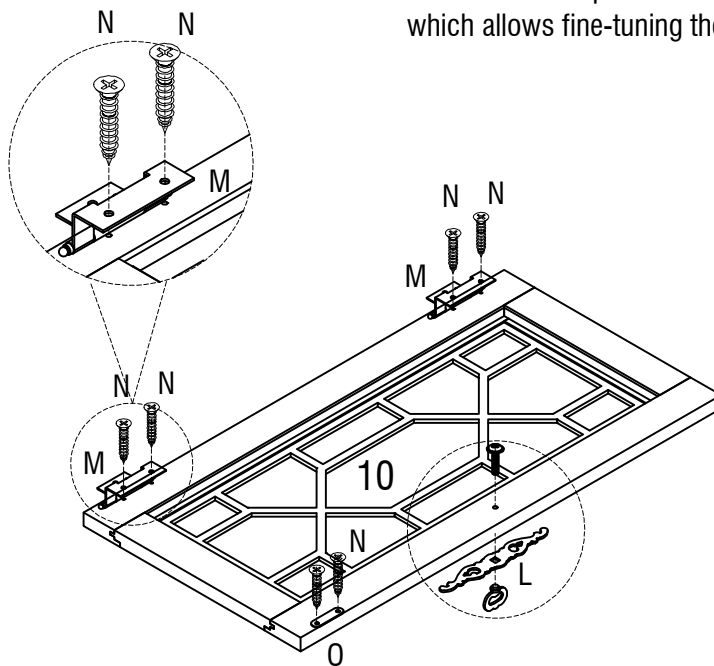
N
Flat head screw



Insert Screw (N) through Hinge (M) into the door guide hole. Partially tighten screws (do not fully tighten yet).

Notice:

Ensure the door panel is fully loosened before standing it upright, which allows fine-tuning the door position in the next step.



Repeat the above steps to install the right door.

ASSEMBLY INSTRUCTIONS

9

46*16*14



K 2pcs

M3*16



F 4pcs

M3*16



N 20pcs

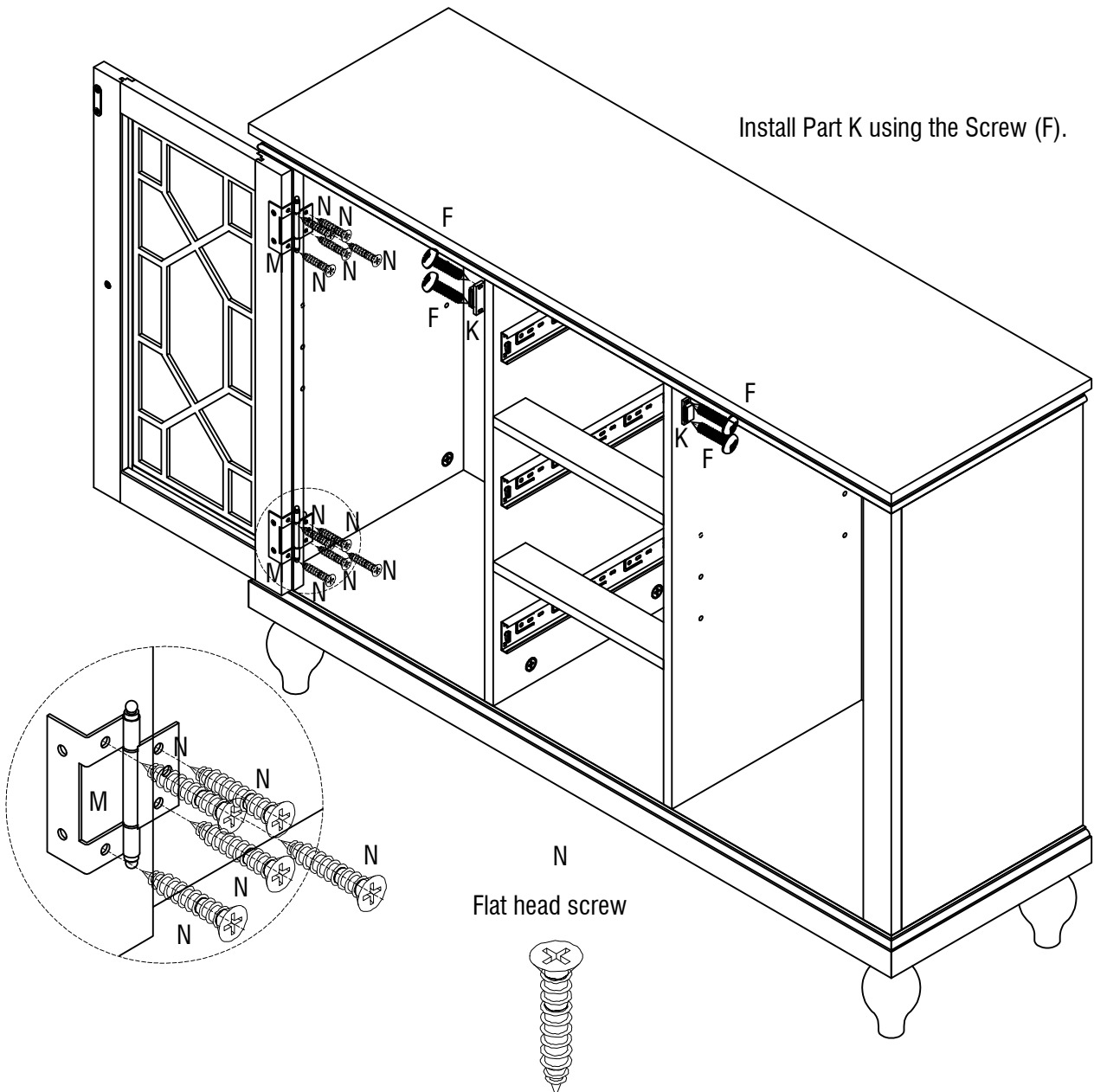


P

Pass Screw (N) through the hole in Hinge (M). Align with the three pillar lead hole on the Side Panel. Partially tighten screws until they are 50-70% engaged (do not fully tighten).

Close the door and adjust seam gaps around all edges. After debugging, tighten each screw.

Install Part K using the Screw (F).



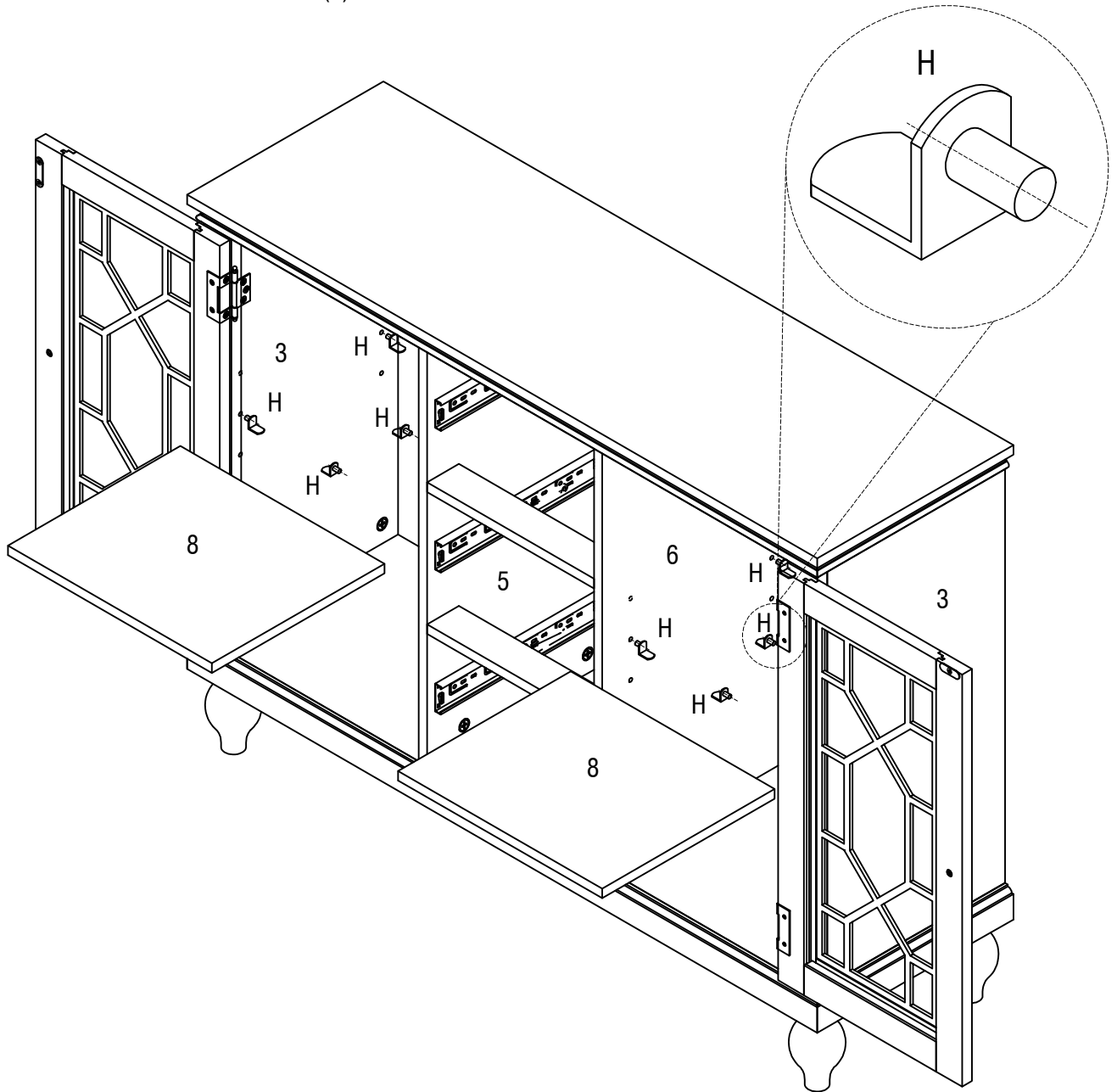
Repeat the above steps to install the right door.

ASSEMBLY INSTRUCTIONS

10

Ø6*10
H 8pcs

Install Shelf Support Pins (H) into Left and Right Side Panel (3); Left and Right Neutral Board (5,6).
Install Moveable Shelves (8).

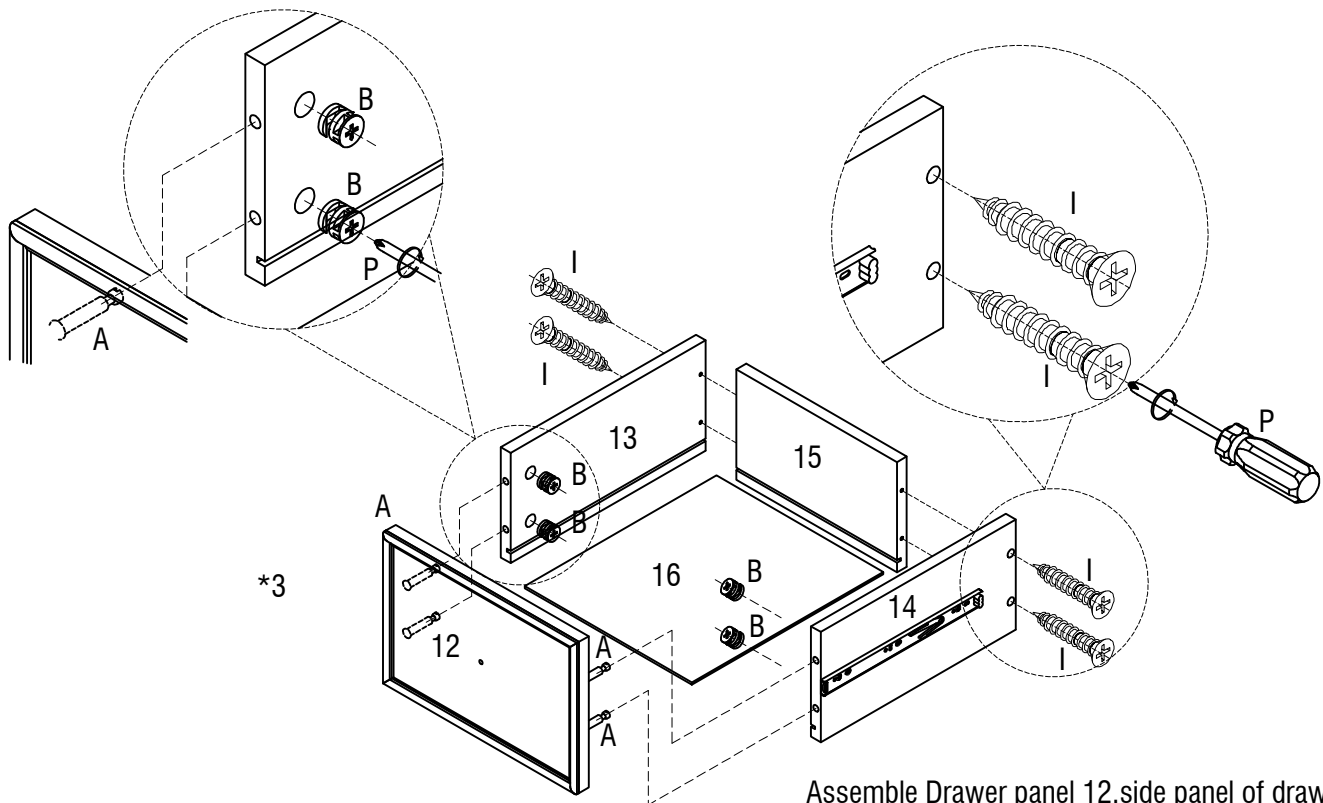
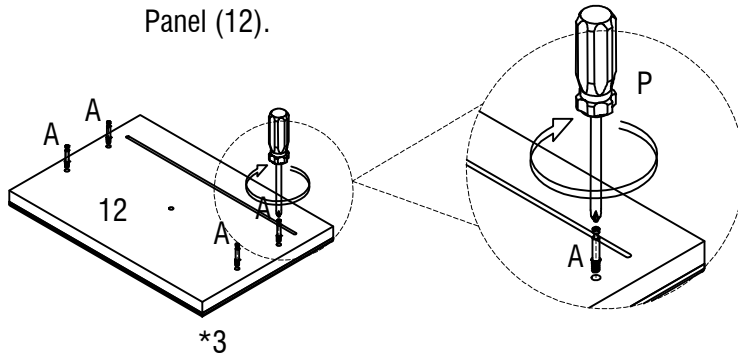


ASSEMBLY INSTRUCTIONS

11



Install CamPosts (A) into threaded inserts in Drawer Panel (12).



Attach Left and Right side panel of drawer(13,14) to Drawer Panel (12) by turning Cams Fastener(B).

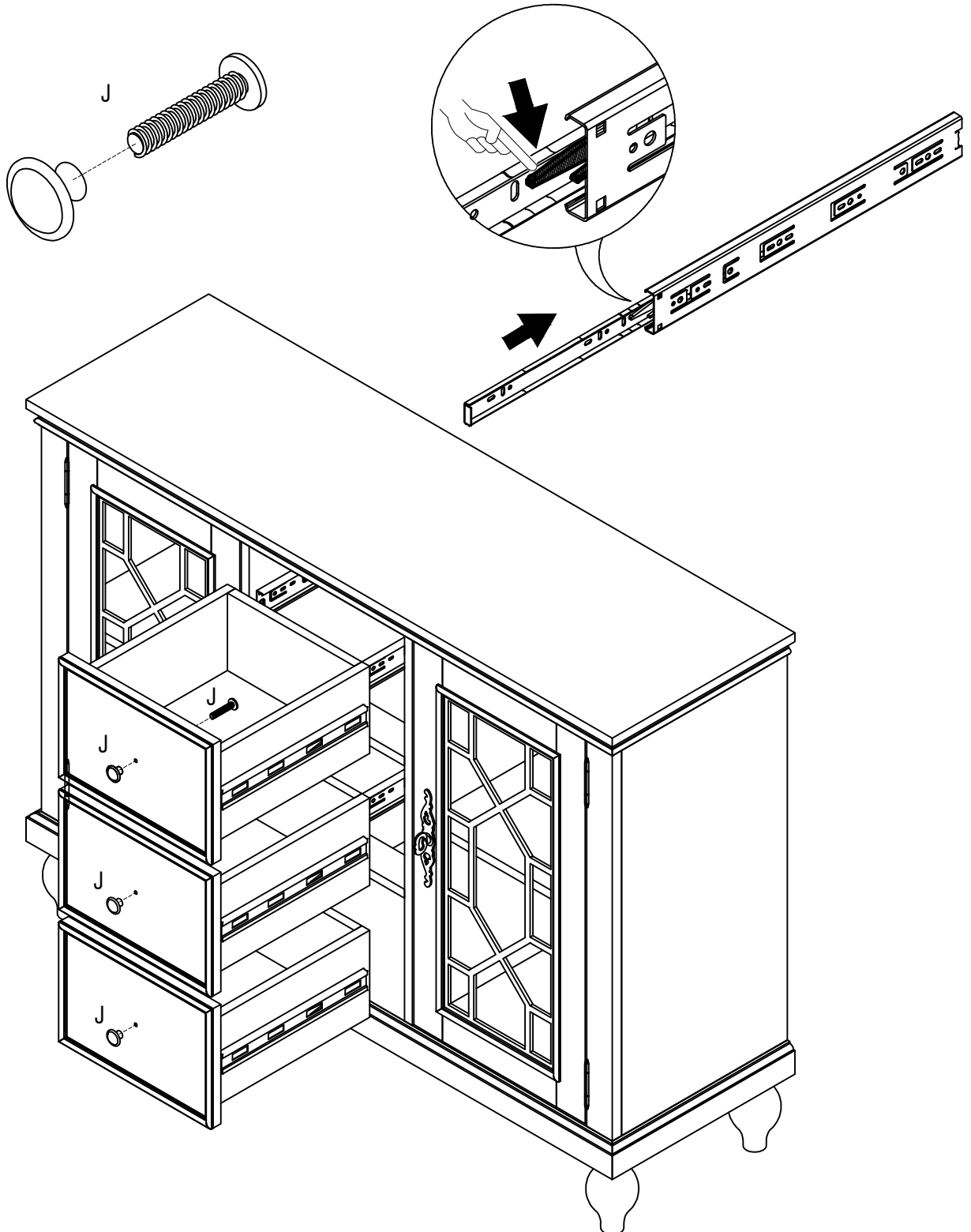
Assemble Drawer panel 12,side panel of drawer 13 and 14 according to the figure.Insert Drawer bottom plate 16,align Drawer back panel 15.Then,align the hole position with I and lock it.

Please ensure maintain consistent front-to-back alignment between Side Panel of Drawer and Drawer Panel in this step.

ASSEMBLY INSTRUCTIONS

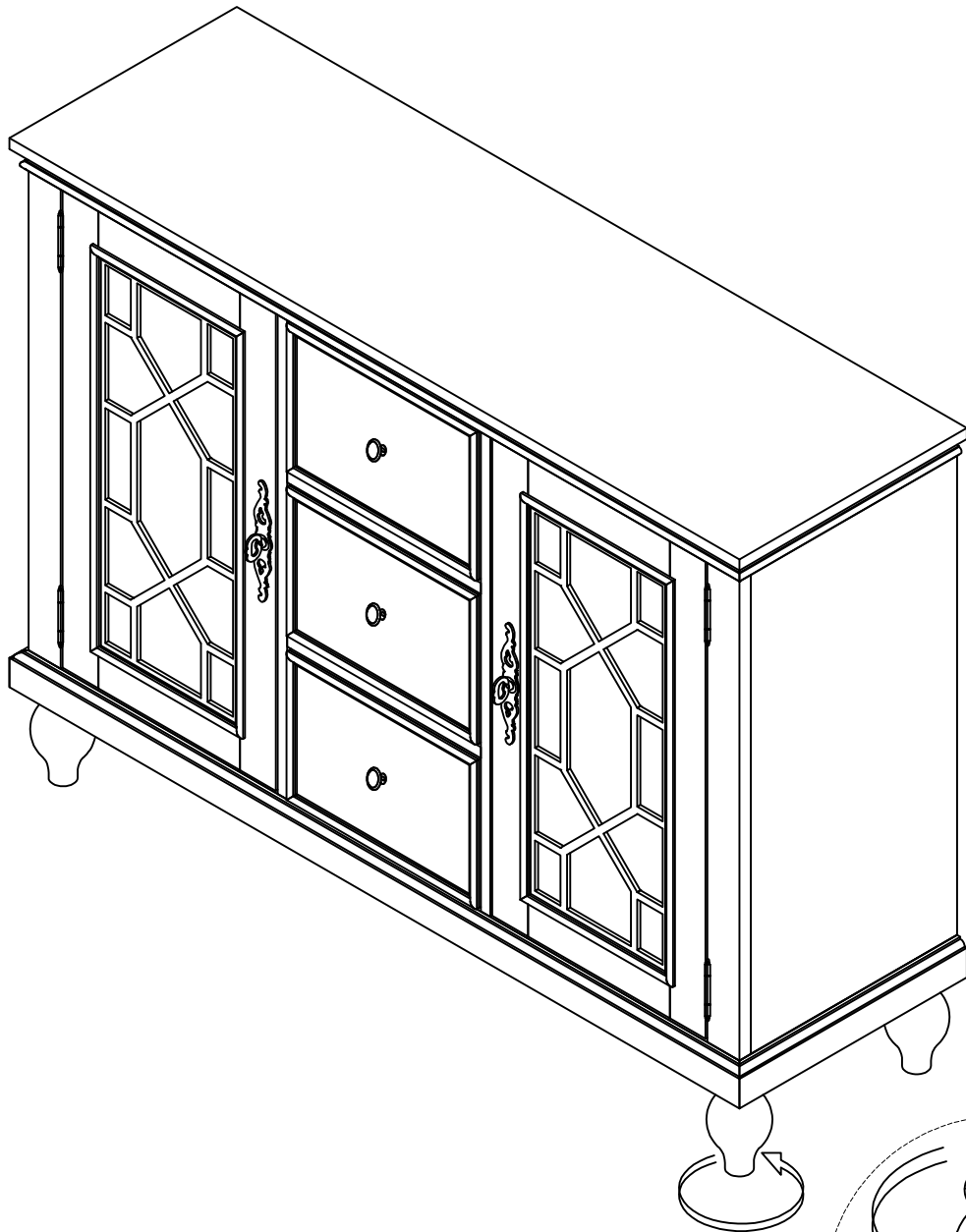
12

Ø31*25
J 3pcs
M4*20

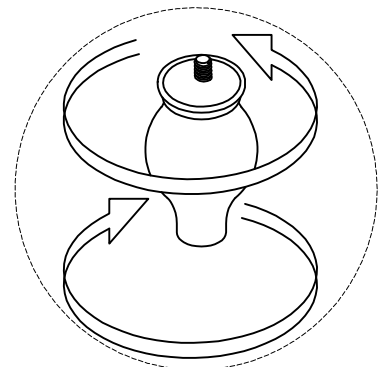


ASSEMBLY INSTRUCTIONS

13

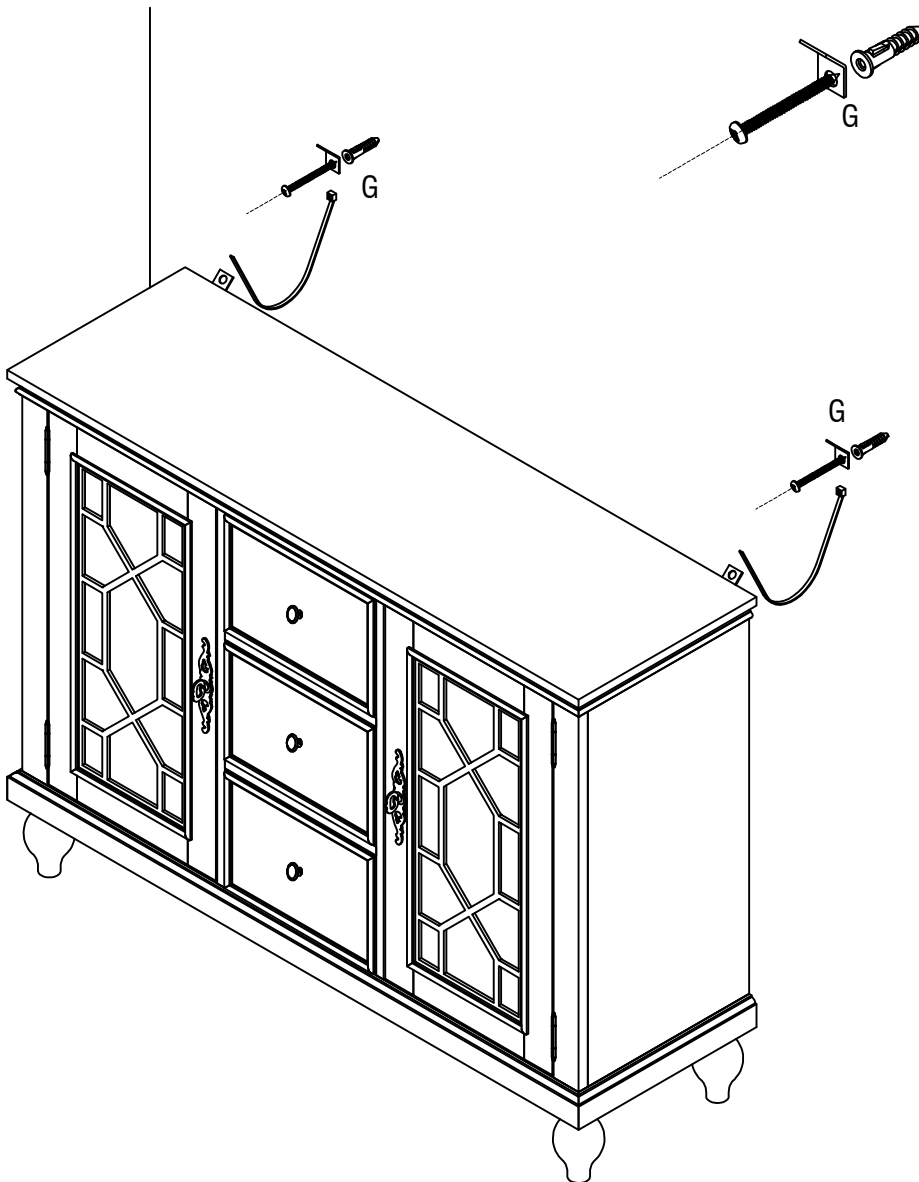
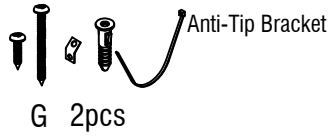


Rotate the four legs to keep the cabinet level.



ASSEMBLY INSTRUCTIONS

14

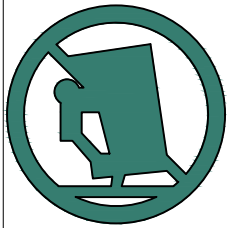


**Warning:
No
Climbing**

Safety Notice: Always install tipover restraint provided. Climbing on furniture may result in serious injury. Keep children away from shelves, cabinets and furniture.



WARNING



1. Safety Notice: To prevent serious injury or death from tip-over, this cabinet must be securely anchored to the wall using the provided anti-tip device. Always follow the installation instructions carefully.

2. Locate Wall Studs: Use a stud finder to locate the wall studs where the cabinet will be anchored. Attach Anti-Tip Bracket: Secure the anti-tip bracket to the wall stud using the provided screws. Ensure the bracket is level and firmly attached. Anchor the Cabinet: Position the cabinet against the wall and attach it to the anti-tip bracket using the designated attachment points. Verify Stability: Gently test the cabinet to ensure it is securely anchored and does not tilt forward.

3. Never allow children to climb or hang on the cabinet. Do not place heavy items on open drawers or doors, as this may cause the cabinet to tip over. Regularly check the anti-tip device to ensure it remains securely attached.