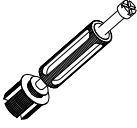
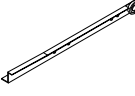

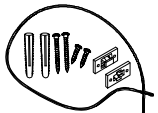

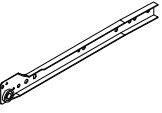

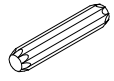
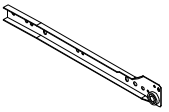
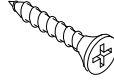

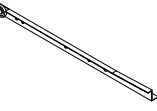
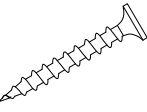
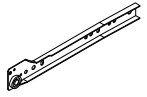
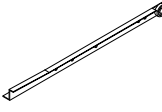
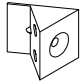
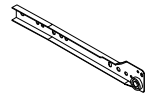
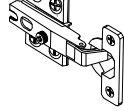

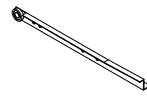
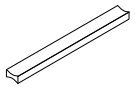
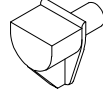
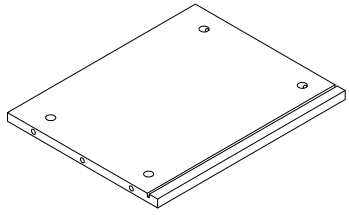


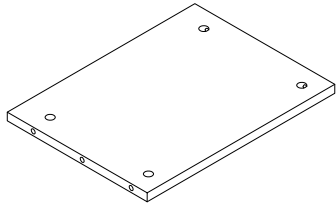
<p>A</p>  <p>40PCS</p>	<p>H 250MM</p>  <p>1PCS</p>	<p>O 4*18</p>  <p>8PCS</p>	<p>V</p>  <p>2PCS</p>
<p>B</p>  <p>40PCS</p>	<p>I 300MM</p>  <p>1PCS</p>	<p>P 3*12</p>  <p>24PCS</p>	
<p>C 8*40</p>  <p>14PCS</p>	<p>J 300MM</p>  <p>1PCS</p>	<p>Q 3.5*14</p>  <p>40PCS</p>	
<p>D 7*50</p>  <p>4PCS</p>	<p>K 300MM</p>  <p>1PCS</p>	<p>R 3.5*35</p>  <p>8PCS</p>	
<p>E 250MM</p>  <p>1PCS</p>	<p>L 300MM</p>  <p>1PCS</p>	<p>S</p>  <p>24PCS</p>	
<p>F 250MM</p>  <p>1PCS</p>	<p>M</p>  <p>4PCS</p>	<p>T</p>  <p>3PCS</p>	
<p>G 250MM</p>  <p>1PCS</p>	<p>N 96MM</p>  <p>4PCS</p>	<p>U</p>  <p>4PCS</p>	

1



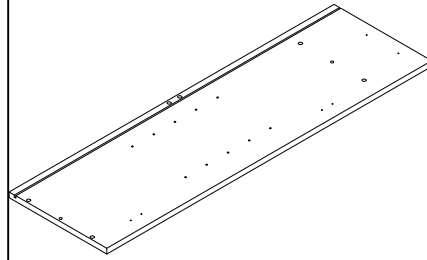
368\*294 1 PCS

2



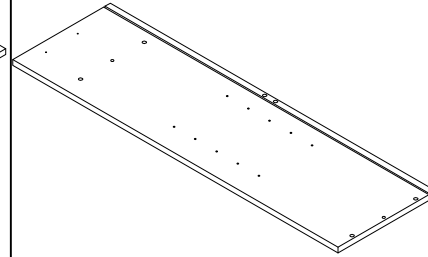
368\*274 1 PCS

3



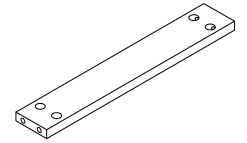
980\*294 1 PCS

4



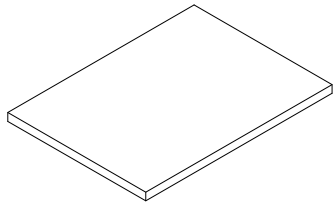
980\*294 1 PCS

5



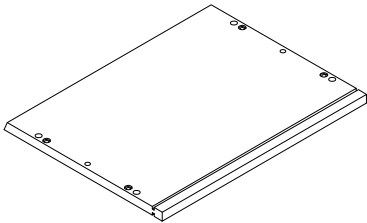
368\*60 2 PCS

6



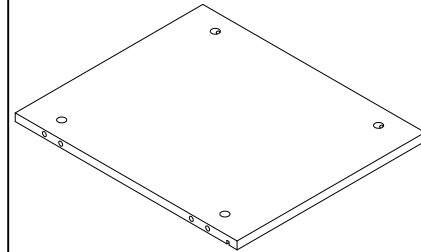
365\*270 1 PCS

7



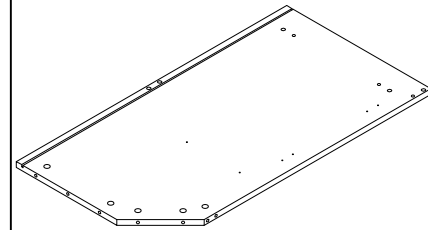
400\*310 1 PCS

8



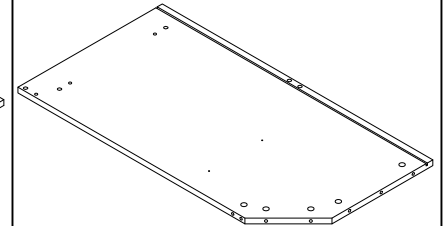
368\*435 1 PCS

9



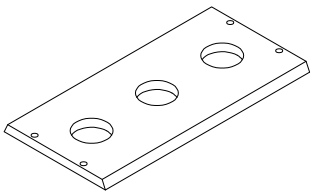
815\*435 1 PCS

10



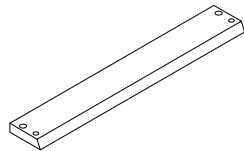
815\*435 1 PCS

11



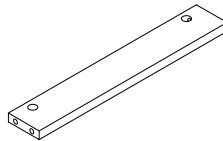
400\*198 1 PCS

12



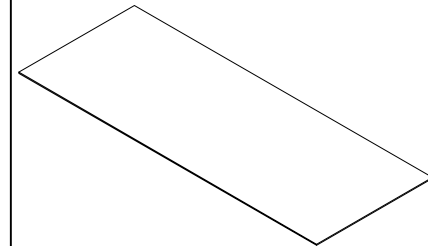
400\*60 1 PCS

13



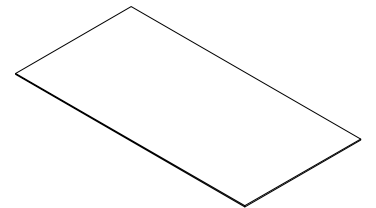
368\*60 1 PCS

14



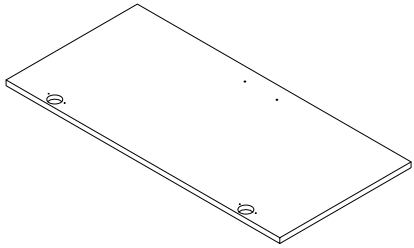
973\*378 1 PCS

15



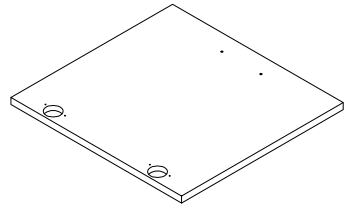
749\*378 1 PCS

16



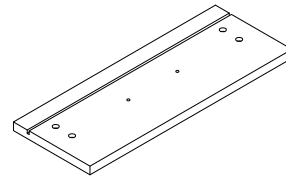
825\*396 1 PCS

17



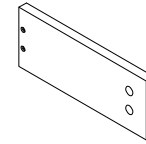
418\*396 1 PCS

18



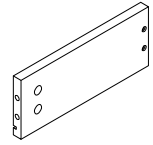
396\*150 2 PCS

19



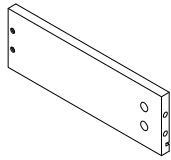
250\*100 1 PCS

20



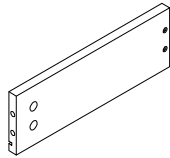
250\*100 1 PCS

21



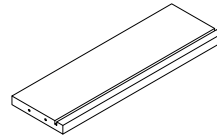
300\*100 1 PCS

22



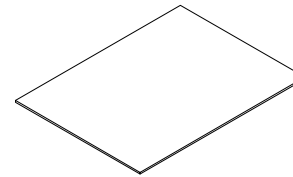
300\*100 1 PCS

23



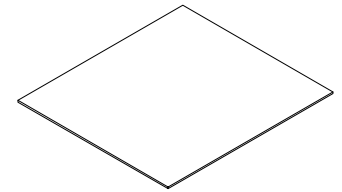
313\*100 2 PCS

24



323\*244 1 PCS

25



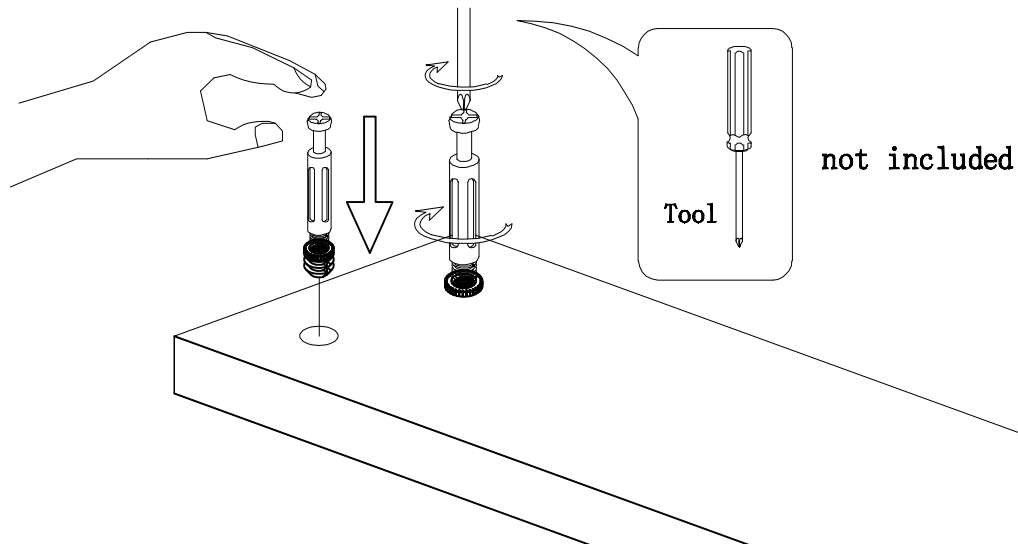
323\*294 1 PCS



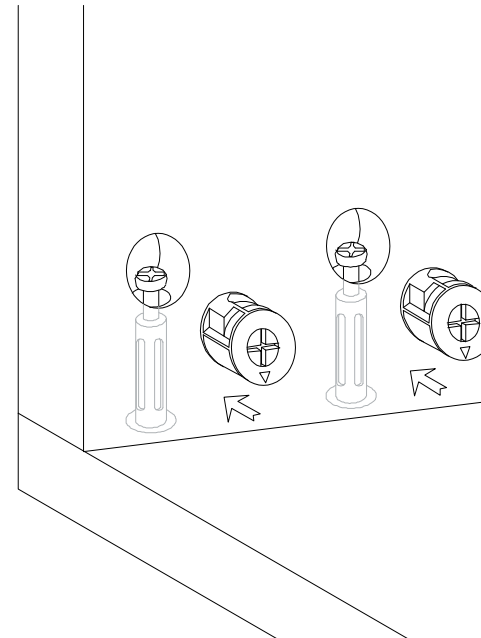
## Hardware installation demonstration

NOTE: Please make sure "A" hardware tightened and can't be pulled out!

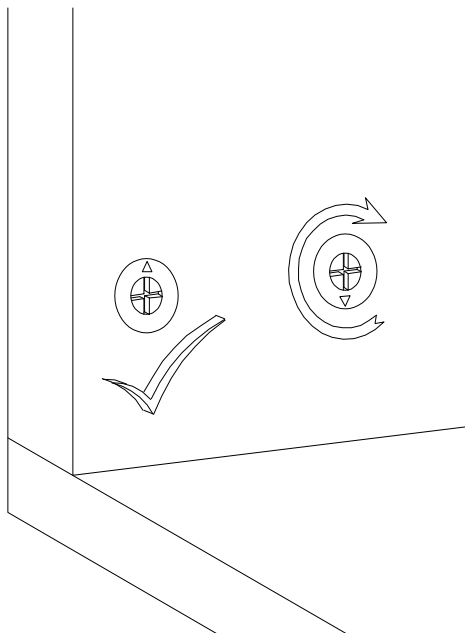
I



II



III

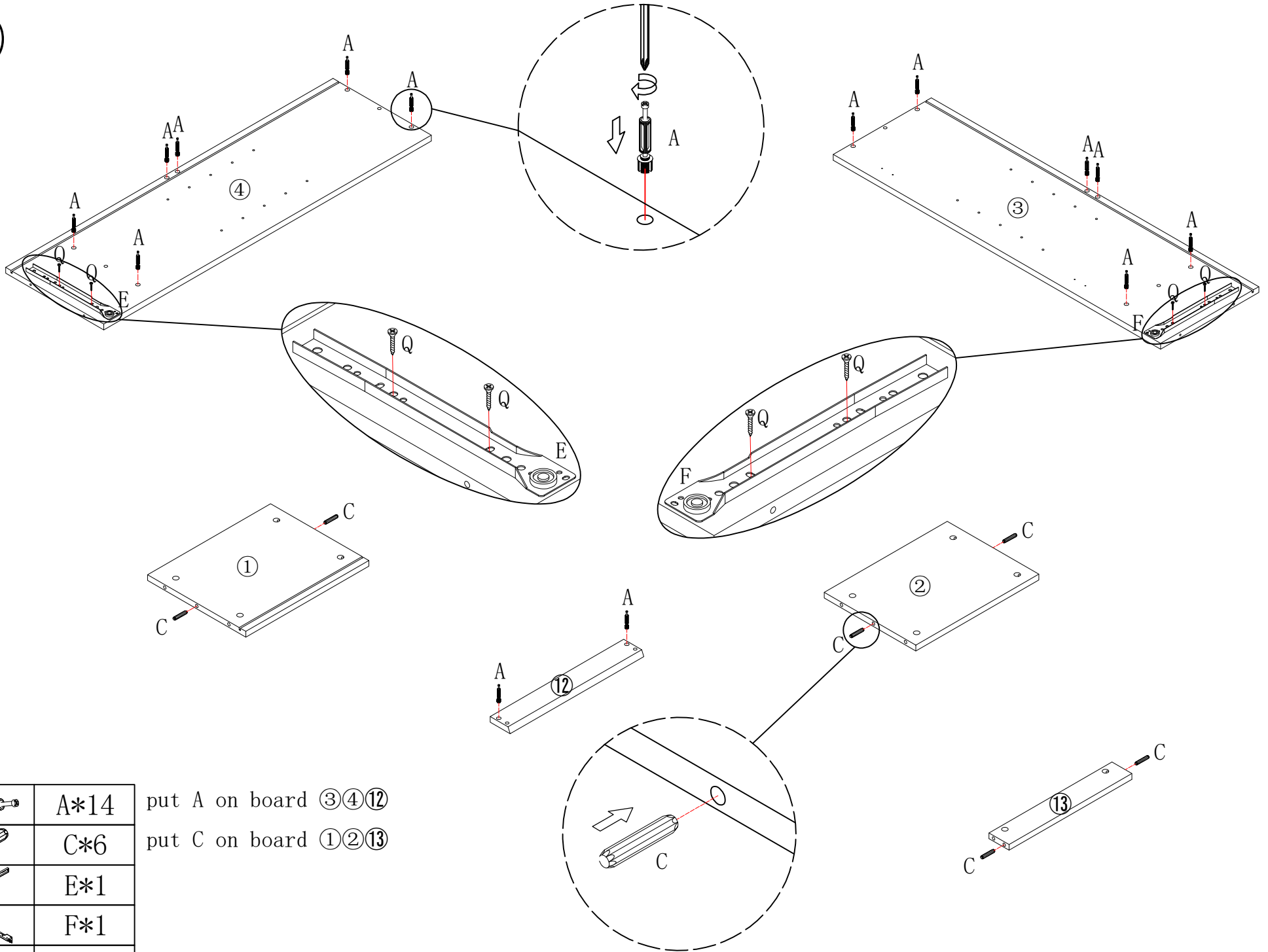







IV



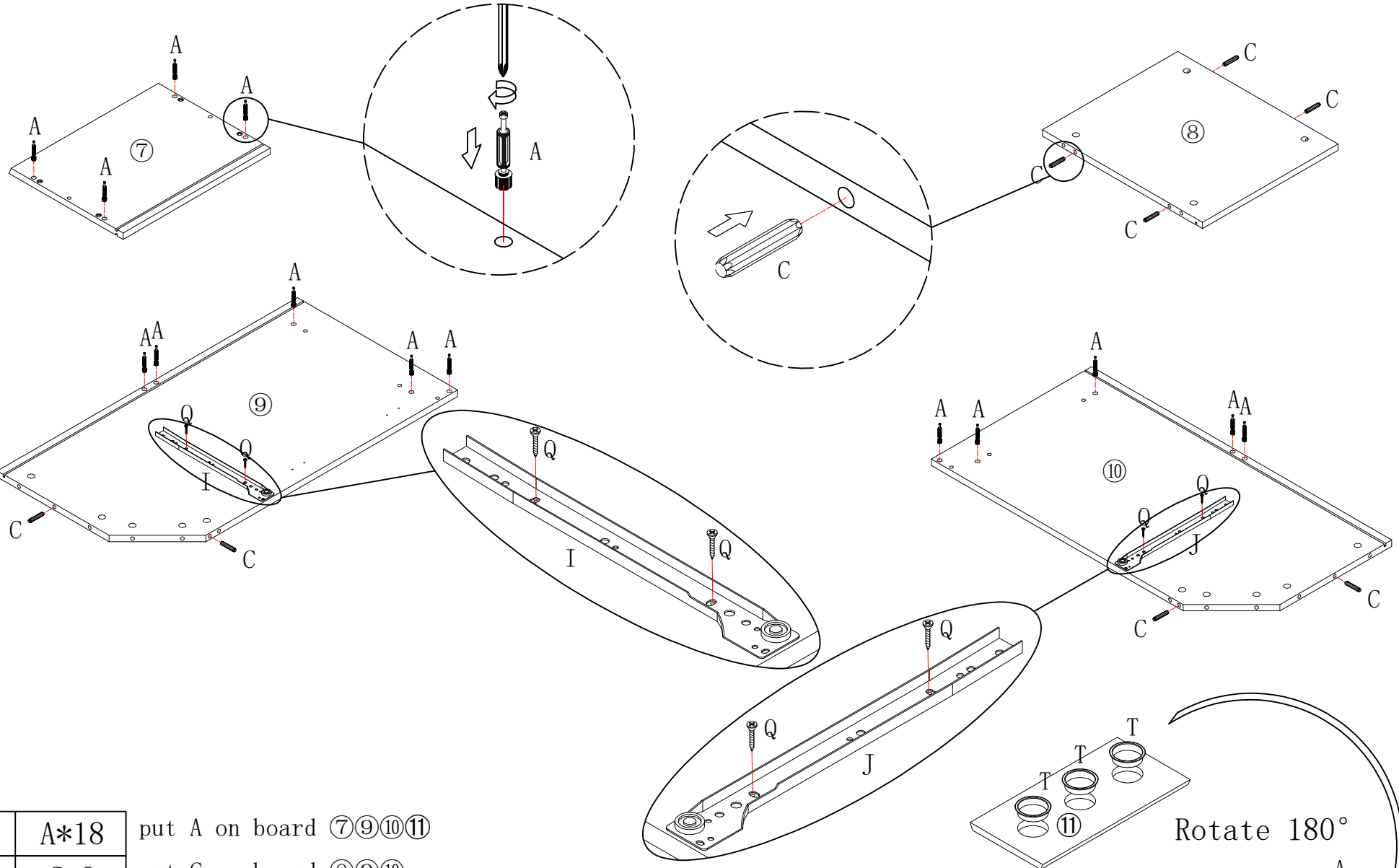
Scan QR code for assembly video







①



	A*14	put A on board ③④⑫
	C*6	put C on board ①②⑬
	E*1	
	F*1	
	Q*4	

2



	A*18
	C*8
	I*1
	J*1
	Q*4
	T*3

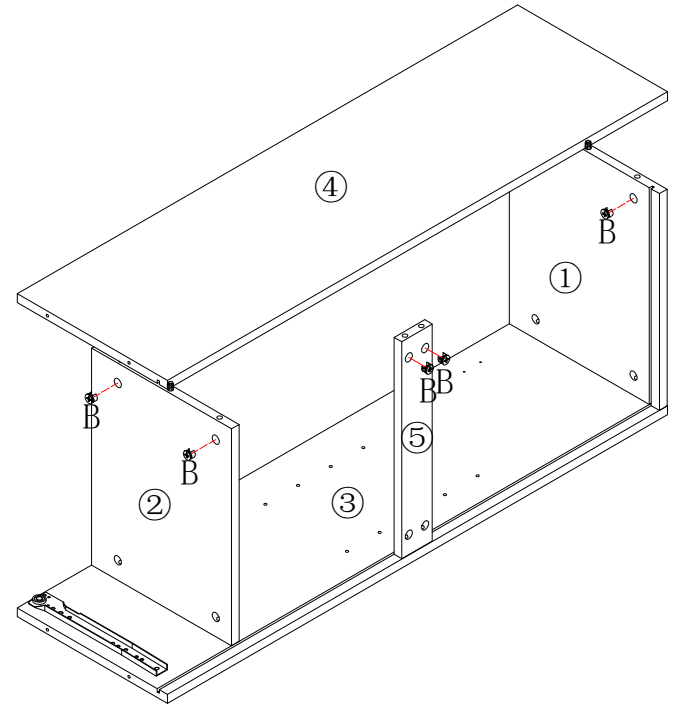
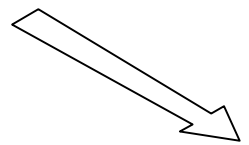
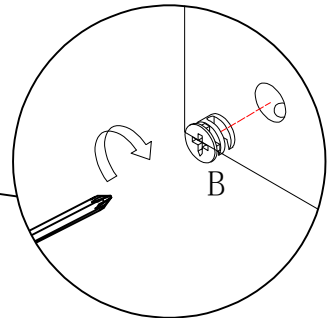
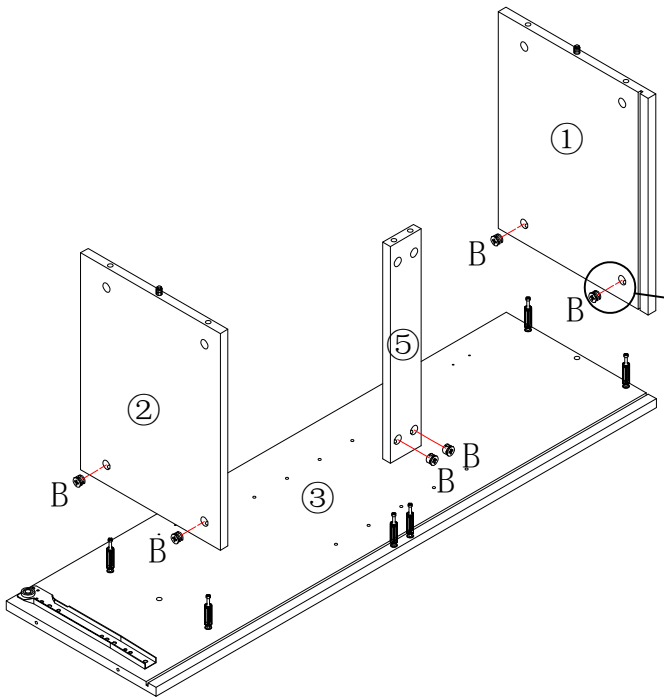
put A on board (7)(9)(10)(11)

put C on board (8)(9)(10)

Rotate 180°

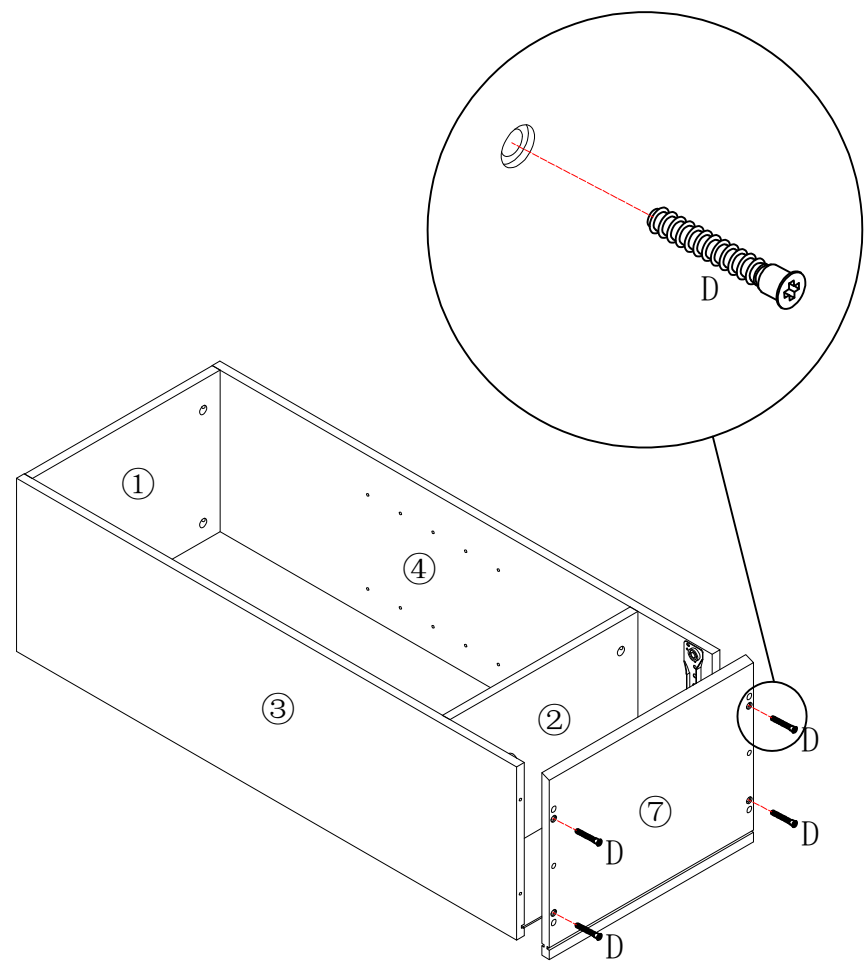
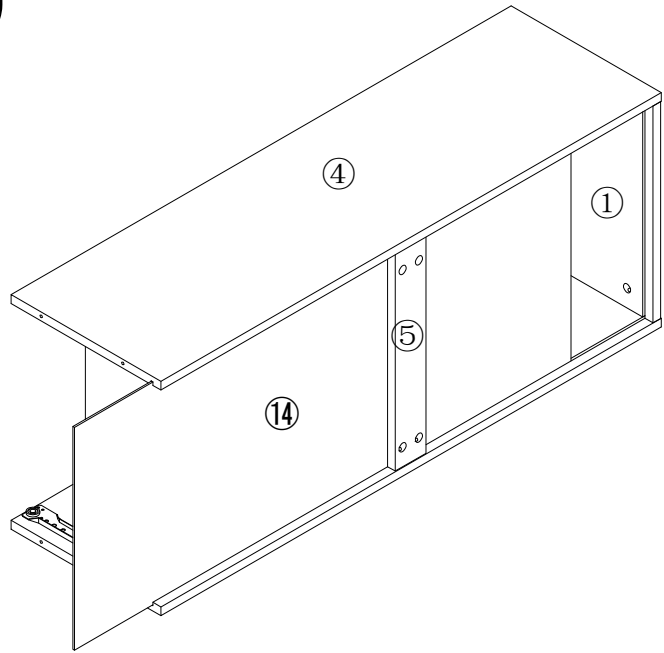
3

Make sure the arrow on the screw align to the hole on the side.



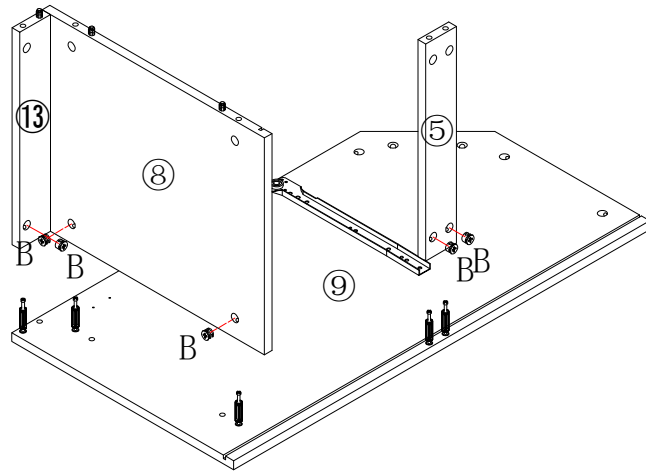
B\*12 put B on board ①②⑤

4

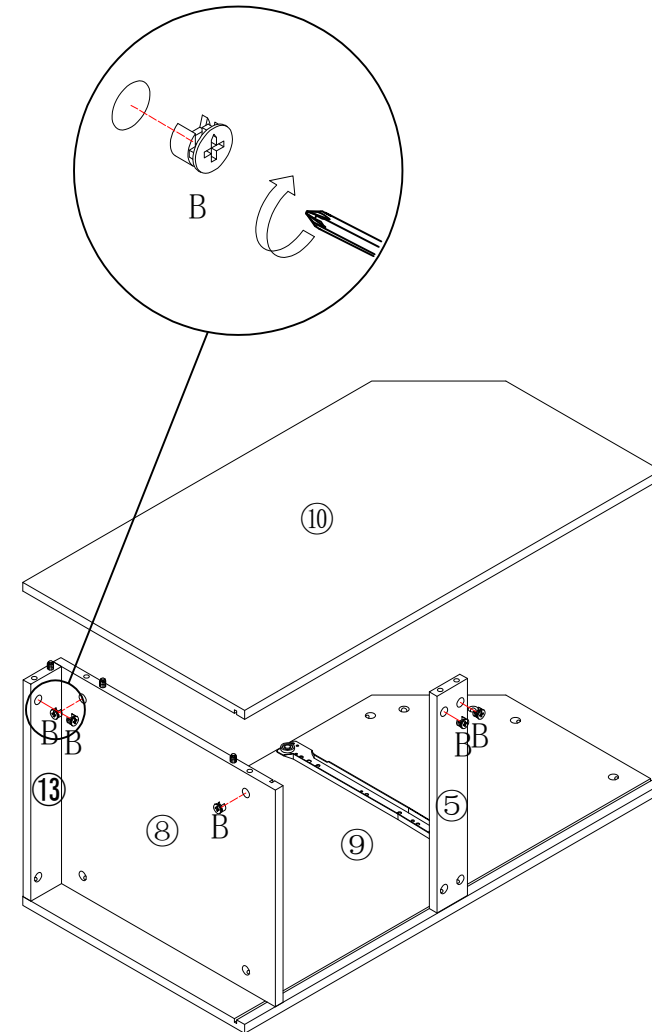
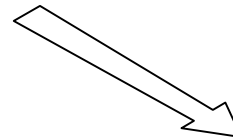


D\*4

5

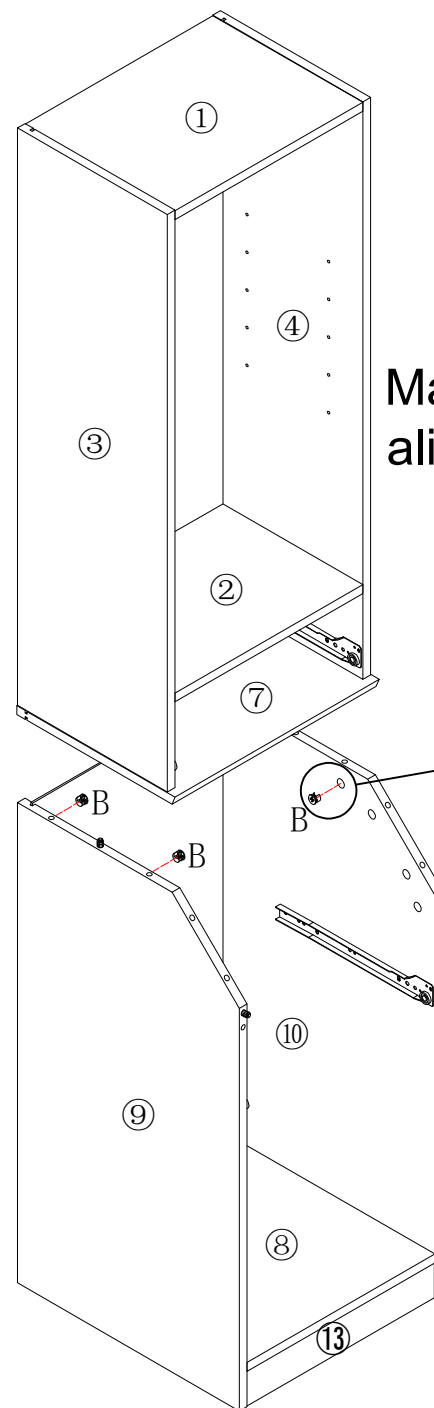
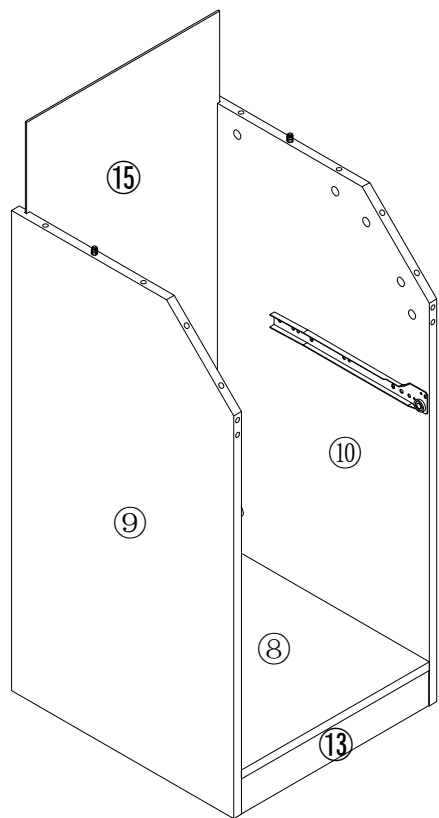


Make sure the arrow on the screw align to the hole on the side.



B\*10 put B on board 5 8 13

6



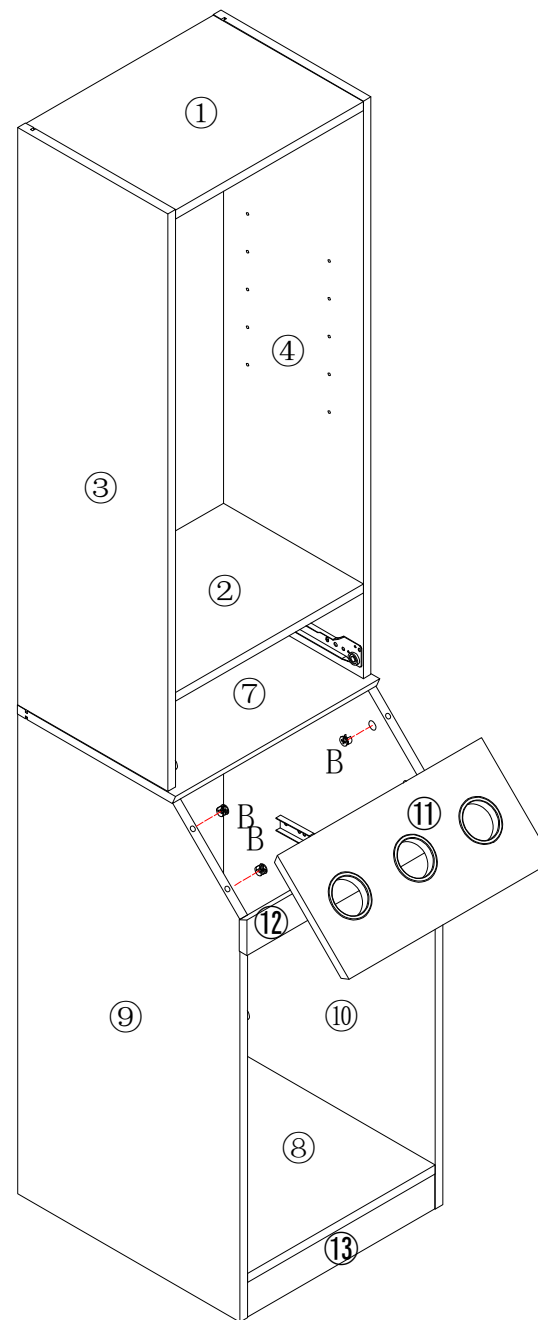
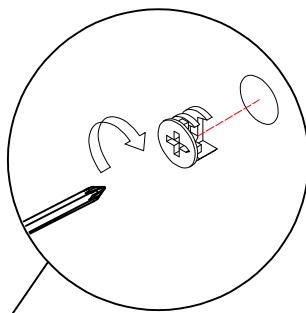
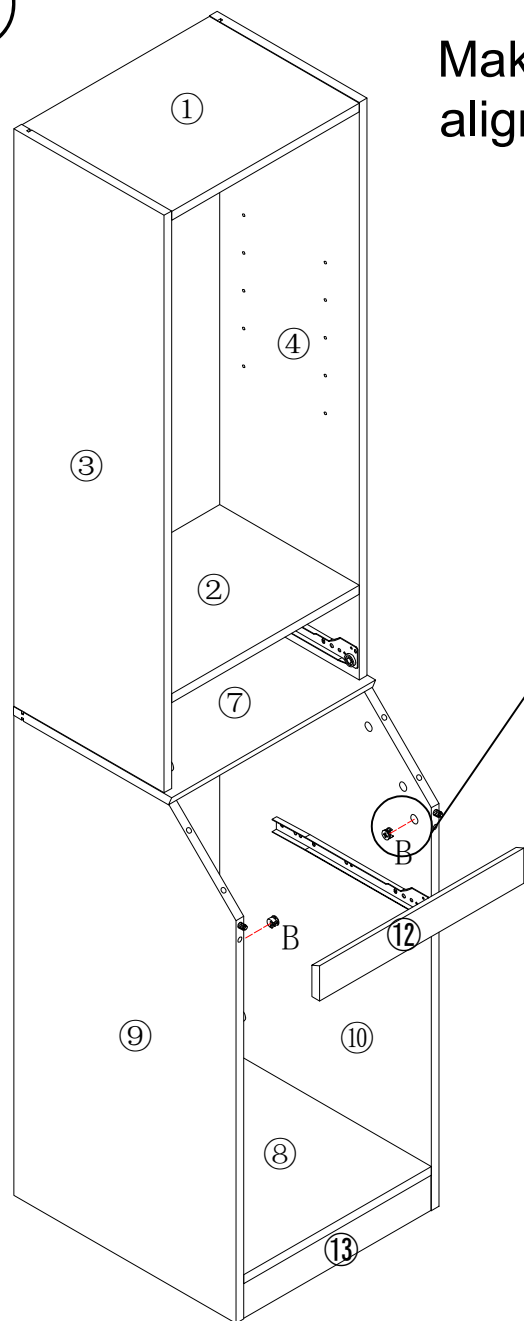
Make sure the arrow on the screw align to the hole on the side.



B\*4 put B on board 9⑩

7

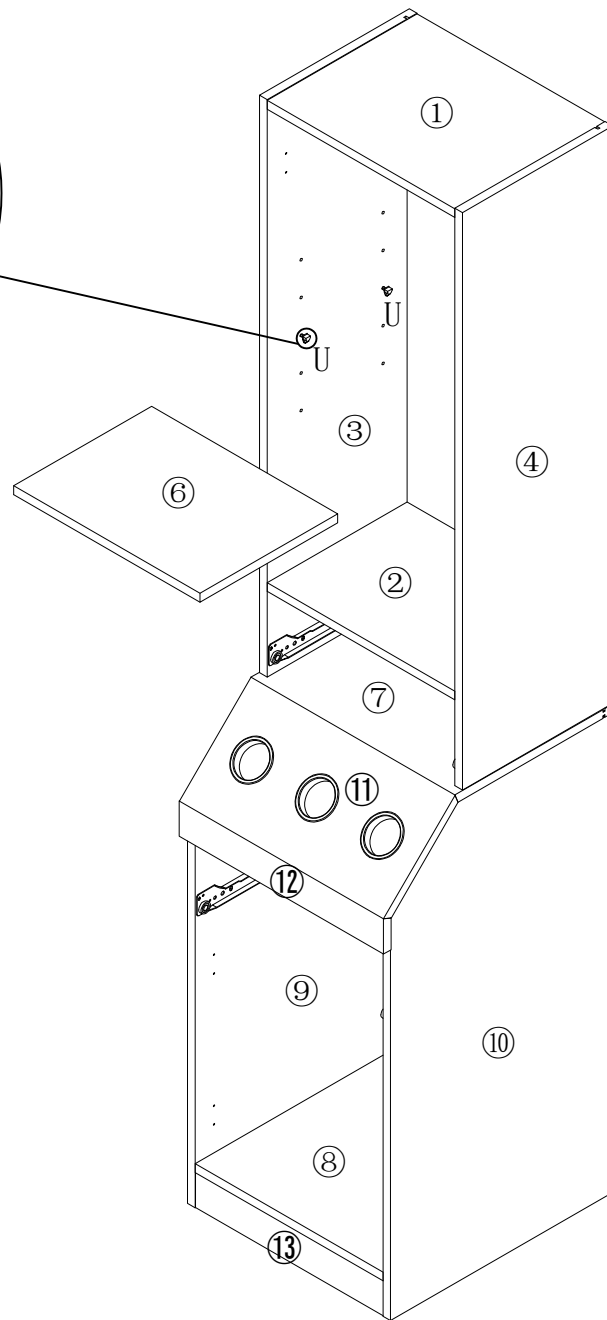
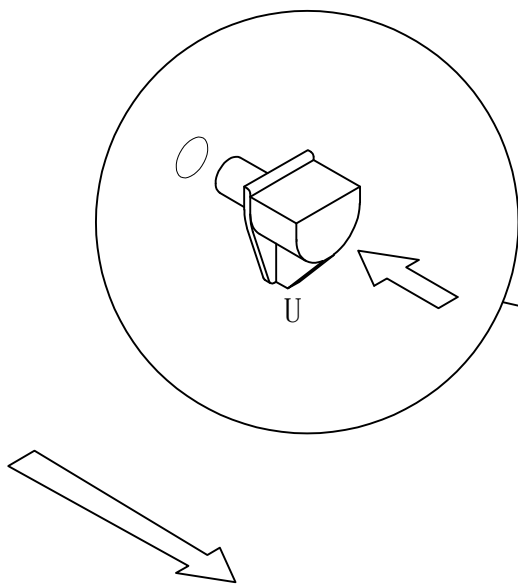
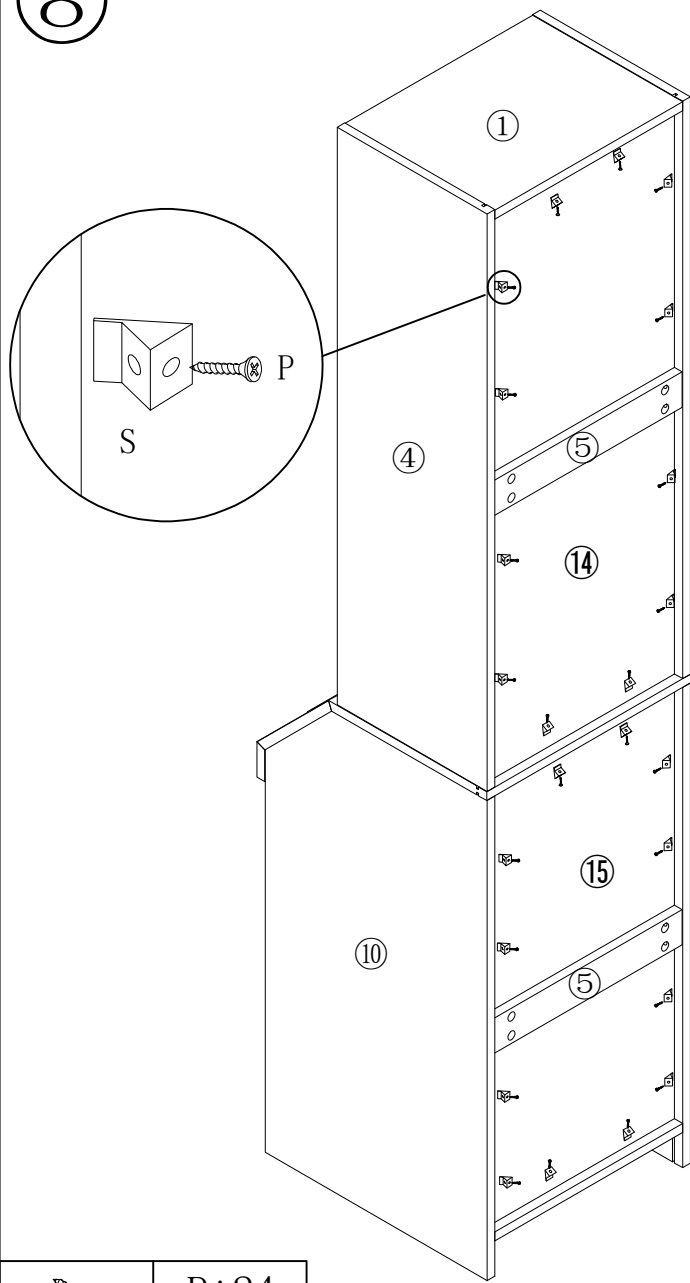
Make sure the arrow on the screw align to the hole on the side.


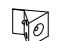



B\*6

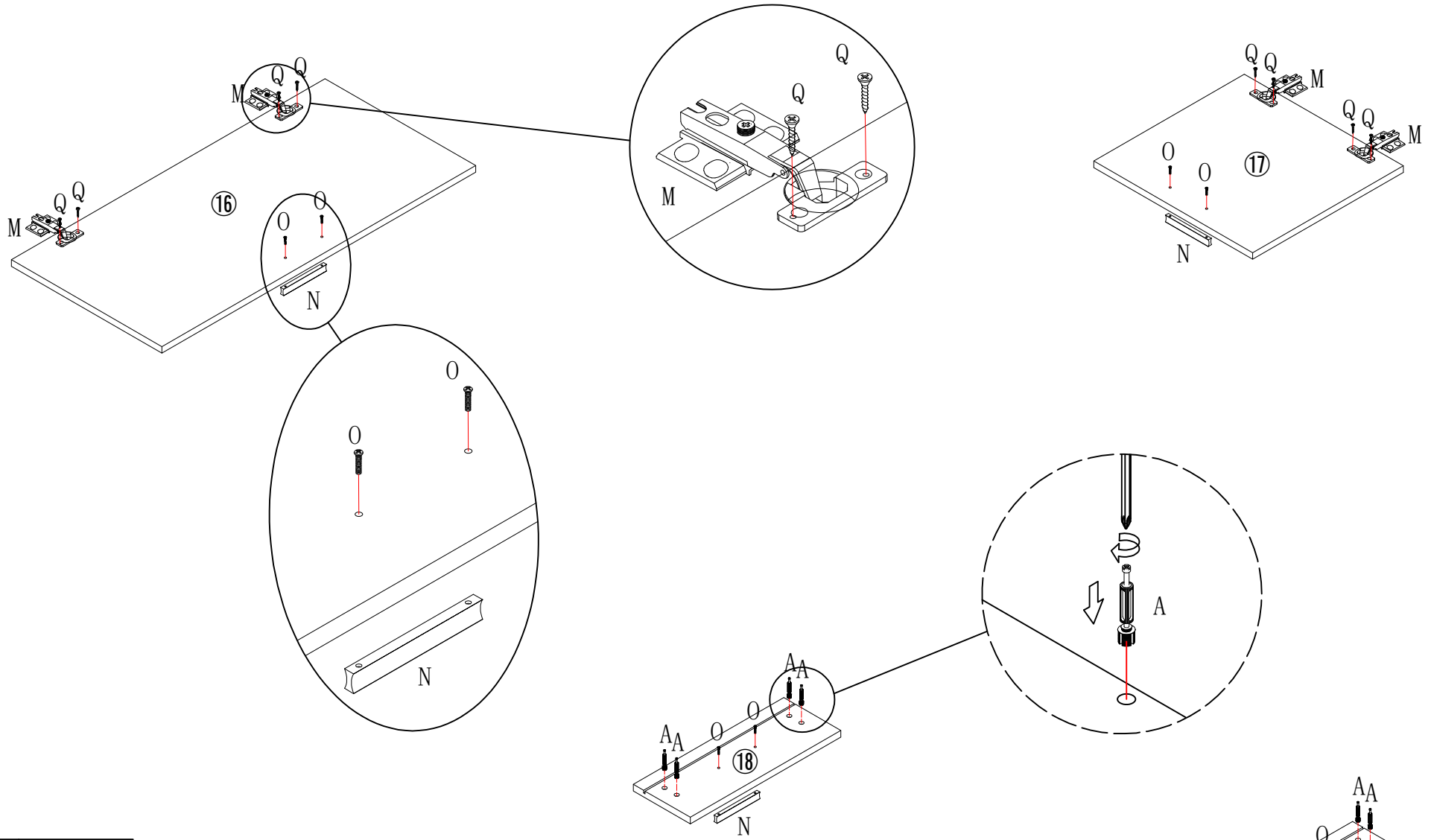
put B on board ⑨⑩






8



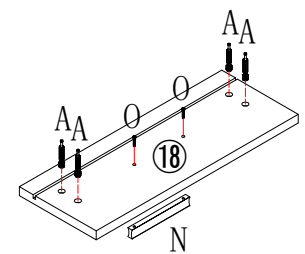
	P*24
	S*24
	U*4

9

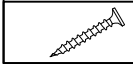
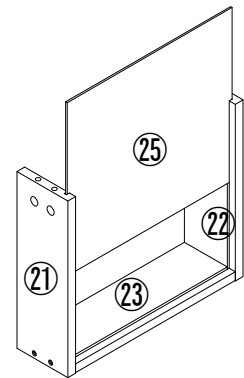
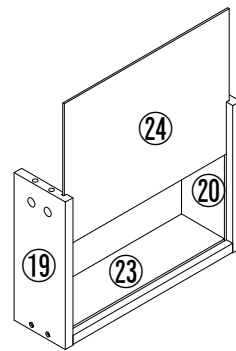
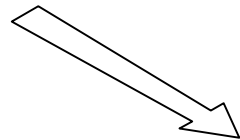
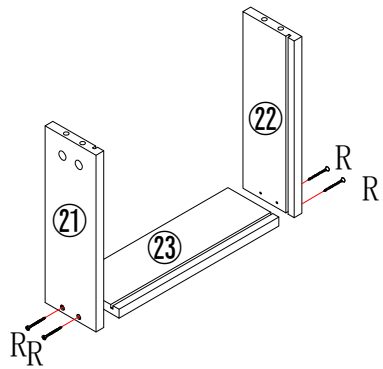
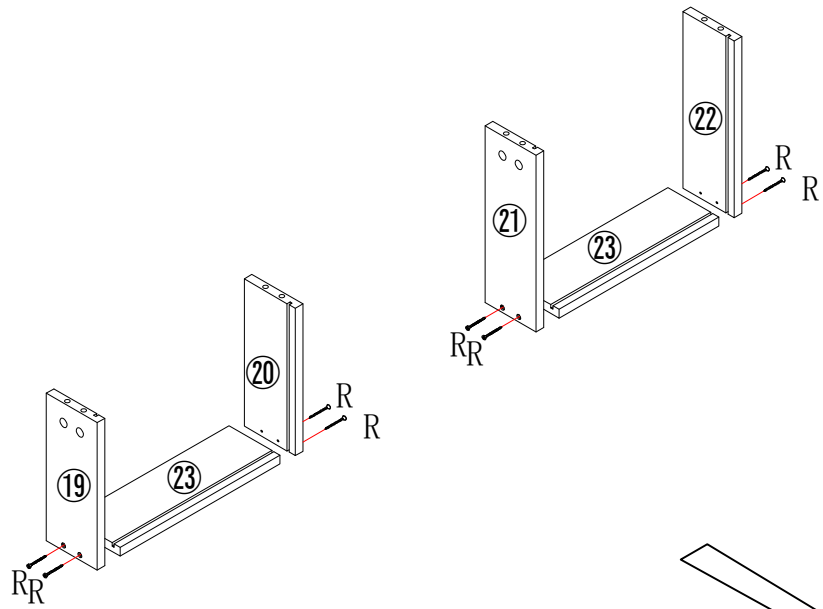


	A*8
	M*4
	N*4
	O*8
	Q*8

put A on board 18

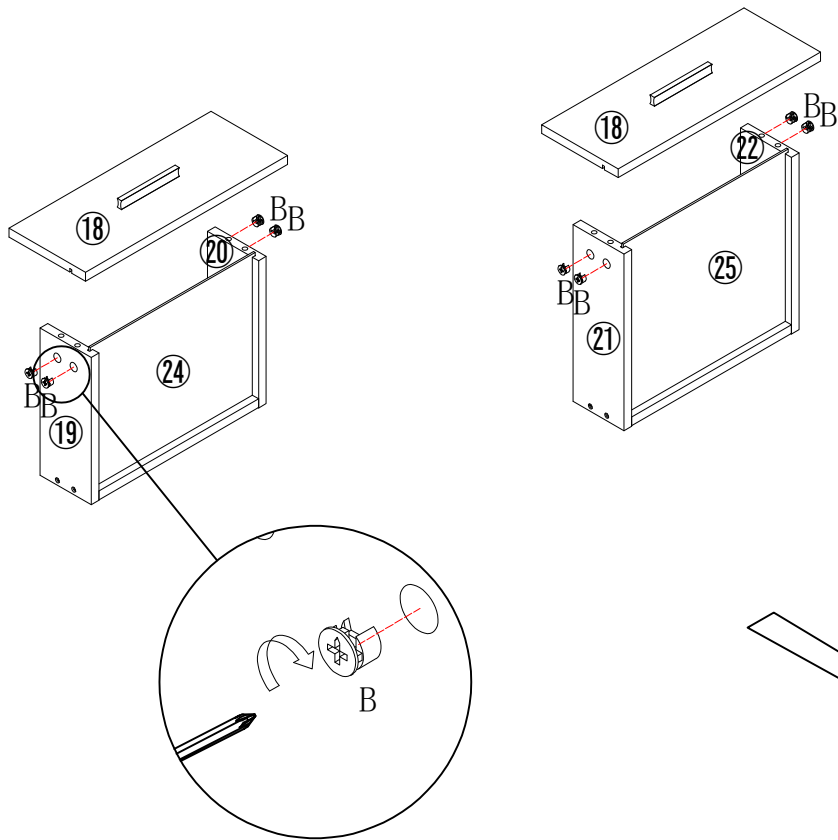


10

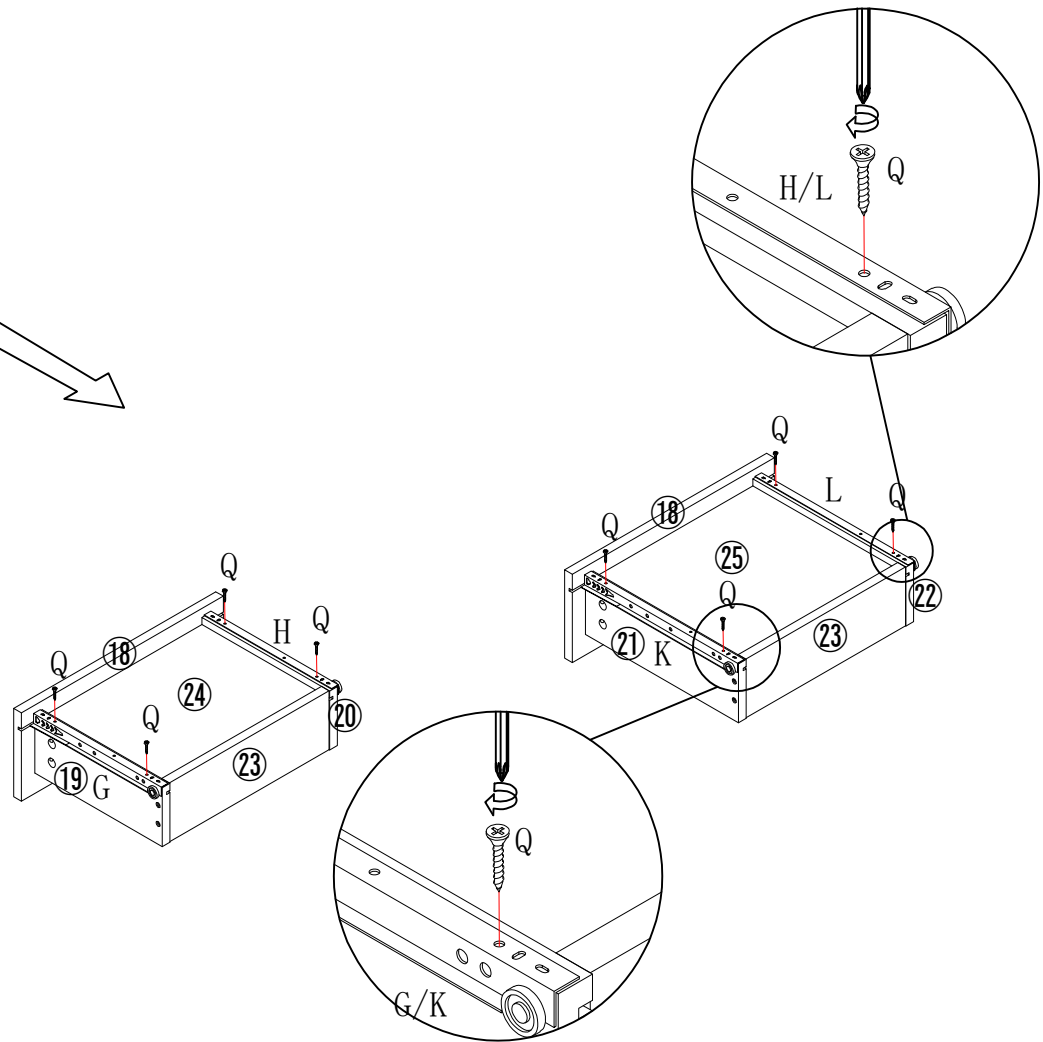
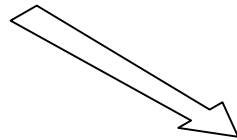








R\*8

11



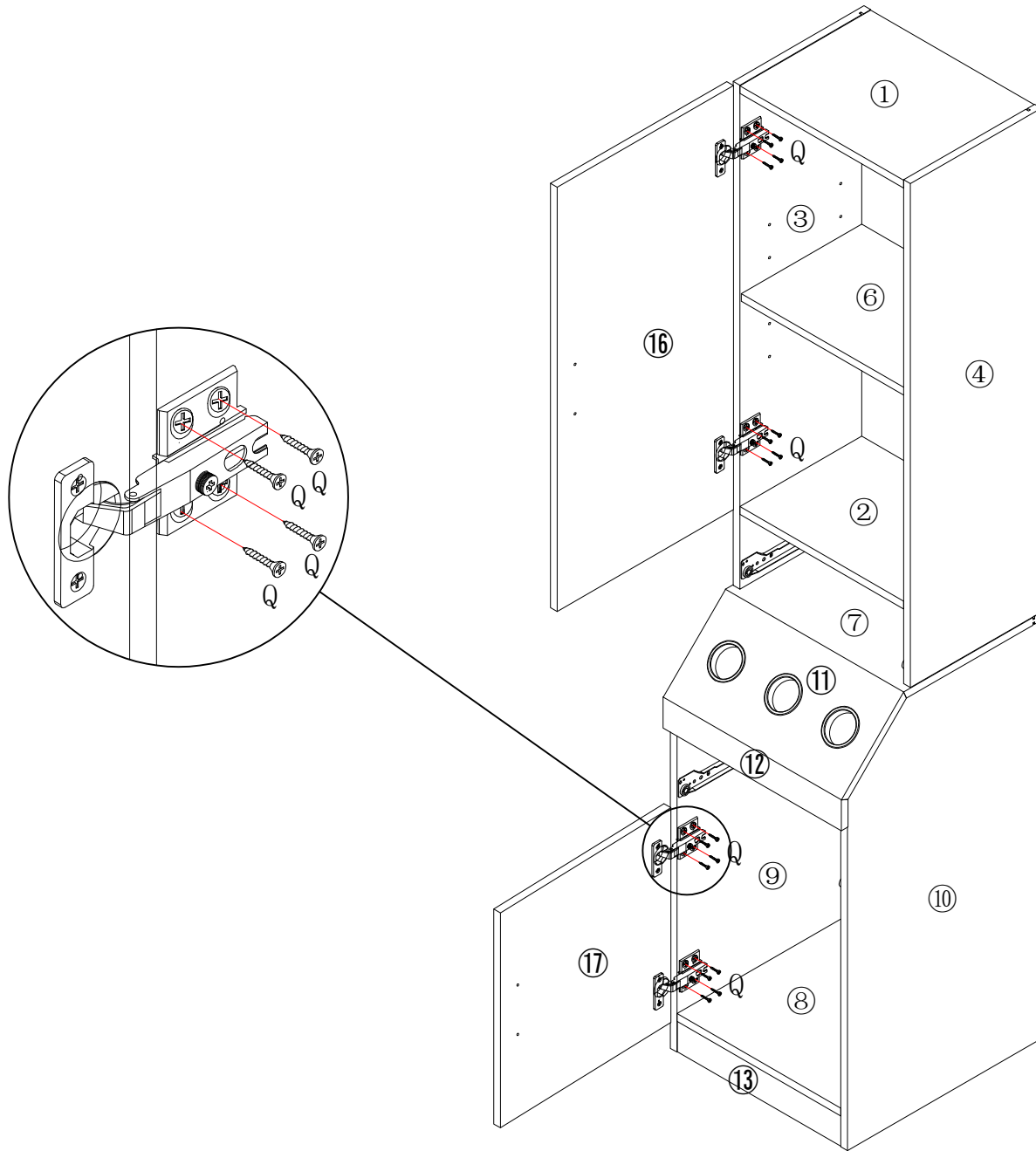
Make sure the arrow on the screw align to the hole on the side.



	B*8
	G*1
	H*1
	K*1
	L*1
	Q*8

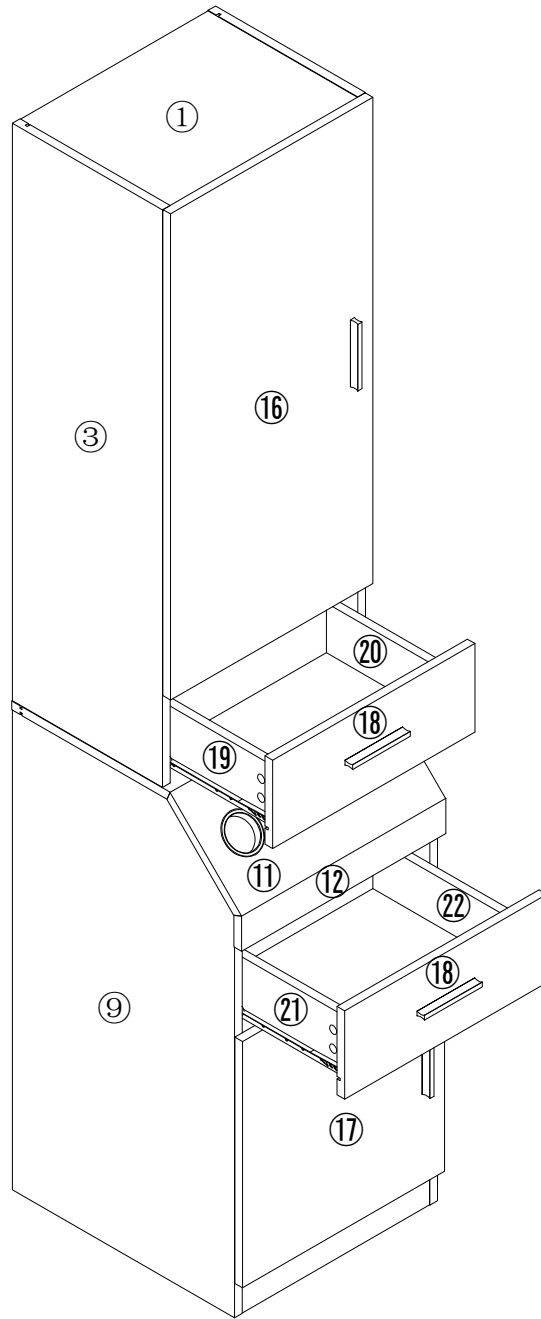
put B on board 19 20 21 22

12

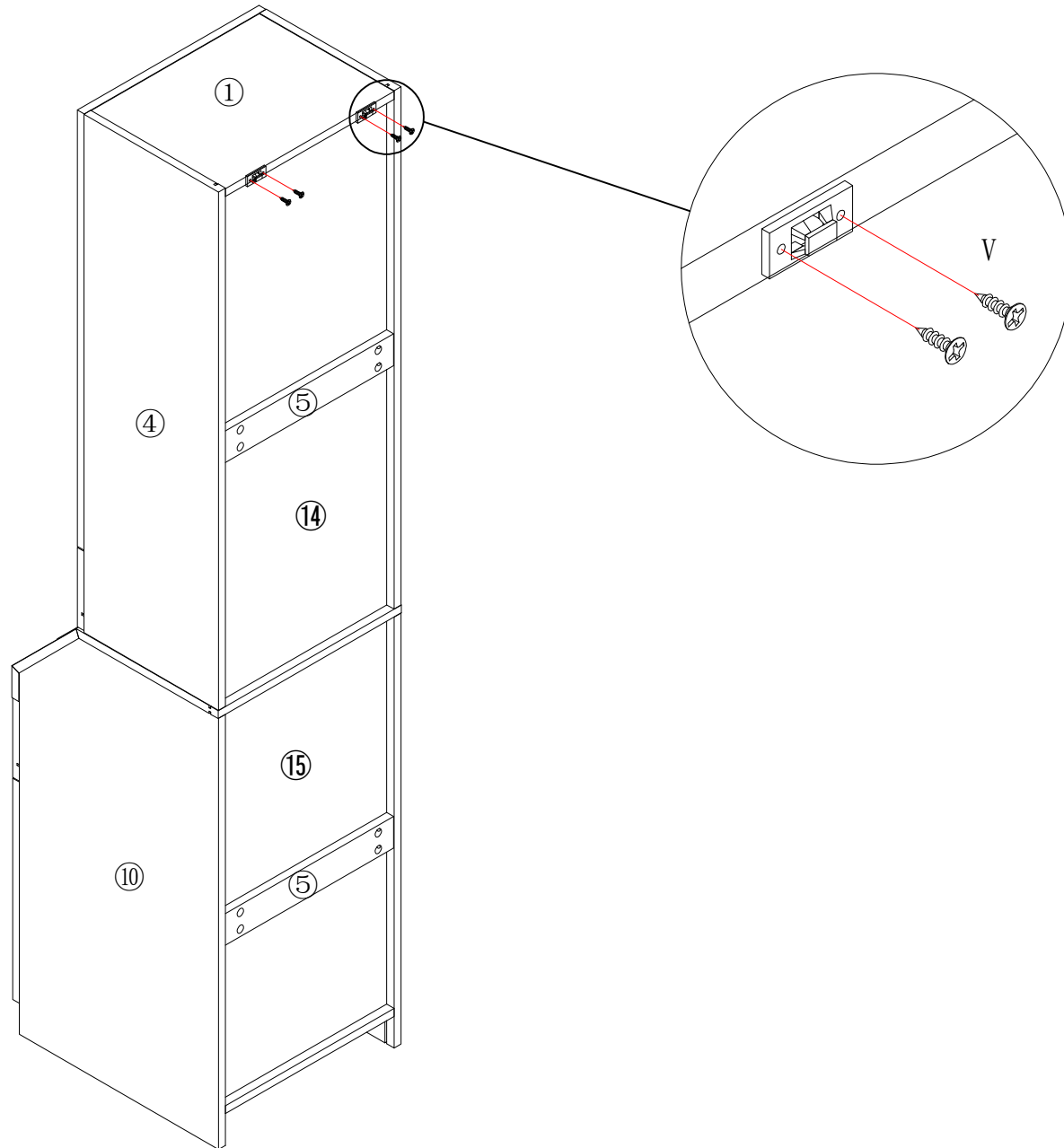


Q\*16

13

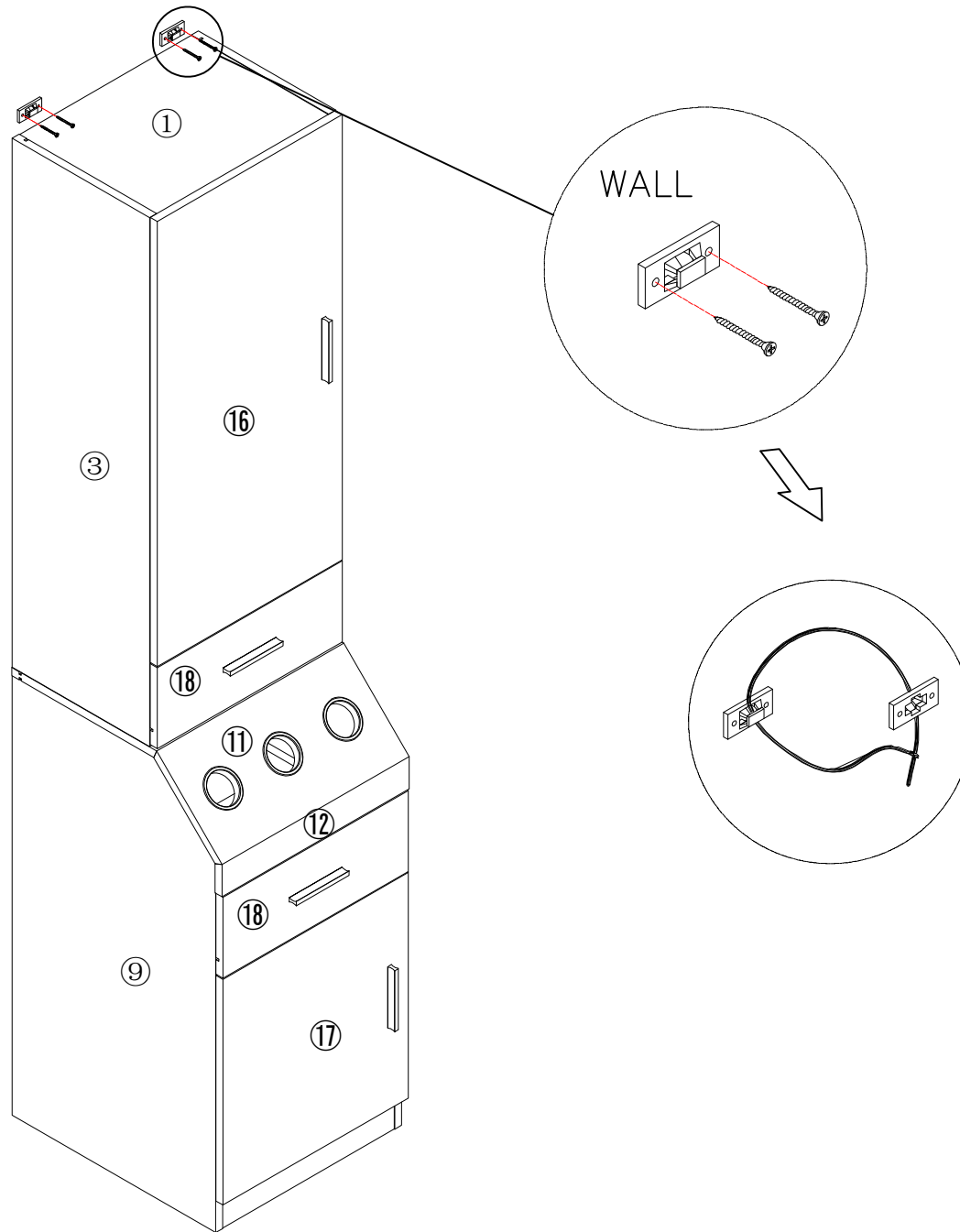


14

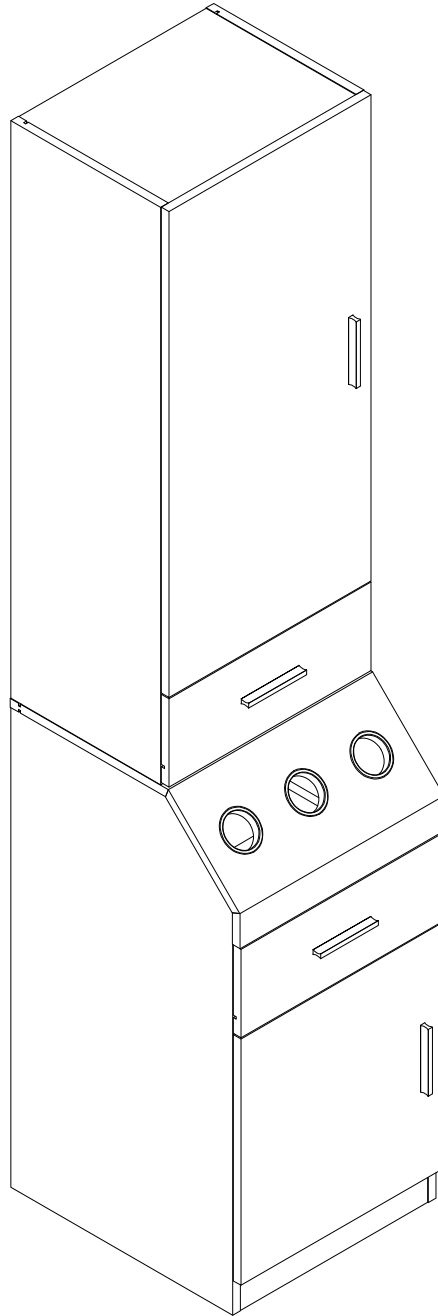


V\*2

15



16



---END---