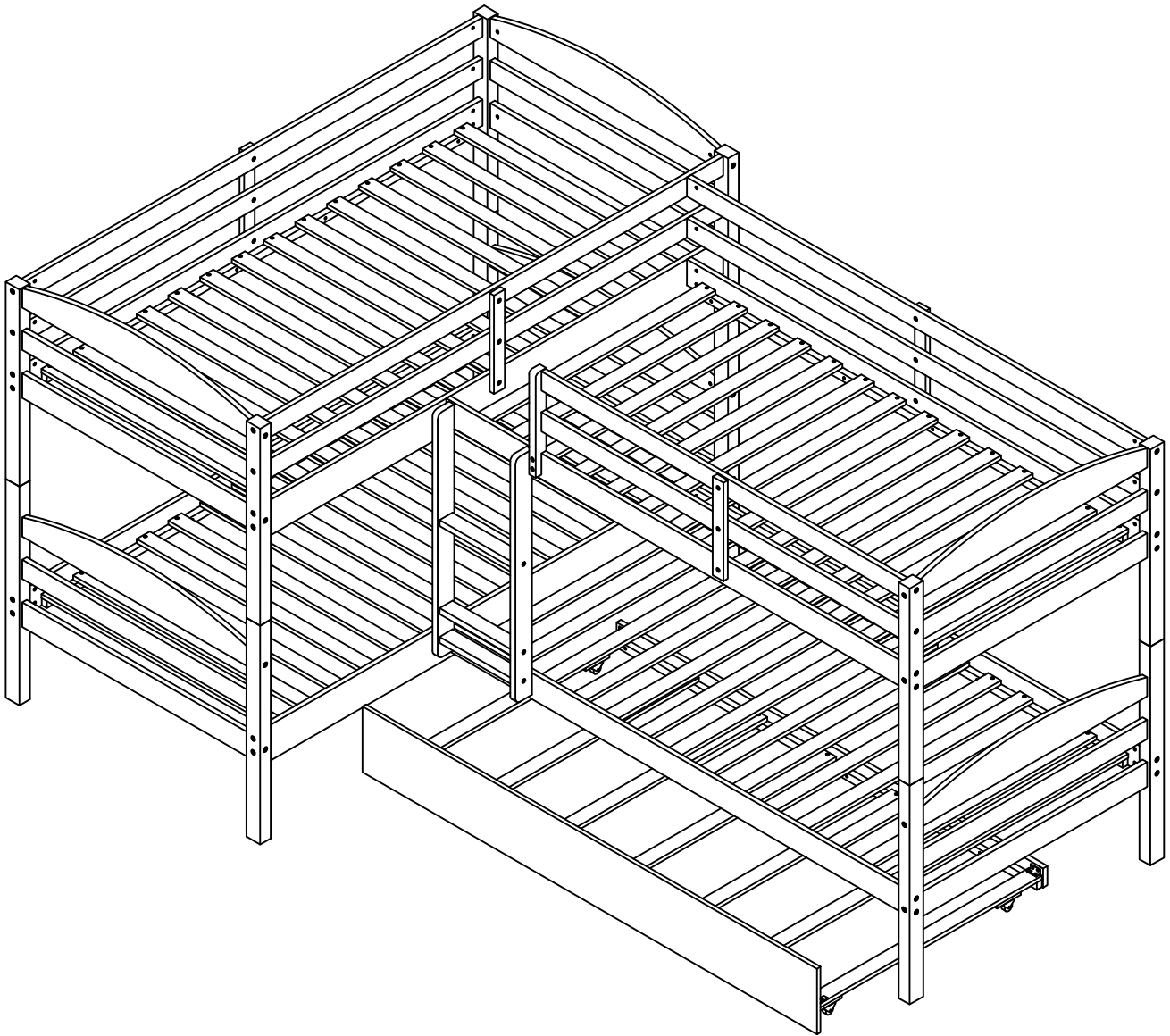


# ASSEMBLY INSTRUCTIONS

## TWIN L SHAPED BUNK BED WITH TRUNDLE





# SAFETY WARNING



1. This bed is designed for use only mattress (es) meeting the following specifications on the upper bunk, and lower bunk:

## Down bed

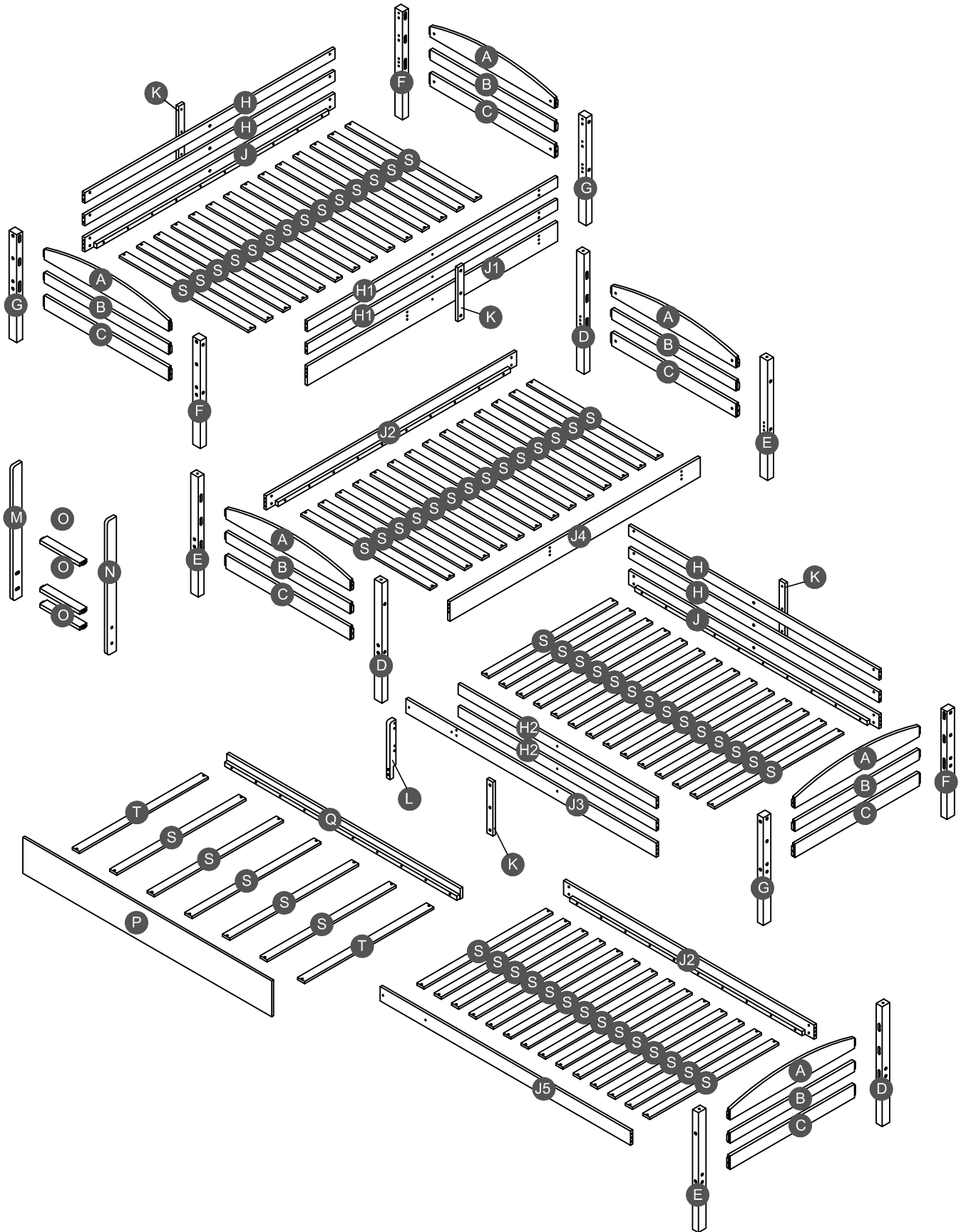
Bed type	Length	Width	Thickness
Twin Standard	74"-75"	38 1/2"	8"

## Up bed (Bunk bed and tribed included)

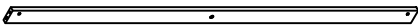
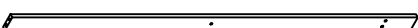
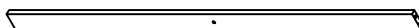

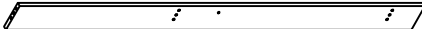

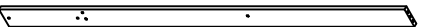

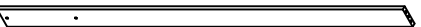


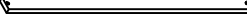

Bed type	Length	Width	Thickness
Twin Standard	74"-75"	38 1/2"	6" max

2. Replacement parts, including additional guardrails, maybe obtained from any of our dealers.
3. Follow the information on the warnings appearing on the upper bunk bed end structure and on the carton. Do not remove warning label from bed.
4. Always use the recommended size mattresses or mattress supports, or both, to help prevent the likelihood of entrapment or falls.
5. Surface of mattress must be at least 5" (127mm) below the upper edge of guardrails.
6. Do not allow children under 6 years of age to use the upper bunk.
7. Periodically check and ensure that the guardrail, ladder, and other components are in their proper position, free from damage, and that all connectors are tight.
8. Do not allow horseplay on or under the bed and prohibit jumping on the bed.
9. Always use the ladder for entering and leaving the upper bunk.
10. Do not use substitute part. Contact the manufacture or dealer for replacement part.
11. Use of a night light may provide added safety precaution for a child using the upper bunk.
12. Always use guardrails on both long sides of the upper bunk. If the bunk bed will be placed next to the wall, the guardrail that runs the full length of the bed should be placed against the wall to prevent entrapment between the bed and wall.
13. The use of water or sleep flotation mattresses is prohibited.
14. **STRANGULATION HAZARD** - Never attach or hang items to any part of the bunk bed that are not designed for use with the bed; for example, but not limited to, hook, belts and jump ropes.
15. Keep these instruction for future reference.
16. Prohibit more than one person on upper bunk
17. We recommend assembling your bunk bed on the shipping carton to protect your floor or carpet.
18. Be certain all staples are out of the box before beginning assembly on the shipping carton.

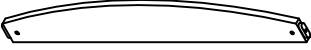
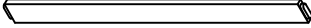
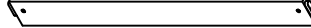
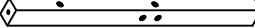
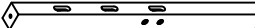



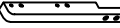
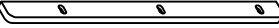
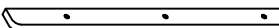
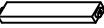
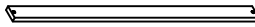
# Detail View



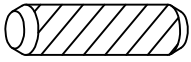
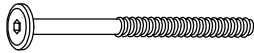
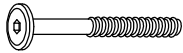
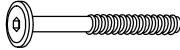




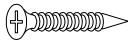

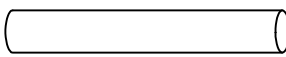

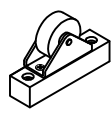
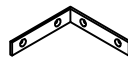
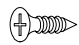
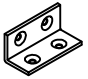
# Part List

<b>H</b>  Long guard rail (back) - 4pcs	<b>H1</b>  Long guard rail (front) - 2pcs	<b>H2</b>  Short guard rail (front) - 2pcs
<b>J</b>  Upper side rail (Back) -2pcs	<b>J1</b>  Upper side rail (front) -1pc	<b>J2</b>  Lower side rail (Back) -2pcs
<b>J3</b>  Upper side rail (front) -1pc	<b>J4</b>  Lower side rail (front) -1pc	<b>J5</b>  Lower side rail (front) -1pc
<b>P</b>  Front panel of trundle - 1pc	<b>Q</b>  Back panel of trundle - 1pc	<b>S</b>  Slats - 24pcs
<b>T</b>  Trundle Slats - 2pcs		

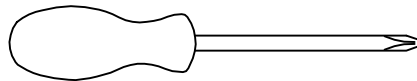
## Hardware List

<b>A</b>  Horizontal bar (HB/FB) - 6pcs	<b>B</b>  Horizontal bar (HB/FB) - 6pcs	<b>C</b>  Horizontal bar (HB/FB) - 6pcs
<b>D</b>  Lower leg HB/FB (left)-3pcs	<b>E</b>  Lower leg HB/FB (right)-3pcs	<b>F</b>  Upper leg HB/FB (left)-3pcs
<b>G</b>  Upper leg HB/FB (right)-3pcs	<b>K</b>  Vertical guard rail - 4pcs	<b>L</b>  Support guard rail (left) - 1pc
<b>M</b>  Ladder (Left) - 1pc	<b>N</b>  Ladder (Right) - 1pc	<b>O</b>  Step ladder - 3pcs
<b>S</b>  Slats - 37pcs		

# Hardware List

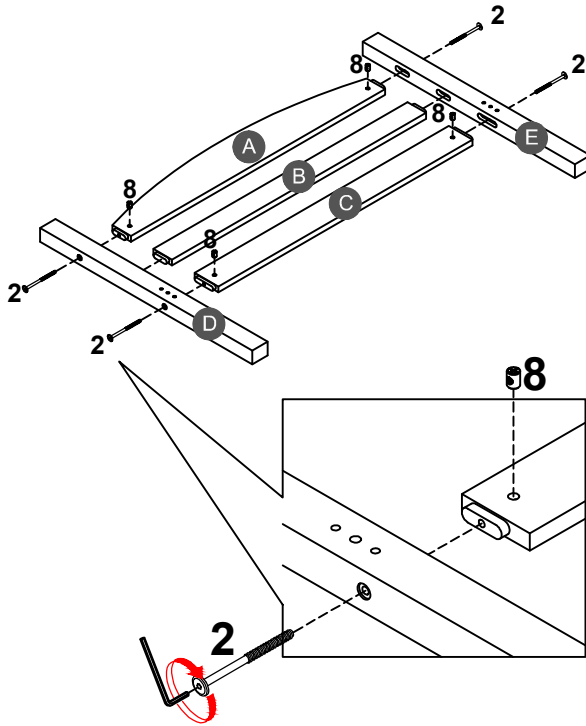
<b>1</b>  Ø10*40mm Wood dowel (16pcs)	<b>2</b>  (Ø15)1/4"*100mm Hex-Head bolts (60pcs)	<b>3</b>  (Ø15)1/4"*80mm Hex-Head bolts (12pcs)
<b>4</b>  (Ø12)1/4"*60mm Hex-Head bolts (6pcs)	<b>5</b>  (Ø12)1/4"*40mm Hex-Head bolts (4pcs)	<b>6</b>  (Ø12)1/4"*35mm Hex-Head bolts (2pcs)
<b>7</b>  (Ø12)1/4"*30mm Hex-Head bolts (12pcs)	<b>8</b>  1/4"*15 (9.5mm) Horizontal-Hole bolts(78pcs)	<b>9</b>  Ø4*30mm Wood screws (134pcs)
<b>10</b>  (1/4")4.5*58mm Allen key (1pc)	<b>11</b>  Ø9*90mm Metal connector (6pcs)	<b>12</b>  Ø8*30mm Wood dowel (16pcs)
<b>13</b>  100*63*20mm Wheels (4pcs)	<b>14</b>  95*95*18*3mm Metal bracket (2pcs)	<b>15</b>  Ø3.5*15mm Wood screws (16pcs)
<b>16</b>  40*18*18*2mm Metal bracket (2pcs)		



## ASSEMBLY TOOLS REQUIRED ( NOT INCLUDED )

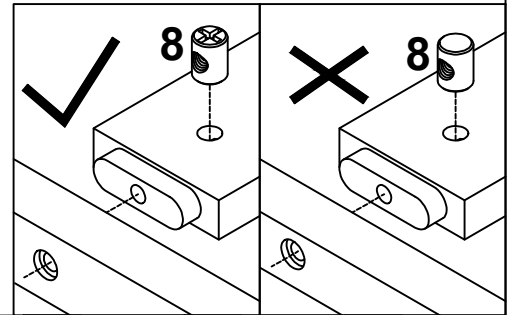


PLEASE BE CAREFUL DO NOT DAMAGE THE HOLE POSITION WHEN YOU USE POWER TOOLS !

**STEP 1:**



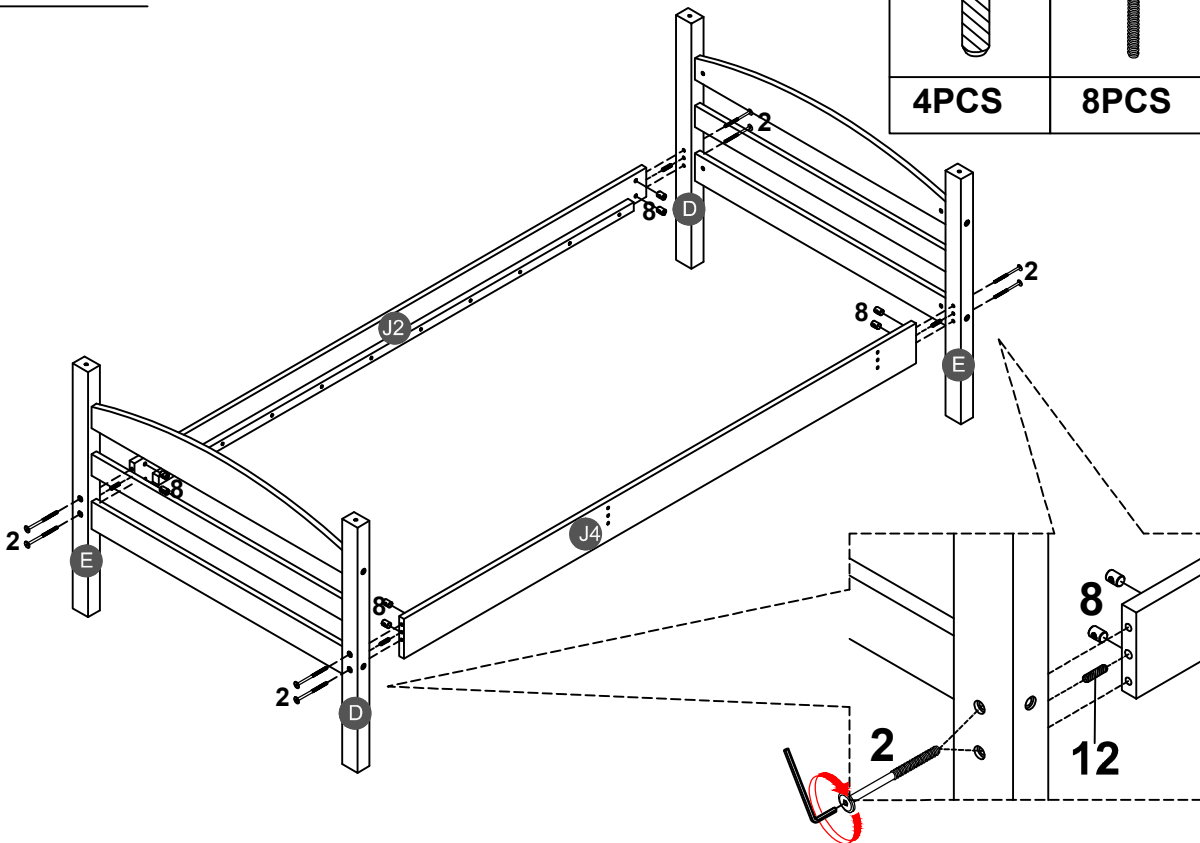
<b>2</b>	<b>8</b>
	
<b>12PCS</b>	<b>12PCS</b>






**x3**

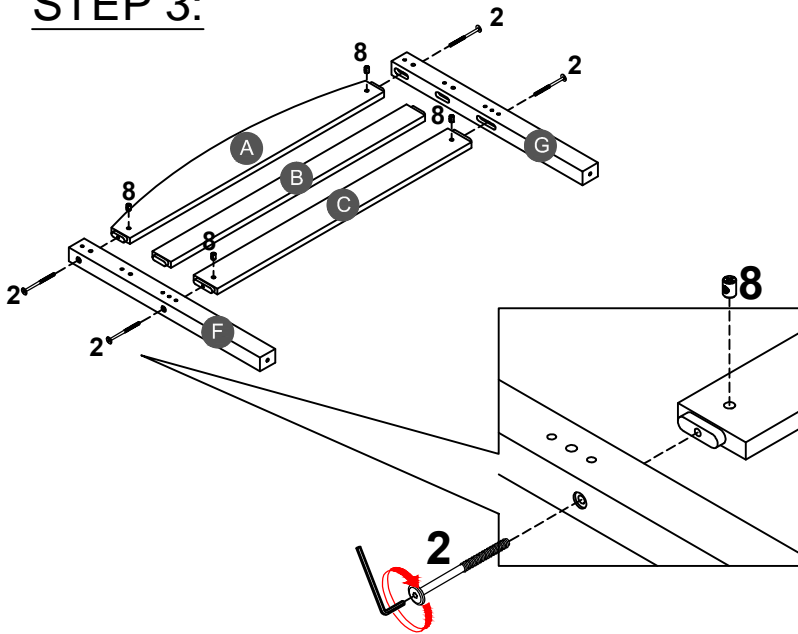
Note: Part 8 will face up with the "x" mark on it, otherwise it cannot be tightened



**STEP 2:**

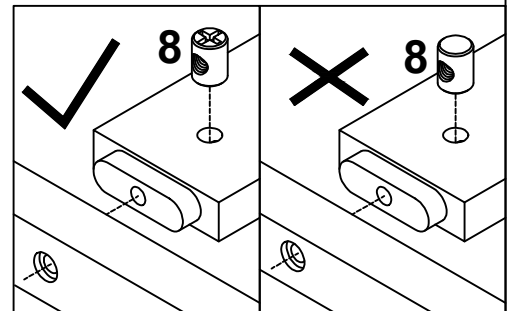


<b>12</b>	<b>2</b>	<b>8</b>
		
<b>4PCS</b>	<b>8PCS</b>	<b>8PCS</b>

### STEP 3:



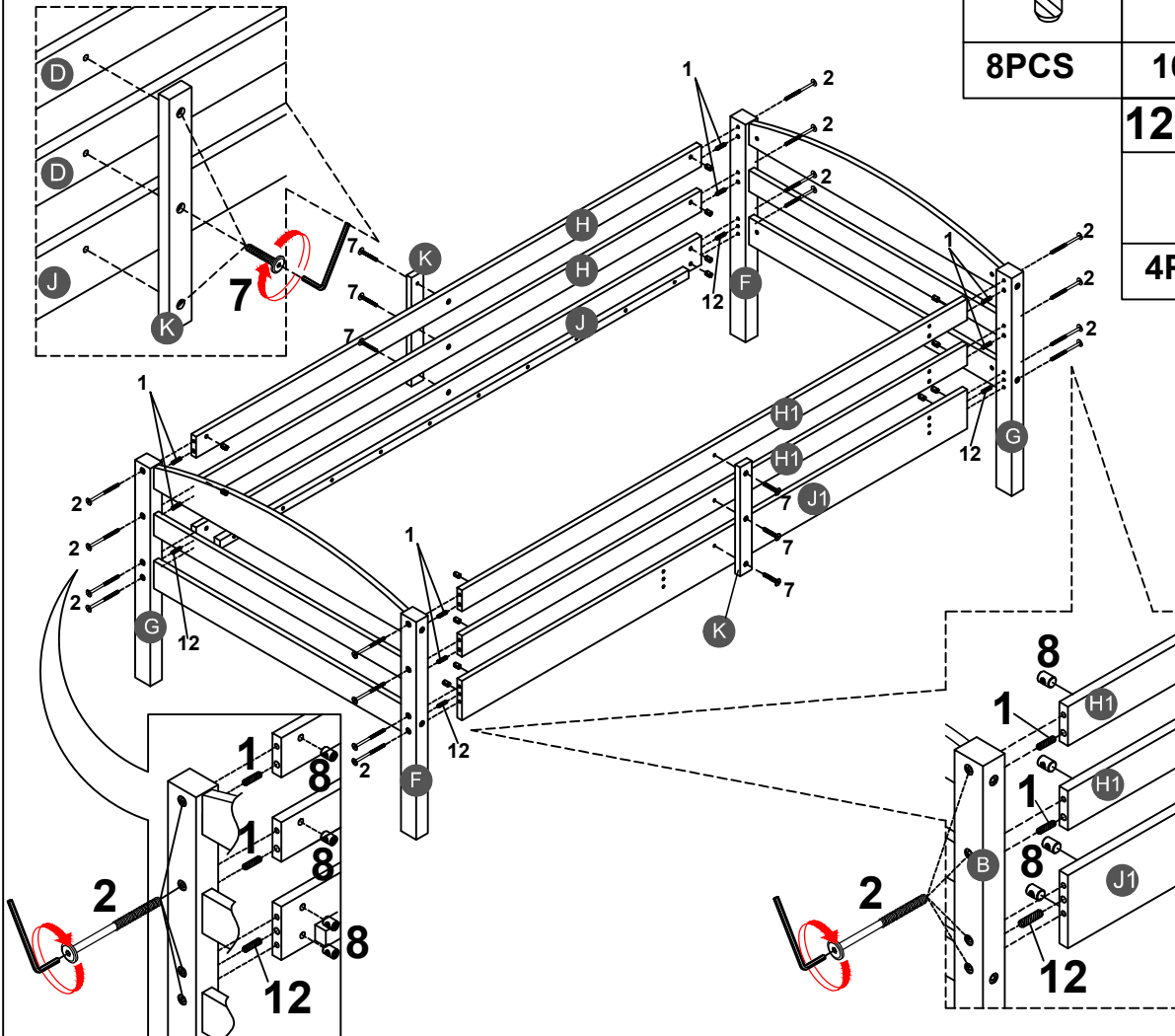
<b>2</b> 	<b>8</b> 
<b>12PCS</b>	<b>12PCS</b>








**x3**

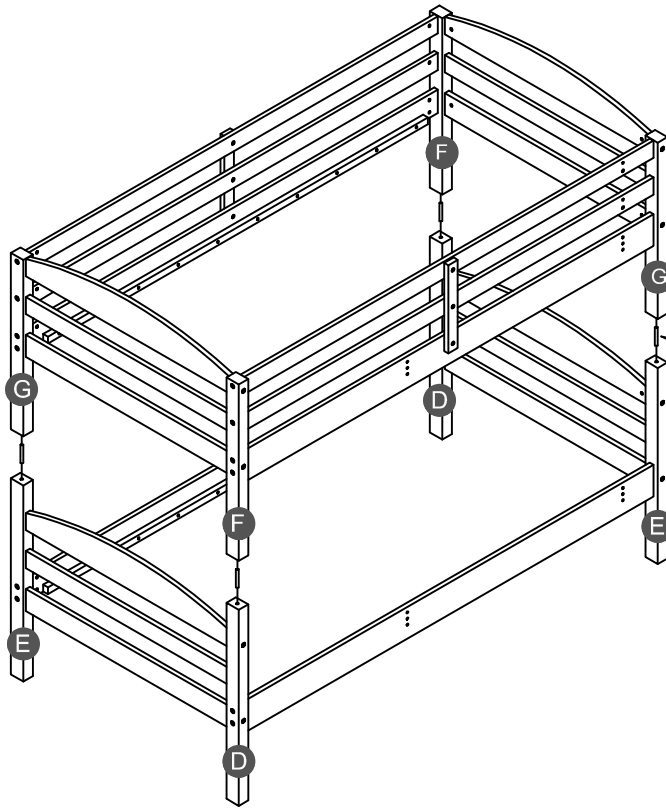
Note: Part 8 will face up with the "x" mark on it, otherwise it cannot be tightened

### STEP 4:



<b>1</b> 	<b>2</b> 	<b>7</b> 
<b>8PCS</b>	<b>16PCS</b>	<b>6PCS</b>
<b>12</b> 	<b>8</b> 	
<b>4PCS</b>	<b>16PCS</b>	

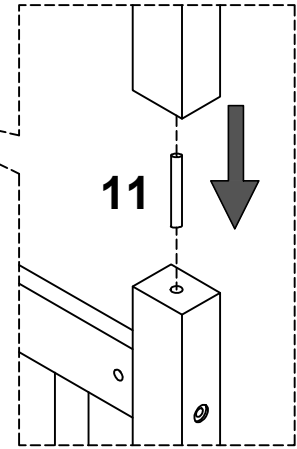
**STEP 5:**



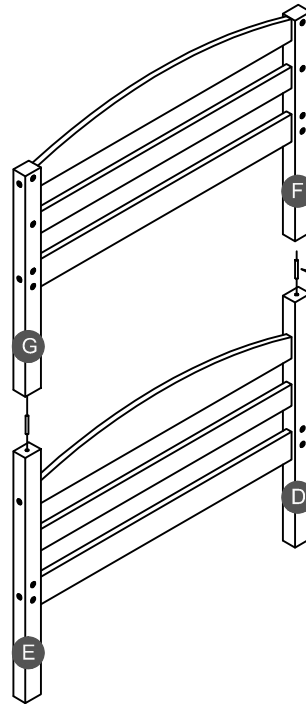
**11**



**4PCS**



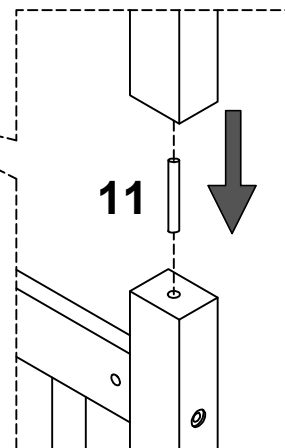
**STEP 6:**



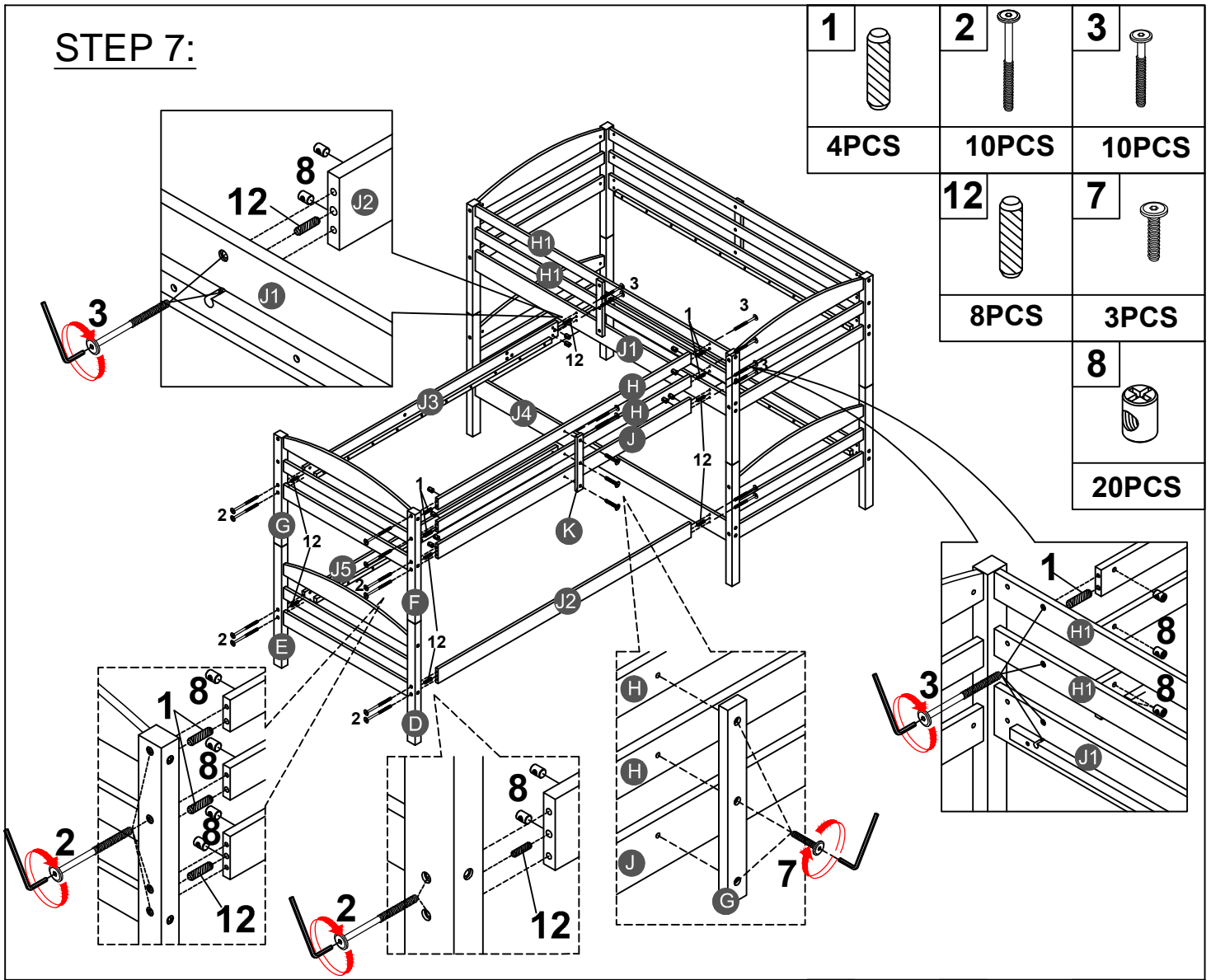
**11**



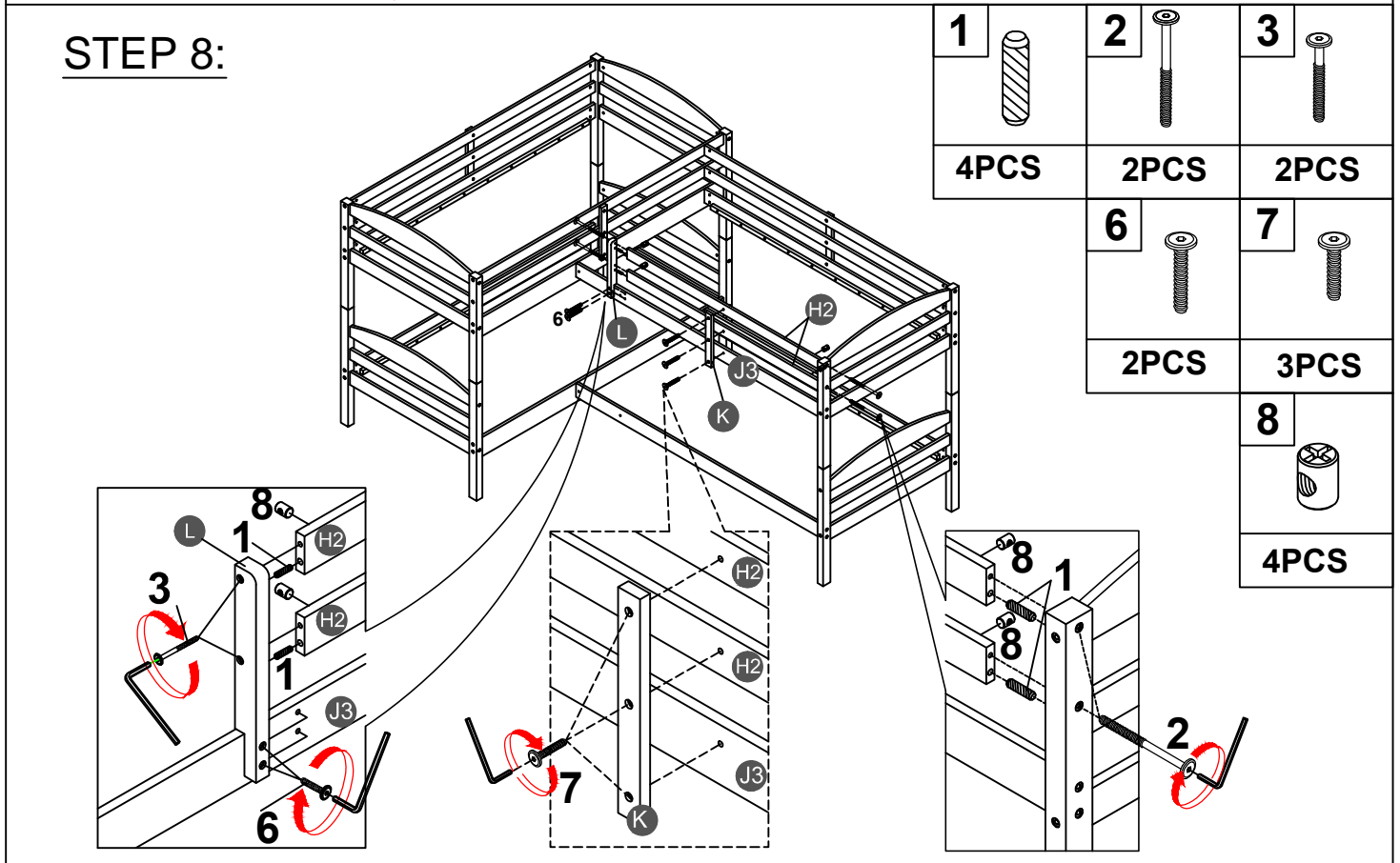
**2PCS**





# STEP 7:

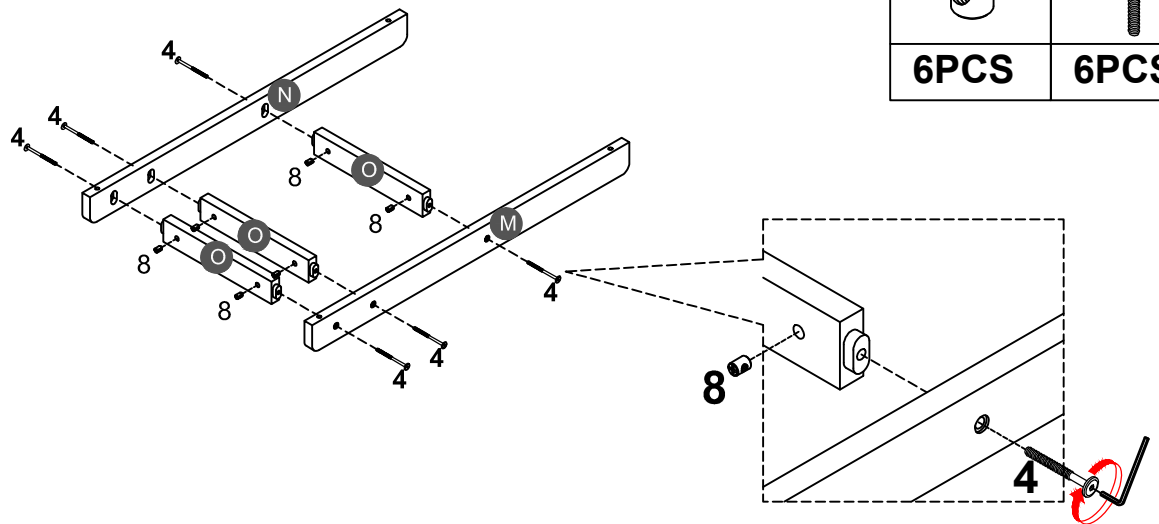


# STEP 8:




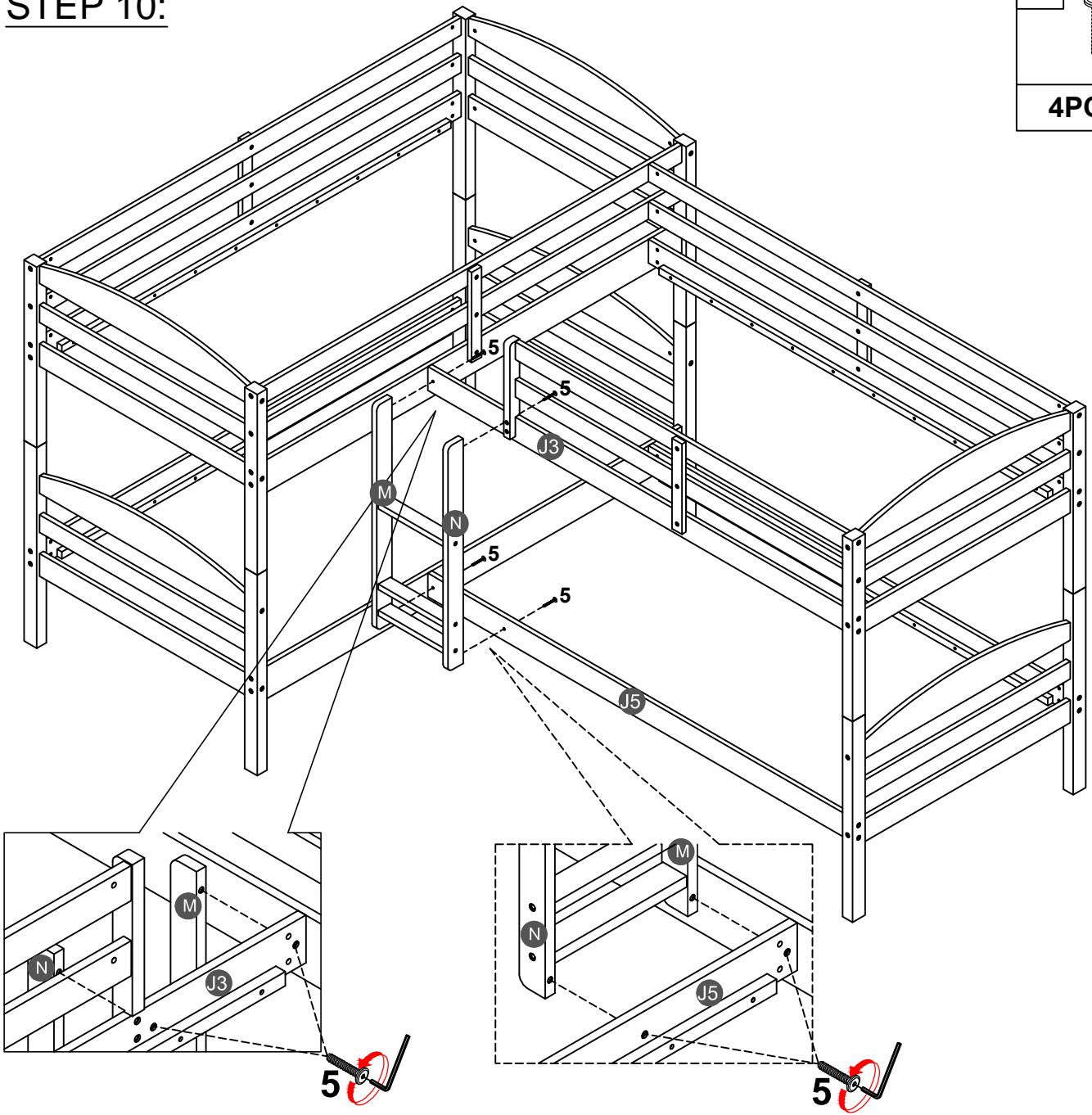
**STEP 9:**

<b>8</b> 	<b>4</b> 
<b>6PCS</b>	<b>6PCS</b>

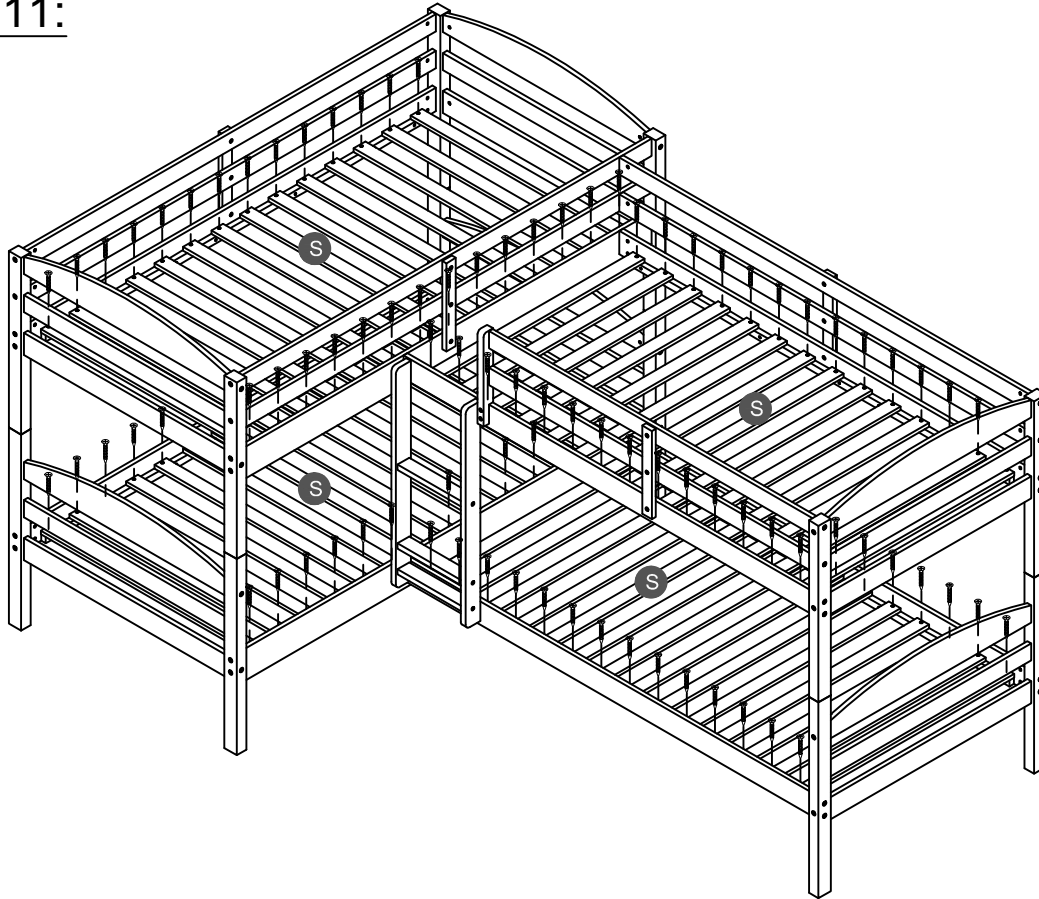


**STEP 10:**

<b>5</b> 
<b>4PCS</b>



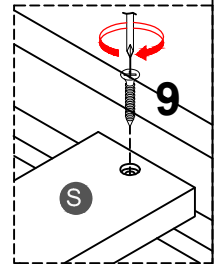
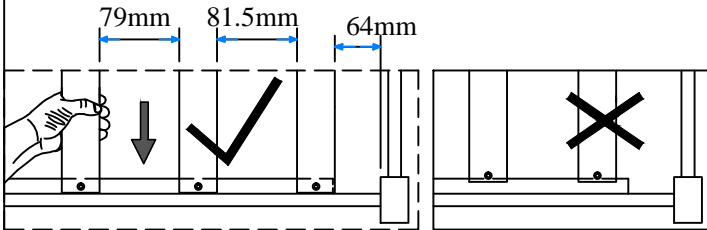
# STEP 11:



9

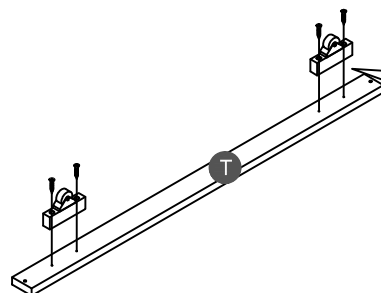
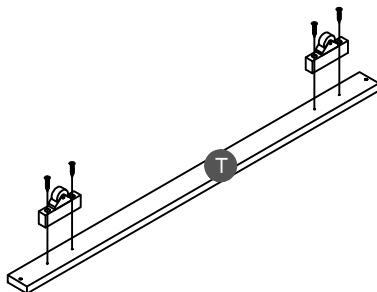


112PCS



Note: Do not lock the screws of the bed slats to the outermost edge of the bed slats, you need to leave a certain space at the edges, otherwise it will cause the board to break. Do not lock the bed slats on the edge of the wood, please hold firmly before screwing, hold it in place with one hand, then lock the screw.

# STEP 12:



13

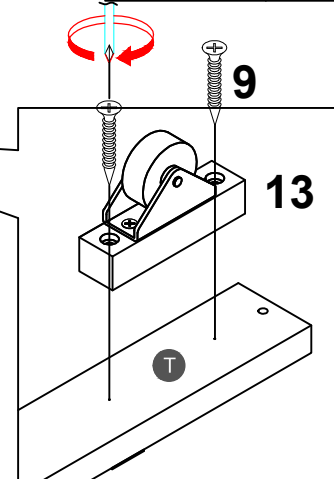


4PCS

9



8PCS

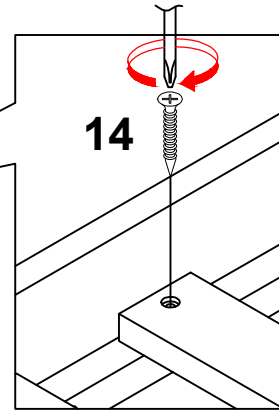
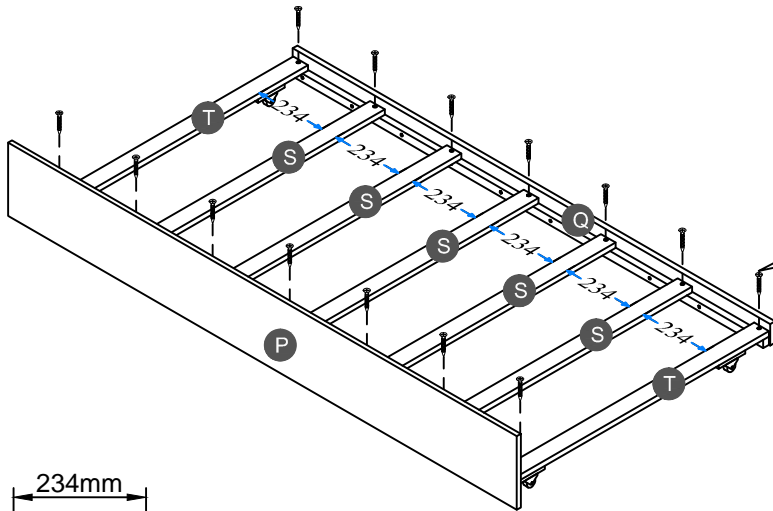


### STEP 13:

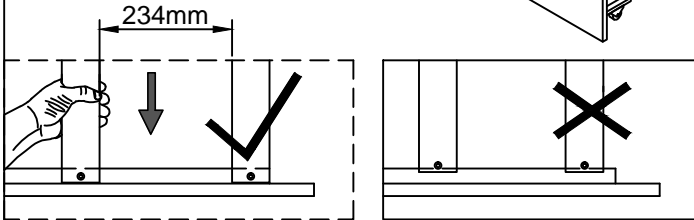
9



14PCS



14



Note: Do not lock the screws of the bed slats to the outermost edge of the bed slats, you need to leave a certain space at the edges, otherwise it will cause the board to break.  
Do not lock the bed slats on the edge of the wood, please hold firmly before screwing, hold it in place with one hand, then lock the screw.

### STEP 14:

14

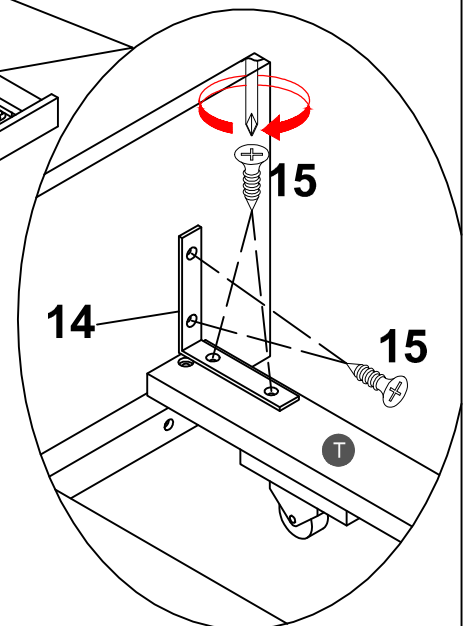
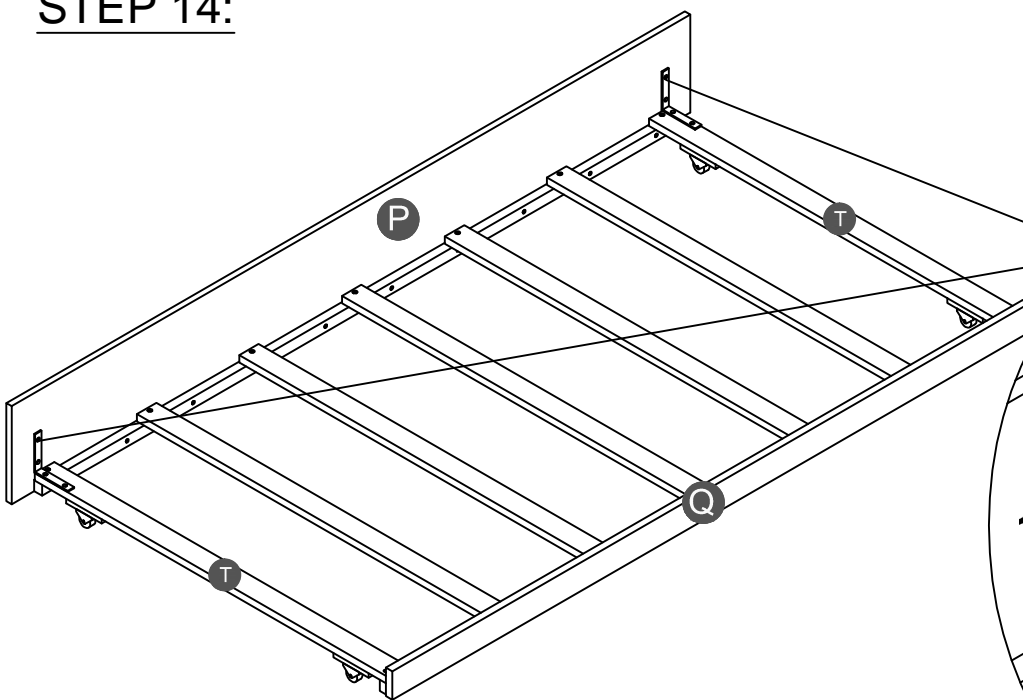


2PCS

15



8PCS

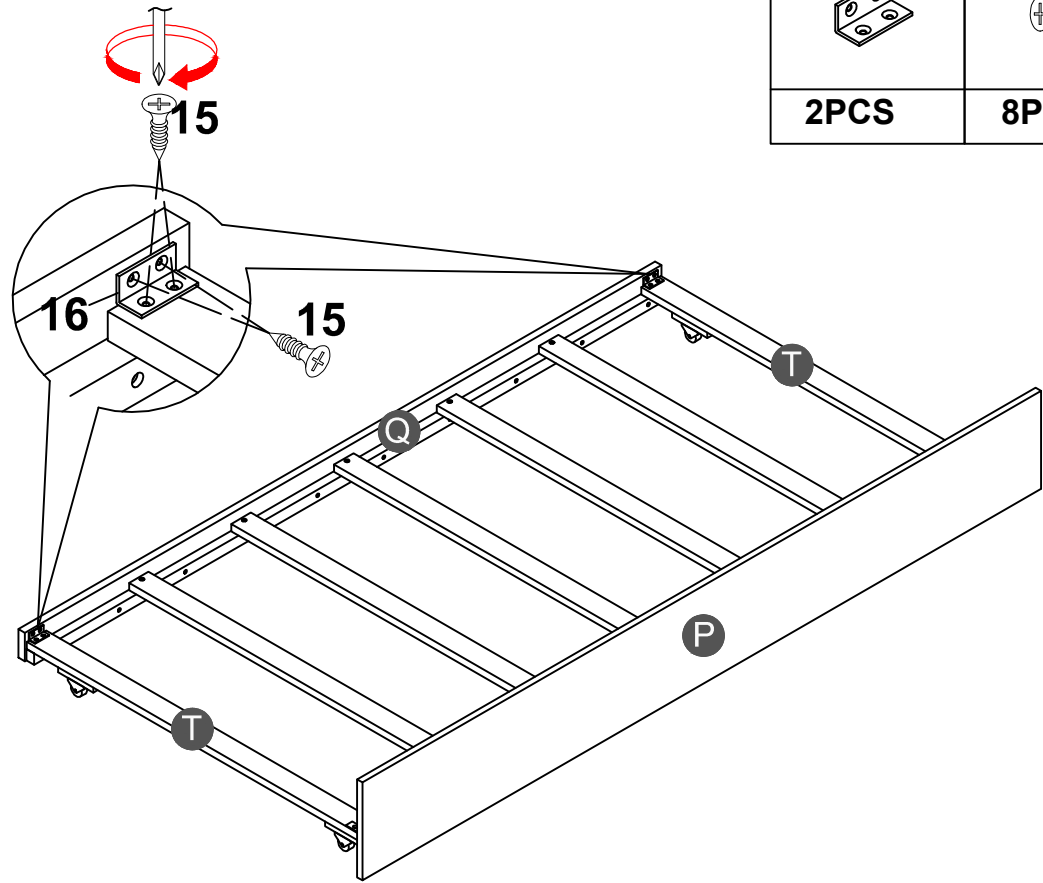


14

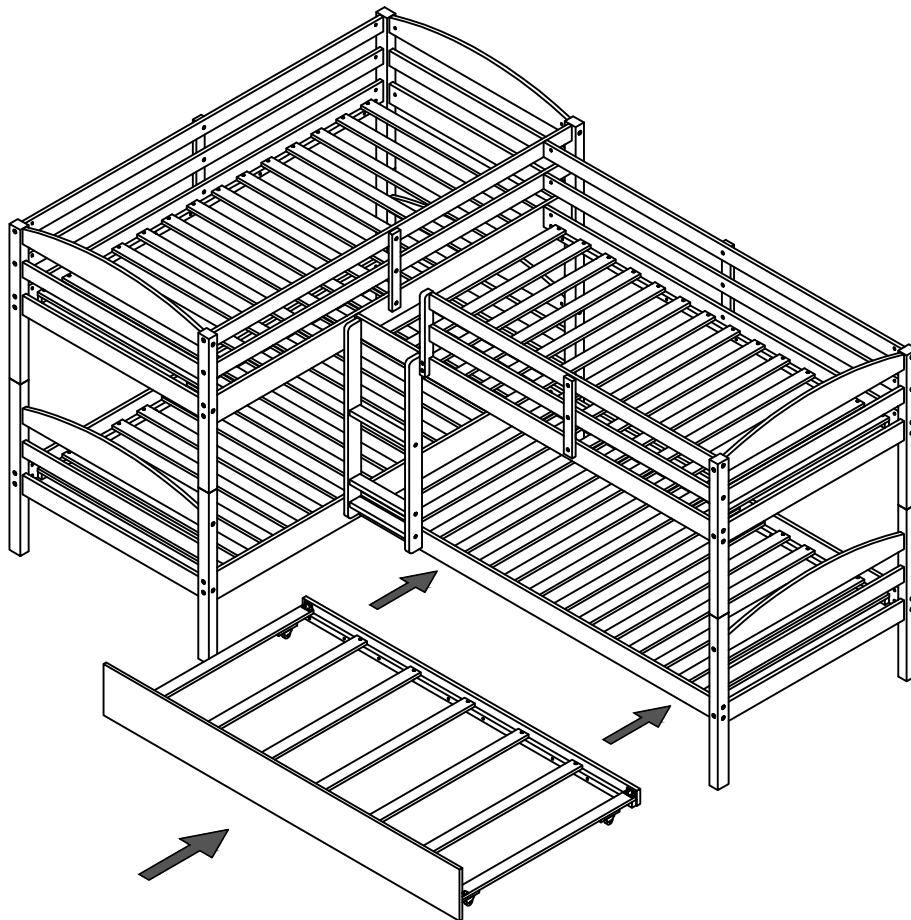
15

15

**STEP 15:**



**STEP 16:**



Push Trundle under the bottom of Bunkbed.