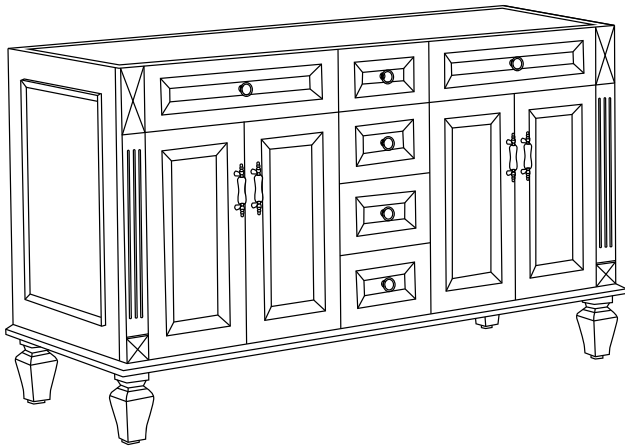

BATHROOM VANITY SET

Colors/Finishes: White, Navy Blue, Titanium Grey
Nominal Dimension: 72W*22D*35H inches

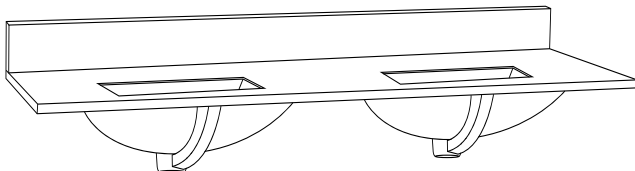


VANITY FEATURES:

1. Material: Solid poplar wood frame, high-quality veneer plywood.
2. Doors: 4 soft-close doors, Austria BLUM Soft-close hinges system.
3. Drawers: 4 soft-close drawers, DTC concealed soft-close sliders.
4. Hardware: Metal alloy with decorative porcelain
5. Installation Type: Freestanding
6. Built-in Adjusters: Adjustable height levelers
7. Vanity Top: High-quality quartz/marble with single undermount sink
8. Assemble required: No
9. Vanity top Included: Yes
10. Mirror Included: Optional
11. Medicine Cabinet Included: Optional

Contents

72"Vanity.....	PAGE2
72"Vanity Top.....	PAGE3
Vanity Installation.....	PAGE4

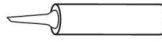


VANITY TOP FEATURES:

1. Material: Highly resilient, nonporous, scratch-and stain-resistant quartz, or natural Italian Carrera white marble.
2. Top Color: Carrera white
3. Sink: 2*20" undermount rectangle sink
4. Faucet Holes: Top pre-drilled for 8" widespread faucet holes
5. Sink Certified: CUPC certified
6. Backsplash: 4" backsplash included
7. Faucet Included: No
8. Nominal Dimension(W*D*H): 72W*22D*0.79H inches

Vanity Installation

SUGGESTED TOOLS AND MATERIALS:



Sealant



Tape Measure

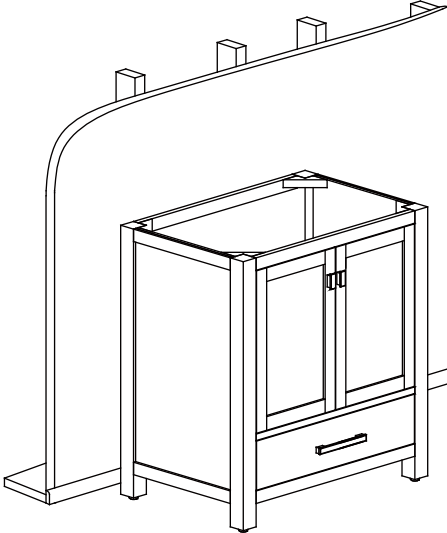


Safety Glasses

INSTALLATION INSTRUCTLONS

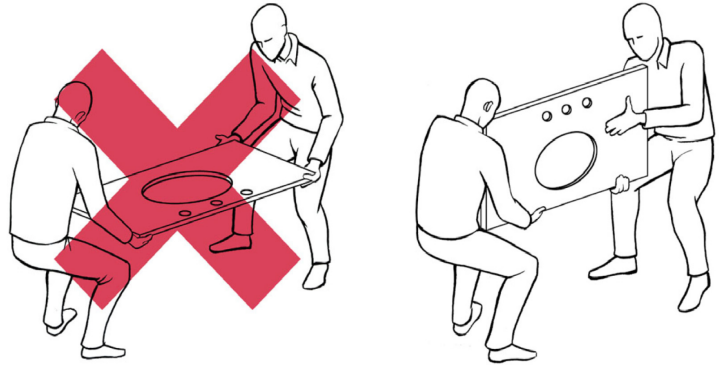
We recommend consulting a professional if you are unfamiliar with installing bathroom fixtures and plumbing .WELLFOR accepts no liability for any damage to the floor,plumbing, vanity cabinet,sink, counter top,or personal injury during installation.

1



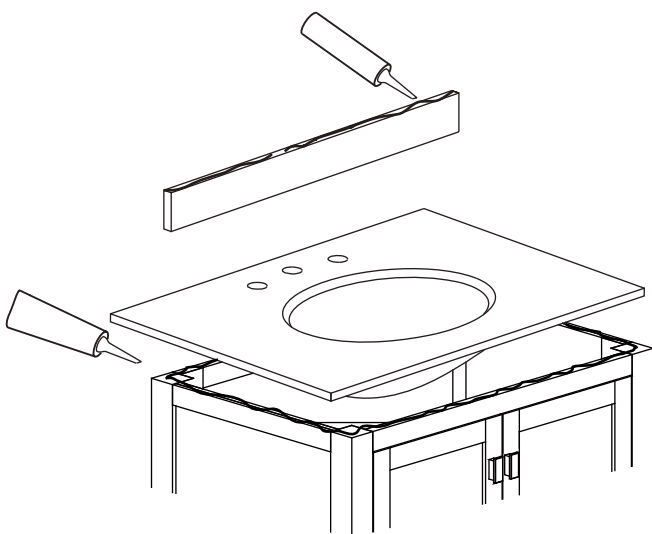
Remove vanity from box and examine vanity for any defects or damage.Carefully place vanity against wall.

2



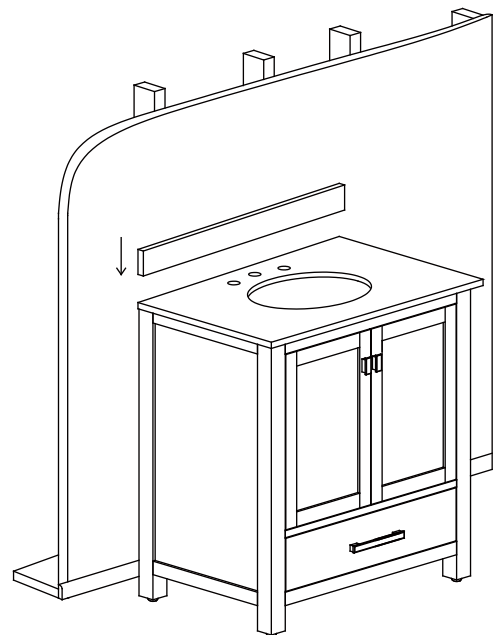
Always use a two man crew,a single person crew is much more likely to break or chip the stone top.

3



Apply bead of quality sealant evenly along the bottom of back splash and the top of the vanity.

4



Finally,place the bottom side of back splash with sealant onto the counter top and check alignment of back splash.