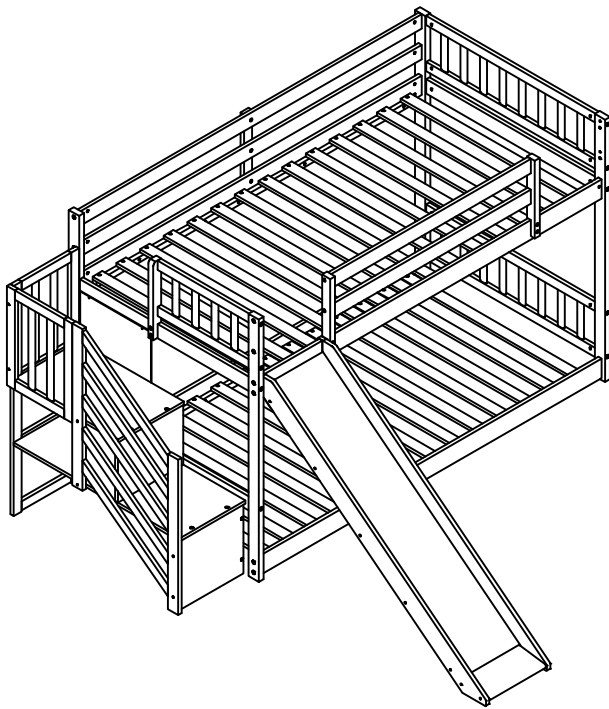
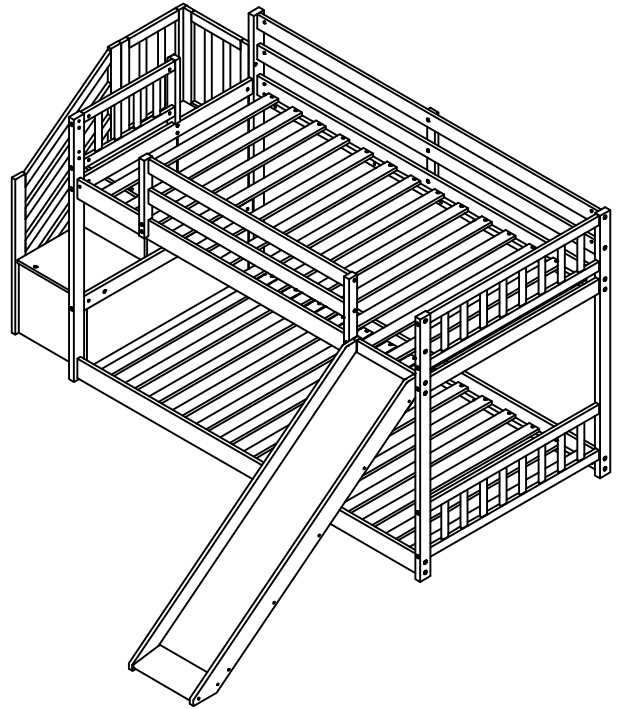


ASSEMBLY INSTRUCTIONS

BUNK BED WITH SLIDE



OR



This set is included 2 boxes if don't receive full 2 boxes please contact our customer service team.

WF286070-WF286071

SAFETY WARNINGS AND GENERAL NOTES:

Follow the information on the warnings on the bunk bed end structure and on the carton. Do not remove the warning label from the bed. Always use the recommended size mattress on mattress support, or both, to help prevent the likelihood of entrapment or falls.

The top surface of the mattress must be at least 5*inch (127mm) below the upper edge of the guardrail.

Do not allow children under 6 years of age to use the upper bunk.

Periodically check and ensure the guardrail, ladder and other components are in their proper position, free from damage, and all connectors are tight.

Do not allow horseplay on or under beds.

Always prohibit jumping on the bed.

Prohibit more than one person on upper bunk.

Always use the ladder for entering and leaving the upper bunk.

Do not use substitute parts. Contact the manufacturer or dealer for replacement parts.

Use of a night-tight may provide added safety precaution for a child using the upper bunk.

Always use guardrails on both long sides of the upper bunk.

If the bunk bed will be placed next to a wall, the guardrail that runs the full length of the bed should be placed against the wall to prevent entrapment between the bed and the wall.

The use of water or sleep flotation mattresses is prohibited.

STRANGULATION HAZARD-Never attach or hang items to any part of the bunk bed that are not designed for use with the bed.

Keep these instructions for future reference.

We recommend assembling your bunk bed on the shipping carton to protect your floor or carpet.

Be certain all staples are out of the box before beginning assembly on the shipping carton.

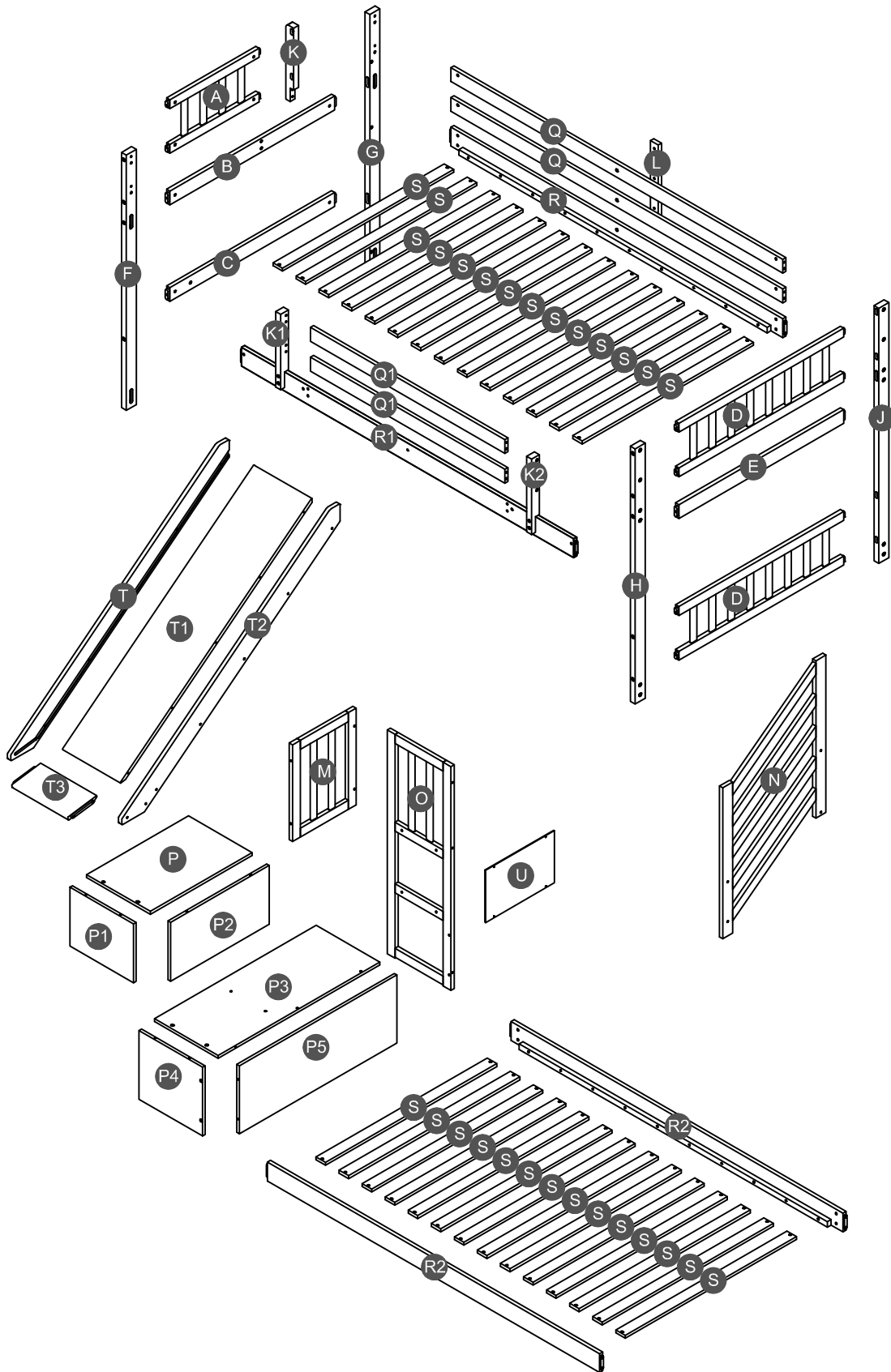
USE ONLY MATTRESSES WHICH ARE 74"-75" LONG AND 38 1/2" WIDE ON UPPER AND ON LOWER BUNKS. ENSURE THICKNESS OF MATTRESS DOES NOT EXCEED 6".

SURFACE OF MATTRESS MUST BE AT LEAST 5" (127MM) BELOW THE UPPER EDGE OF GUARDRAILS.

Replacement Parts:

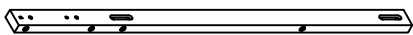
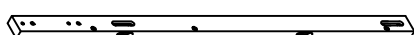
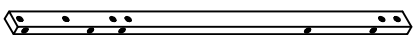
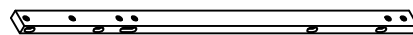

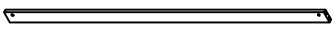

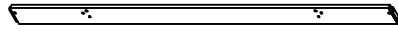
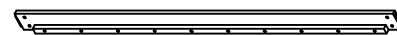
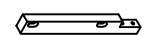

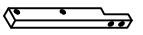


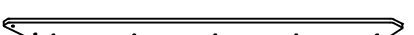

Replacement Parts, including additional guardrails, may be obtained from any of our (GIGACLOUD TECHNOLOGY (USA) INC.) dealers

Detail View

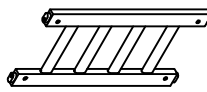
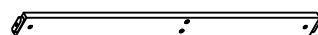
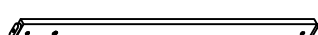
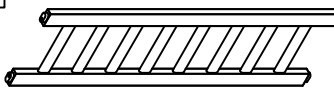
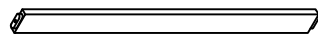
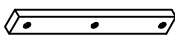
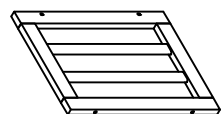
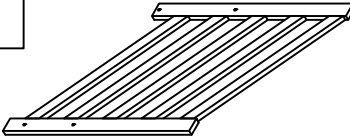
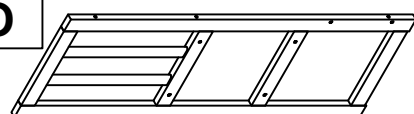

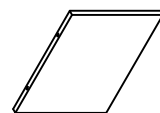
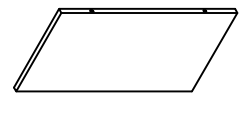


Part List

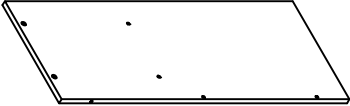
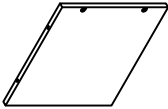
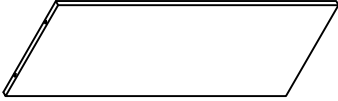
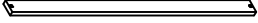
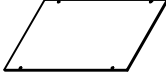
Hardware List WF286070

F  Leg FB (Front) - 1pc	G  Leg FB (Back) - 1pc	H  Leg HB (Front) - 1pc
J  Leg HB (Back) - 1pc	Q  Long guard rail (Back) - 2pcs	Q1  Short guard rail (Front) - 2pcs
R  Upper side rail (back) - 1pc	R1  Upper side rail (Front)-1pc	R2  Lower side rail-2pcs
K  Support guard rail - 1pc	K1  Left support guard rail - 1pc	K2  Right support guard rail - 1pc
T  Left side slide - 1pc	T1  Slide panel - 1pc	T2  Right side slide - 1pc
T3  Slide base support - 1pc		

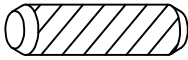

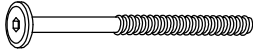
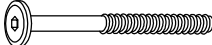
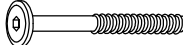




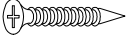

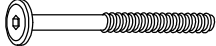

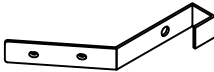
WF286071

A  Upper FB - 1pc	B  Upper horizontal FB- 1pc	C  Lower horizontal FB- 1pc
D  Upper / Lower HB - 2pcs	E  Horizontal HB- 1pc	L  Vertical guard rail - 1pc
M  Upper guard side - 1pc	N  Guard side - 1pc	O  Frame guard back - 1pc
P  Upper step ladder panel - 1pc	P1  Upper front panel - 1pc	P2  Upper side panel - 1pc

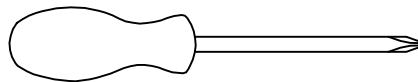
Part List

P3  Lower step ladder panel -1pc	P4  Lower front panel - 1pc	P5  Lower side panel - 1pc
S  Slats - 28pcs	U  Panel (FB)- 1pc	

Hardware List

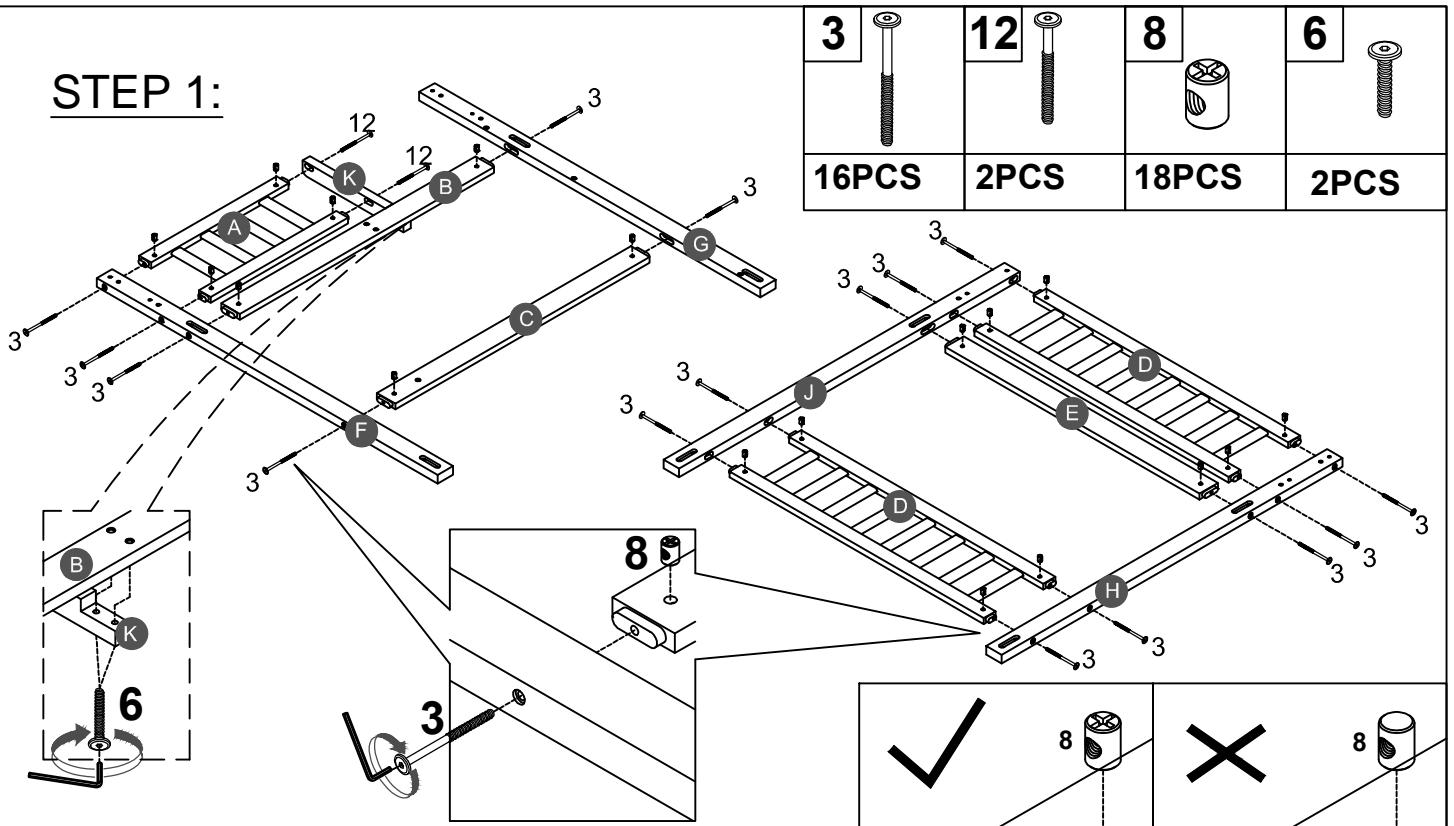
1  Ø10*40mm Wood dowel (8pcs)	2  Ø8*30mm Wood dowel (4pcs)	3  (Ø15)1/4"*100mm Hex-Head bolts (16pcs)
4  (Ø15)1/4"*80mm Hex-Head bolts (24pcs)	5  (Ø12)1/4"*60mm Hex-Head bolts (26pcs)	6  (Ø12)1/4"*35mm Hex-Head bolts (8pcs)
7  (Ø12)1/4"*30mm Hex-Head bolts (3pcs)	8  1/4"*15 (9.5mm) Horizontal-Hole bolts(66pcs)	9  (1/4")4.5*58mm Allen key (1pc)
10  Ø4*30mm Wood screws (60pcs)	11  Ø3.5*15mm Wood screws (4pcs)	12  (Ø12)1/4"*70mm Hex-Head bolts (2pcs)
13  (Ø12)1/4"*50mm Hex-Head bolts (14pcs)	14  142*18*2mm Hooks (2pcs)	

ASSEMBLY TOOLS REQUIRED (NOT INCLUDED)

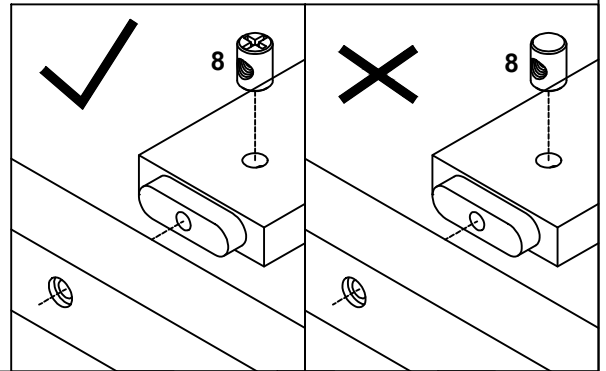


PLEASE BE CAREFUL DO NOT DAMAGE THE HOLE POSITION WHEN YOU USE POWER TOOLS !

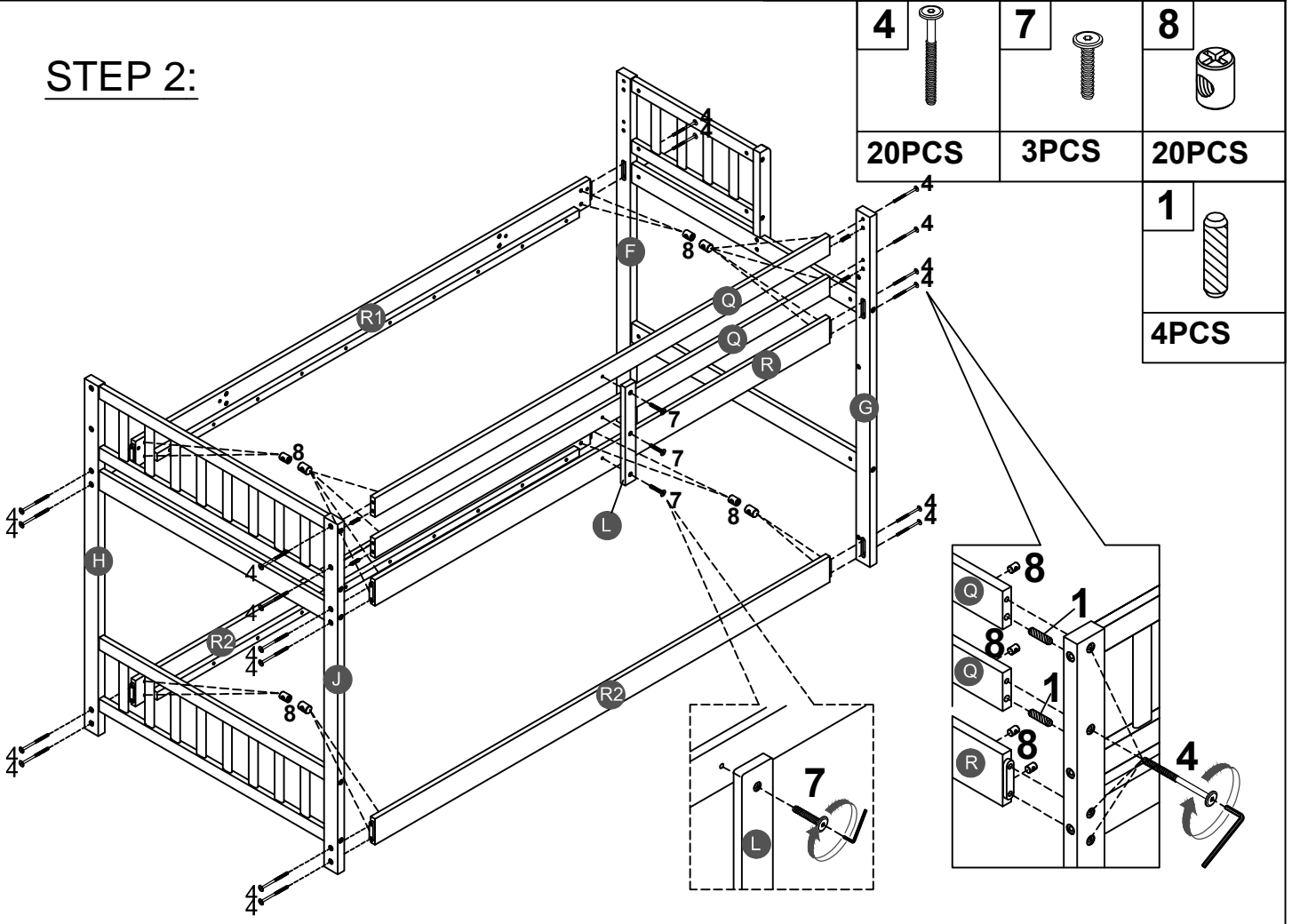
STEP 1:






Note: Part 8 will face up with the "x" mark on it, otherwise it cannot be tightened

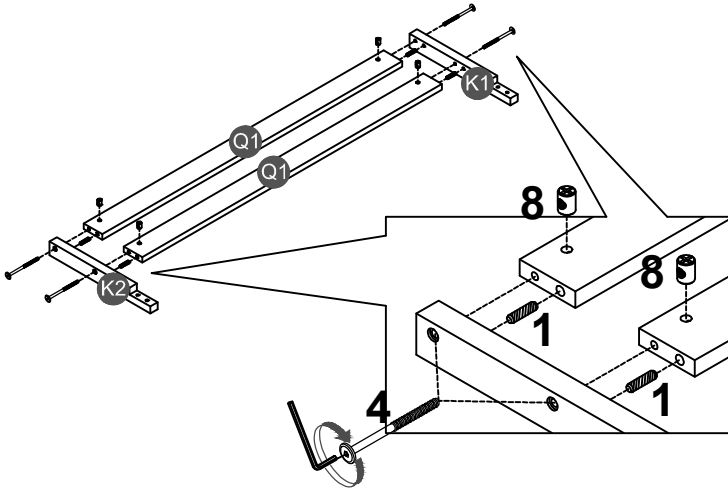


STEP 2:

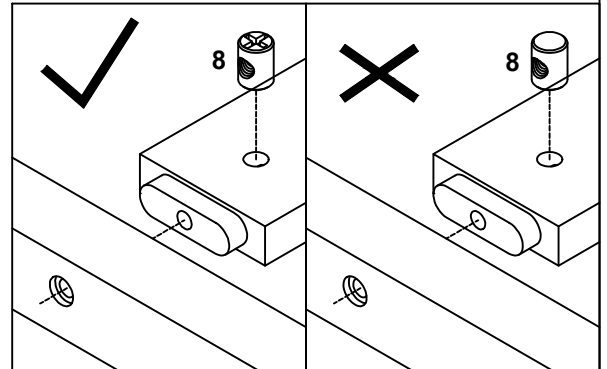


STEP 3:


1		4		8	
4PCS		4PCS		4PCS	

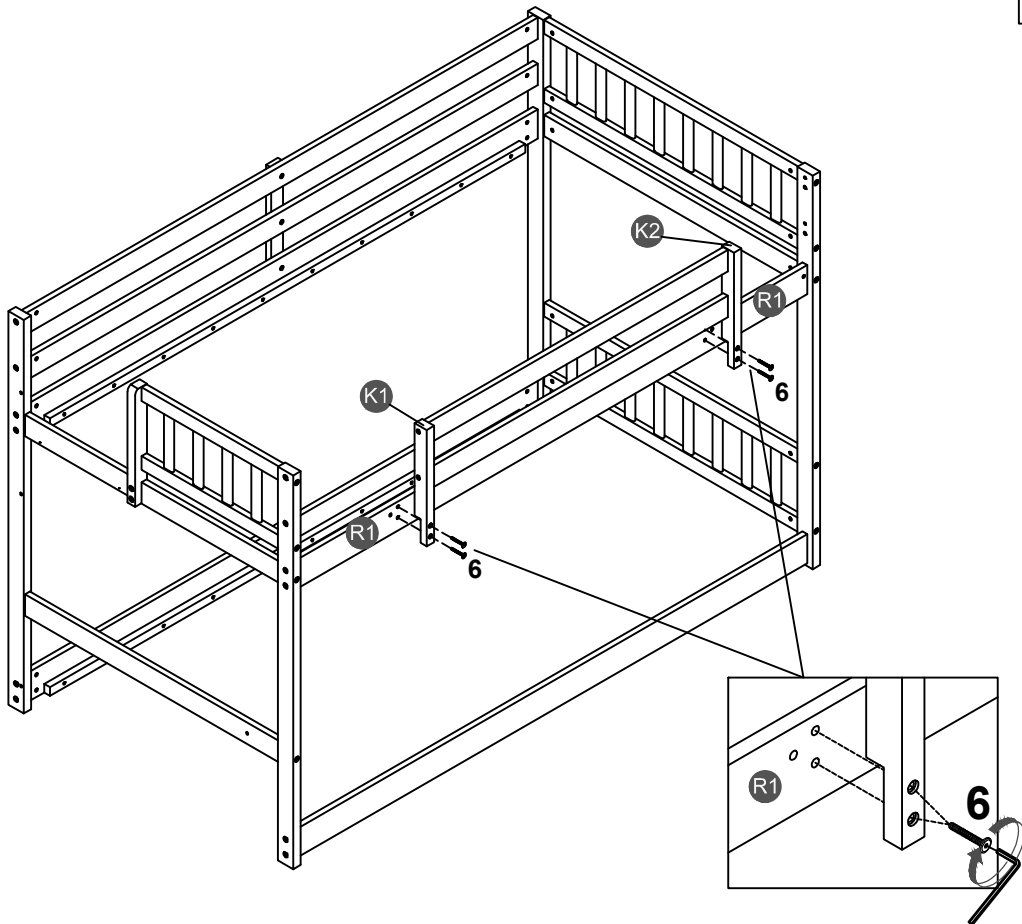


Note: Part 8 will face up with the "x" mark on it, otherwise it cannot be tightened






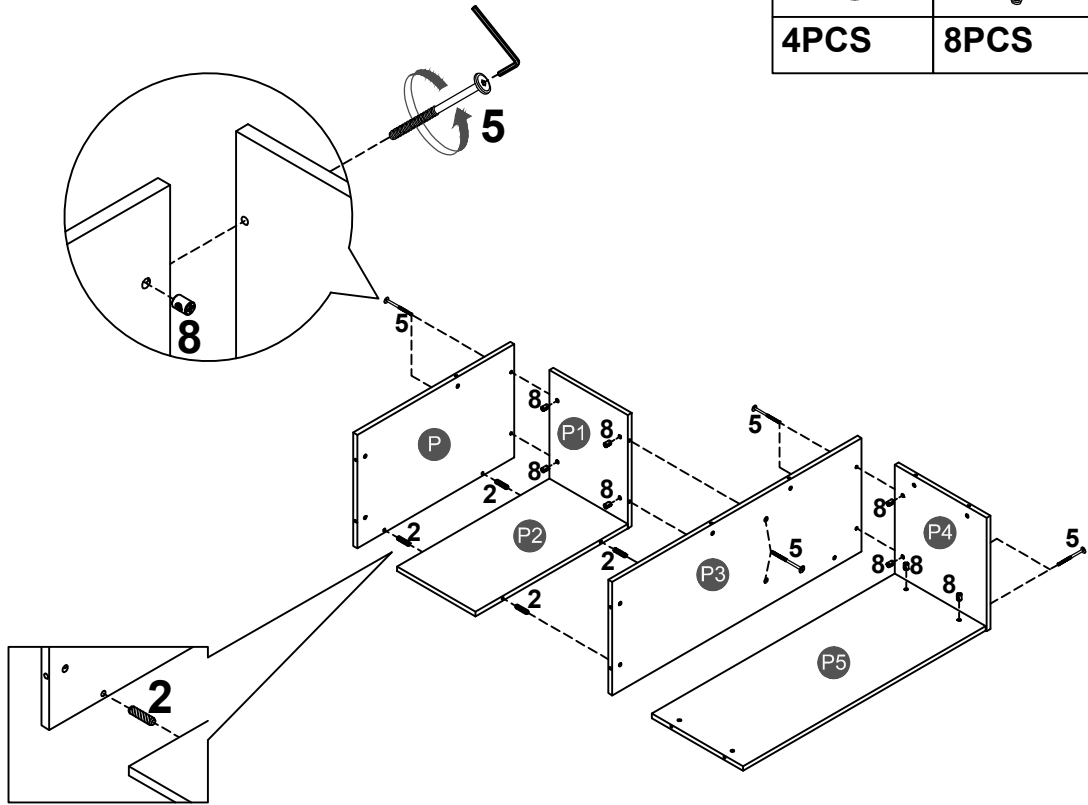
STEP 4:

6	
4PCS	






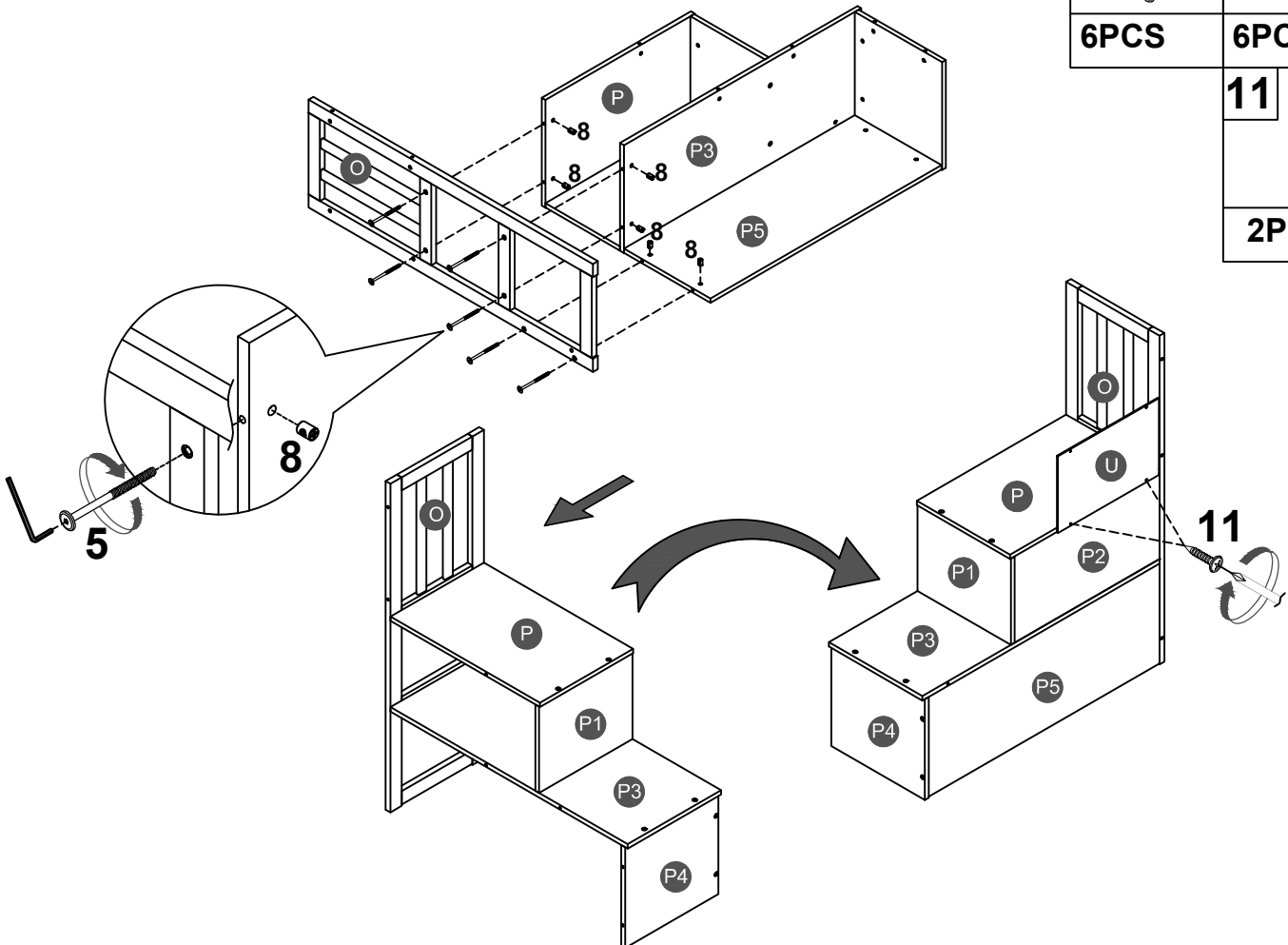
STEP 5:

2		5		8	
4PCS		8PCS		8PCS	

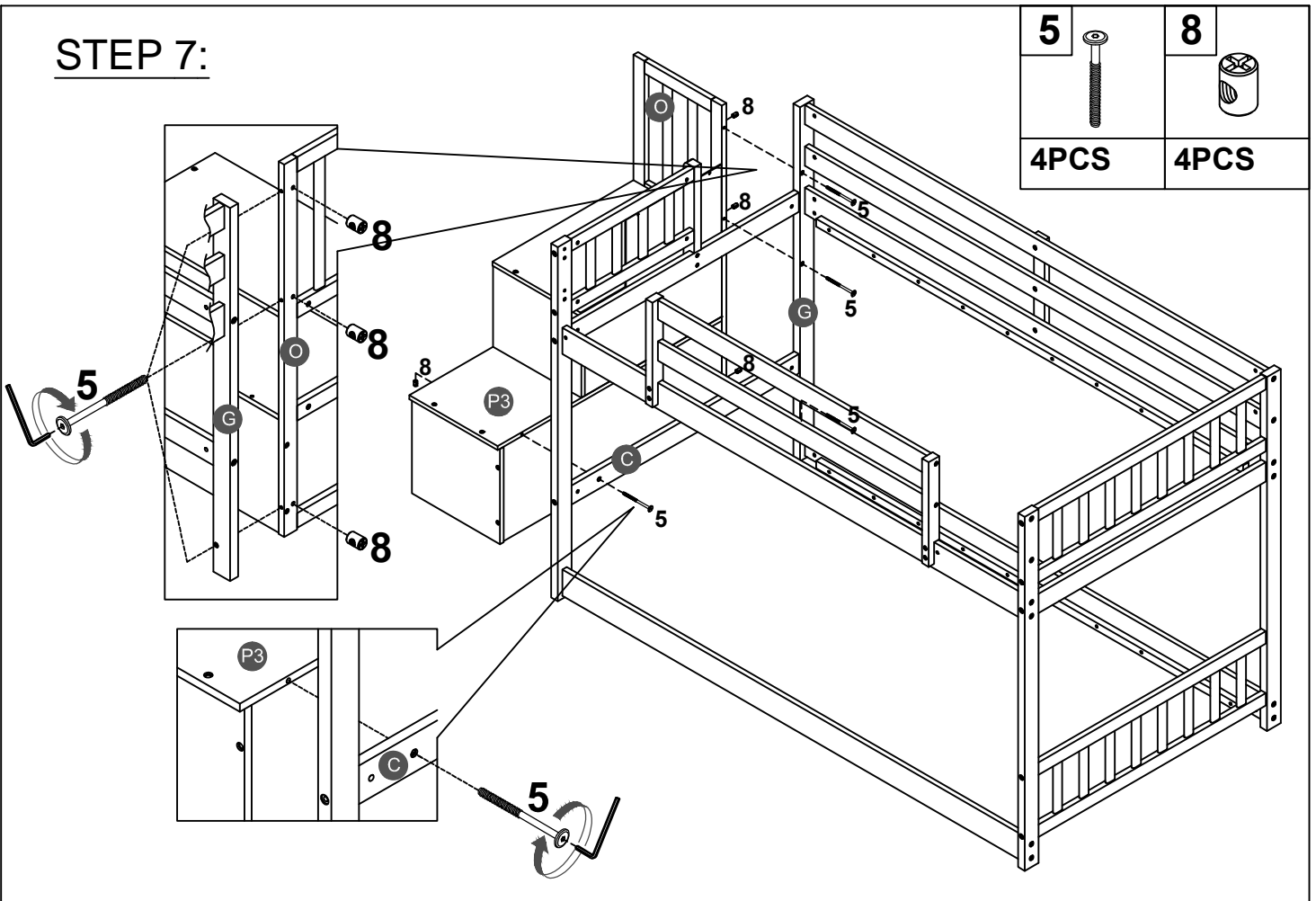


STEP 6:

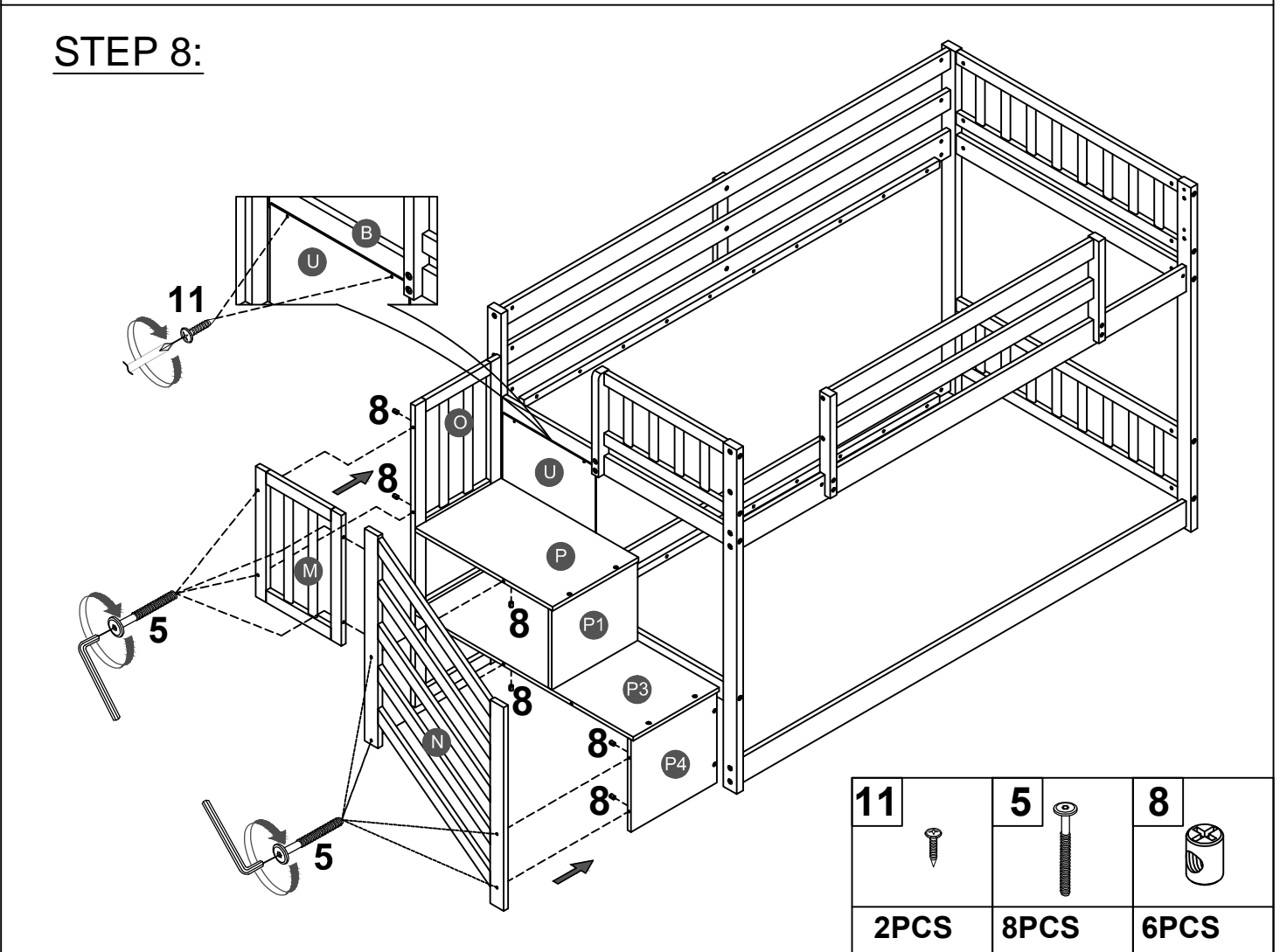
5		8	
6PCS		6PCS	
		11	
		2PCS	



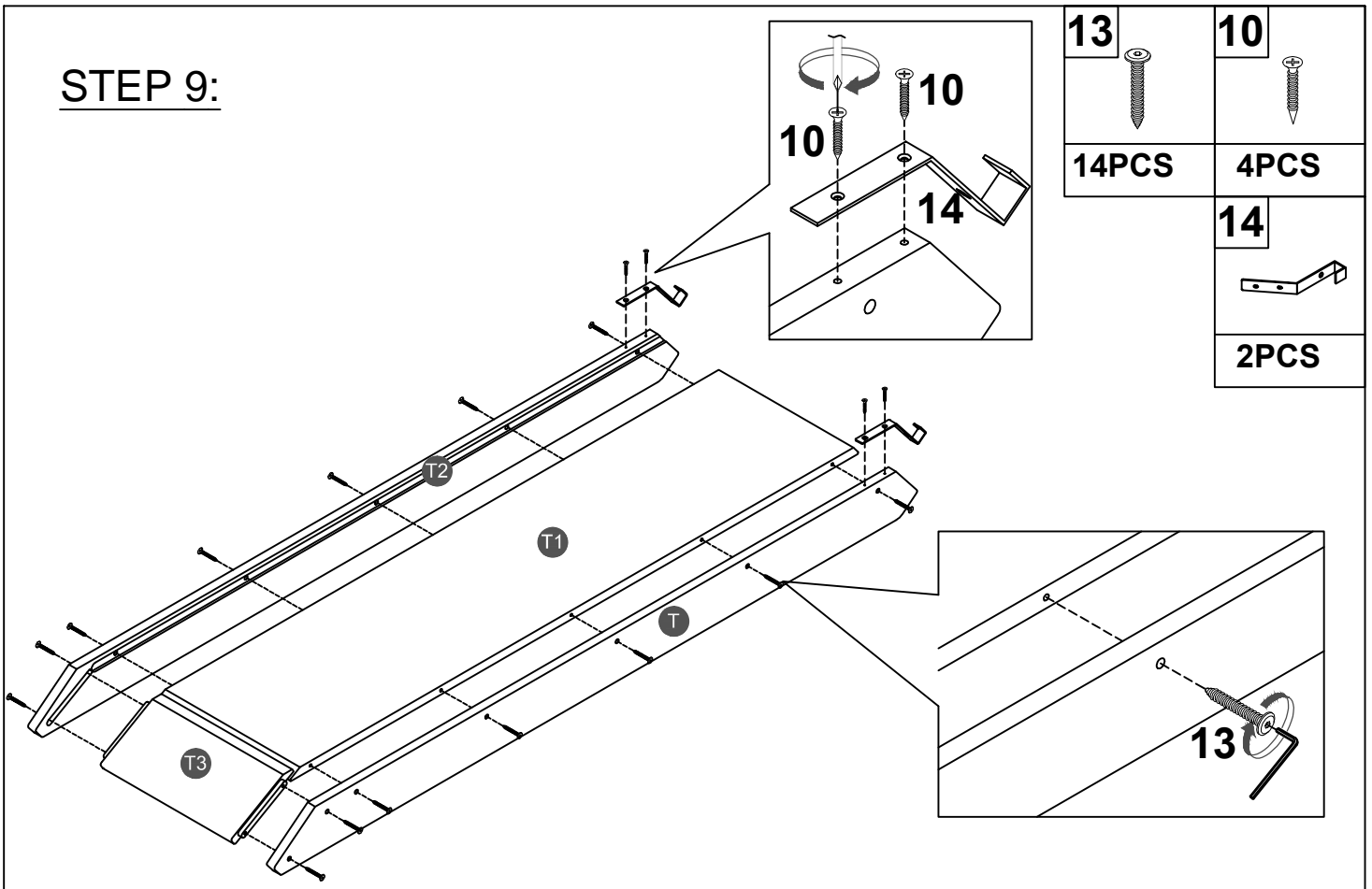
STEP 7:



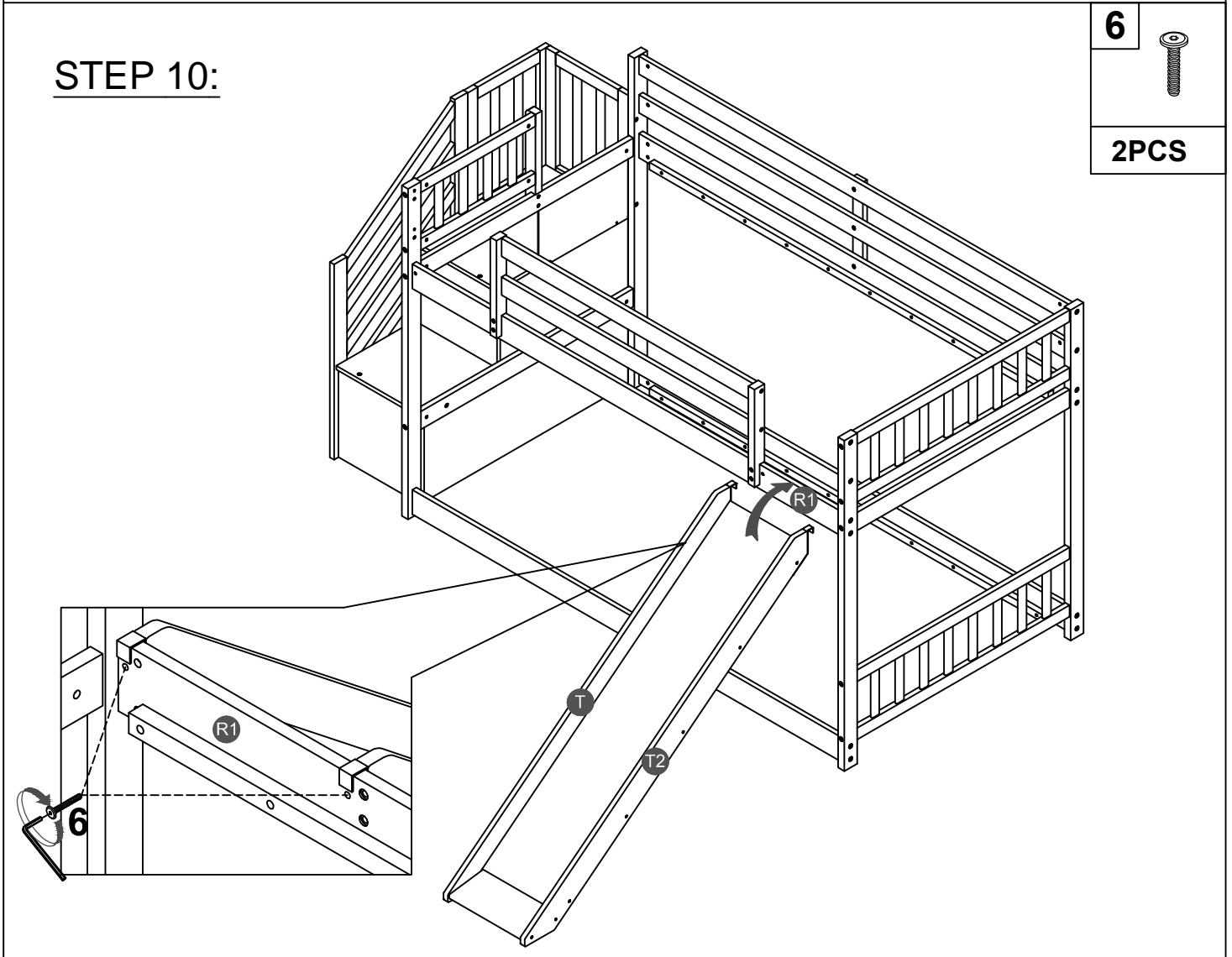
STEP 8:



STEP 9:

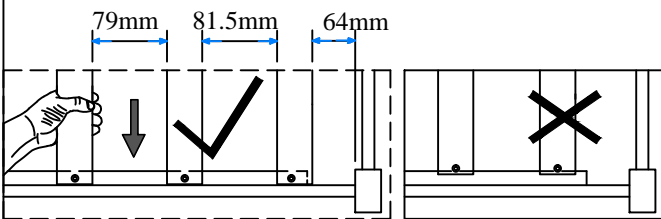
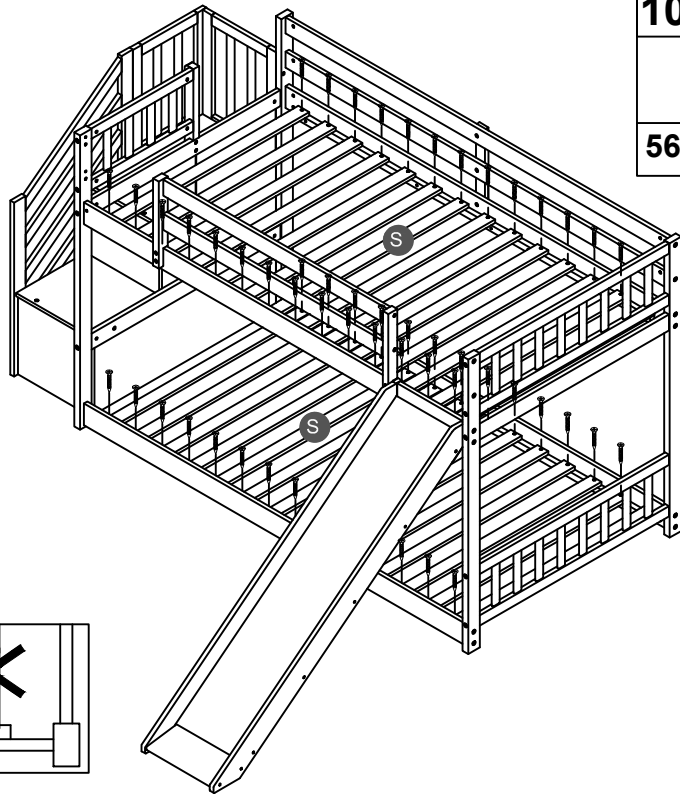
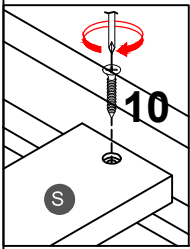


STEP 10:



STEP 11:

10
56PCS



Note: Do not lock the screws of the bed slats to the outermost edge of the bed slats, you need to leave a certain space at the edges, otherwise it will cause the board to break. Do not lock the bed slats on the edge of the wood, please hold firmly before screwing, hold it in place with one hand, then lock the screw.

