

Coat Rack Wall Mount

“



Warm Reminder

If you experience any issues with our product (including missing parts, damage, installation issues, or not meeting expectations), please contact us. We'll ensure satisfactory assistance within 24 hours.

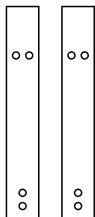
”

Notice

1. Please read the following instructions carefully and use the product as directed.
2. Avoid allowing any sharp objects to touch or rub against the surface of the product.
3. Before beginning assembly, ensure all parts are present and correct.
4. Do not fully tighten any bolts or screws until the entire unit is assembled. Completely tighten all screws after all holes have been successfully filled with screws.
5. Avoid using power tools, as they can over-tighten screws and strip threads.
6. This manual may not cover every detail and variation of the assembly steps. Please contact us for further information or assistance if needed.

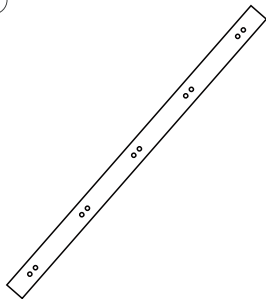
Part List

①



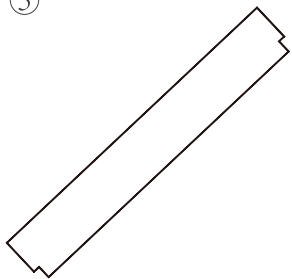
2 PCS

②



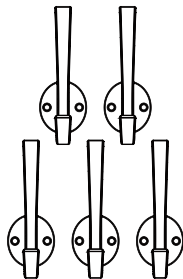
1 PCS

③



1 PCS

④



5 PCS

Hardware List

A



10 PCS

B



8 PCS

C



4 PCS

D



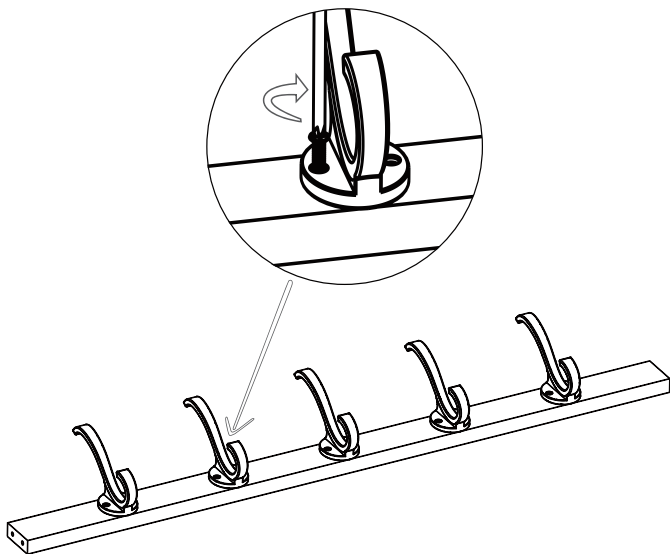
4 PCS

Tools Required: Screwdriver, Hammer, Handheld drill.

Installation Procedure

Step 1

Install the hooks with a screwdriver.



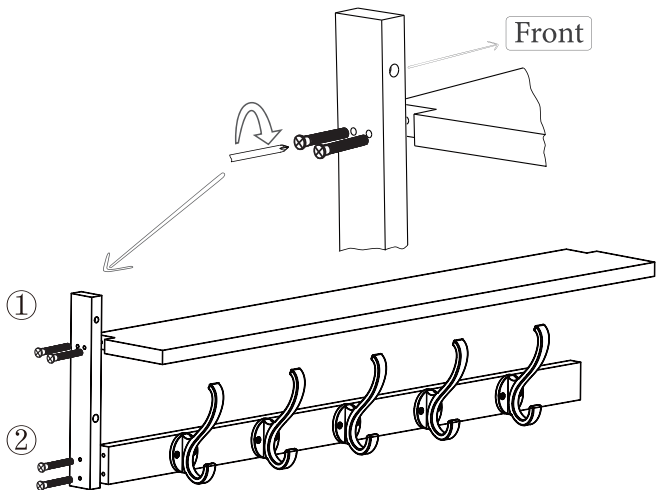
Installation Procedure

Step 2

Fix the side bar on one side.

Note: Make the side with big holes face forward.

Please don't install both sides at the same time. Make sure to completely attach one side, from top to bottom, before starting on the other side. This helps avoid any unevenness or twisting in the frame.



Installation Procedure

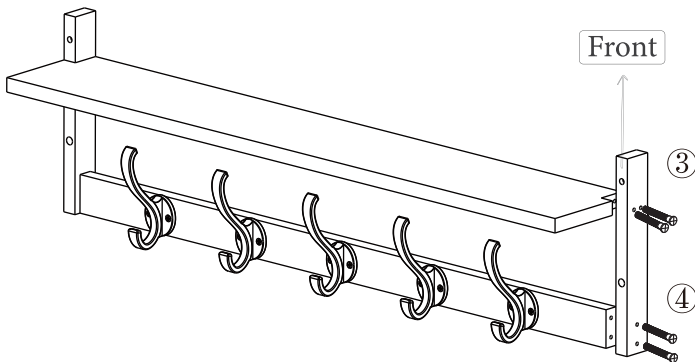
Step 3

Fix another side bar on the other side.

Note: Make the side with big holes face forward.

The sticker is intended solely for identifying the installation direction.

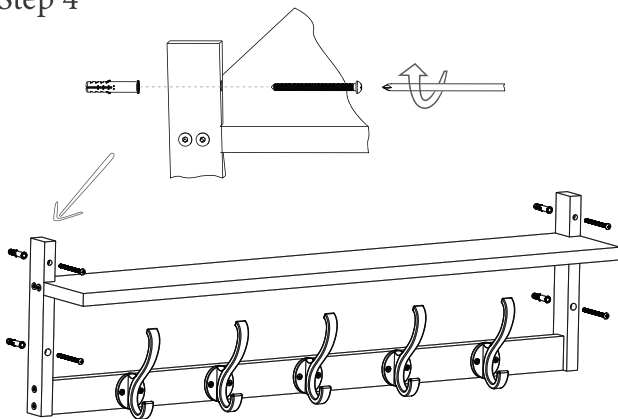
Please remove it once the direction has been confirmed.



After assembly, if you find that both ends do not lie flat against the wall, loosen the screws on both sides and then adjust the entire frame until it is level.

Installation Procedure

Step 4



Measure the distance between the holes.

Mark four holes in the wall and keep them horizontal.

Drill small guide holes with your handheld drill at the mark place.

Insert the Anchors into the wall with your hammer.

Attach the coat hooks to the wall using Screws as shown.

A drill with a diameter of 6mm(15/64 in).

The hole depth is 35mm (1 3/8in).