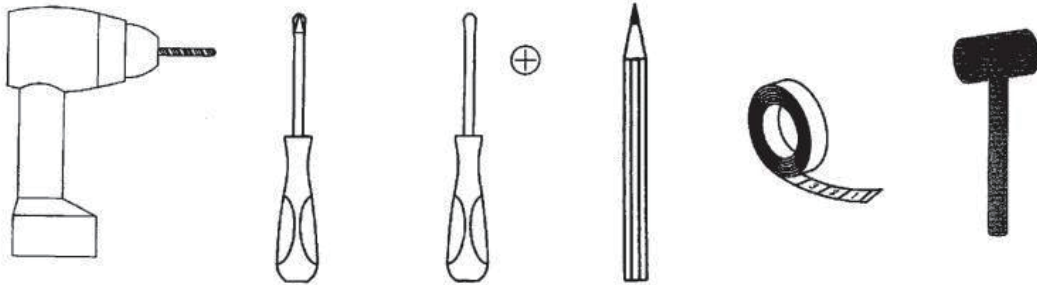




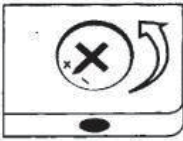
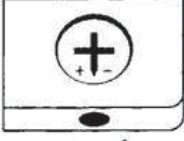
## **Instruction Manual**

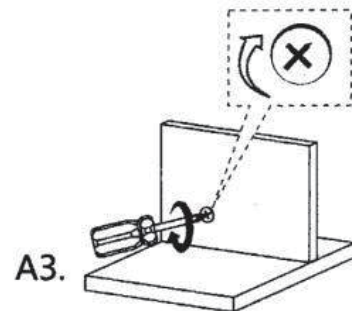
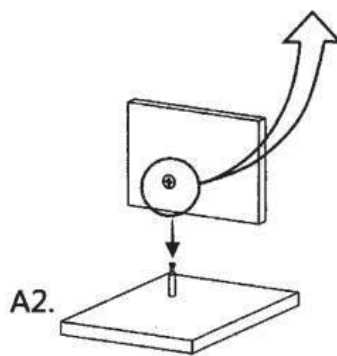
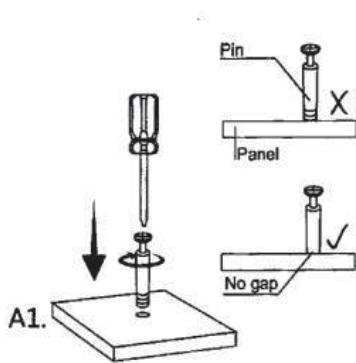
Thanks a lot your support and purchasing.

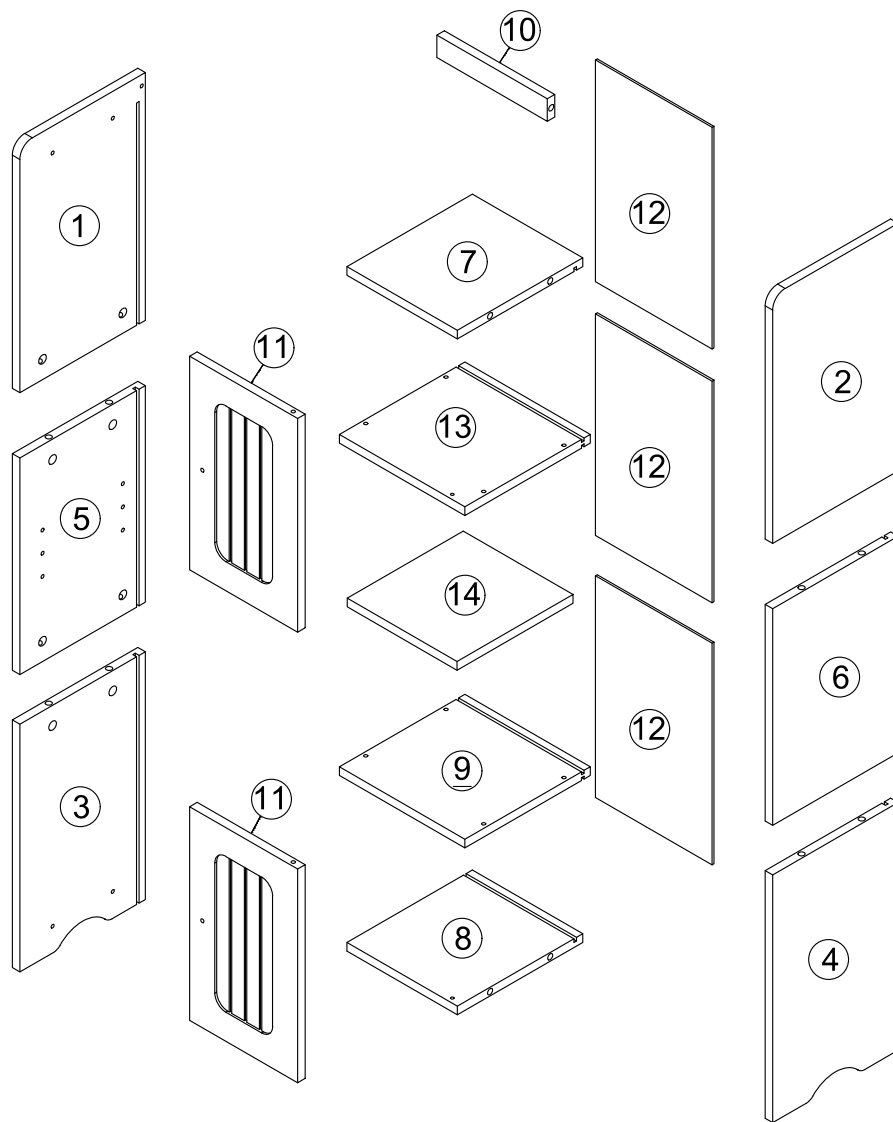
Please feel free to contact us if you have any questions with assembly or need replacement parts.

## Tools Required:

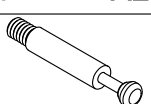
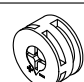





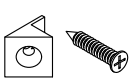

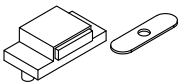
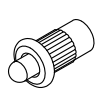
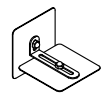


 <p>Bolt      Bolzen Boulon    Bullone Perno</p>  <p>Connecting piece Verbindungsbeschlag Pièce de raccord Pezzo di bloccaggio Pieza de sujeció n</p>	 <p>X</p> <p>Adjust connecting piece direction until it is properly lined up with the hole.</p> <p>Stellen Sie den Verbindungsbeschlag so ein, dass er wie im Bild gezeigt ausgerichtet ist</p> <p>Ajustez l' é crou selon le sch é ma</p> <p>Regolare la direzione di pezzo di collegamento come la condizione illustrata</p> <p>Ajustar la pieza de sujeció n seg ú n la direcci ó n ilustrada</p>	 <p>✓</p> <p>Insert bolt when connecting piece direction is properly lined up.</p> <p>Setzen Sie erst dann den Bolzen ein</p> <p>Ins é rez le boulon quand la pi è ce de raccord est dans telle condition</p> <p>Inserire il bullone quando il pezzo di collegamento è in tale condizione</p> <p>Insertar el perno cuando se encuentre as í la pieza de sujeció n</p>
--	--	---



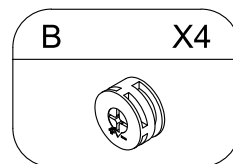
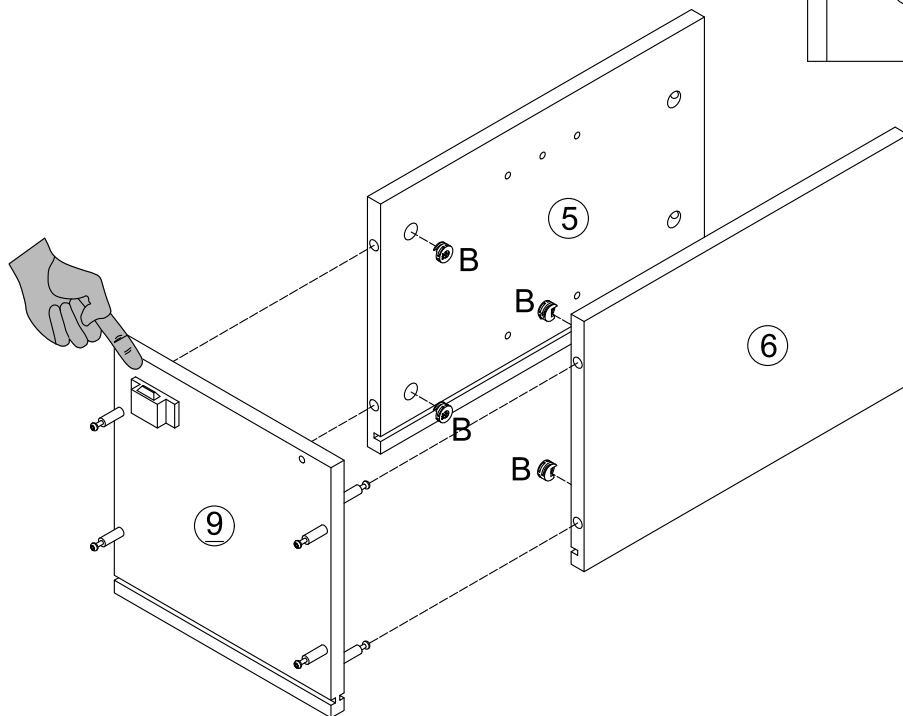
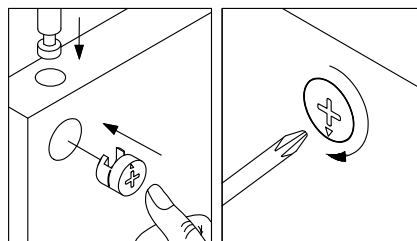


### HARDWARE LIST

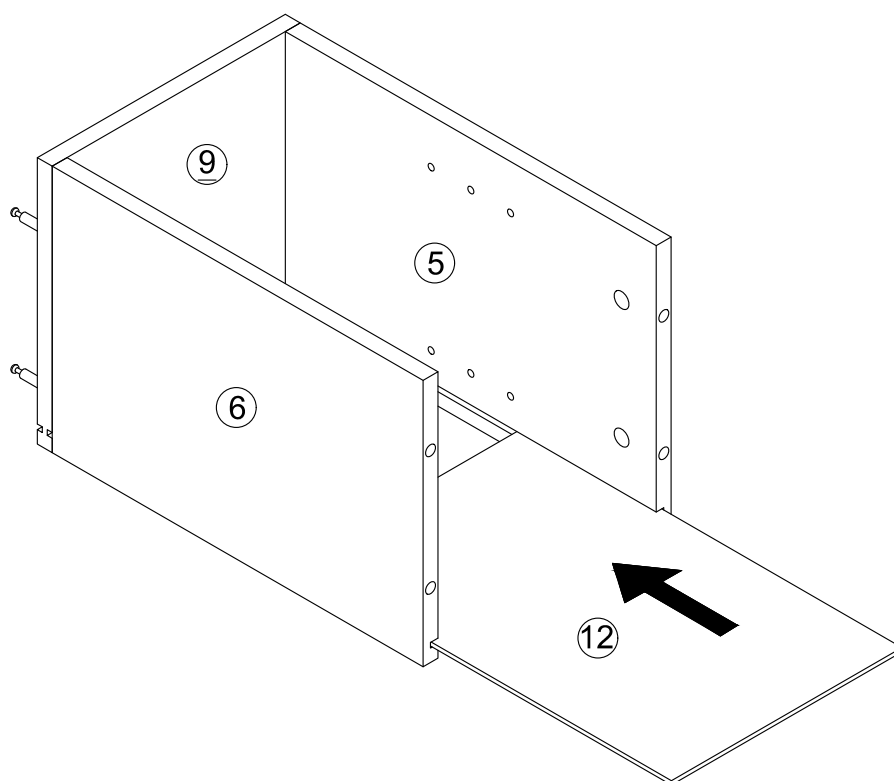
<p>A X26</p> 	<p>B X26</p> 	<p>C X6</p> 	<p>D X4</p> 	<p>E X2</p> 
<p>F X2</p> 	<p>G X26</p> 	<p>H=H1+H2 X12</p> 	<p>J X2</p> 	<p>K X2</p> 
<p>L X2</p> 	<p>M X2</p> 			



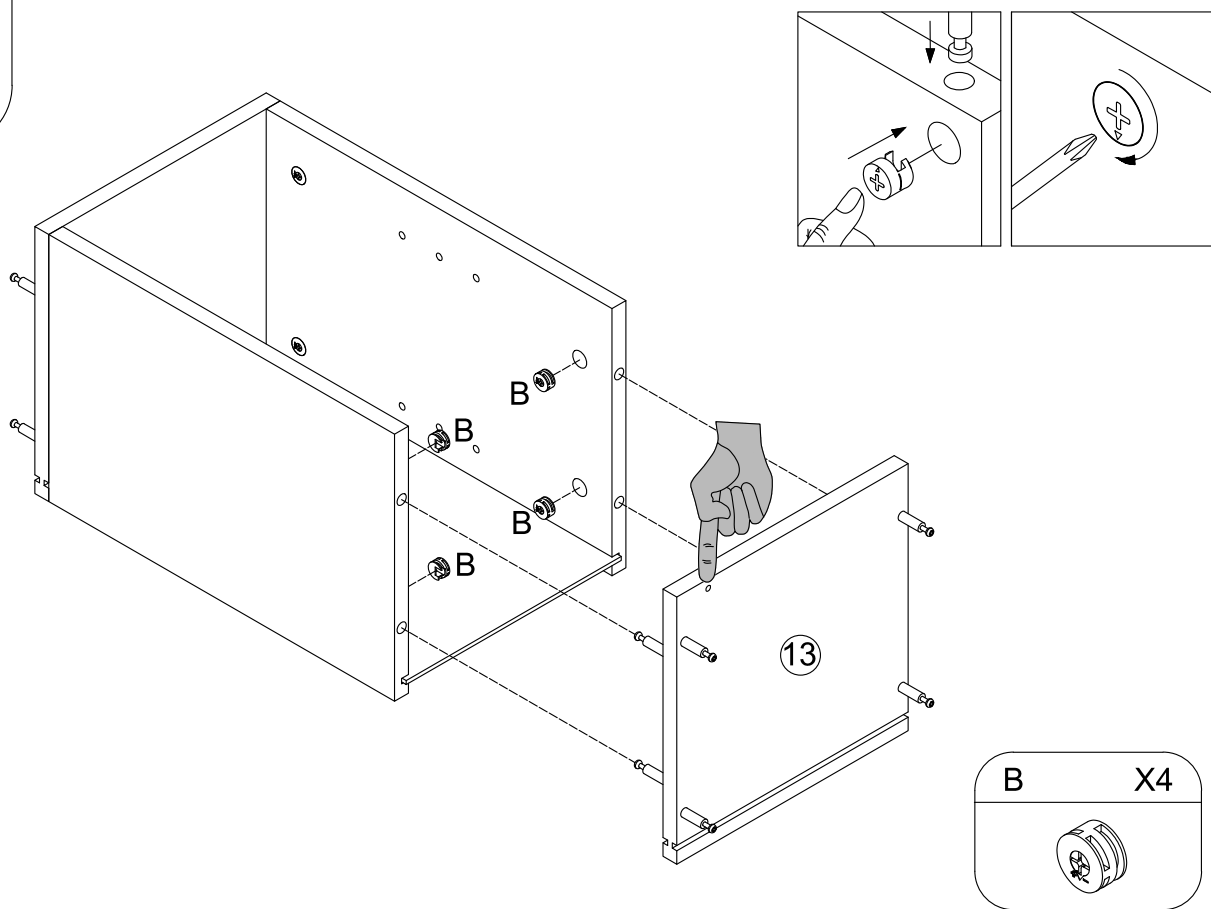
3



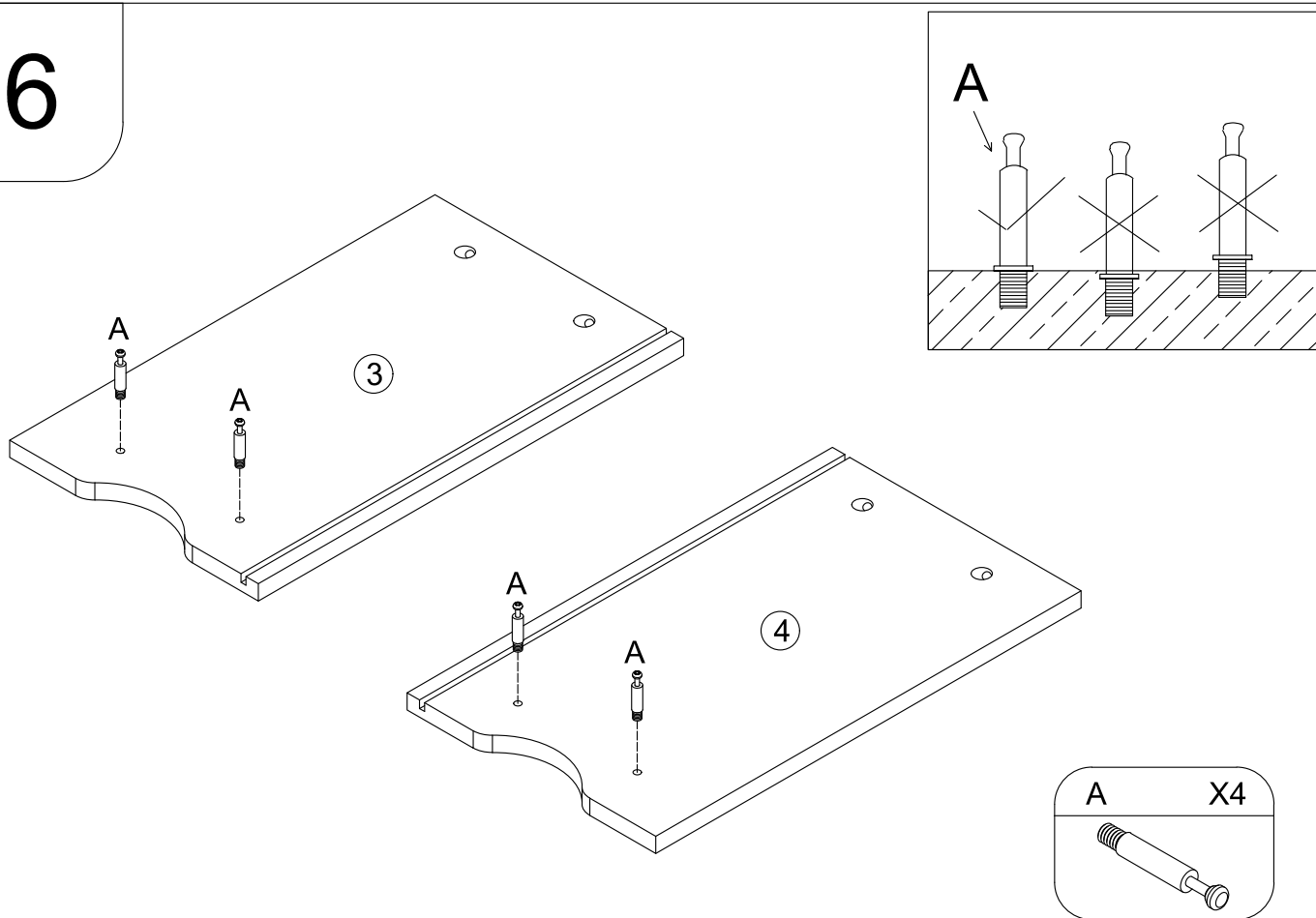
4



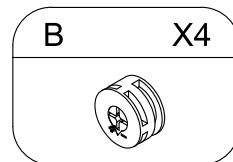
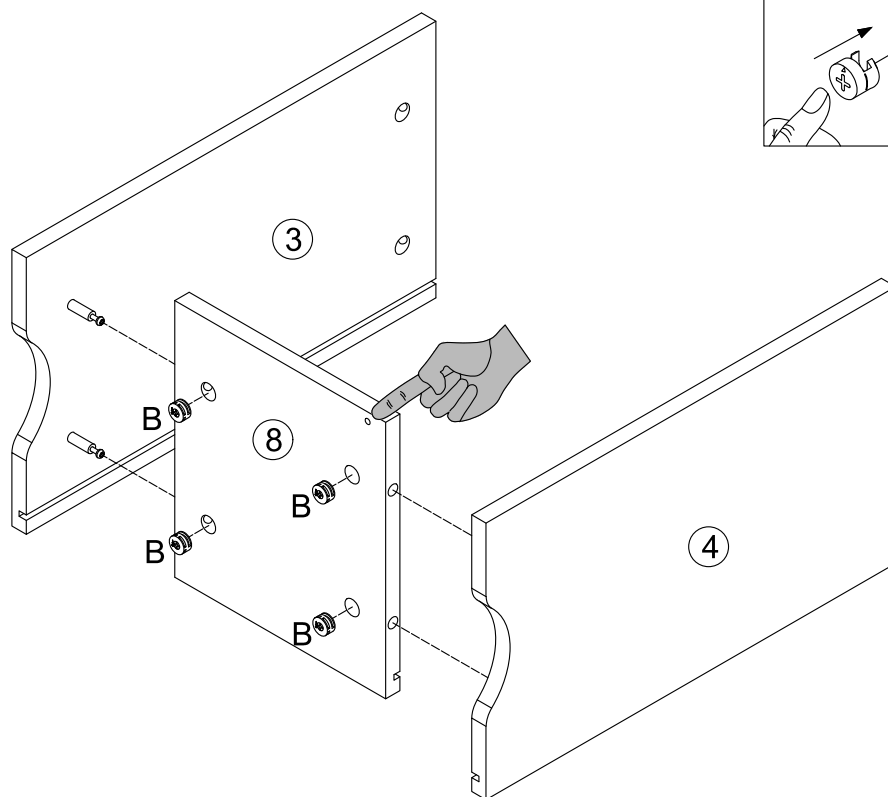
5



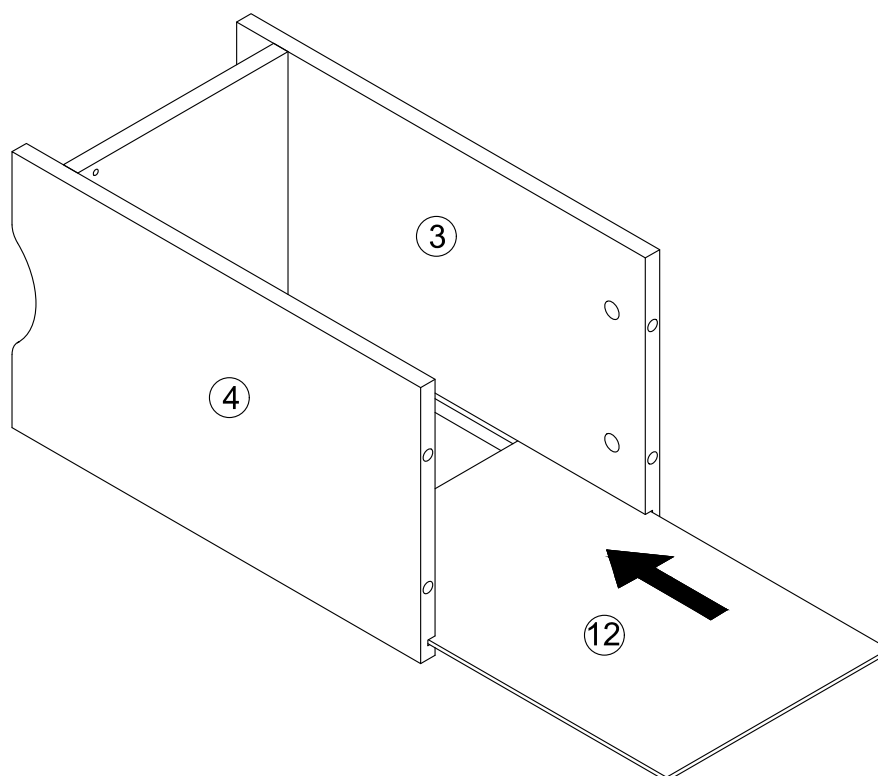
6



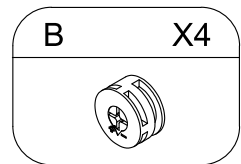
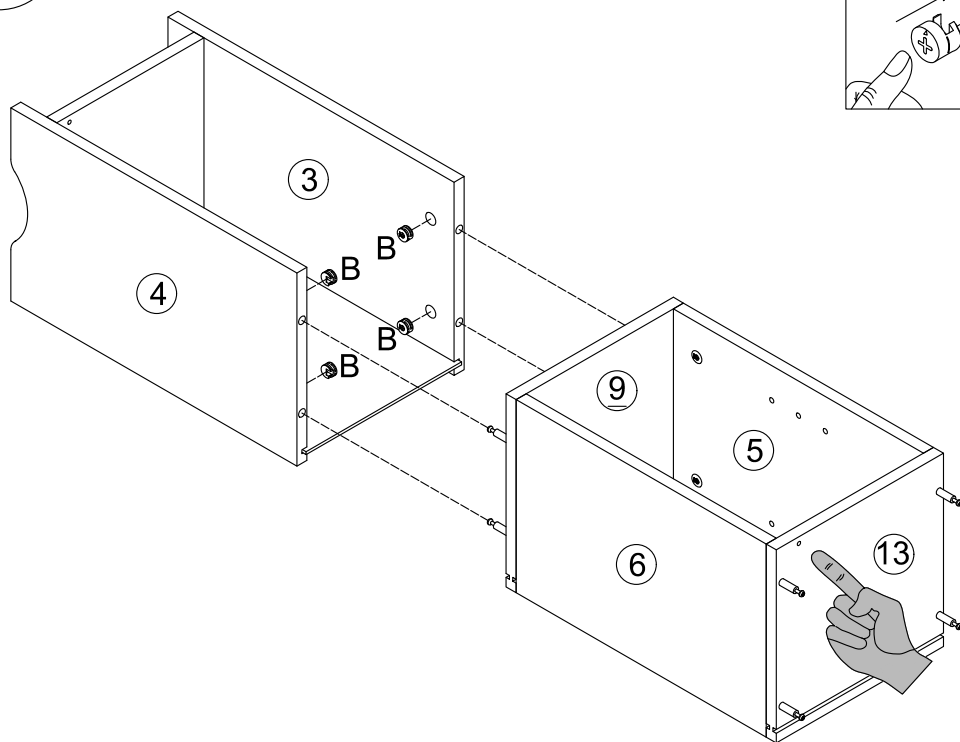
7



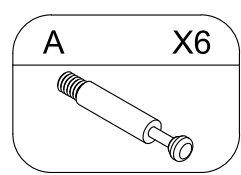
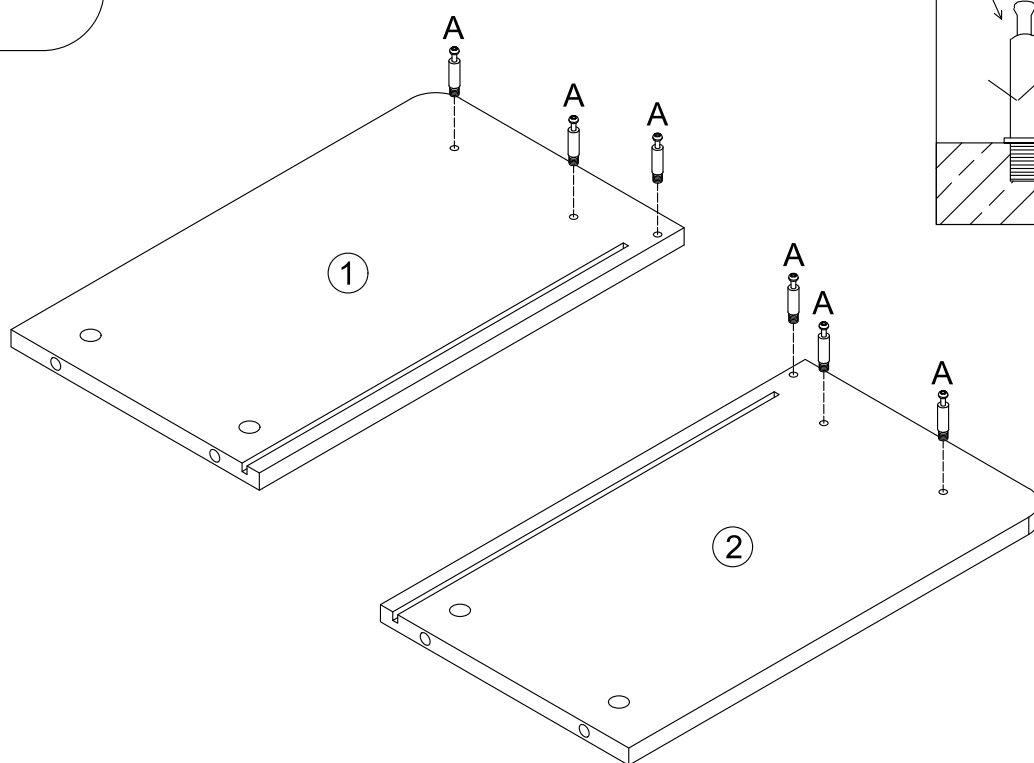
8



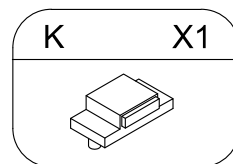
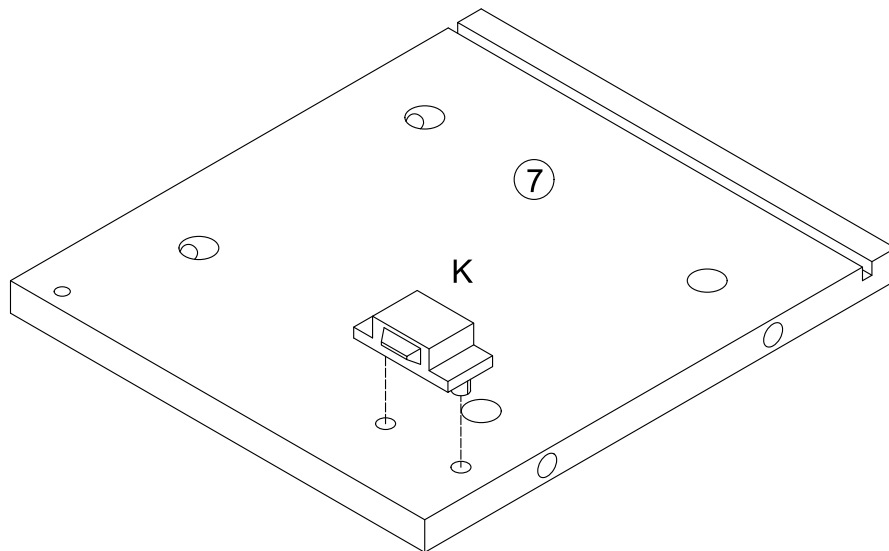
9



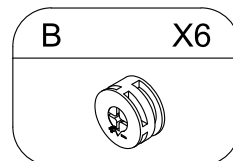
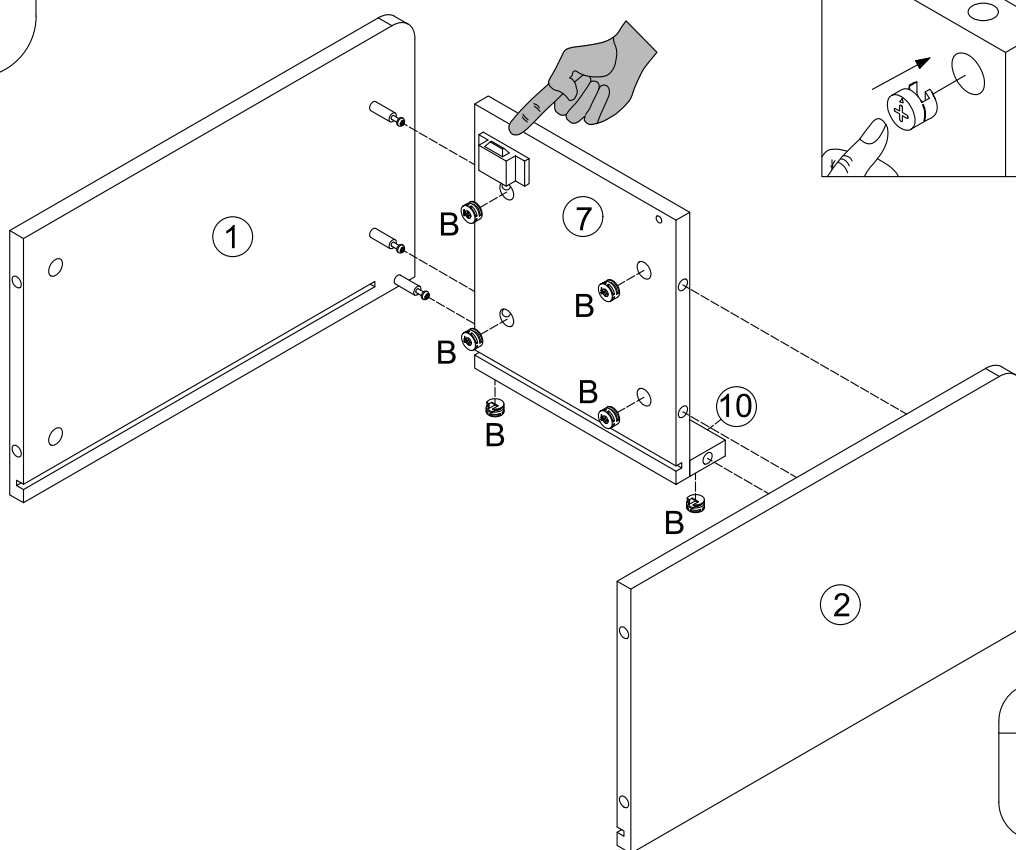
10



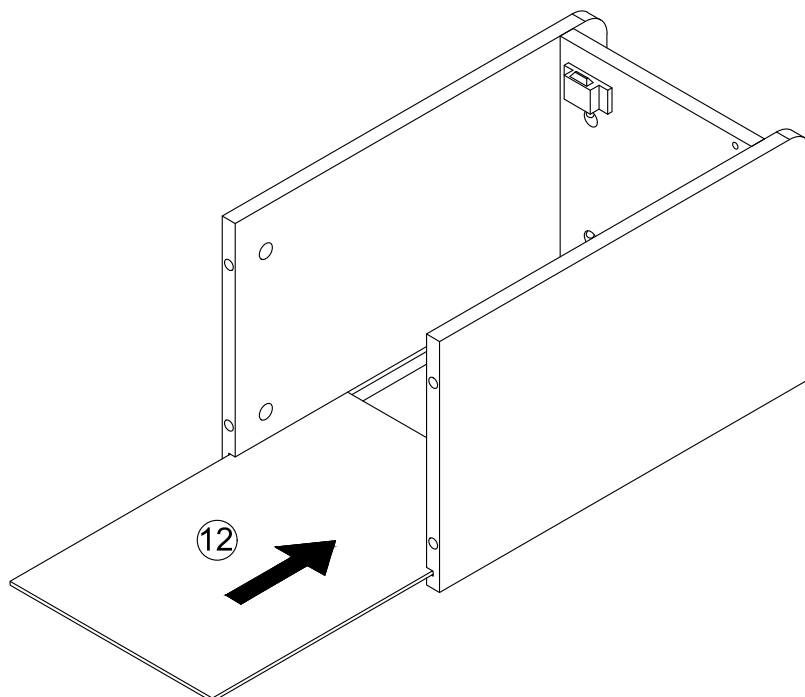
11



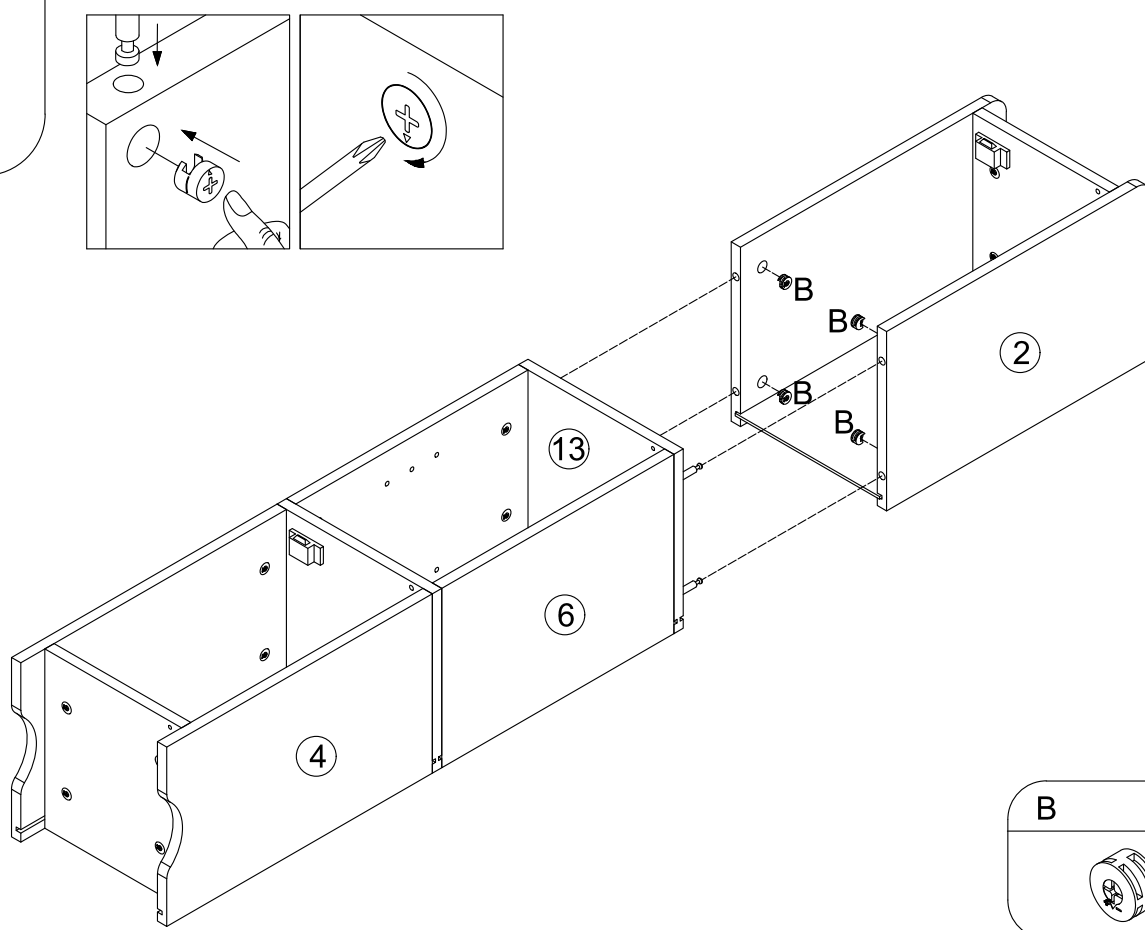
12



13

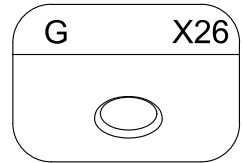
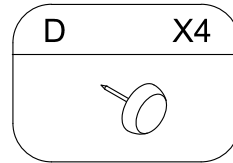
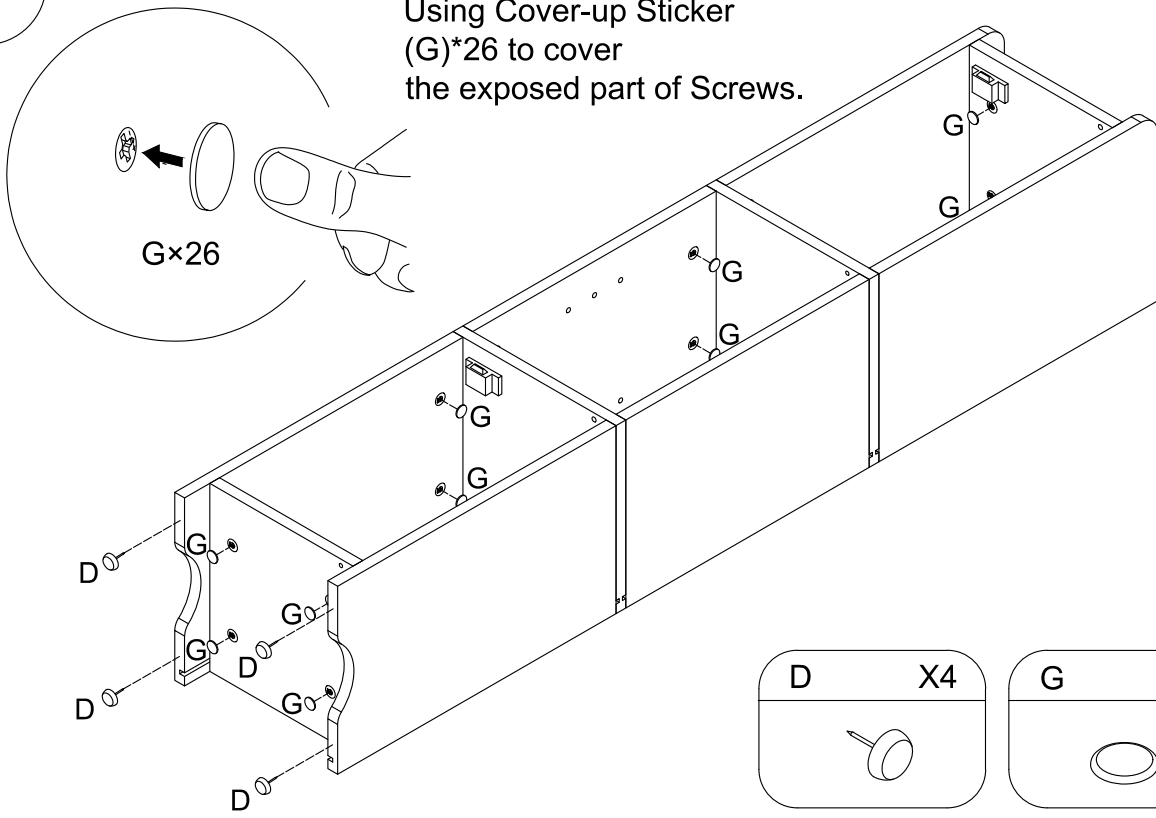


14

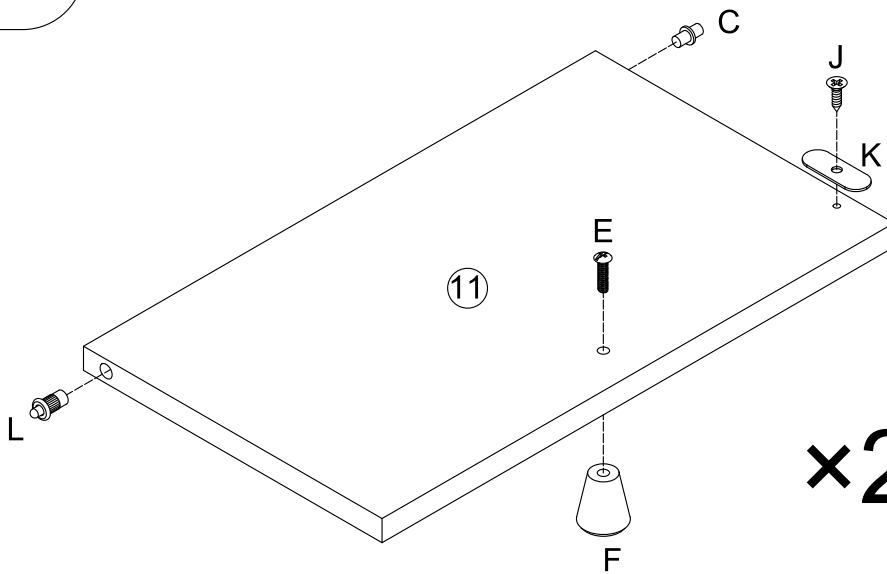


15

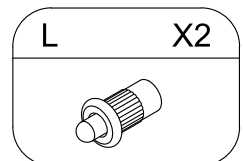
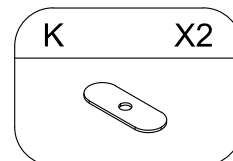
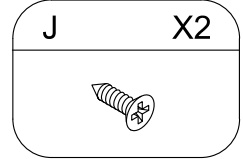
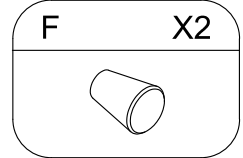
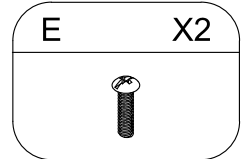
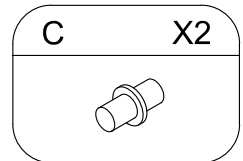
Using Cover-up Sticker (G)\*26 to cover the exposed part of Screws.



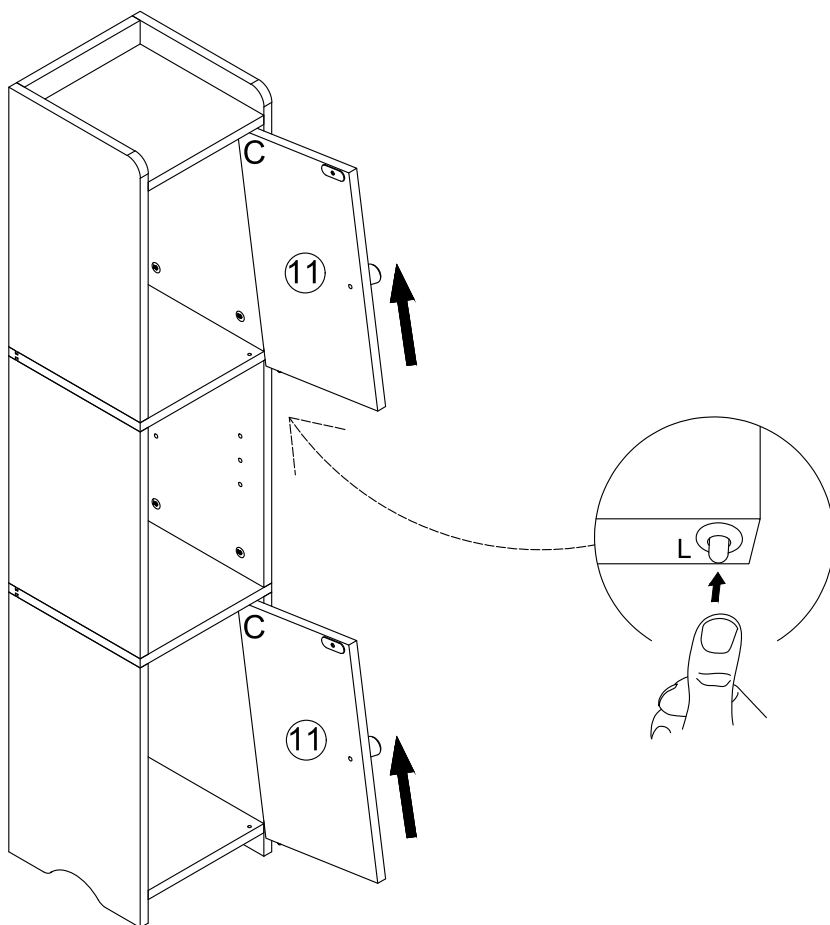
16



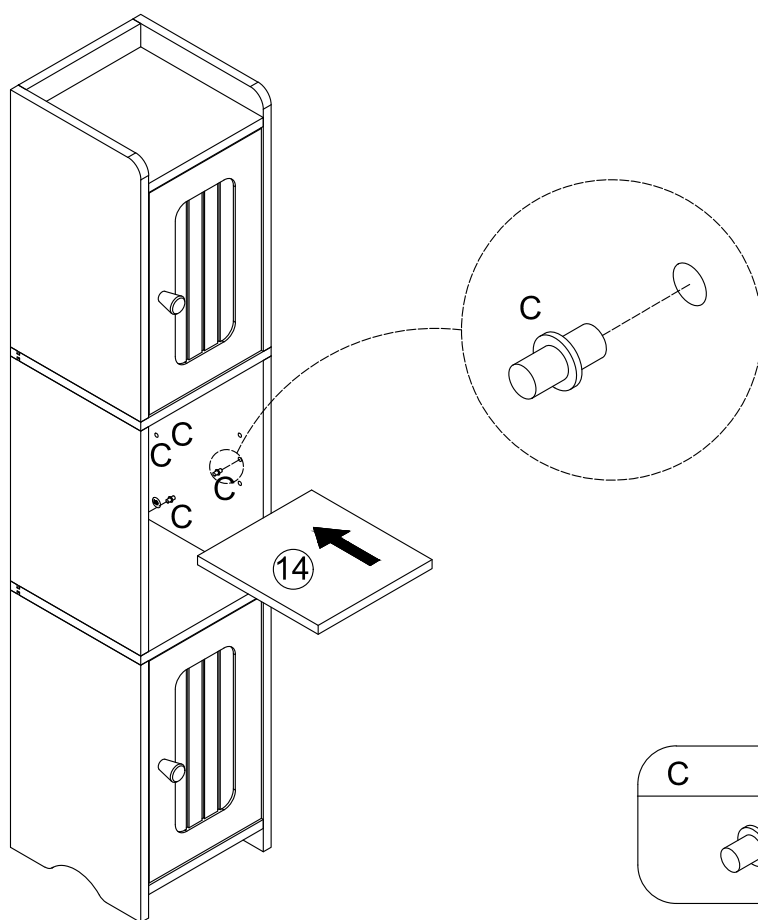
x2




17

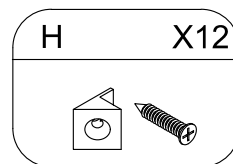
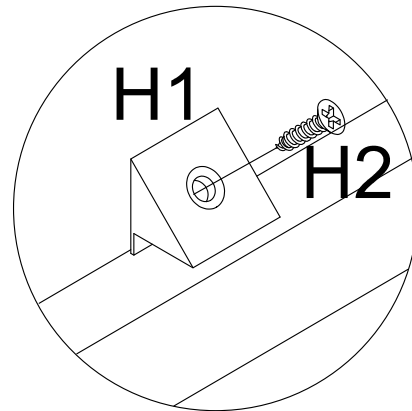
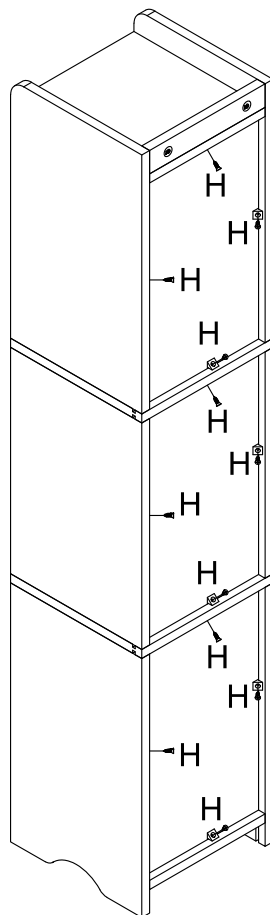


18

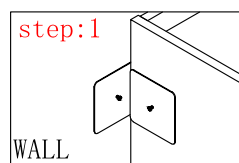
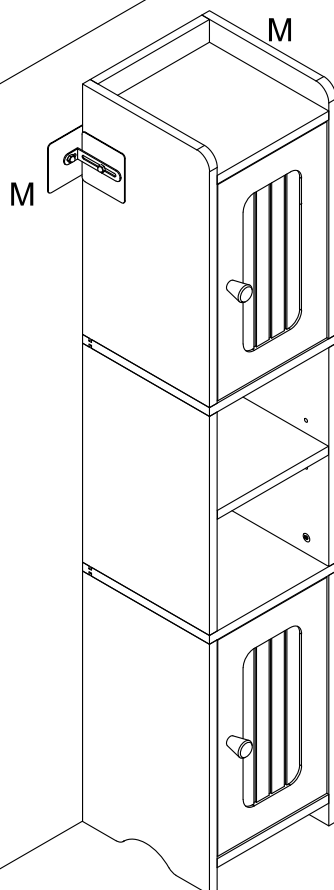


C	X4
	

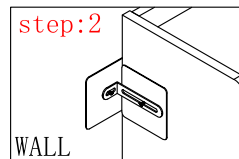
19



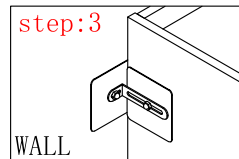
20



①. Align with the wall and cabinet and paste them



②. Install the metal connector onto the corresponding adhesive screw



③. Finally, tighten the screw cap

One accessory M on each side panel

