

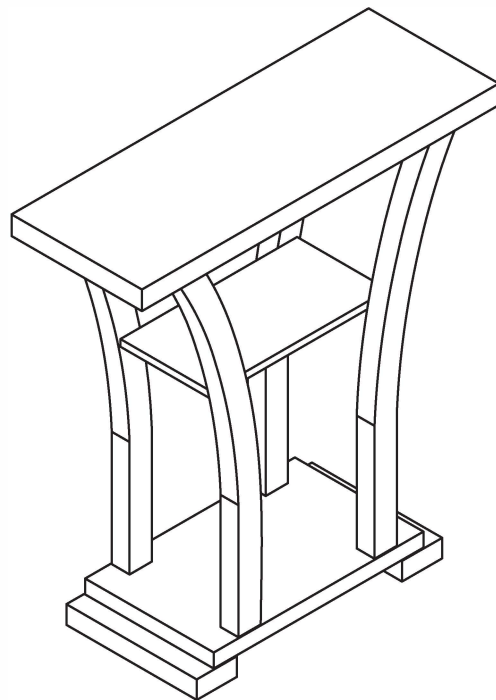
ASSEMBLY INSTRUCTION

PLEASE READ BEFORE ASSEMBLING!

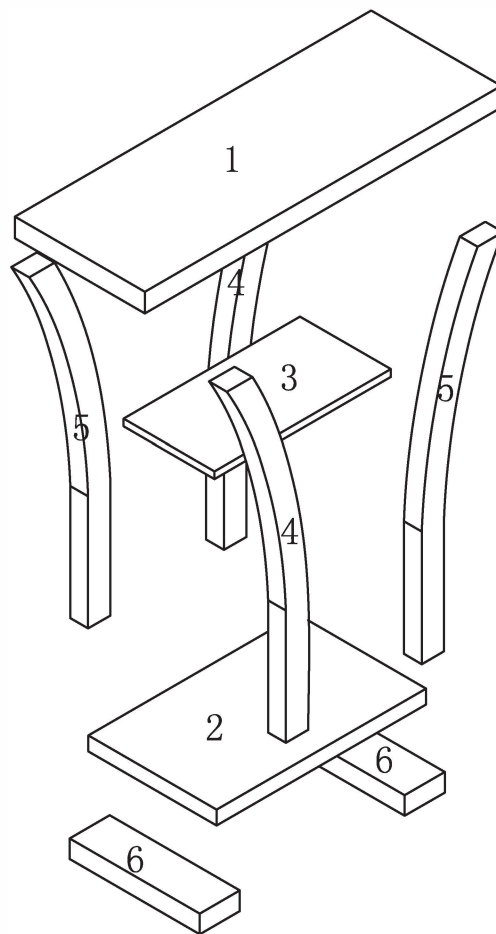
Tip #1: Make sure you've taken all the pieces and hardware out of its packaging before discarding the box.

Tip #2: Using page 2 and/or page 3 of instruction manual make sure all pieces and hardware are accounted for.

Tip #3: Read manual before assembling, it helps!














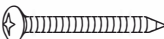







PARTS IDENTIFICATION

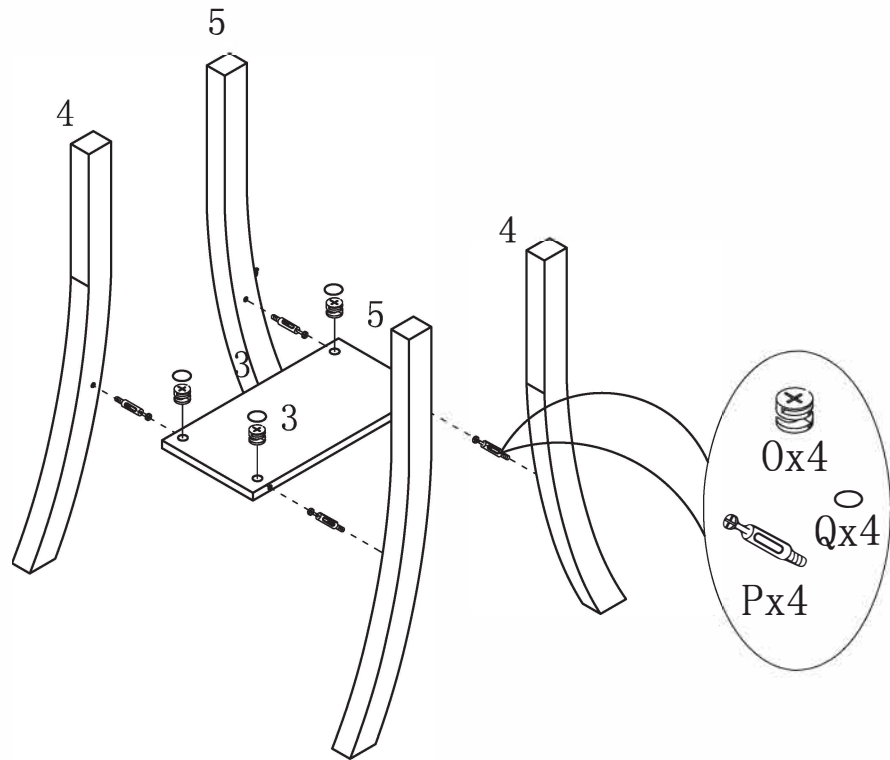


- | | |
|-----|------|
| (1) | 1pc |
| (2) | 1pc |
| (3) | 1pc |
| (4) | 2pcs |
| (5) | 2pcs |
| (6) | 2pcs |

HARDWARE IDENTIFICATION

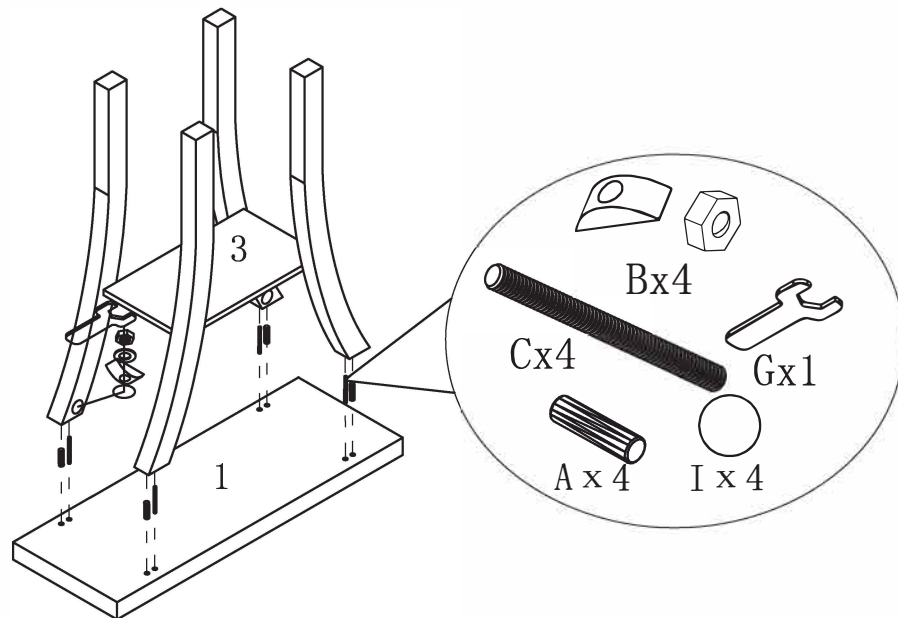
A		$\Phi 8 \times 25$	10pcs
B		$\Phi 8$	4pcs
C		M8x55	4pcs
D		$\Phi 6 \times 65$	4pcs
E		$\Phi 10 \times 15$	4pcs
F		M4	1pc
G		$\Phi 14$	1pc
H		M6x45	4pc
I		$\Phi 45$	4pcs
J		$\Phi 13$	4pcs
K		197×5×1	1pc
S		12×12×1	2pcs
L		$\Phi 4 \times 25$	1pc
M		$\Phi 5 \times 40$	1pc
N		$\Phi 8 \times 40$	1pc
O		ET15	4pcs
P		L29	4pcs
Q		$\Phi 20$	4pcs
R		Glue: For securing please apply to wood dowel first before inserting into panel	1pc

ASSEMBLY INSTRUCTION

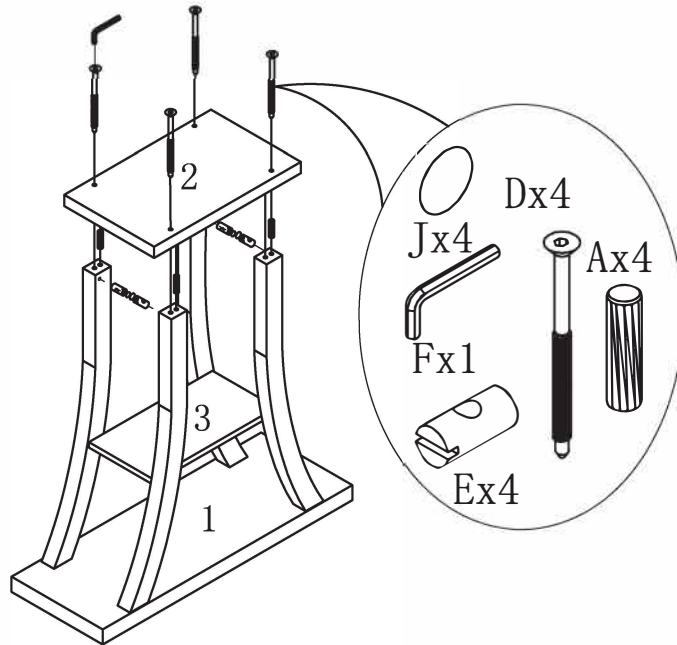


STEP 1

STEP 2

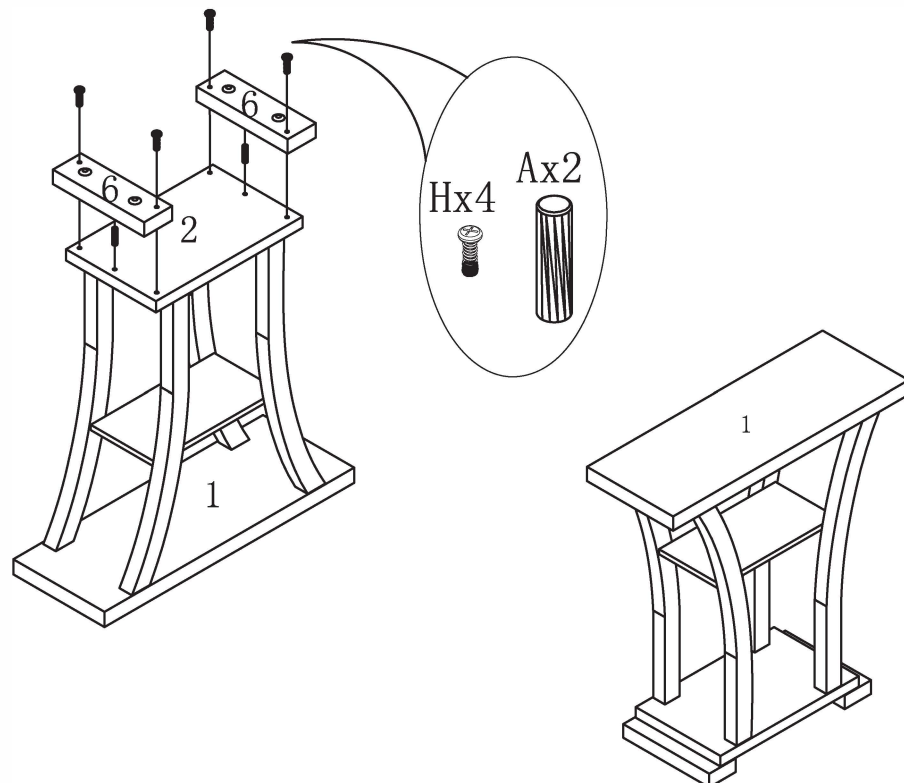


ASSEMBLY INSTRUCTION



STEP3

STEP4



ANTI-TIPPING STRAP INSTRUCTION

HARDWARE (INCLUDED) :

 DRYWALL ANCHOR $\phi 8 \times 40$ X 1PC

 METAL BRACKETS $12 \times 12 \times 1$ X 2PCS

 DRYWALL SCREW $\phi 5 \times 40$ X 1PC

 STRAP $197 \times 5 \times 1$ X 1PC

 FLATHEAD SCREW $\phi 4 \times 25$ X 1PC

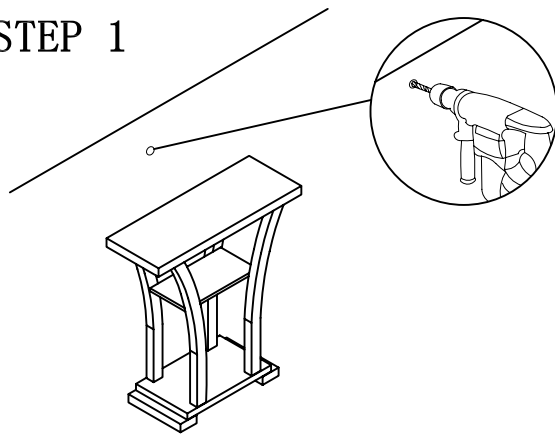
TOOLS NEEDED (NOT INCLUDED

 DRILL & DRILL BIT

 LIGHT HAMMER

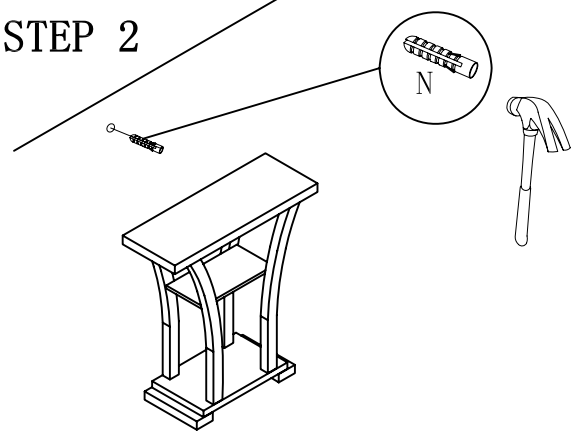
Note: Hardware included only compatible with standard drywalls.

STEP 1



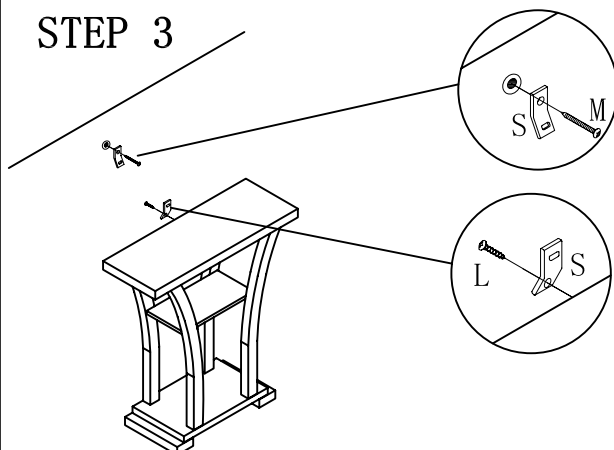
To drill a hole (about 1") on the wall.

STEP 2



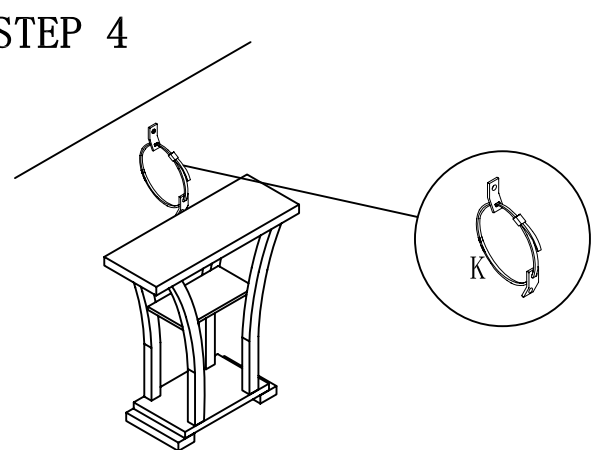
To tap drywall anchor into the hole.

STEP 3



To insert the screw into each bracket and hang one on drywall anchor.

STEP 4



To tie the strap through bracket and pull it lightly till it steady.