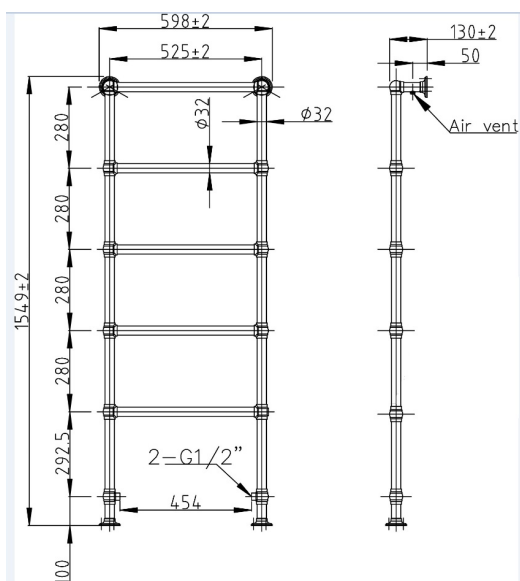


# CUSTOMER DATA SHEET - HEATING

**DESCRIPTION:** F/S Towel Rail 1550X600 X130



### PRODUCT DIMENSIONS

Height (mm)	Width (mm)	Depth (mm)	Length (mm)	Nett Wgt Kg
1549	598	130		11.2

### PACKAGING DIMENSIONS

Height (mm)	Width (mm)	Length (mm)	Gross Wgt Kg
150	620	1570	11.2

### PACKAGING DATA

Box Colour	White Cardboard Shrinkwrapped		
Box Qty	1	Label Colour	White Label
Label Size	100 x 50	Label Qty	2

### OUTER BOX DIMENSIONS (If Applicable)

Height (mm)	Width (mm)	Length (mm)	Gross Wgt Kg

### PRODUCT DETAILS

Contry of Origin	China
Fitting Instruction	Yes
RAL No	N/A
Heat Element Wattage	N/A
BTU @ 50 Degrees	918
Thermal Output @ 50 Degrees	
Pipe Centres	435mm
Volume	142
Wall to Ctr of Tappings	114
Duel Fuel	N/A

Certification	CE	Yes	RoHS	N/A	WEEE	N/A
Colour/Finish	Chrome					
Product Material	Steel					
Heat Element Wattage Compatible	N/A					
BTU @ 60 Degrees	1166					
Thermal Output @ 60 Degrees	342W					
Max Projection						
Tube Diameter	32mm					
Floor to Ctr of Tappings	100					