

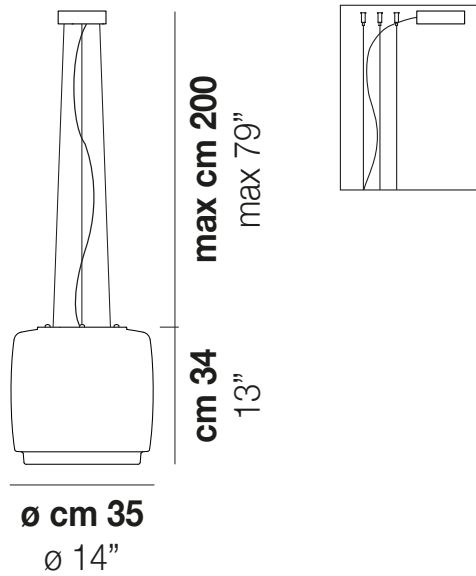
## BOT

Design Gregorio Spini

## BOT SP 35

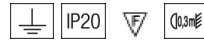


A collection that represents the idea of a volume in motion that generates a new one. The concept is also a reminiscence of the process of glass blowing in which the incandescent glass contains the light before it even has a definitive shape.



## BOT SP 35

### TECHNICAL DATA:



### CERTIFICATIONS:



### LIGHT SOURCES

| LED            | 3x60W  | 120V/60HZ | E26   |
|----------------|--------|-----------|---|
| LED 2700K DIM2 | 1x19 W | 39 V      | Led 2700 K 19 W 39 V 2850 lm DIM2 Phase Cut   |
| LED 2700K DIM3 | 1x19 W | 39 V      | Led 2700 K 19 W 39 V 2850 lm DIM3 0-10V, Push |
| LED 3000K DIM2 | 1x19 W | 39 V      | Led 3000 K 19 W 39 V 2850 lm DIM2 Phase Cut   |
| LED 3000K DIM3 | 1x19 W | 39 V      | Led 3000 K 19 W 39 V 2850 lm DIM3 0-10V, Push |

|              |         |
|--------------|---------|
| VOLUME       | Mc 0,19 |
| GROSS WEIGHT | Kg 0    |
| NET WEIGHT   | Kg 0    |

download



### SHADE FINISHING



BCCR

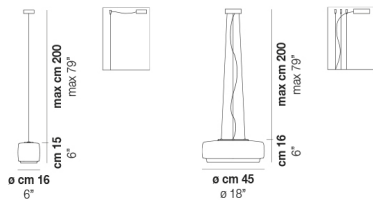
### FRAME FINISHING



BC

### OTHER VERSION AVAILABLE

Click on the version to go to the web version of the product



BOT SP 16

BOT SP 45