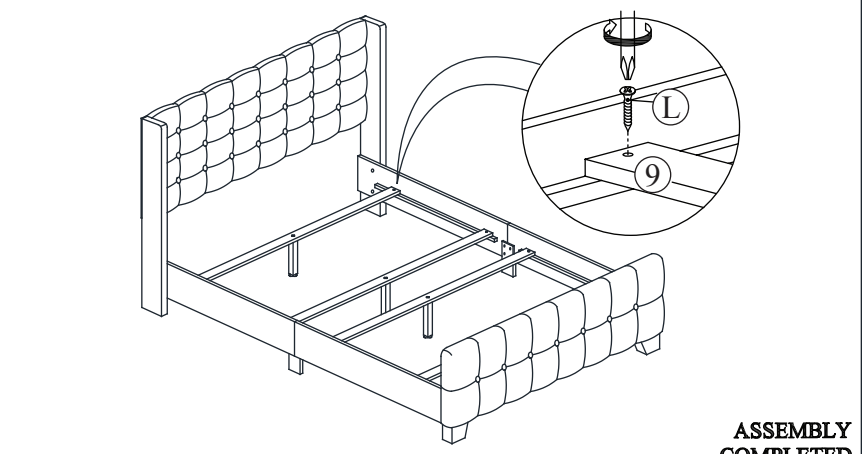
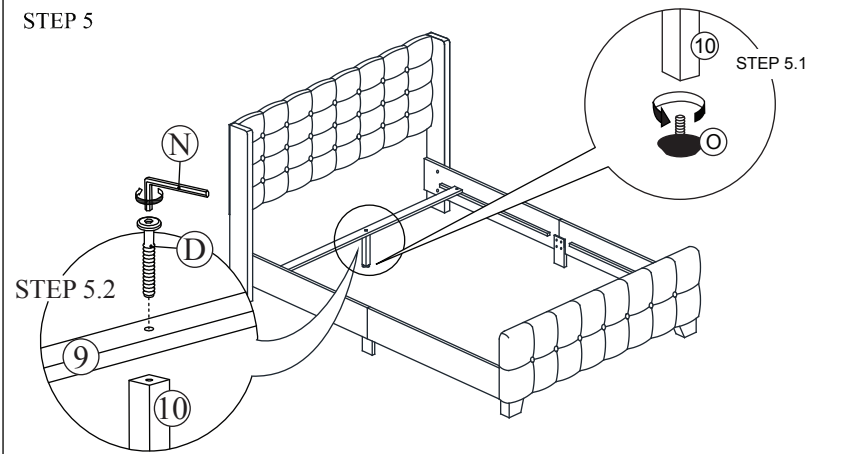
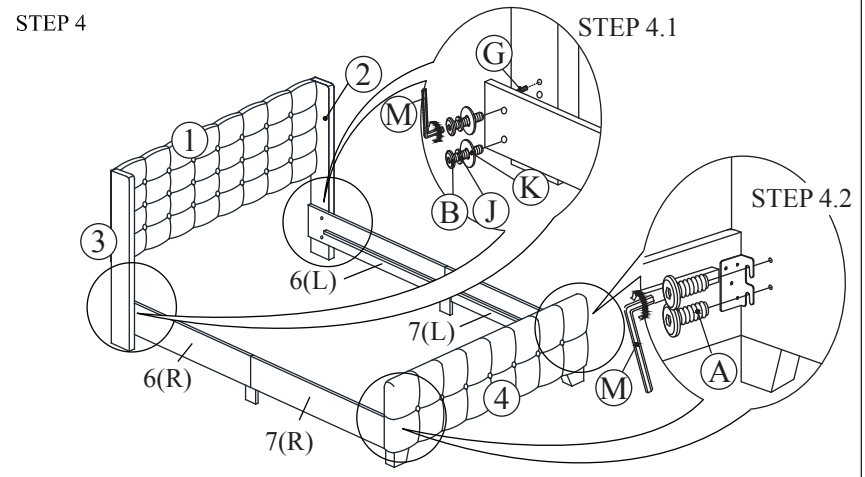
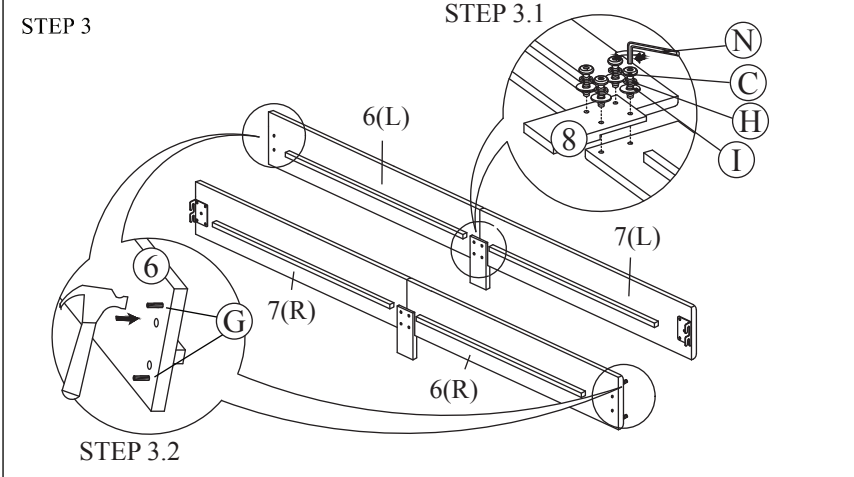
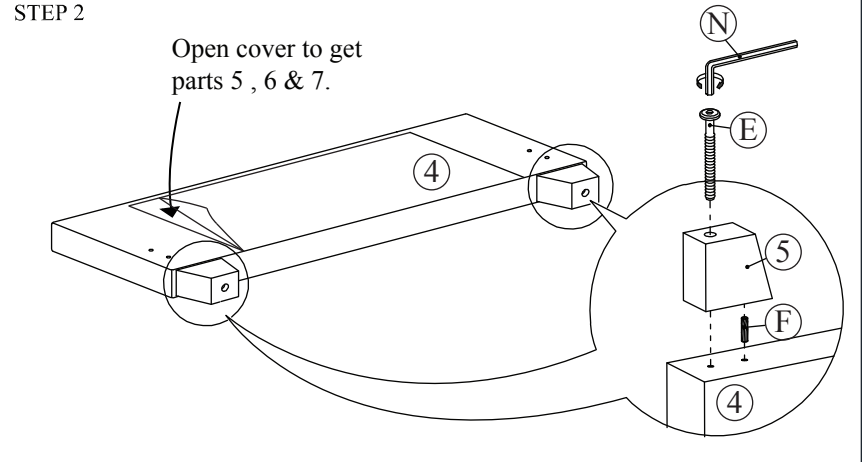
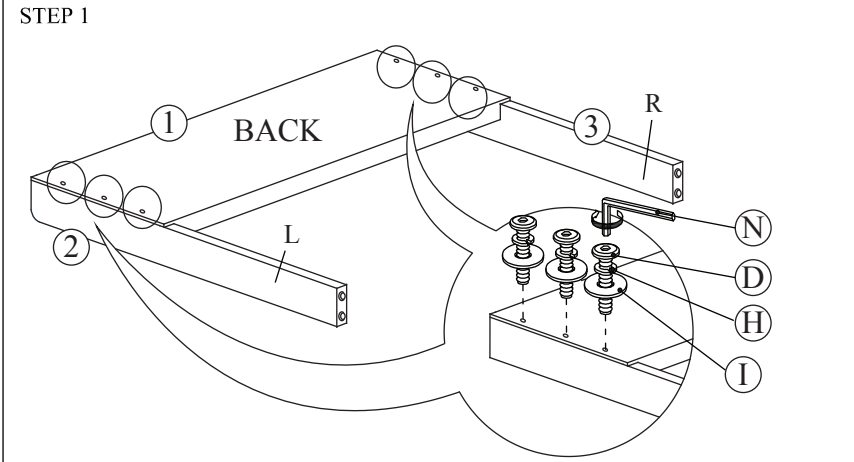


ASSEMBLY INSTRUCTION

| NO | PARTLIST | QTY |
|----|-----------------------|------|
| 1 | HEADBOARD CUSHION | 1PC |
| 2 | LEFT WING | 1PC |
| 3 | RIGHT WING | 1PC |
| 4 | FOOTBOARD CUSHION | 1PC |
| 5 | FOOTBOARD LEG | 2PCS |
| 6 | SIDE RAIL (L/R) | 2PCS |
| 7 | SIDE RAIL (L/R) | 2PCS |
| 8 | SIDE RAIL SUPPORT LEG | 2PCS |
| 9 | SLAT | 4PCS |
| 10 | SUPPORT LEG | 4PCS |

| ITEM | HARDWARE | QTY |
|------|-----------------------------|-------|
| A | JCBB SCREW M8 x 20MM | 4PCS |
| B | JCBC SCREW M8 x 50MM | 4PCS |
| C | JCBC SCREW M6 x 25MM | 8PCS |
| D | JCBC SCREW M6 x 35MM | 10PCS |
| E | JCBC SCREW M6 x 70MM | 2PCS |
| F | WOOD DOWEL M8 x 30MM | 2PCS |
| G | WOOD DOWEL M10 x 30MM | 4PCS |
| H | SPRING WASHER M6 x 13MM | 14PCS |
| I | FLAT WASHER M6 x 19MM | 14PCS |
| J | SPRING WAHSER M8 x 14MM | 4PCS |
| K | FLAT WASHER M8 x 22MM | 4PCS |
| L | SCREW M4 x 32MM | 8PCS |
| M | L-KEY M5 x 65MM | 1PC |
| N | L-KEY M4 x 100MM | 1PC |
| O | SUPPORT LEG ADJUSTABLE FEET | 4PCS |



ASSEMBLY COMPLETED