

(Table lamp)

Patterned Ceramic Floor Lamp

■ Specification

Voltage: 110-130V

Wattage: 60 Watt Max

Material: Metal+Ceramics

Lamp holder: E26

Wire Length: 59in/1500mm

Usage: Indoor use only

■ Package Include

2 x Lampshade

2 x Lamp Base

1 x User Manual

2 x Finial

2 x Harp

■ Easy Installation

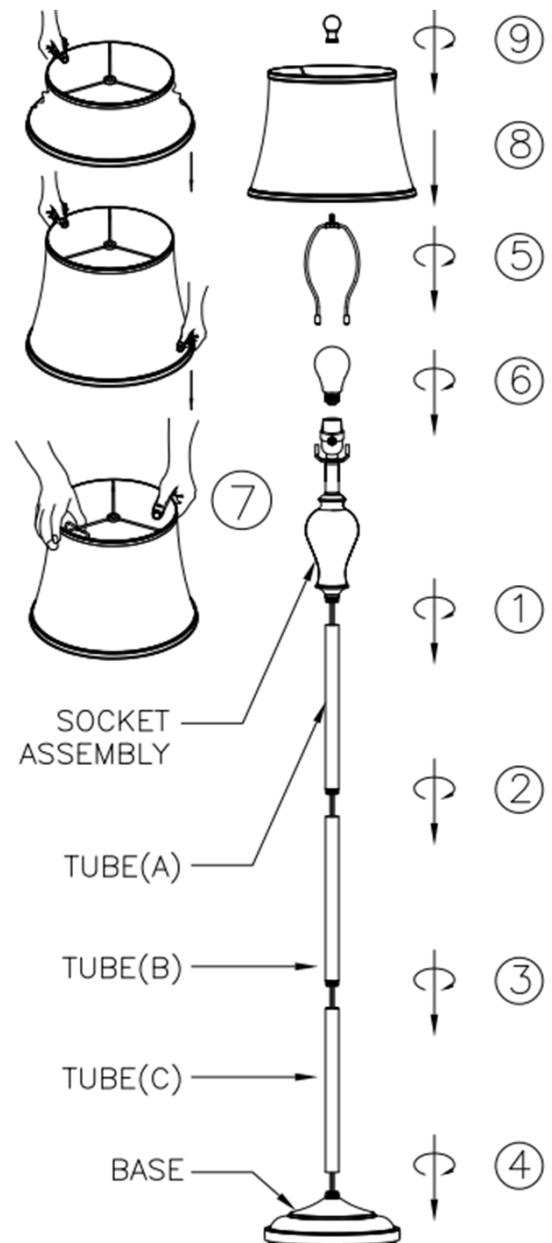
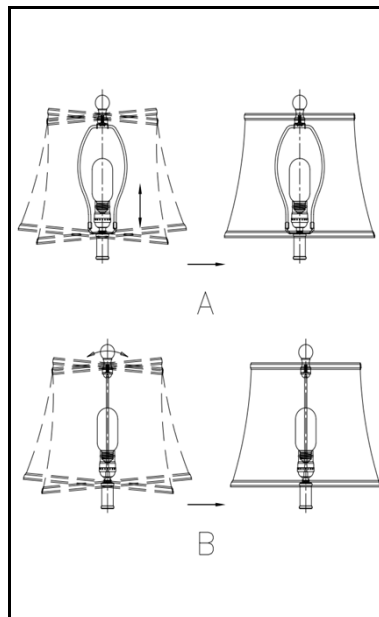
1. Fasten Socket Assembly into Tube(A) be careful not to twist power cord.
2. Fasten Tube(A) into Tube(B) be careful not to twist power cord.
3. Fasten Tube(B) into Tube(C) be careful not to twist power cord.
4. Fasten Tube(C) onto Base be careful not to twist power cord.
5. Attach two legs of the lamp harp to the saddle.
6. Install the bulb.
7. Pull the three support brackets on the lower ring to the upper ring.
8. Fix the lampshade on the lamp harp.
9. Screw the finial to secure the lampshade. (When the lampshade is tilted, refer to the lampshade adjustment instructions below.)

■ Adjust the angle of the lampshade

A. Adjust the angle in the forward direction

B. Adjust the angle from the side

Refer to Figure A&B



■ Attention

1. If you want to change the 2700K vintage Led bulb included, incandescent light bulbs less than 60W are greatly recommended. Not all Led bulbs are fully compatible with the dimmer system of the lamp, so it may cause to flicker or lose dimming function with other Led bulbs.
2. The bulb will increase the brightness when it is reaching its lifespan or has partial short-circuit. At that moment, please switch off, change a bulb and use it as you would normally.
3. Please shut off the power and unplug it before you screw in a new bulb.
4. Don't put the lamp in overheating working condition or cast it into fire.