






# MAINTENANCE AND WARNINGS



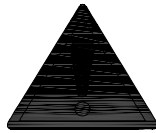
## Before You Start

### *Please follow the steps below:*

-  Check the packaging for any damage, deformation, or water stains. If there is significant damage, please contact us promptly.
-  Unpack the box and compare the contents with the parts list and hardware list to ensure all components and accessories are present and complete.
-  Please read the installation instructions carefully to understand the installation steps and precautions to ensure proper installation.
-  Clean the installation area in advance and ensure the ground is level and there is enough space to avoid damaging the furniture or making installation difficult.
-  Lay a protective mat on the ground to prevent scratching the floor during installation.

### ***After-Sales Service***

- If you encounter any issues or need technical support during use, please contact our after-sales team. We offer long-term maintenance and warranty services.



## Precautions

- ⚠ This product is for indoor use only. Do not expose it to outdoor elements or high-humidity environments.
- ⚠ Keep the product away from high heat or open flames to prevent fire hazards.
- ⚠ Do not allow children to climb on the product, as this may cause tipping and result in personal injury.

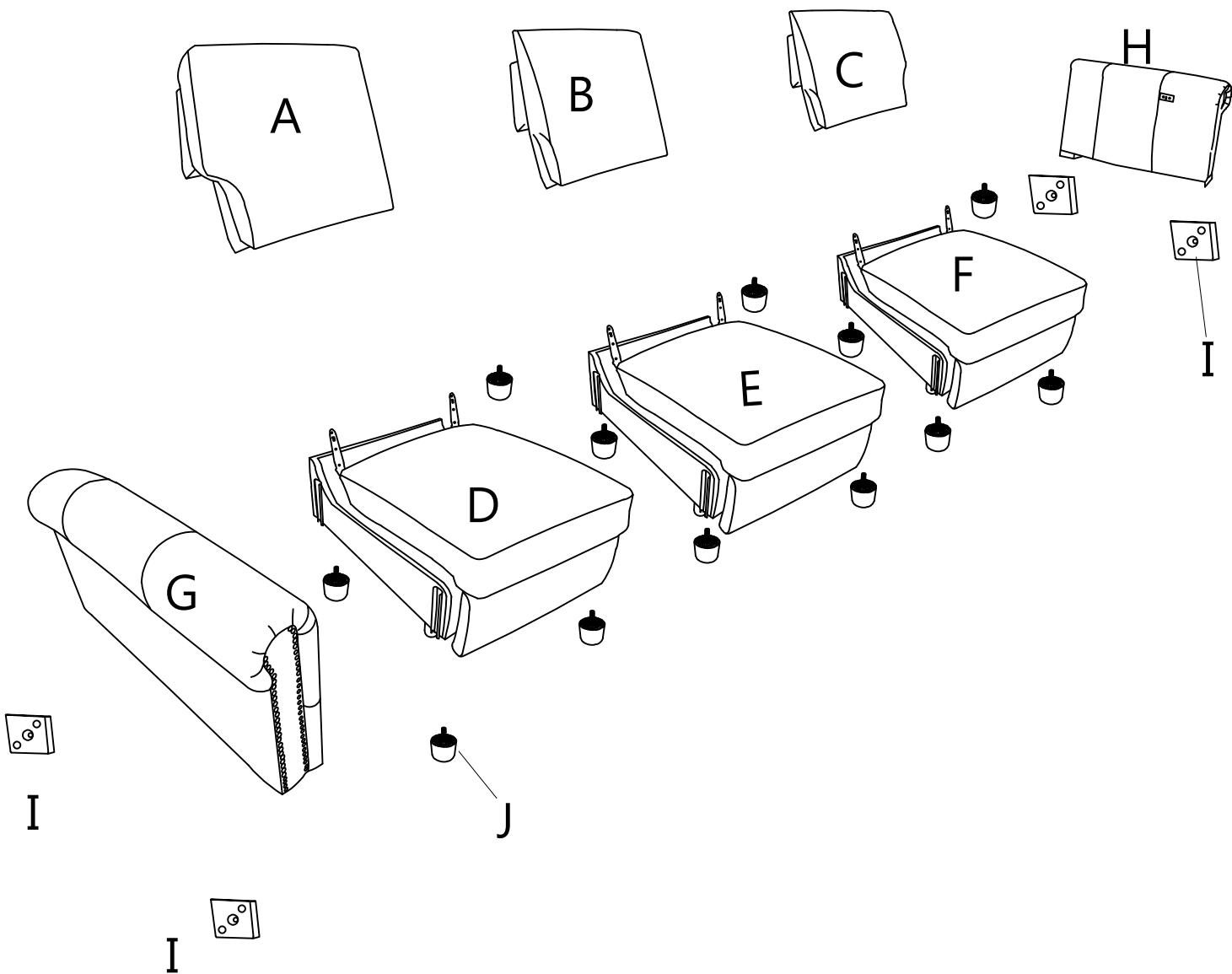


## Safety Warnings

- ⚠ If you notice any loose or damaged parts, stop using the product immediately and contact customer service.
- ⚠ Do not attempt to disassemble or replace any components yourself, as this may affect the stability and safety of the product.

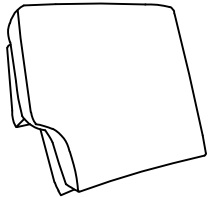
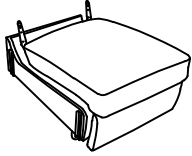
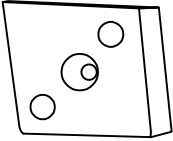

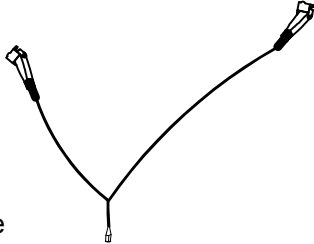
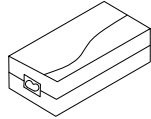
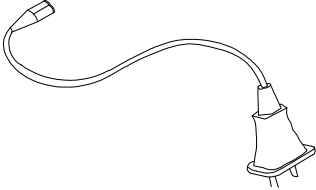

### ***Daily Maintenance***

- Regularly clean the surface with a soft cloth to prevent dust accumulation.
- Do not use cleaning agents containing acids, alkalis, or corrosive substances, as they may damage the surface. It is recommended to use neutral cleaning agents or specialized furniture cleaners.
- Avoid exposing furniture to humid environments for extended periods. Use a dehumidifier or desiccant during humid weather.
- Avoid direct contact of furniture with water. If water is accidentally spilled, wipe it dry immediately.
- Avoid placing excessively heavy objects on the furniture: ensure the weight is within a reasonable load-bearing range.
- Avoid using sharp or rough items on the furniture surface to prevent scratches. Handle items gently when moving them.

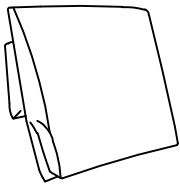
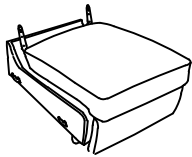


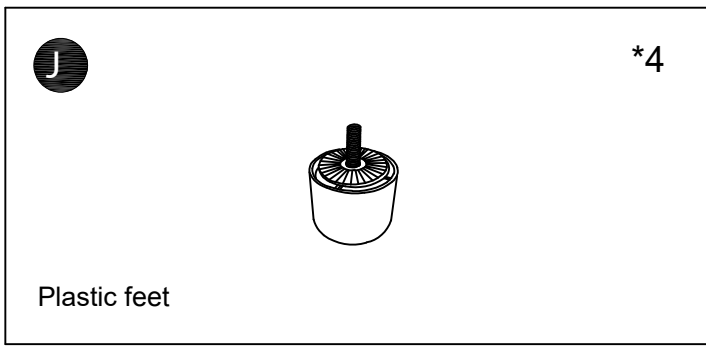
# Parts list

## In Box A

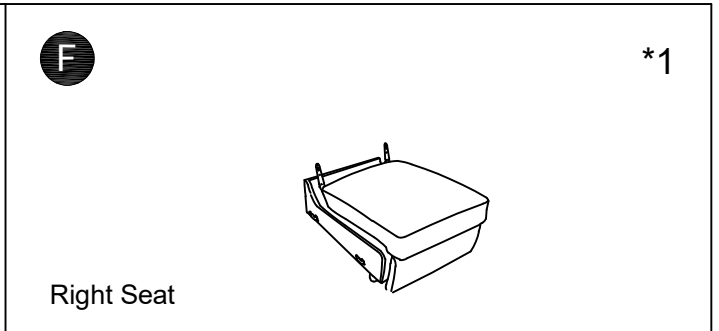
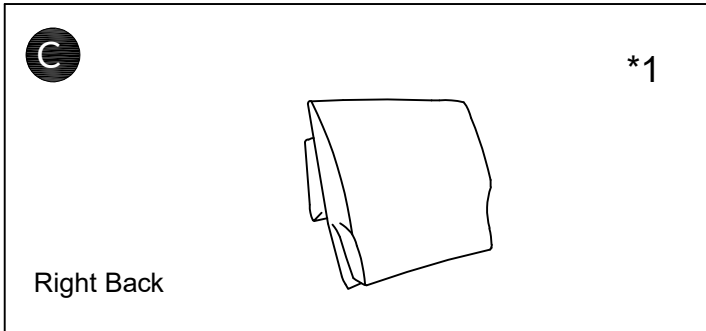
<p><b>A</b> *1</p>  <p>Left Back</p>	<p><b>D</b> *1</p>  <p>Left Seat</p>
<p><b>I</b> *4</p>  <p>Wooden feet</p>	<p><b>J</b> *8</p>  <p>Plastic feet</p>
<p><b>K</b> *1</p>  <p>Connecting wire</p>	<p><b>L</b> *1</p>  <p>Adapter</p>
<p><b>M</b> *1</p>  <p>Plug</p>	 <p>Hardware pack</p>

## In Box B

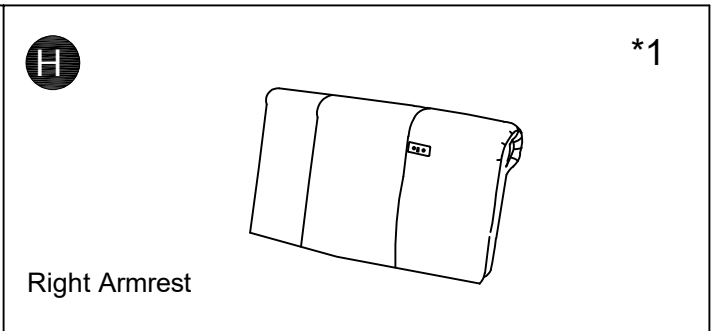
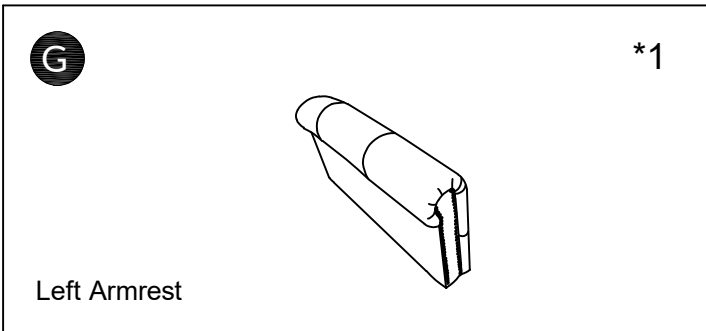
<p><b>B</b> *1</p>  <p>Middle Back</p>	<p><b>E</b> *1</p>  <p>Middle Seat</p>
---	---



***In Box C***

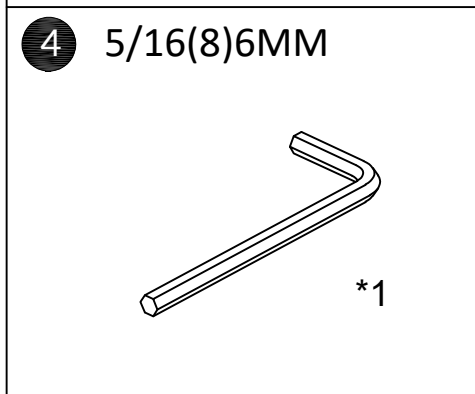
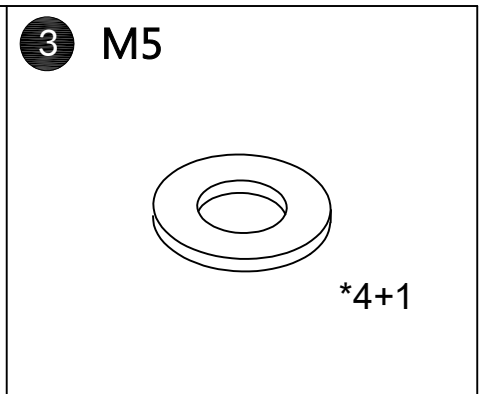
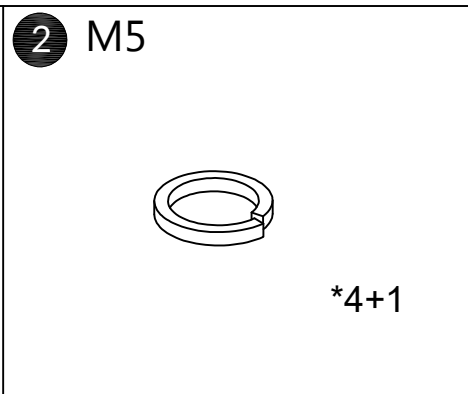
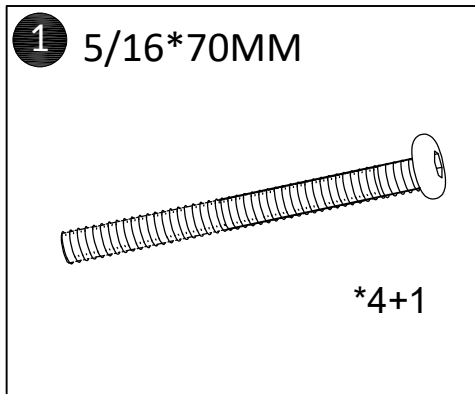


***In Box D***

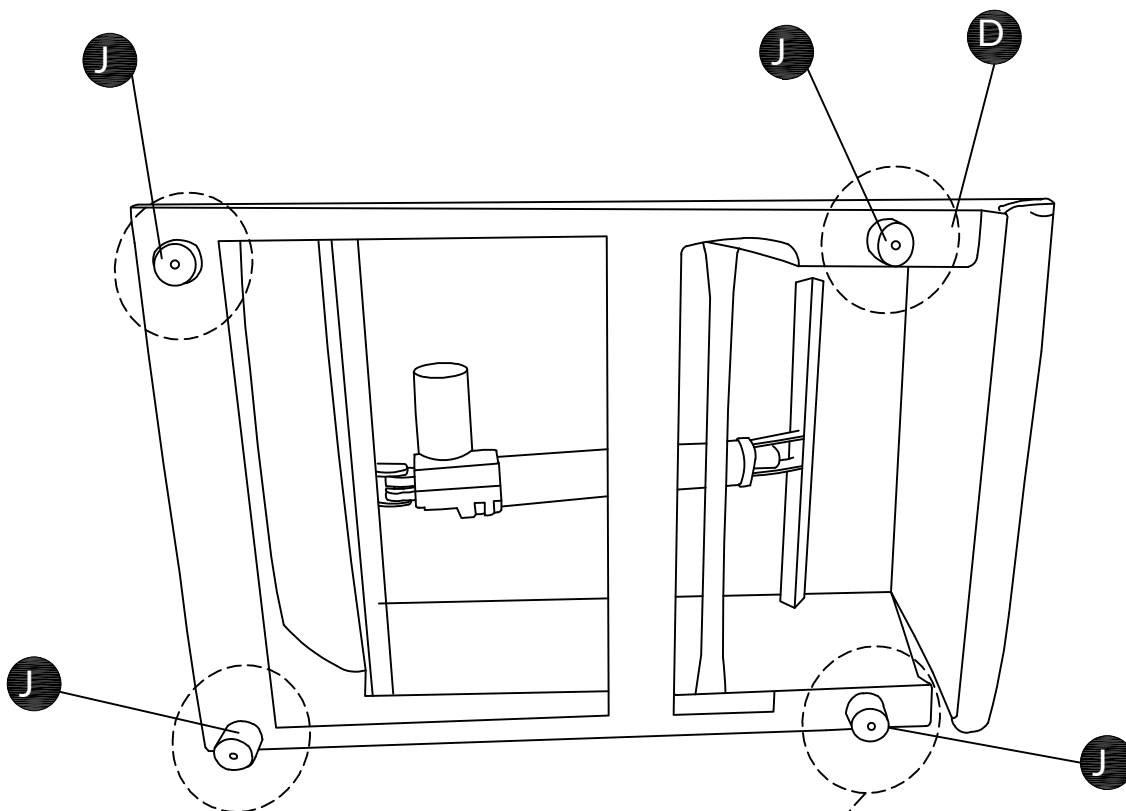


***Hardware List***

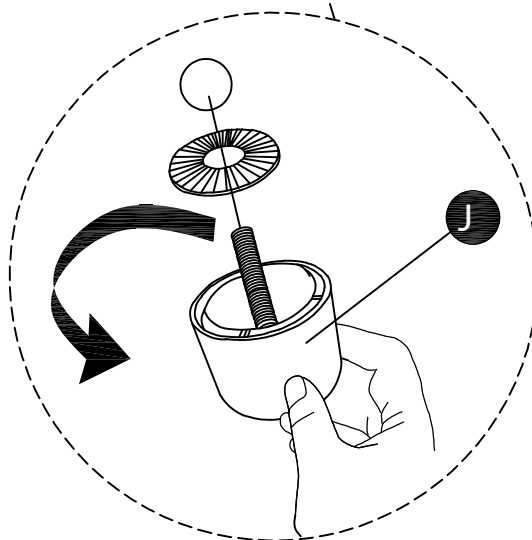
***In Box A***



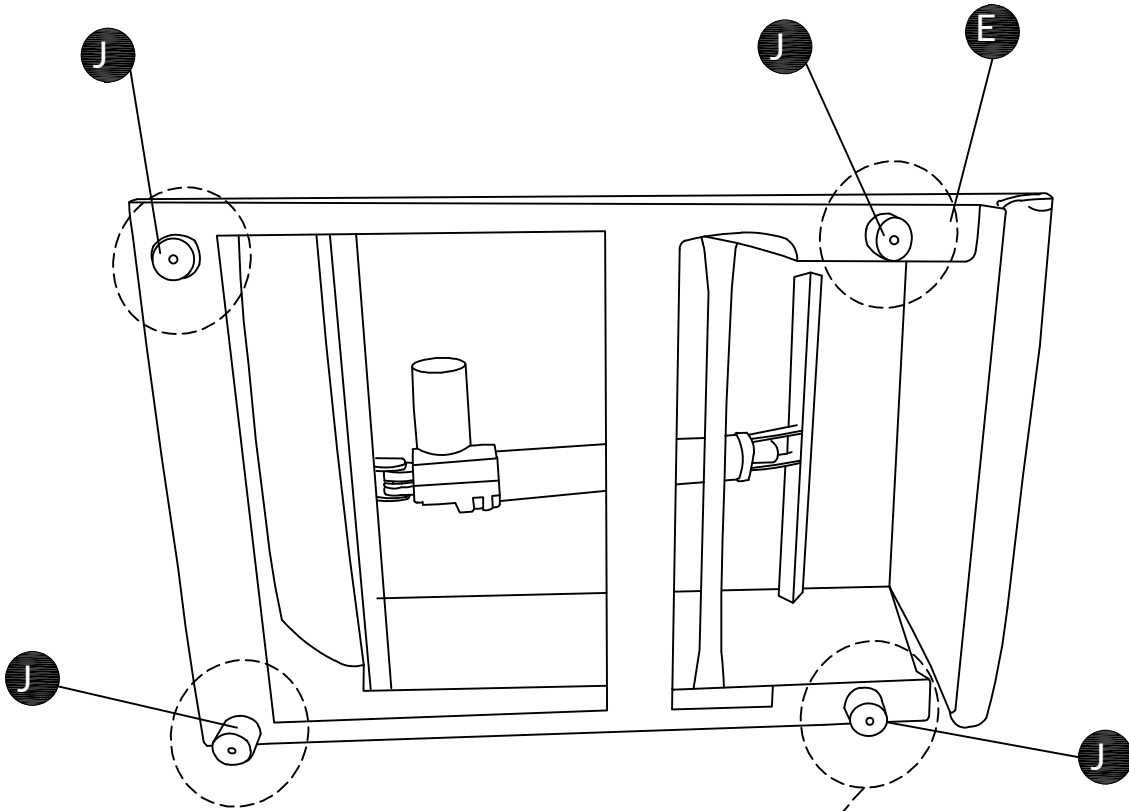
**Step 1**



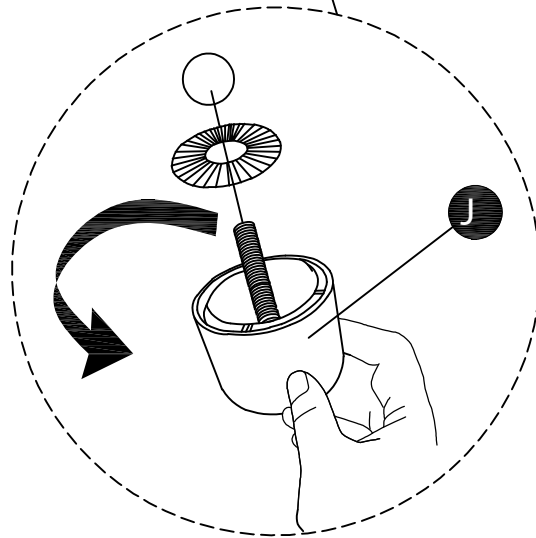
Assemble plastic feet onto the seat.



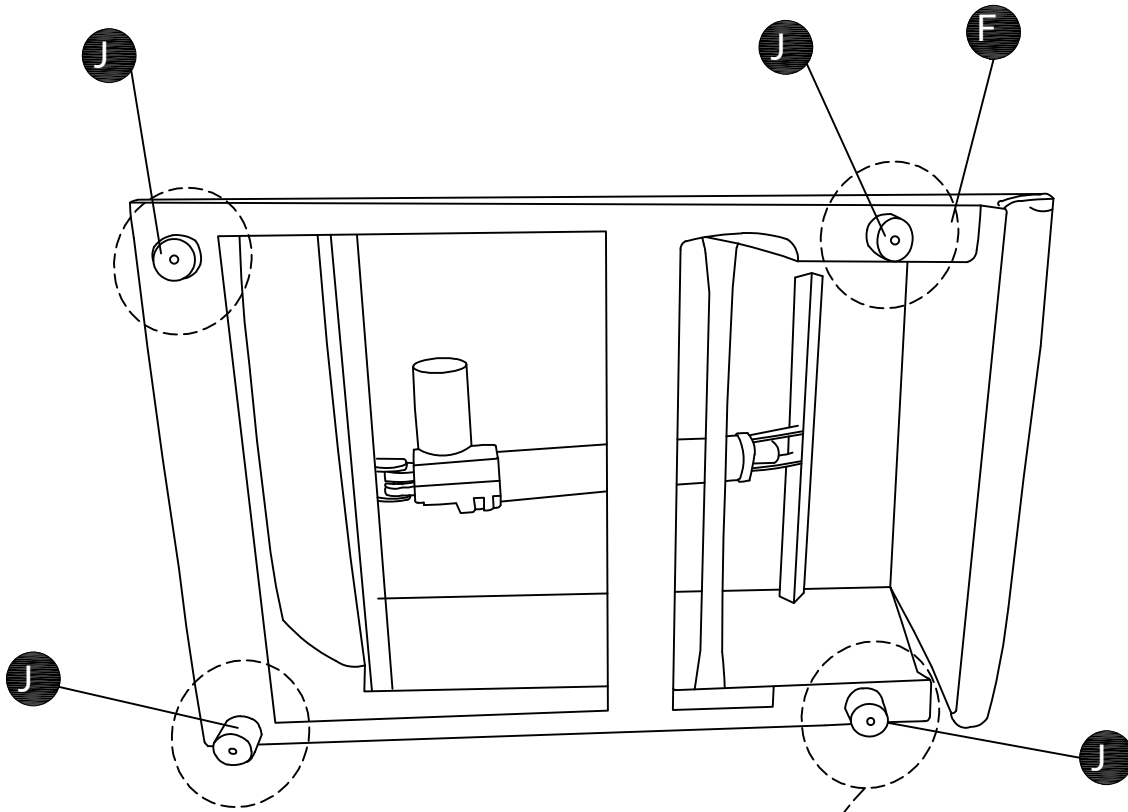
## Step 2



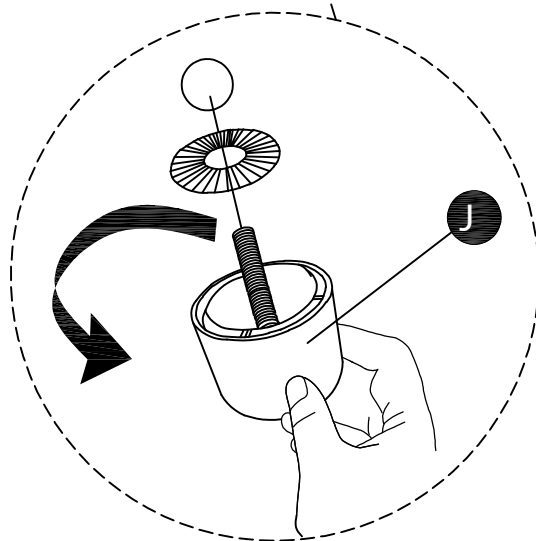
Assemble plastic feet  
onto the seat.



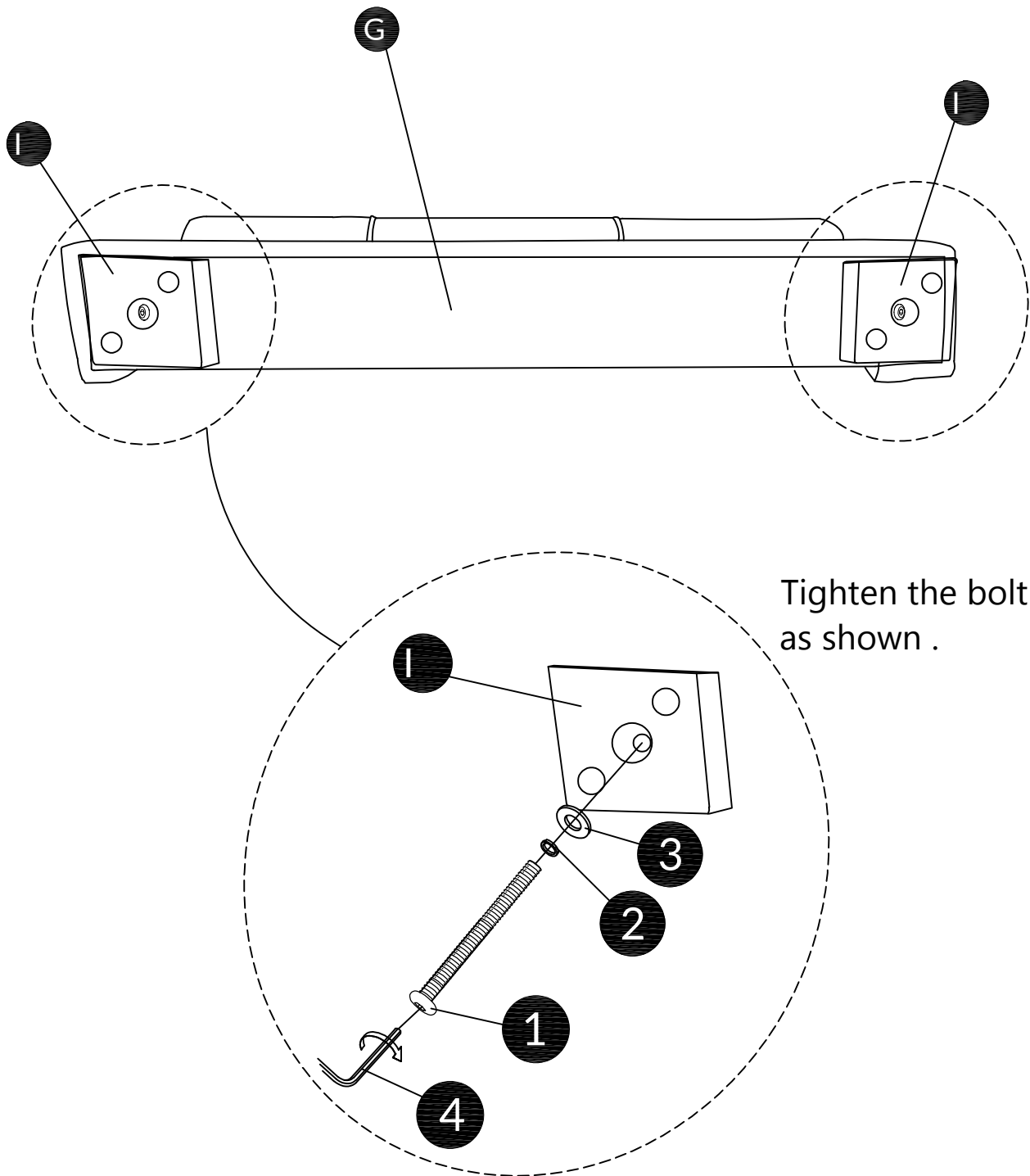
### Step 3



Assemble plastic feet onto the seat.

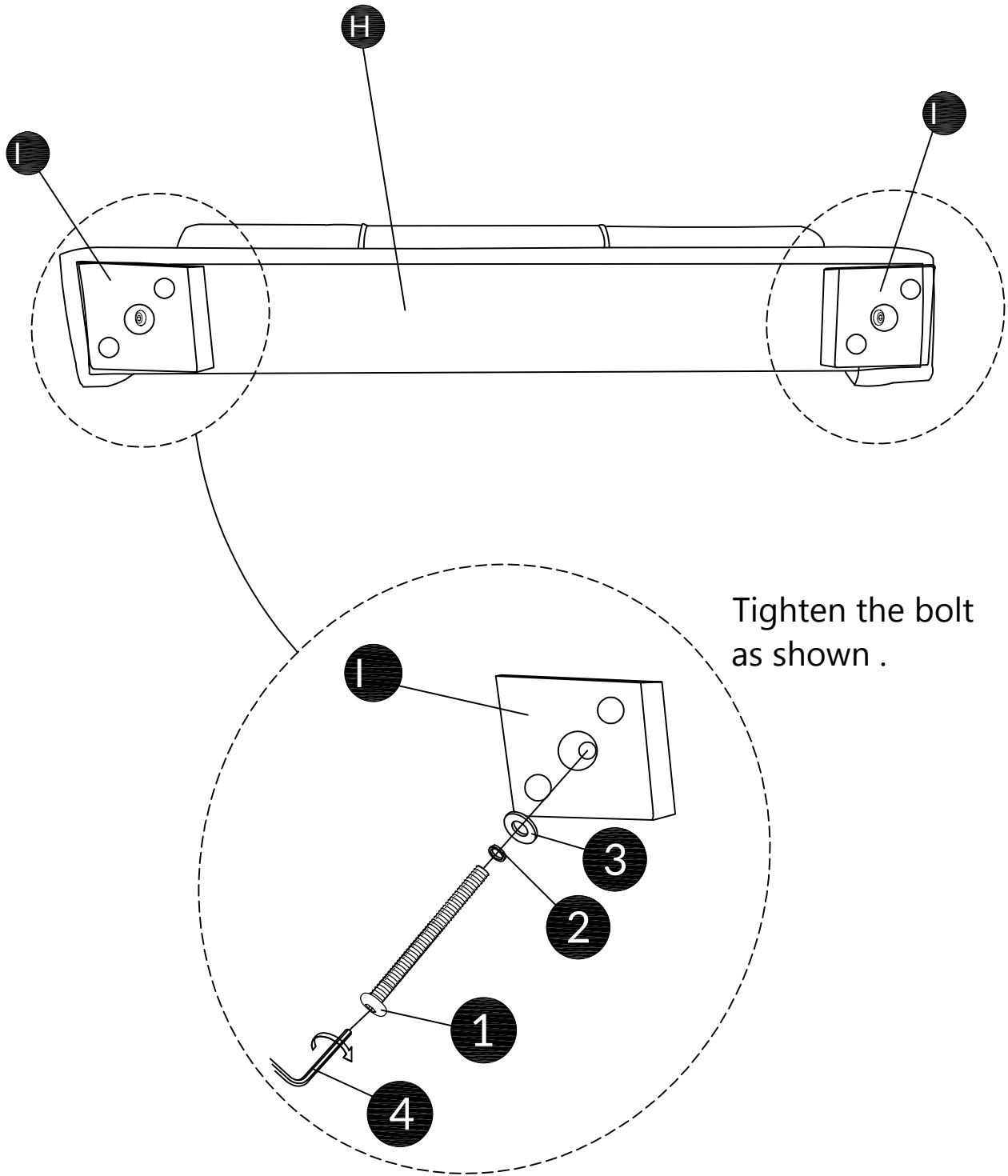


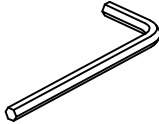
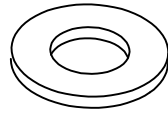


# Step 4



4	*1	3	*2	2	*2	1	*2

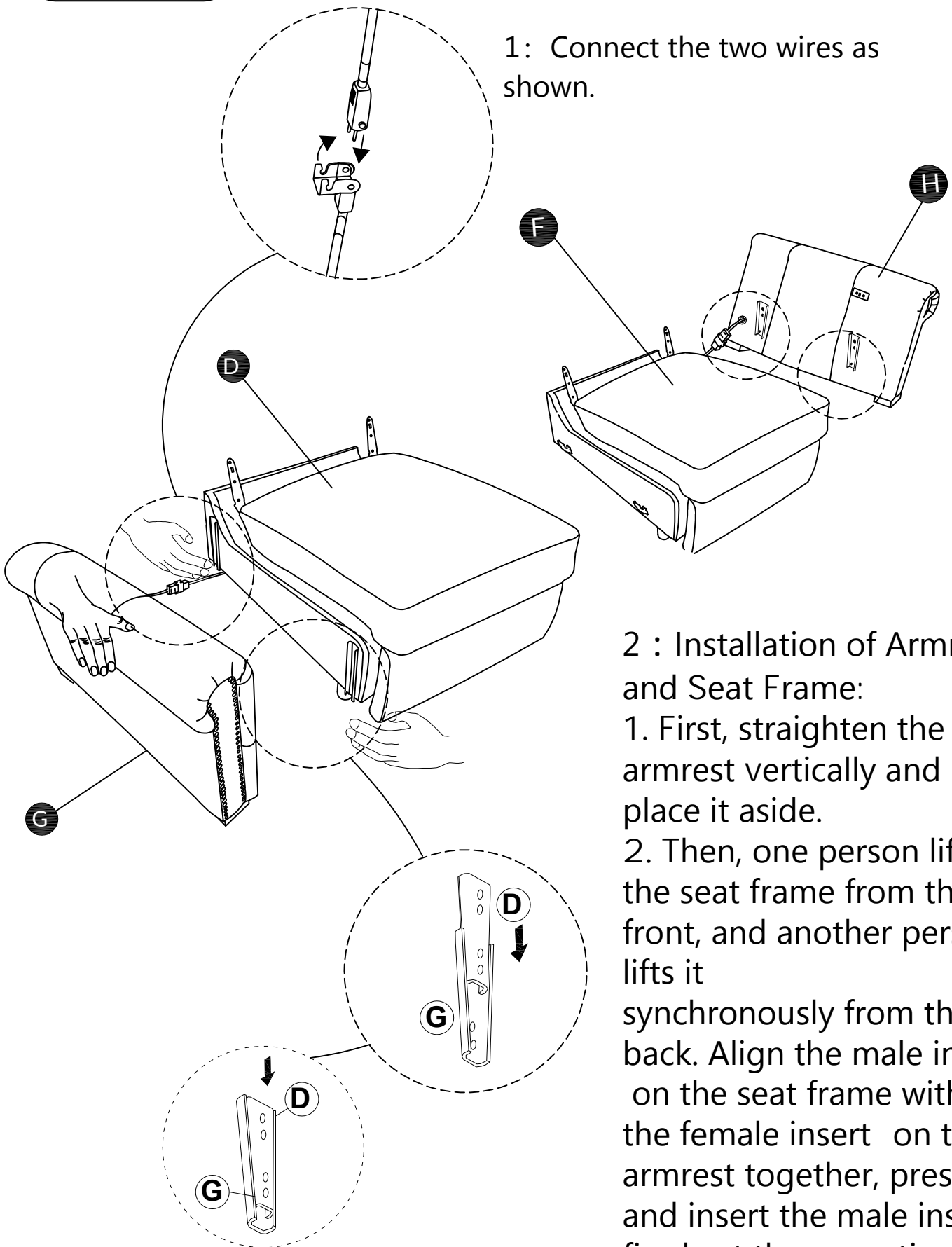
# Step 5



4	*1	3	*2	2	*2	1	*2
							

## Step 6

1: Connect the two wires as shown.

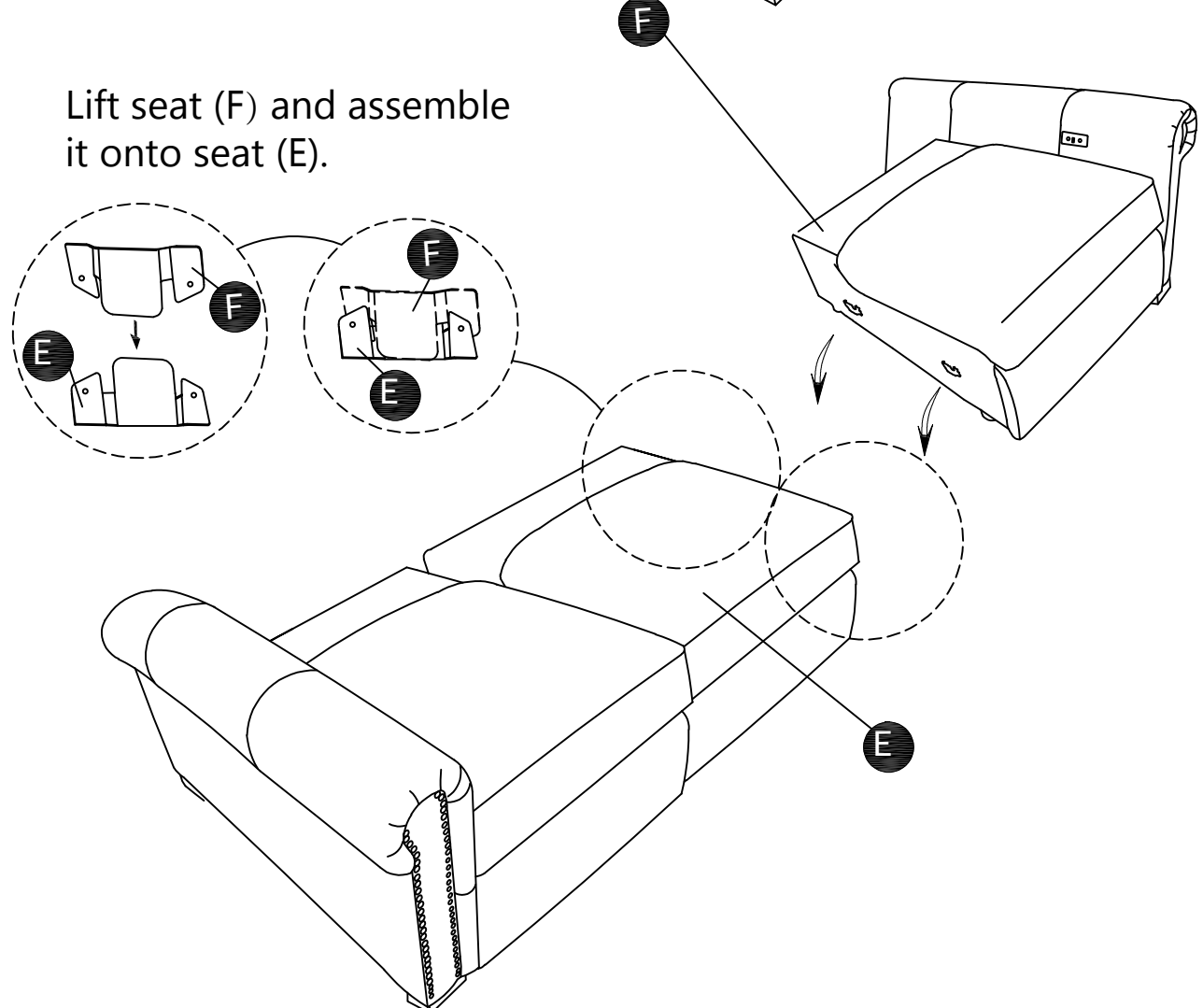
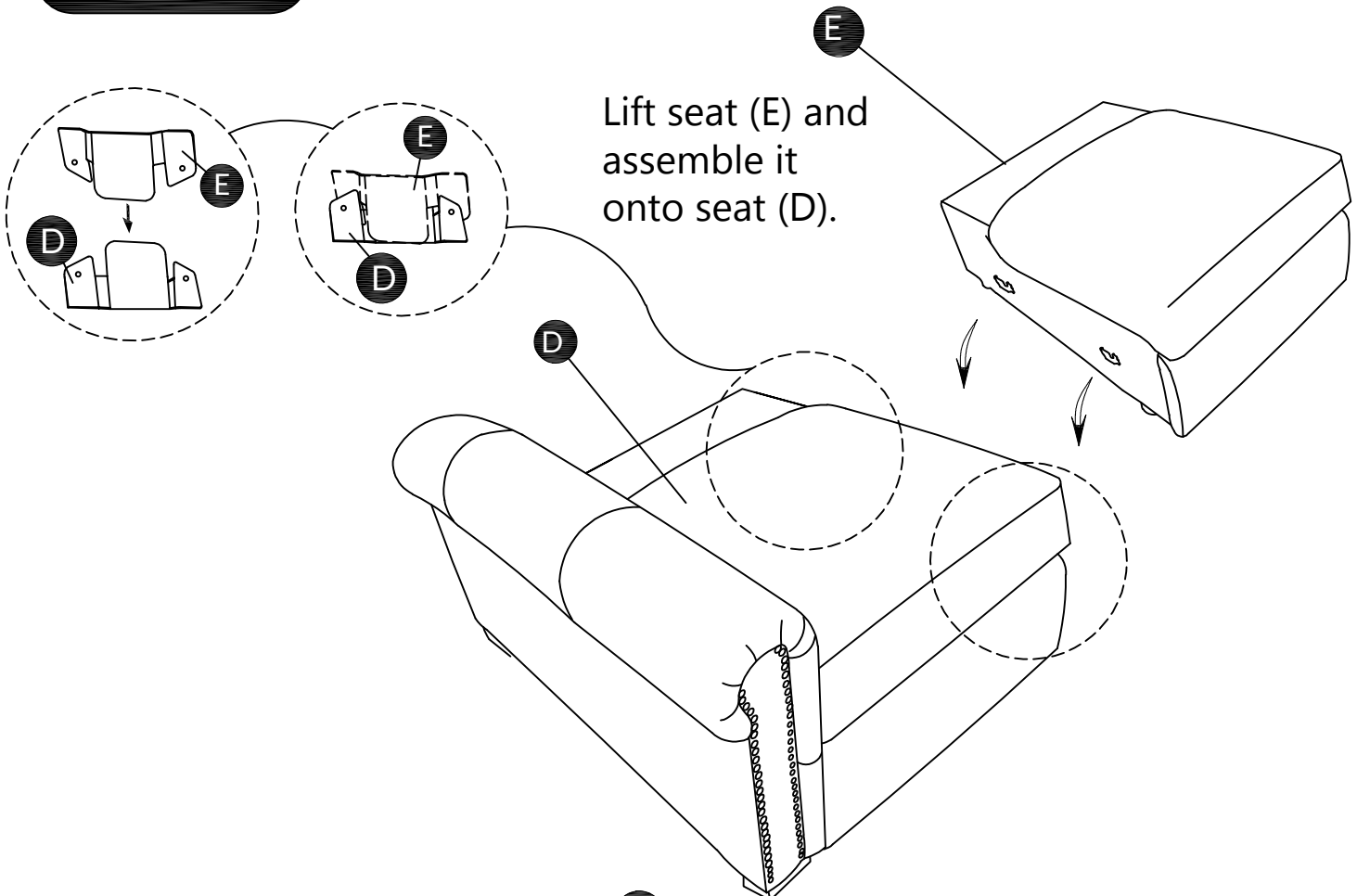


2 : Installation of Armrest and Seat Frame:

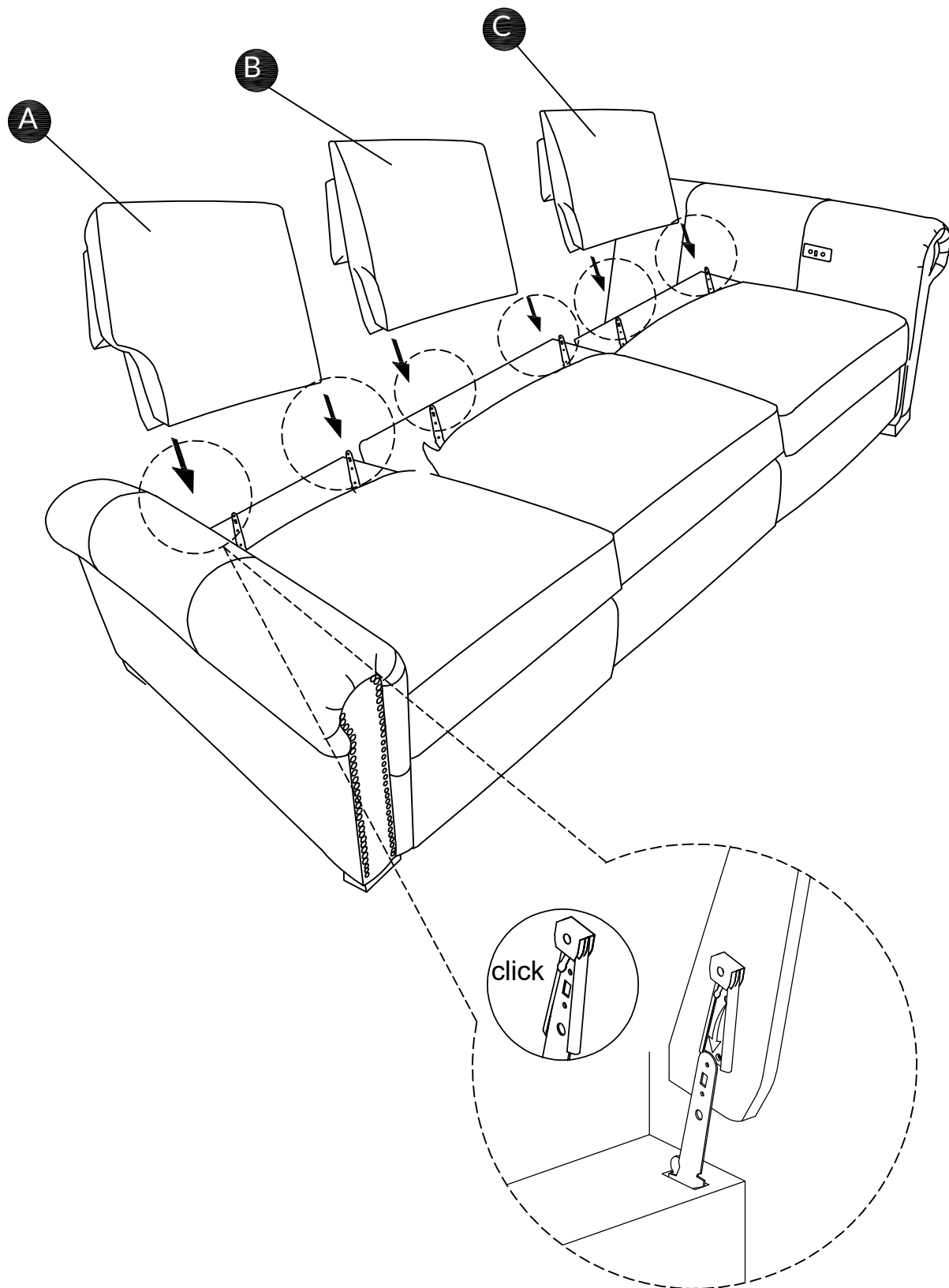
1. First, straighten the armrest vertically and place it aside.

2. Then, one person lifts the seat frame from the front, and another person lifts it synchronously from the back. Align the male insert on the seat frame with the female insert on the armrest together, press and insert the male insert firmly at the same time until it clicks into place completely as shown in the figure.

**Step 7**

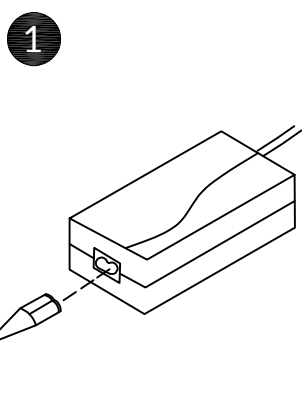
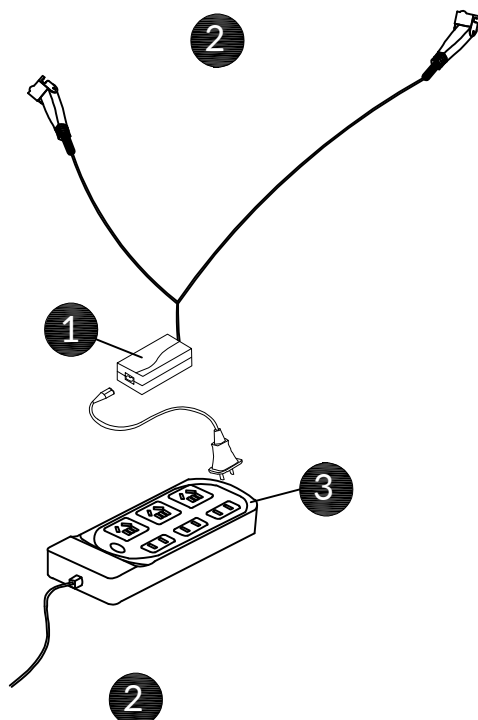
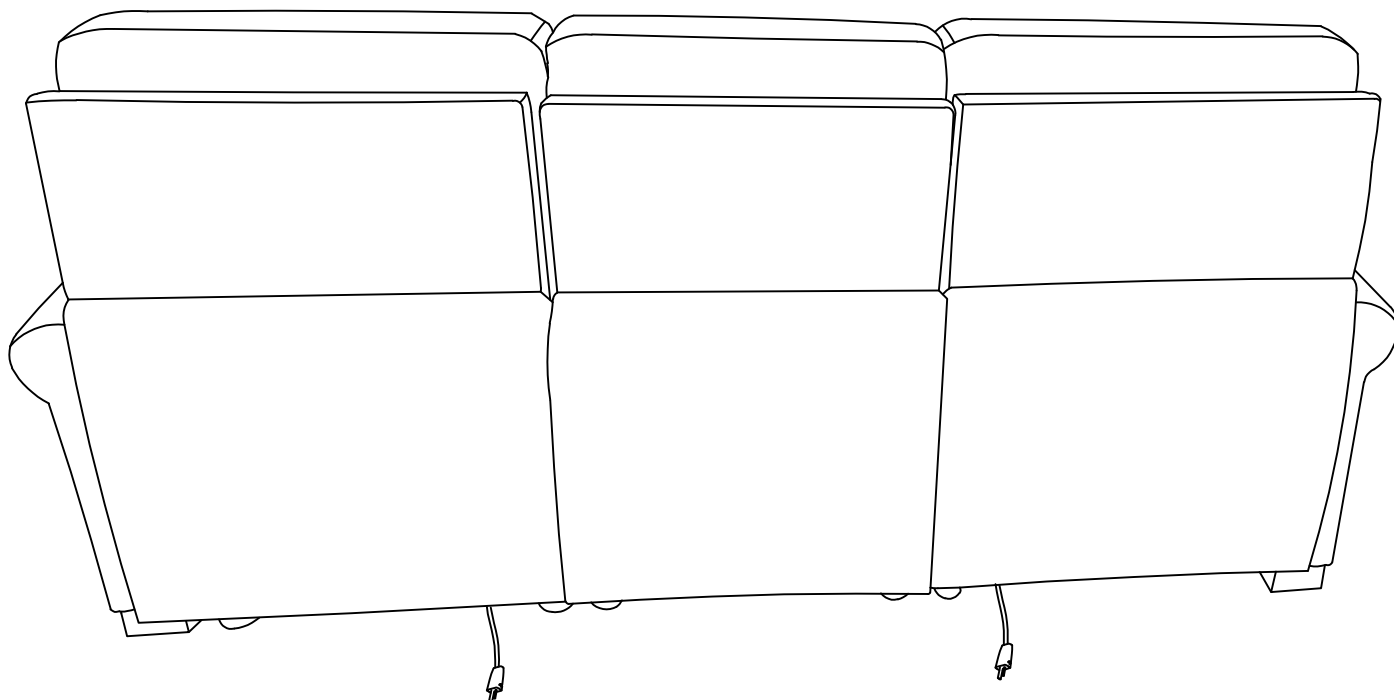


## Step 8

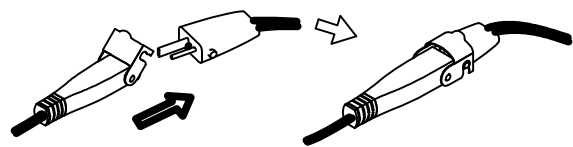


Align the backrest bracket with the seat bracket, and then press the backrest down onto the seat as shown.

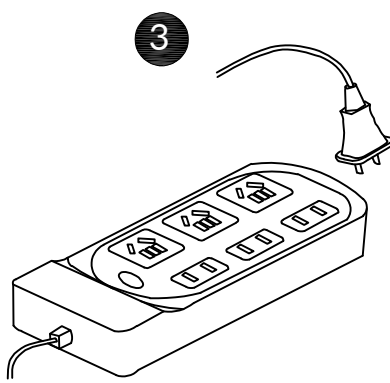
# Step 9



Connect Adapter and Plug

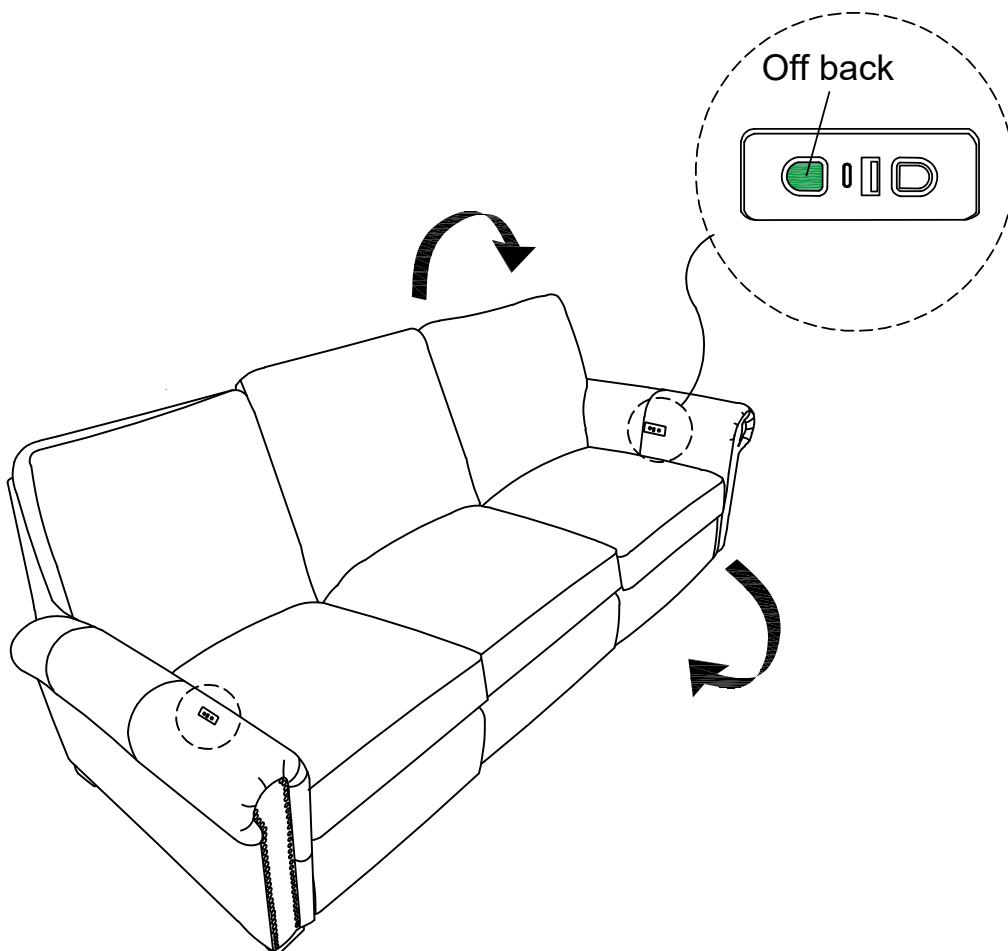
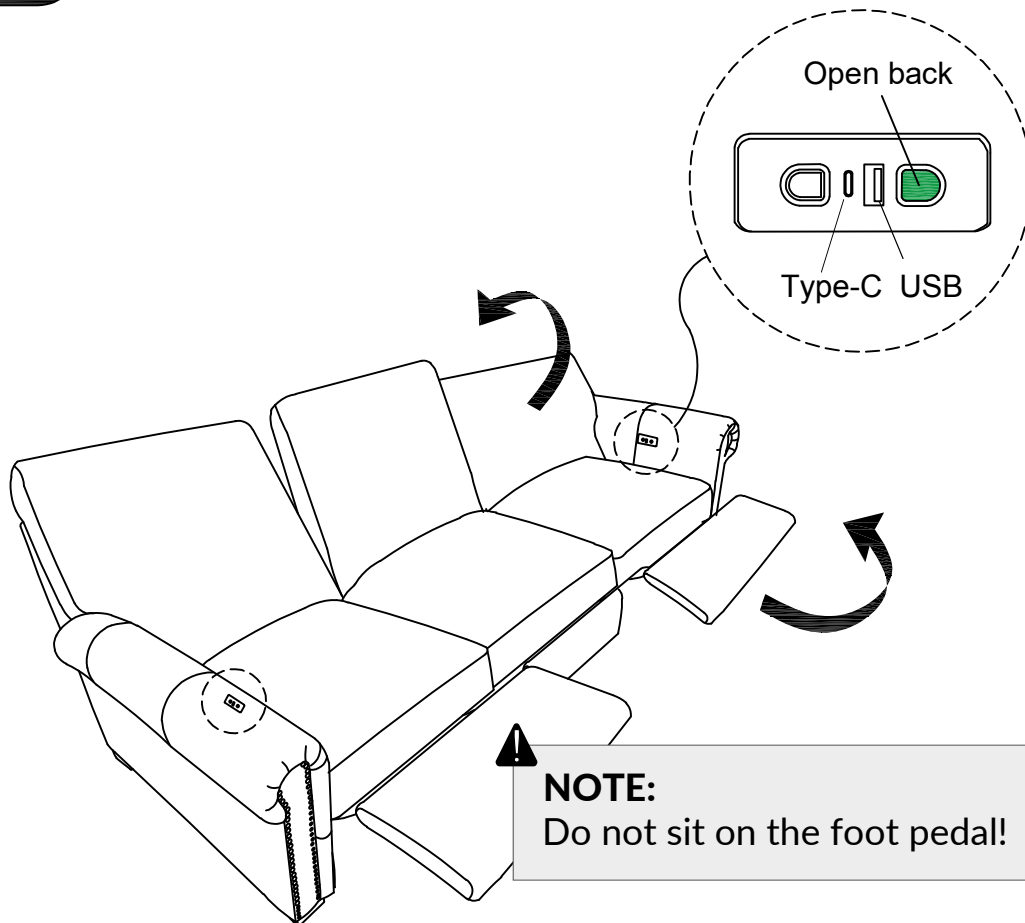


Connect the adapter cable to the bottom cable of the sofa.

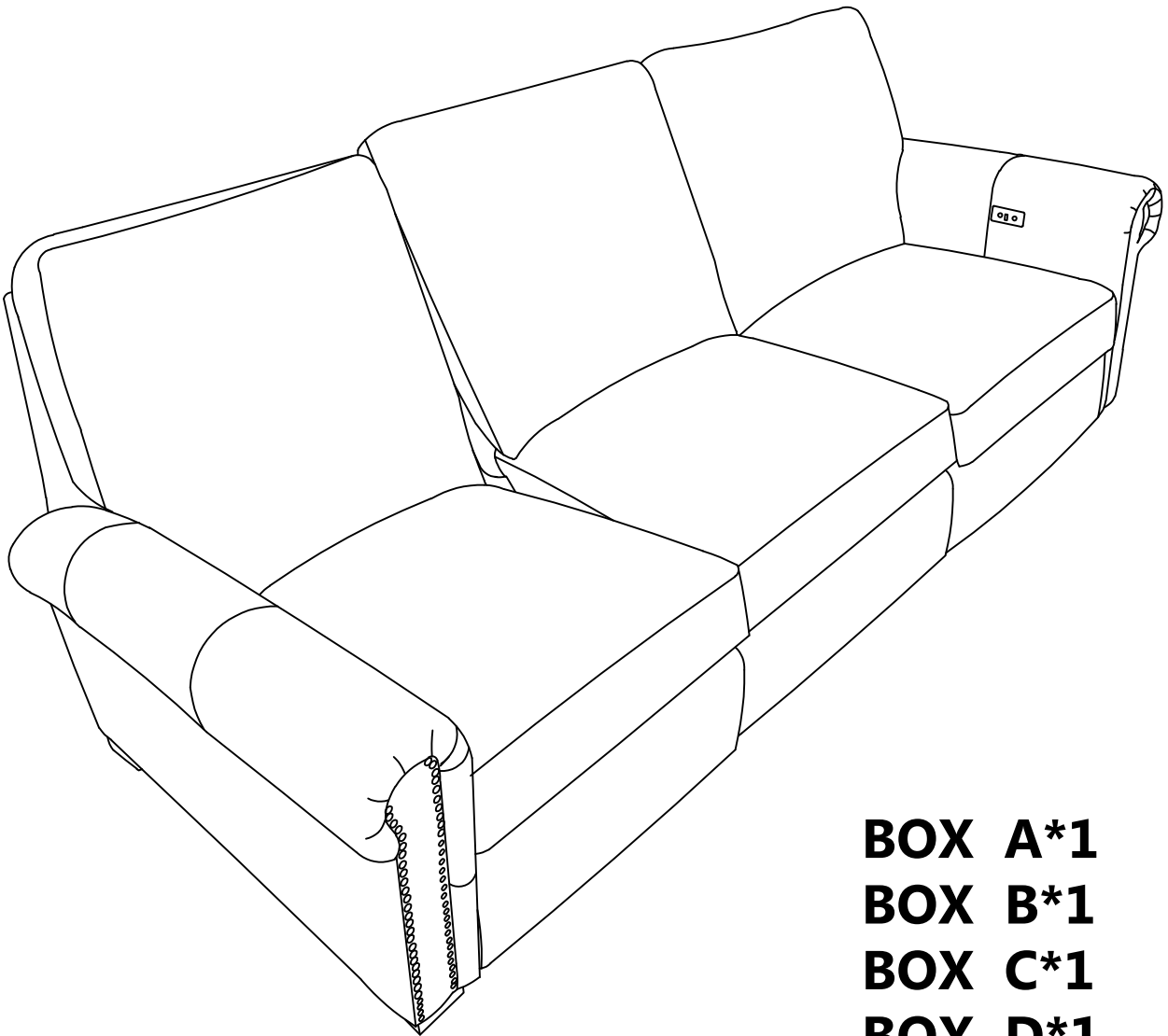


Power on the plug.

## Step 10

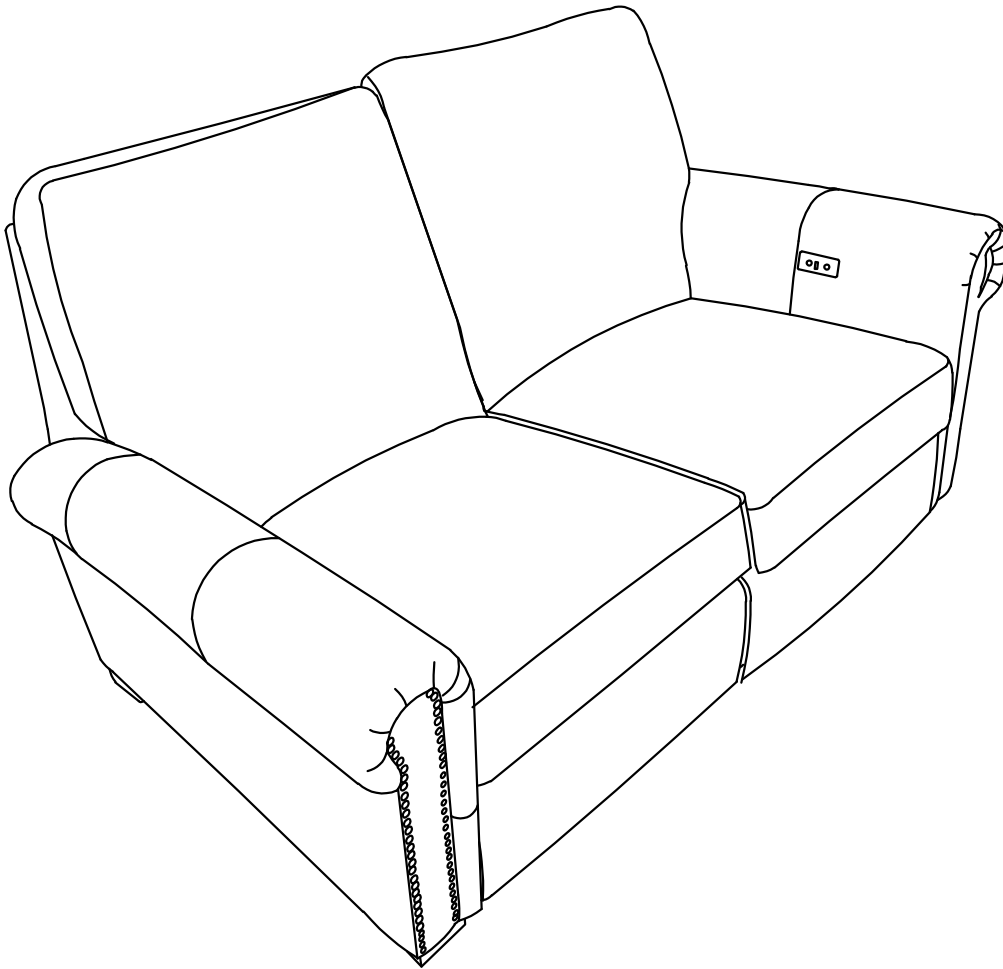


# ASSEMBLY TYPE -1



**BOX A\*1**  
**BOX B\*1**  
**BOX C\*1**  
**BOX D\*1**

# ASSEMBLY TYPE -2



**BOX A\*1**

**BOX C\*1**

**BOX D\*1**

# WARRANTY

- We strive to offer quality products, and we also try our best to satisfy every customer who orders from us with products or services as needed.
- Replacement parts can be purchased from our company if available.
- For returns, please check the return policy with the retailer or marketplace where you purchased the item.

## ***Are you having difficulty***

With assembly? Missing parts?  
Please send an email with your order No. to  
[hello@hulalahome.com](mailto:hello@hulalahome.com)

We appreciate your purchase.  
Brighten your life with our furniture!