
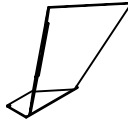


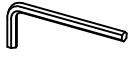


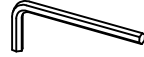


THANK YOU FOR PURCHASING THIS QUALITY PRODUCT.
BE SURE TO CHECK ALL PACKING MATERIAL CAREFULLY FOR SMALL PARTS THAT
MAY HAVE COME LOOSE INSIDE THE CARTON DURING TRANSIT

PART LIST

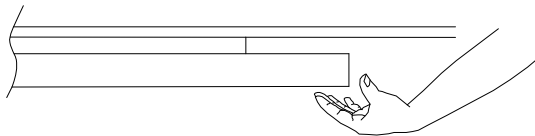
| NO | DESC | SIZE (MM) | SKETCH | QTY |
|----|------|--------------------------|---------------------------------------------------------------------------------------|------|
| A | TOP | 1600(+400*2) *990*130 |  | 1PC |
| B | LEG | 300*690*620 |  | 2PCS |

HARDWARE LIST

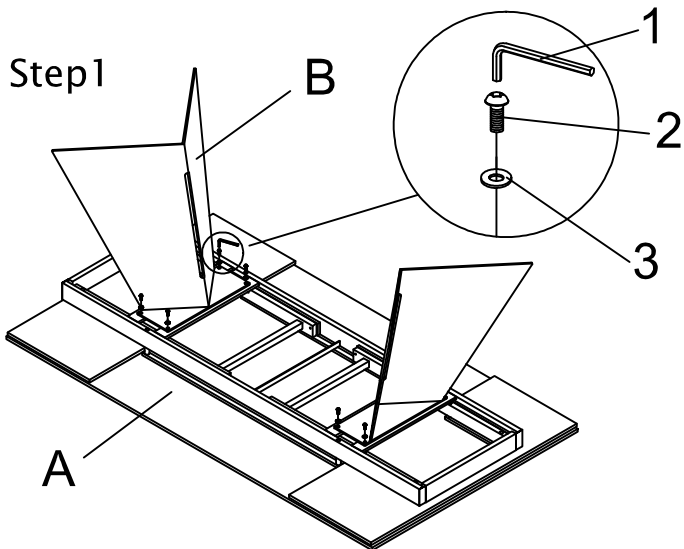
| NO | DESC | SIZE (MM) | SKETCH | QTY |
|----|--------------|-----------|---------------------------------------------------------------------------------------|------|
| 1 | allen key | 5# |  | 1PC |
| 2 | screw | M8*20 |  | 8PCS |
| 3 | flast wahser | 8# |  | 8PCS |
| 4 | allen key | 8# |  | 1PC |

Notice: Not to hold or raise the table from holding the top/extension together.

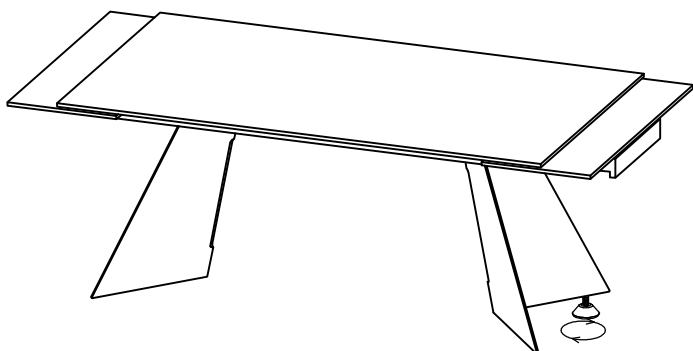
But need to hold the metal frame of the table to the table to move to the locations preferred.



CORRECT WAY



Step2 FLIP THE TABLE UPWARD.

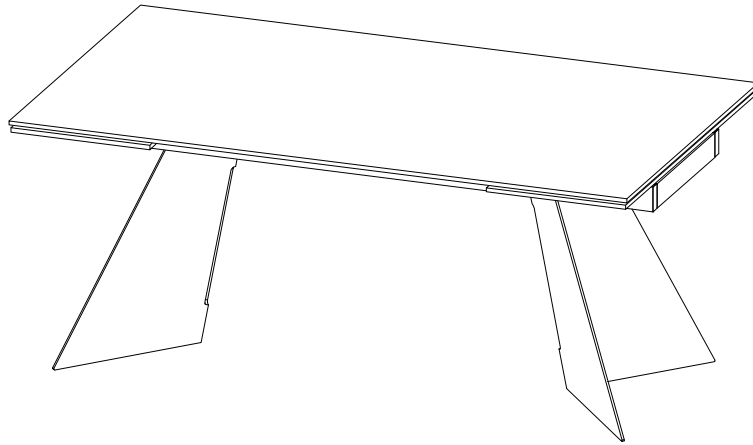


FINISH

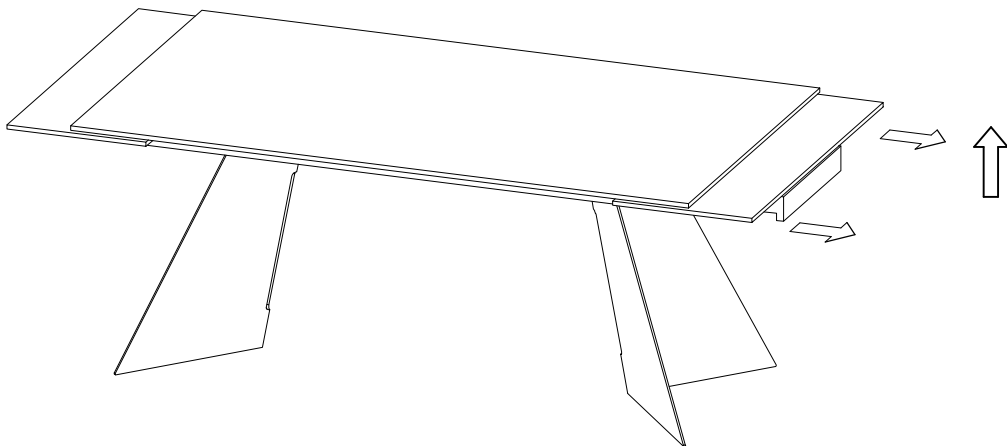
Adjustable

USER MANUAL

1.



2.



Slide the extension out by pulling from the glass with 2 hands from the ends

3.

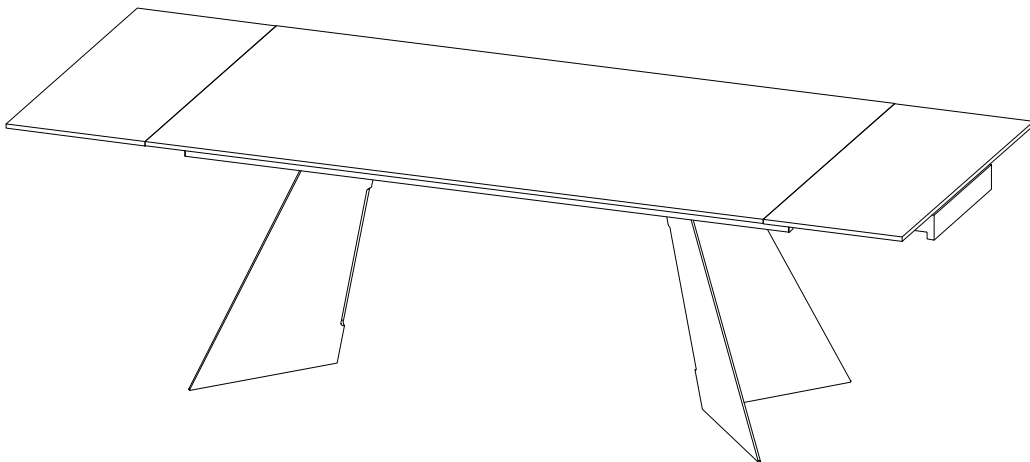
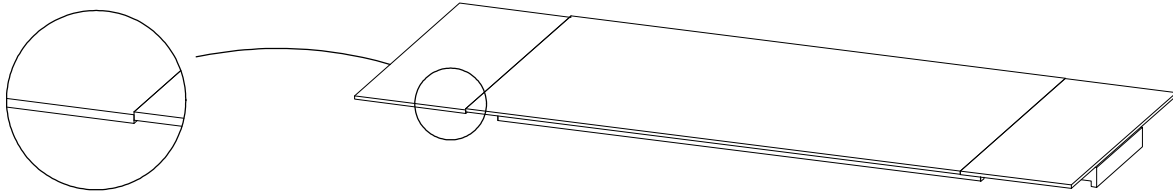


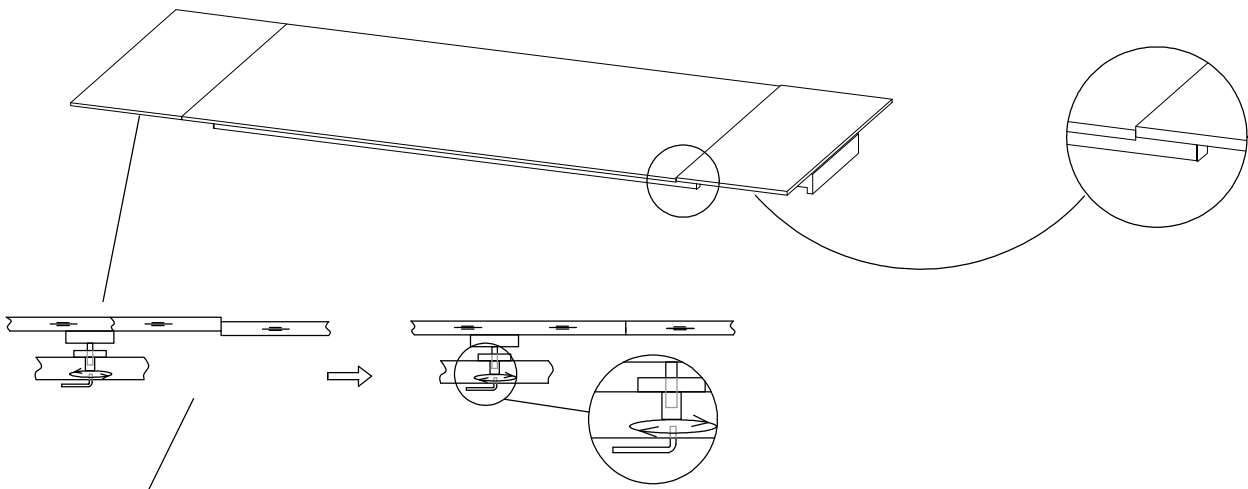
TABLE TOP USE INSTRUCTIONS

Case 1: If either extension is lower than the main glass top, please proceed to loose the screws on the metal pucks attached to the glass to allow the extension to move until it is leveled with the top and then tighten the screws.



Case 2:

If the extension is higher than the main glass top, please proceed to tighten the screws on the metal pucks under the extension until the top and extension become leveled.



To level the main glass top, use Allen Key #8 (part 4) to loosen the screw, then you will be able to level the glass.

After adjusting, please tighten the screws to secure the top