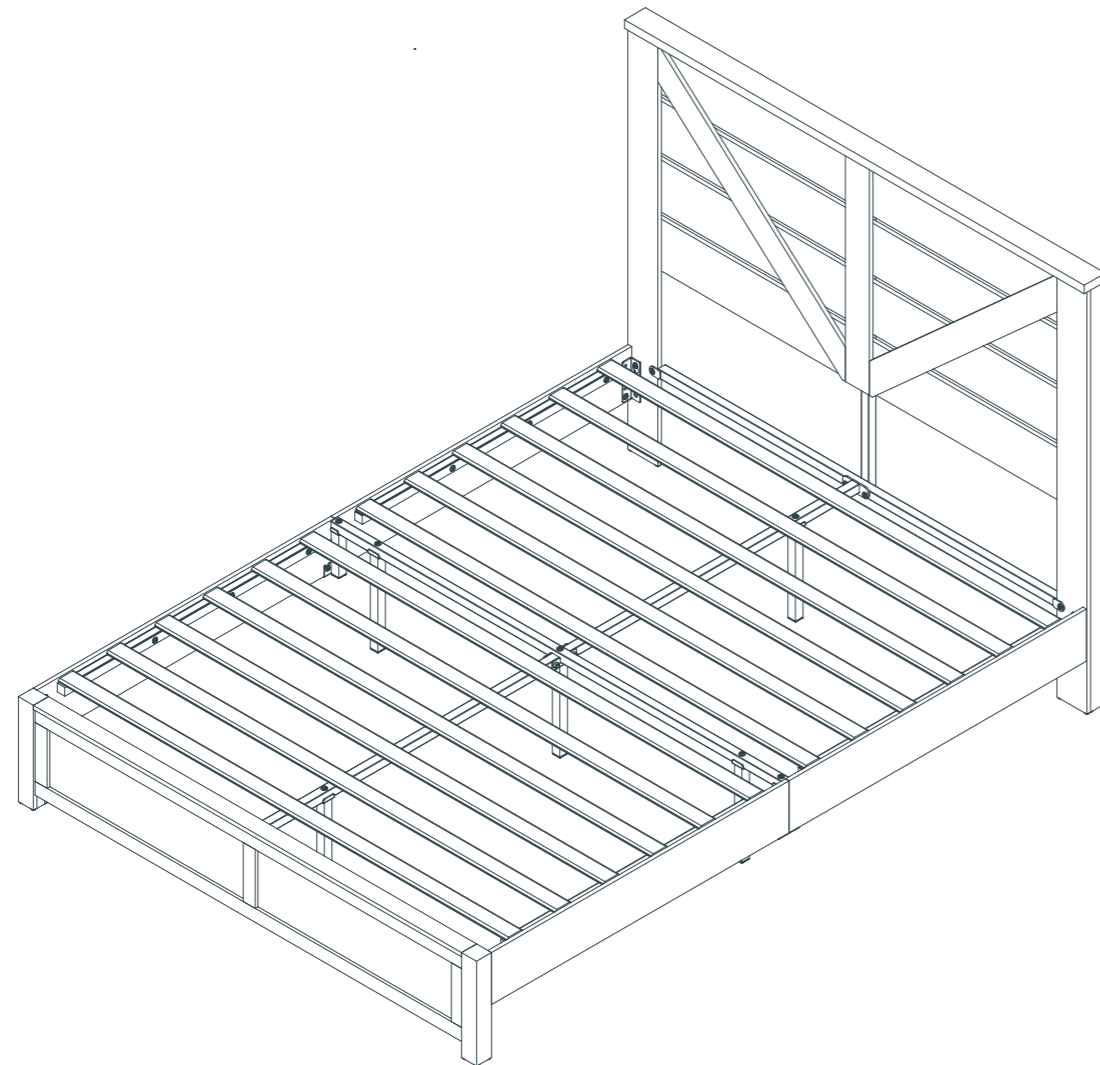


Half Barn Door Ironwood Bed

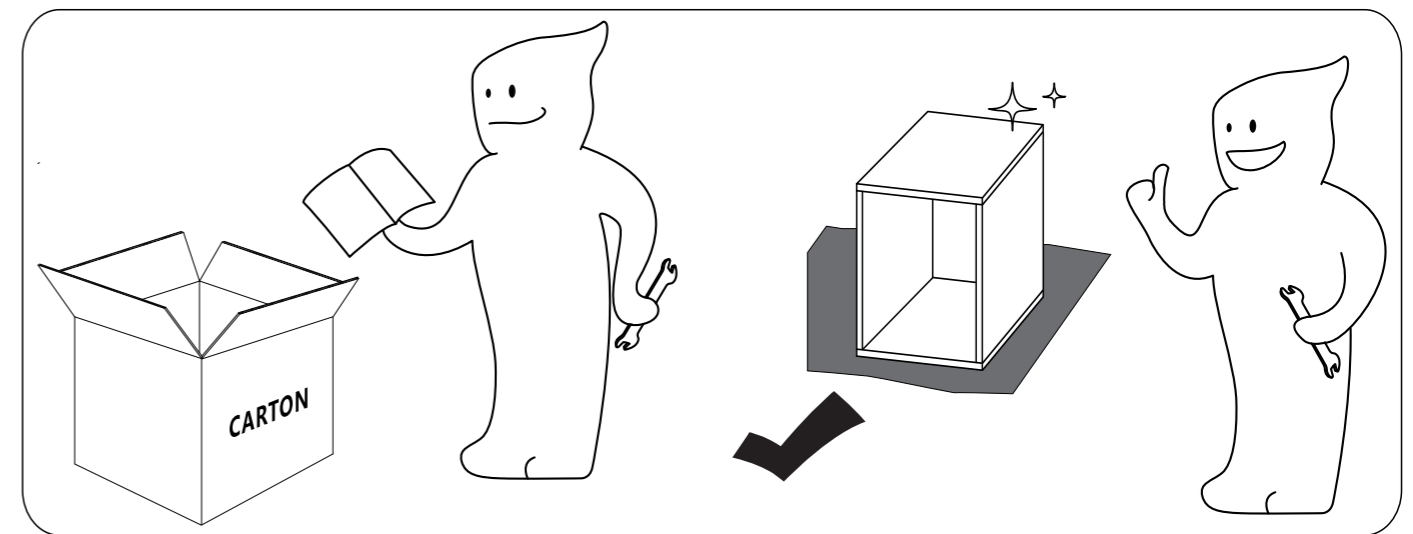
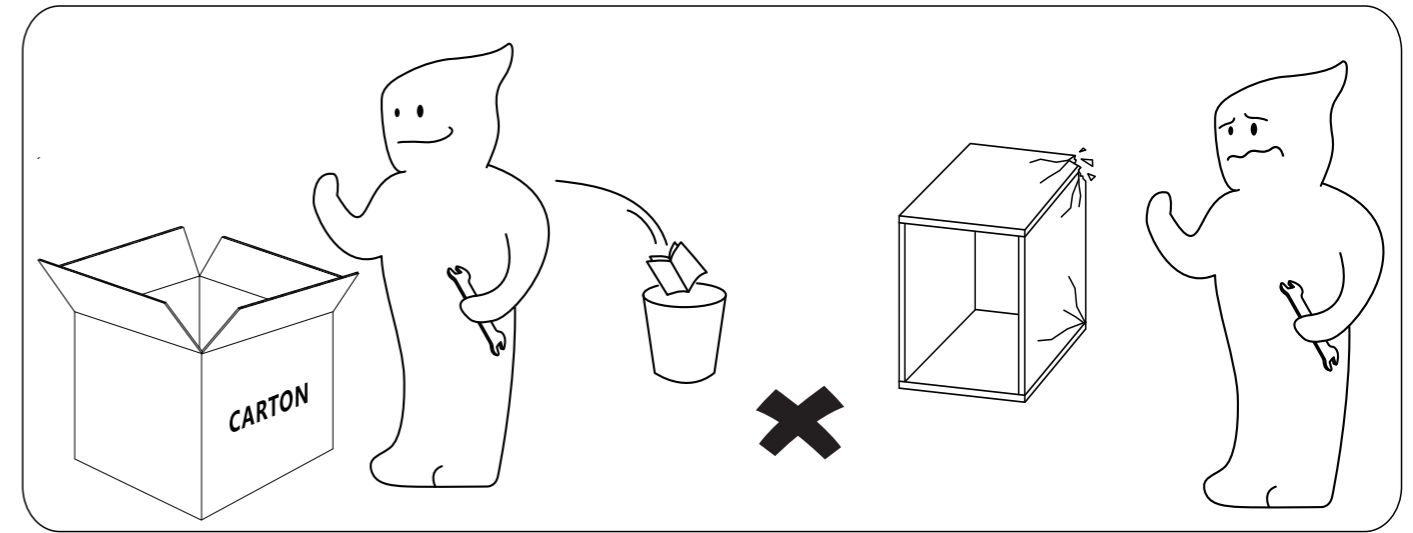


Friendly Customer Service

Satisfaction Guarantees: Any problems with assembly, quality, or return, please feel free to contact us directly.



Please follow the instruction manuals and use a pad to protect the product during your assembly.



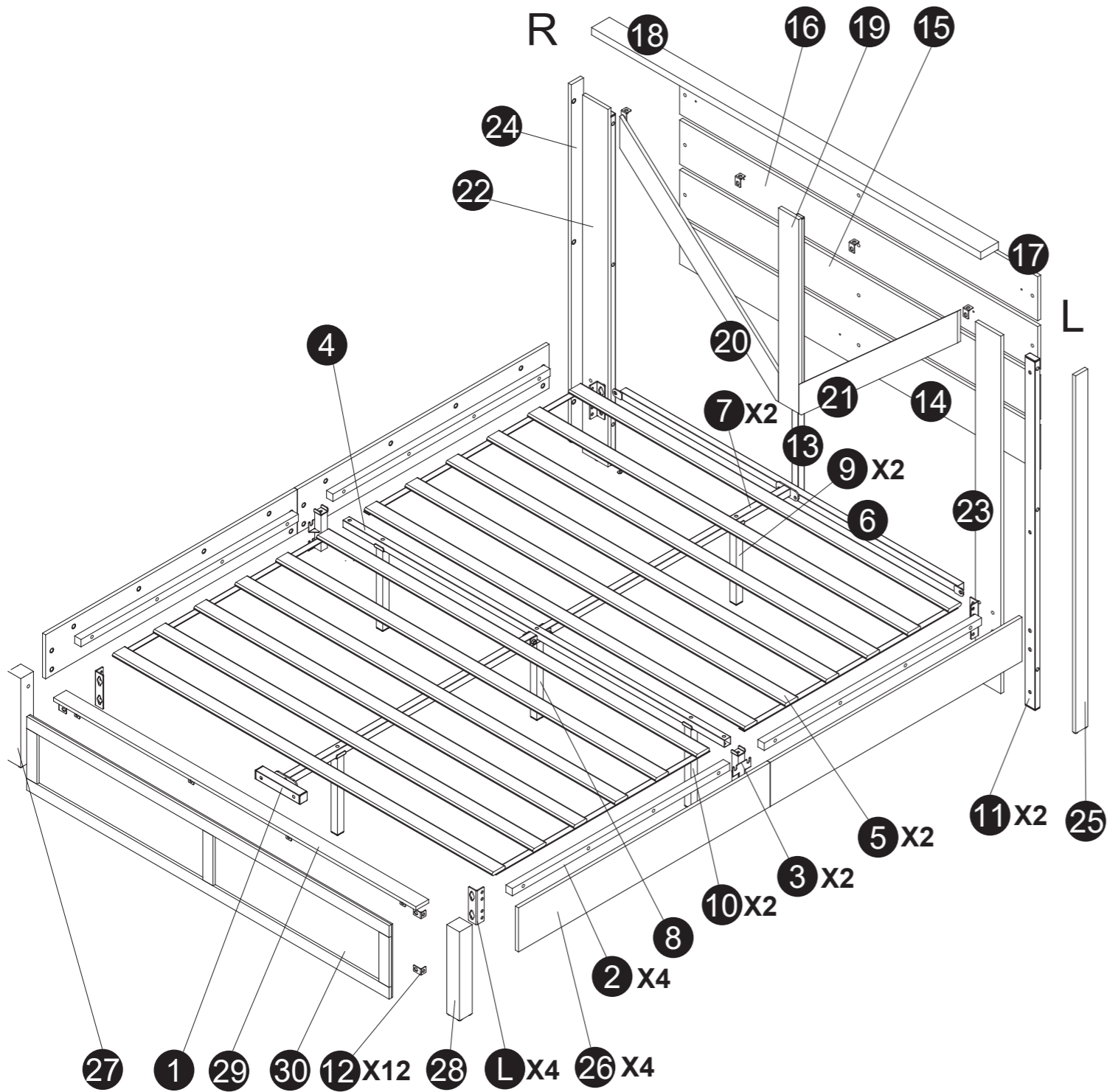
Note:

1. Should be assembled on flat ground to keep balance.
2. Before completing the installation, do not tighten the screws.



For easier and better assembly, **2** or more adults are required.

ASSEMBLY INSTRUCTIONS



ASSEMBLY INSTRUCTIONS

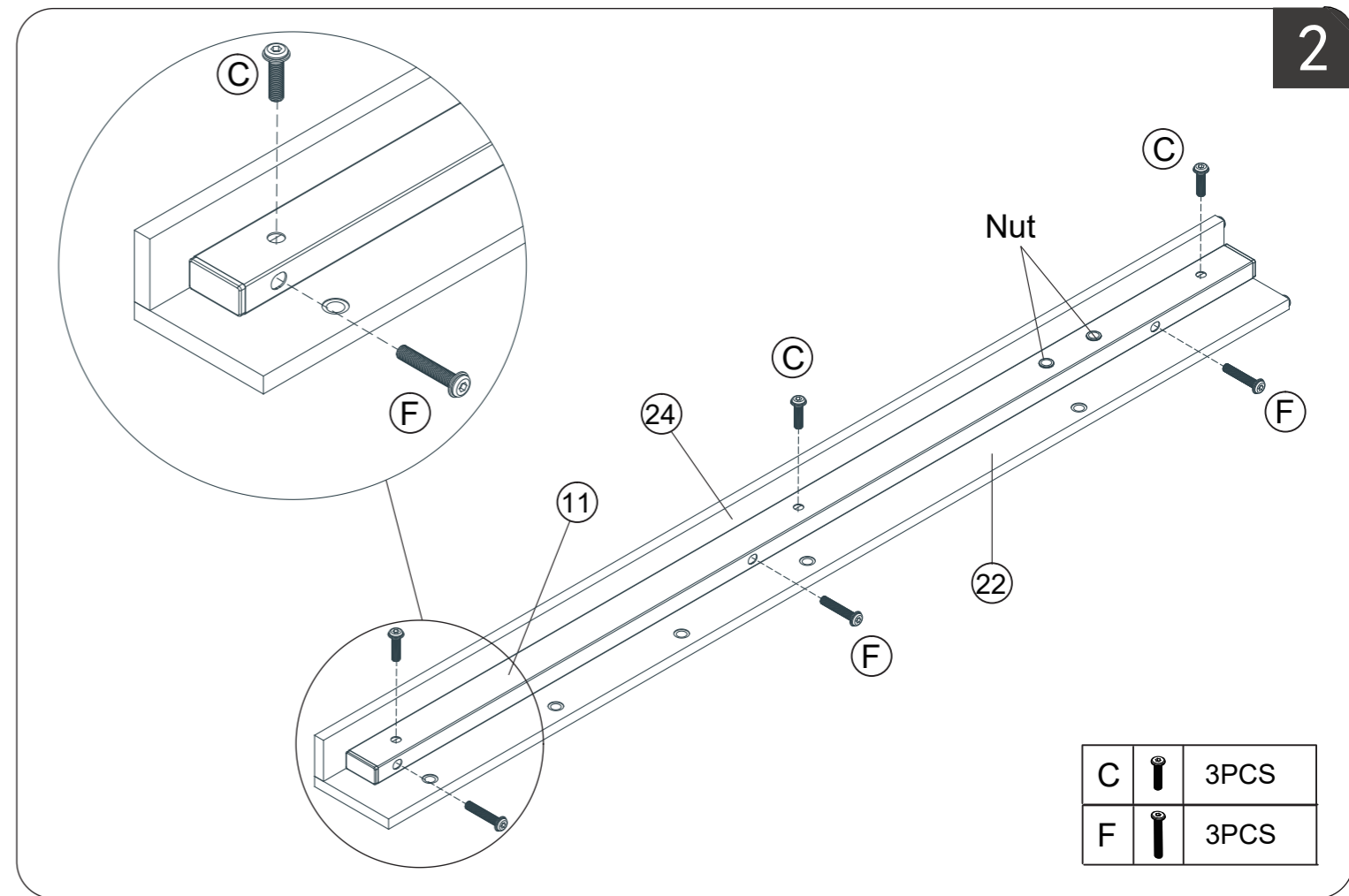
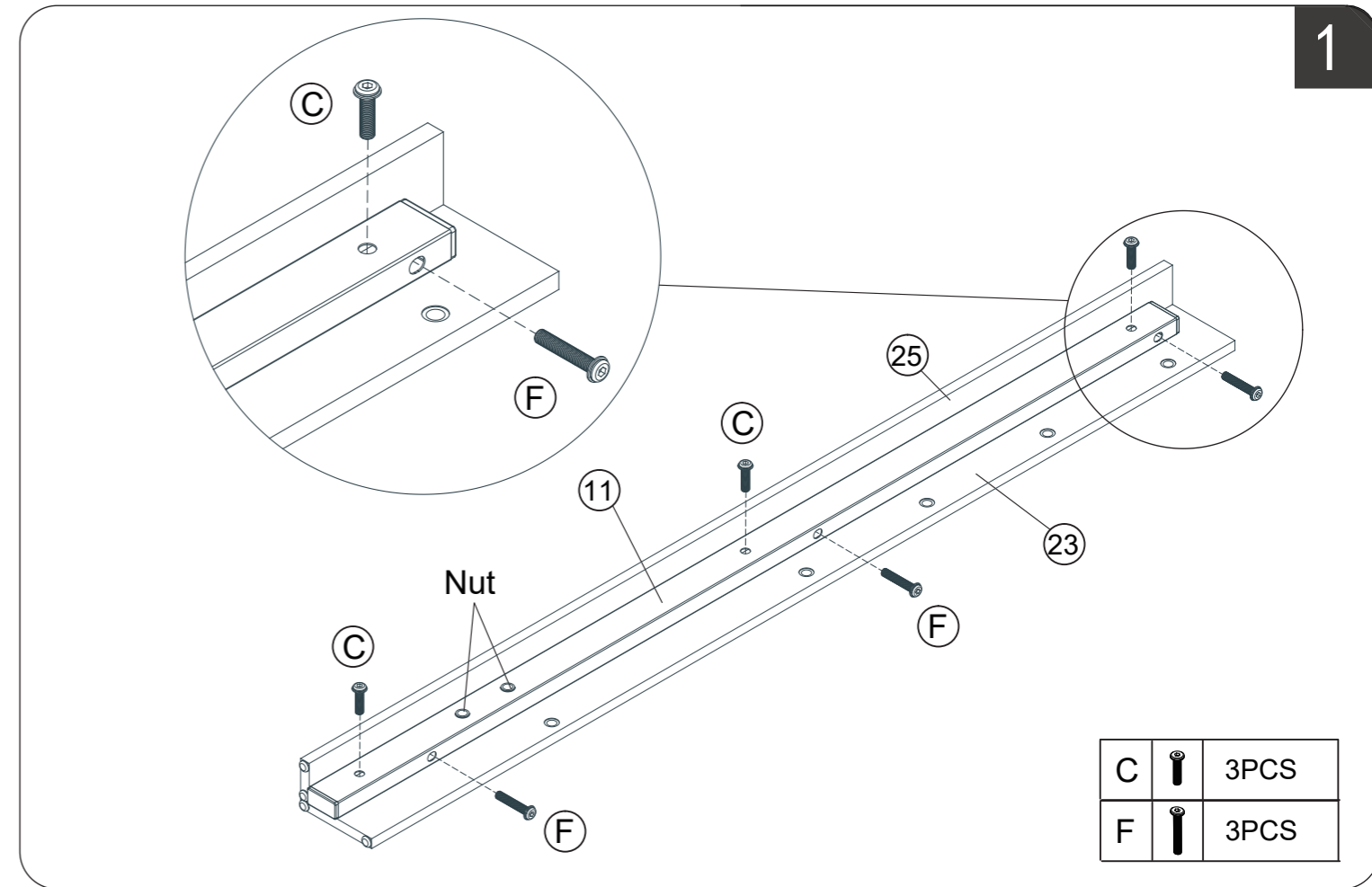
PARTS LIST

1 1PC	2 4PCS	3 2PCS
4 1PC	5 2PCS	6 1PC
7 2PC	8 1PCS	9 2PCS
10 2PCS	11 2PCS	12 12PCS
13 1PC	14 1PC	15 1PC
16 1PC	17 1PC	18 1PC
19 1PC	20 1PC	21 1PC

ASSEMBLY INSTRUCTIONS

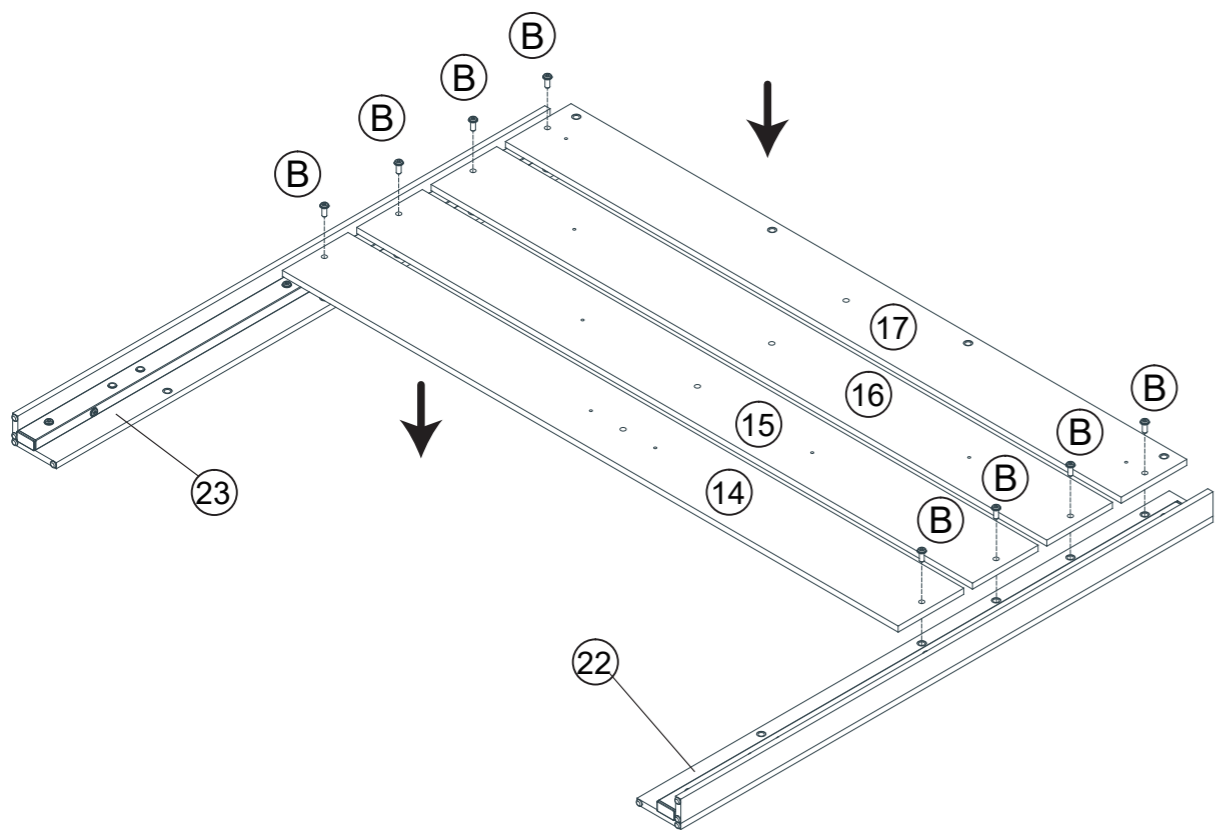
22 1PC	23 1PC	24 1PC
25 1PC	26 4PCS	27 1PC
28 1PC	29 1PC	30 1PC
L 4PCS		
A M8*12 40PCS	B M8*20 18PCS	C M8*30 6PCS
D M8*35 White zinc 20PCS	E M8*40 10PCS	F M8*48 8PCS
G ST4.2*20 8PCS	H M8 1PC	I M8*46 White zinc 4PCS

ASSEMBLY INSTRUCTIONS



ASSEMBLY INSTRUCTIONS

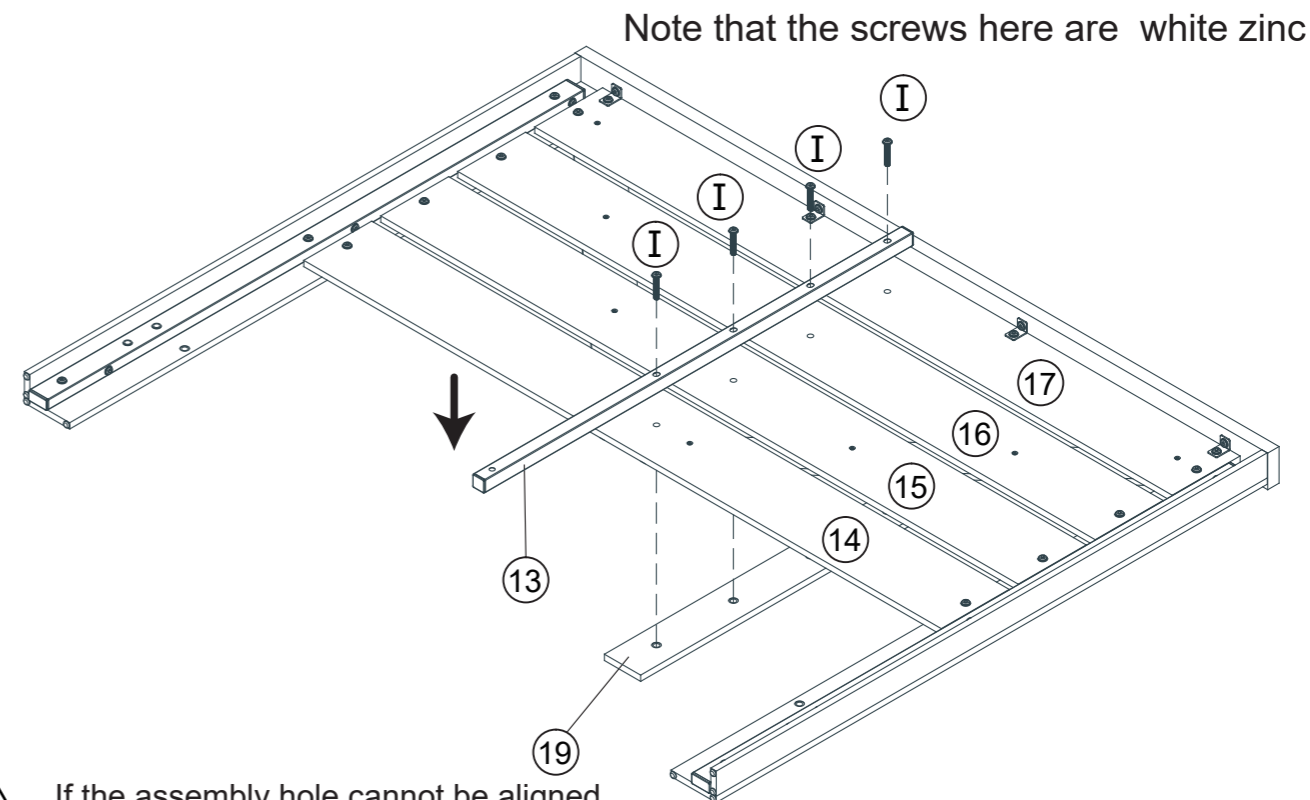
3




B  8PCS

ASSEMBLY INSTRUCTIONS

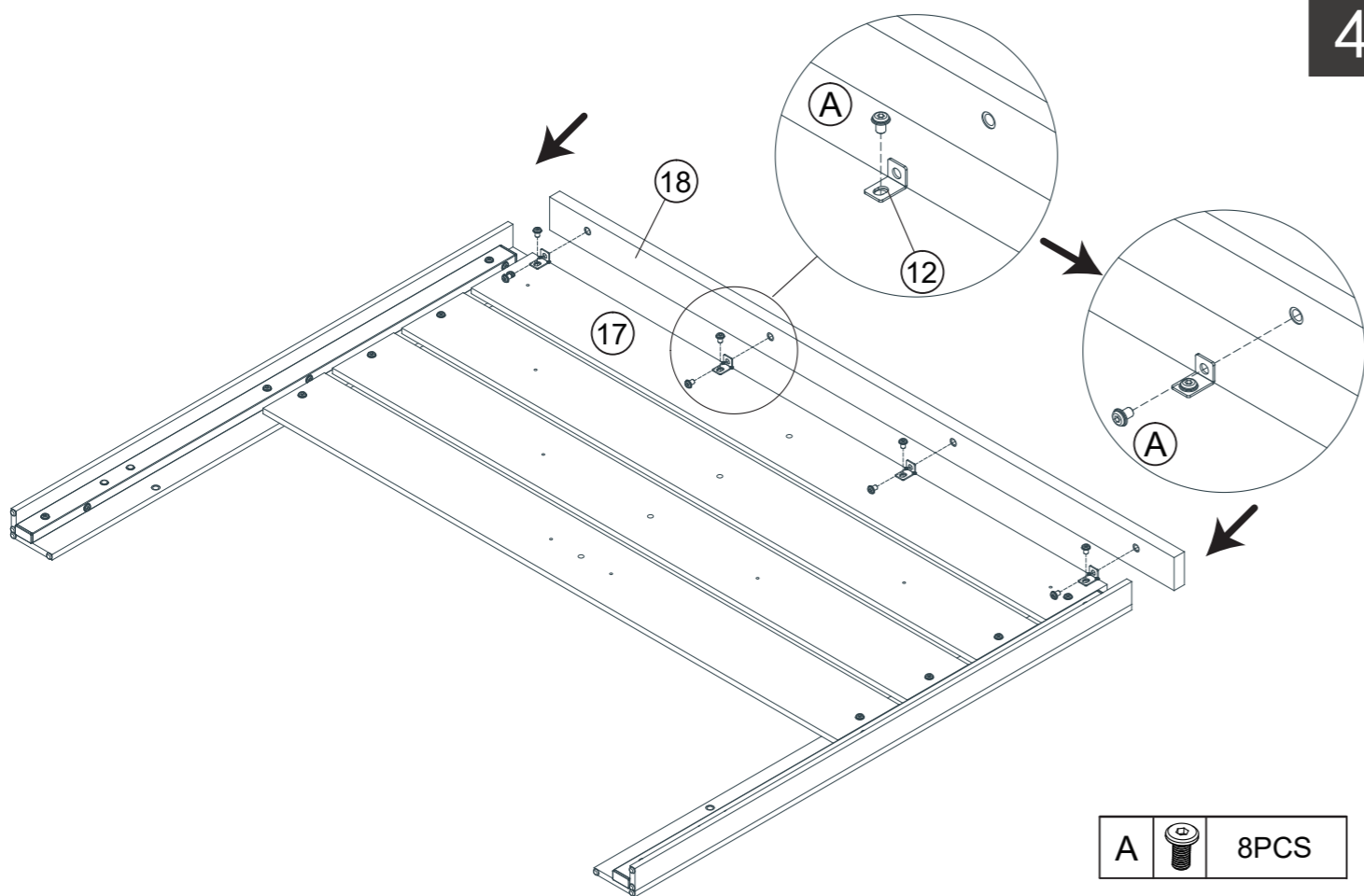
5




 If the assembly hole cannot be aligned, loosen the screws of relevant parts and adjust the assembly

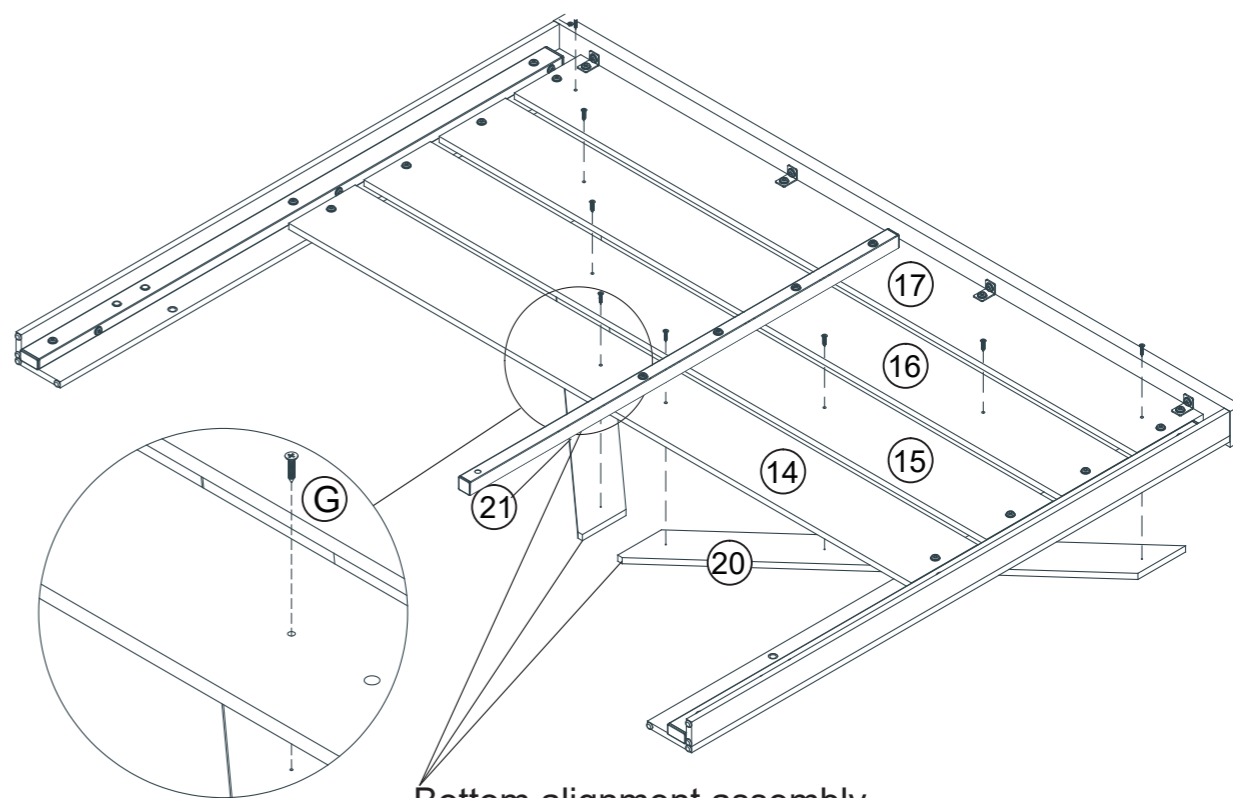
I  4PCS


4




A  8PCS

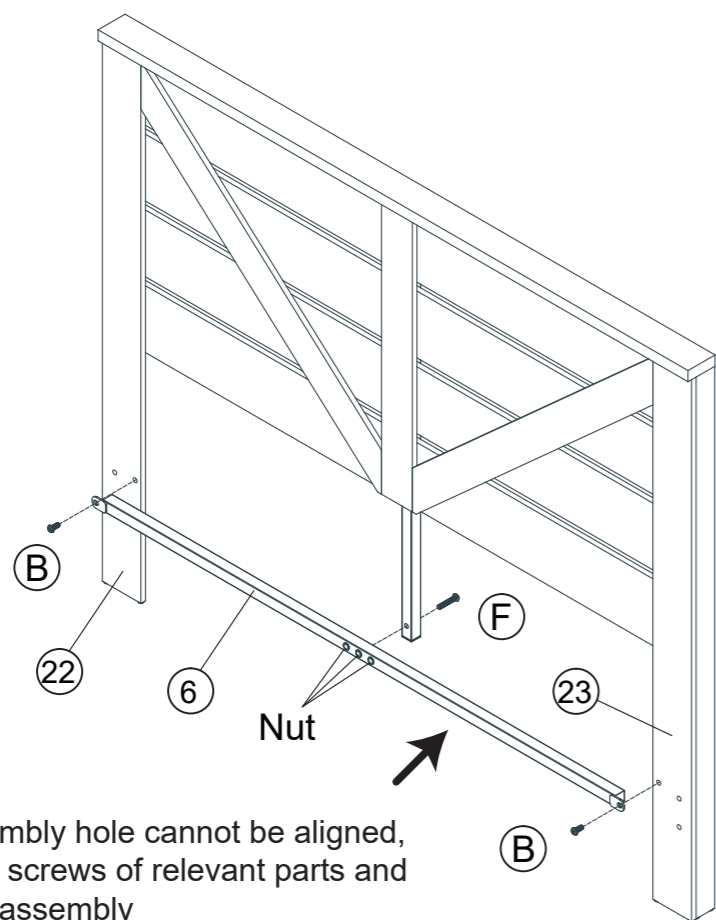
6



 Bottom alignment assembly
If the bottom of the part 14/20/21 are not aligned, loosen the screws on the left and right sides of the part 14/15/16/17, then align the bottom of the part 14/20/21, tighten the screws at last

G  8PCS

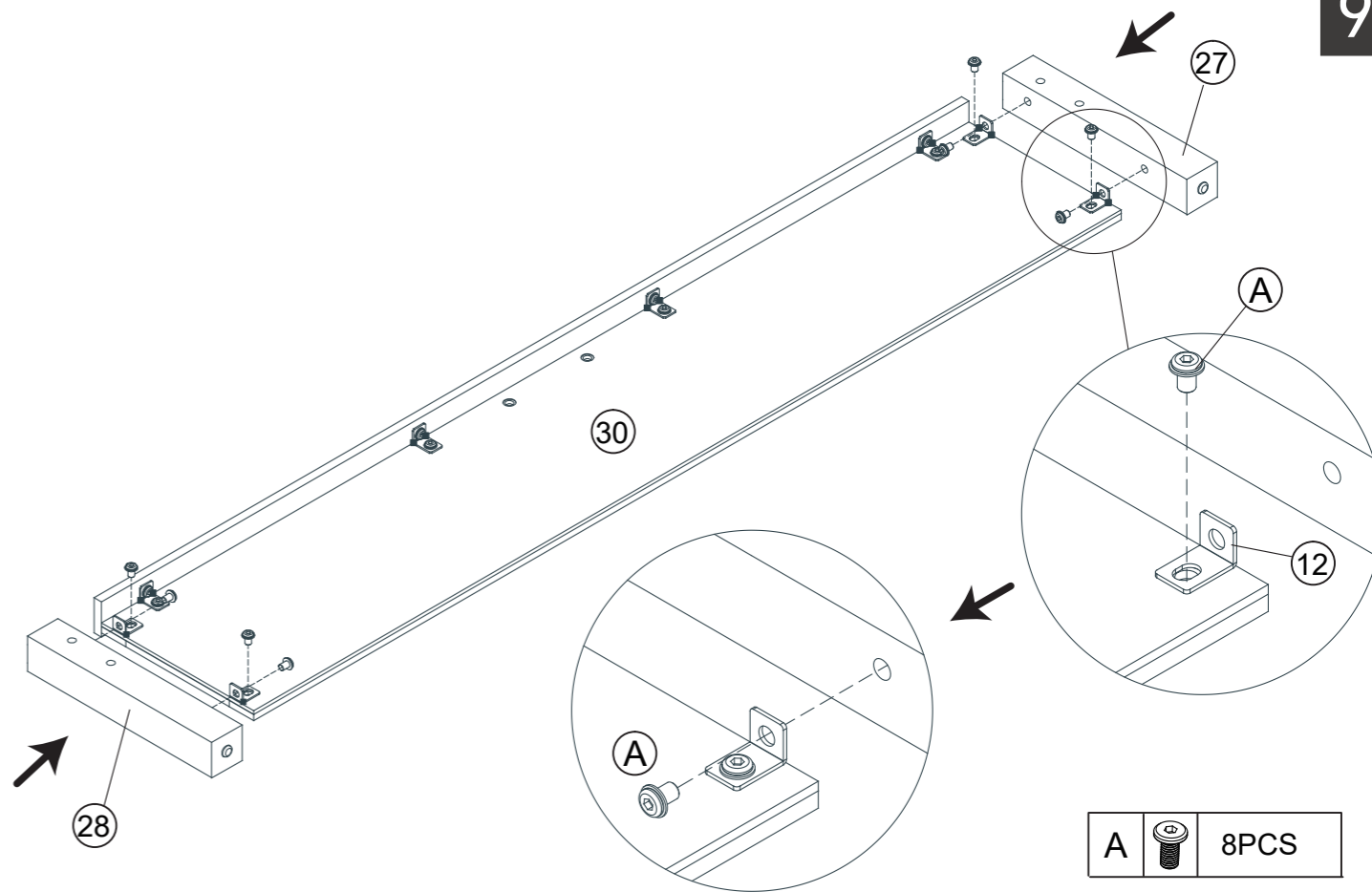
7



! If the assembly hole cannot be aligned, loosen the screws of relevant parts and adjust the assembly

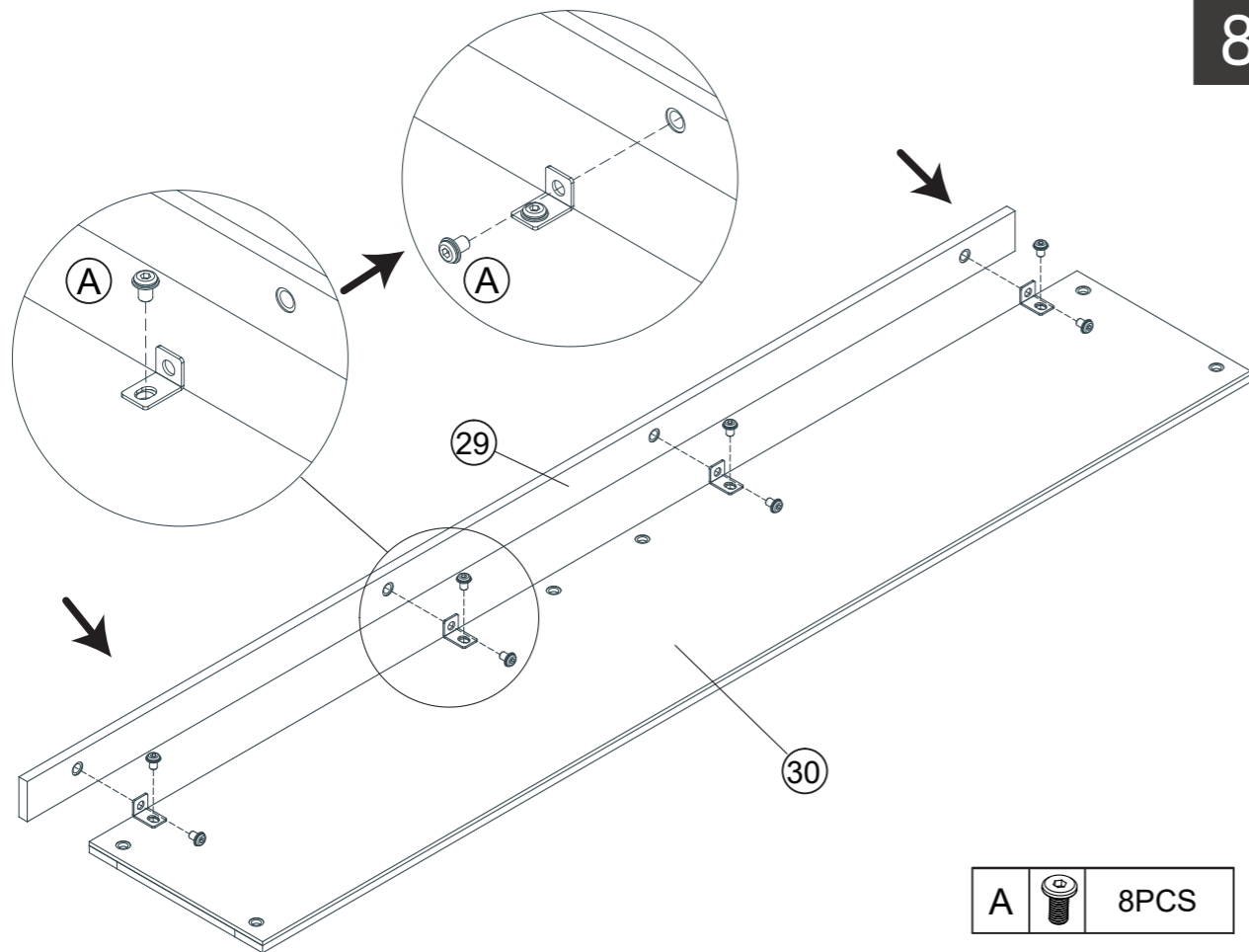
B		2PCS
F		1PC

9



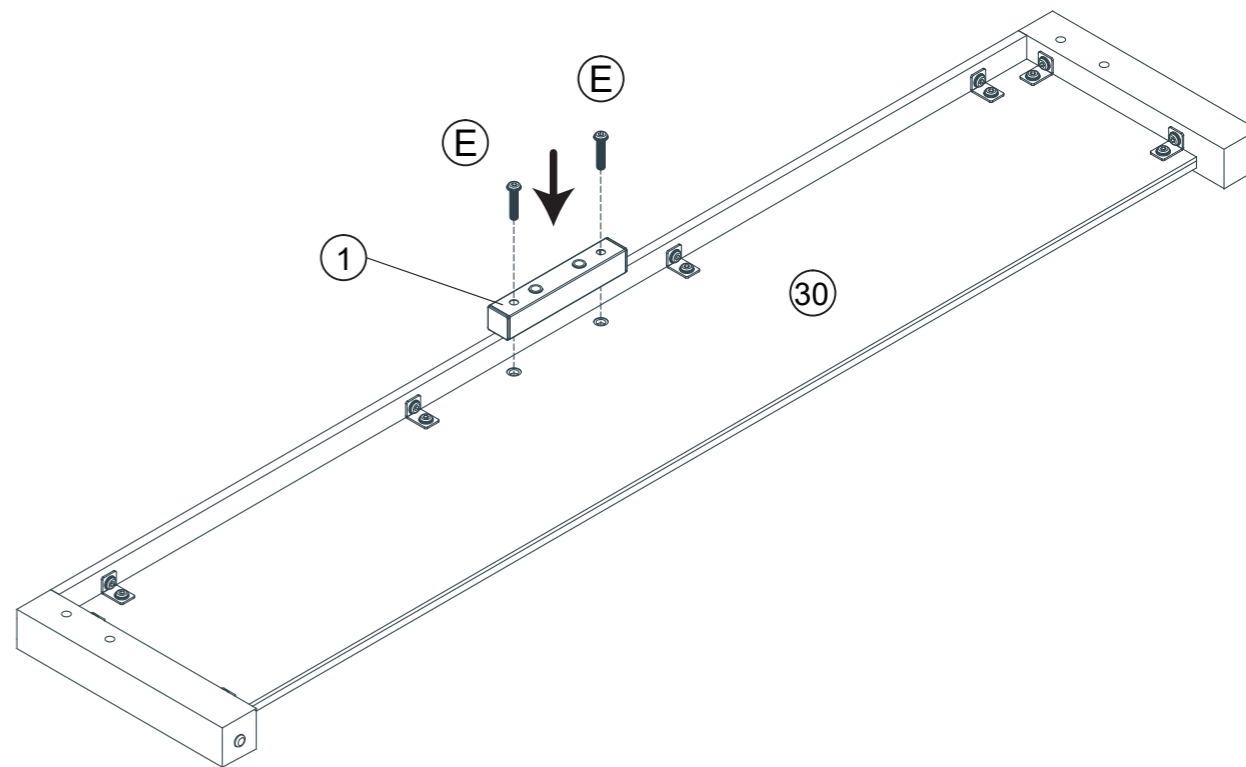
A		8PCS
---	--	------

8



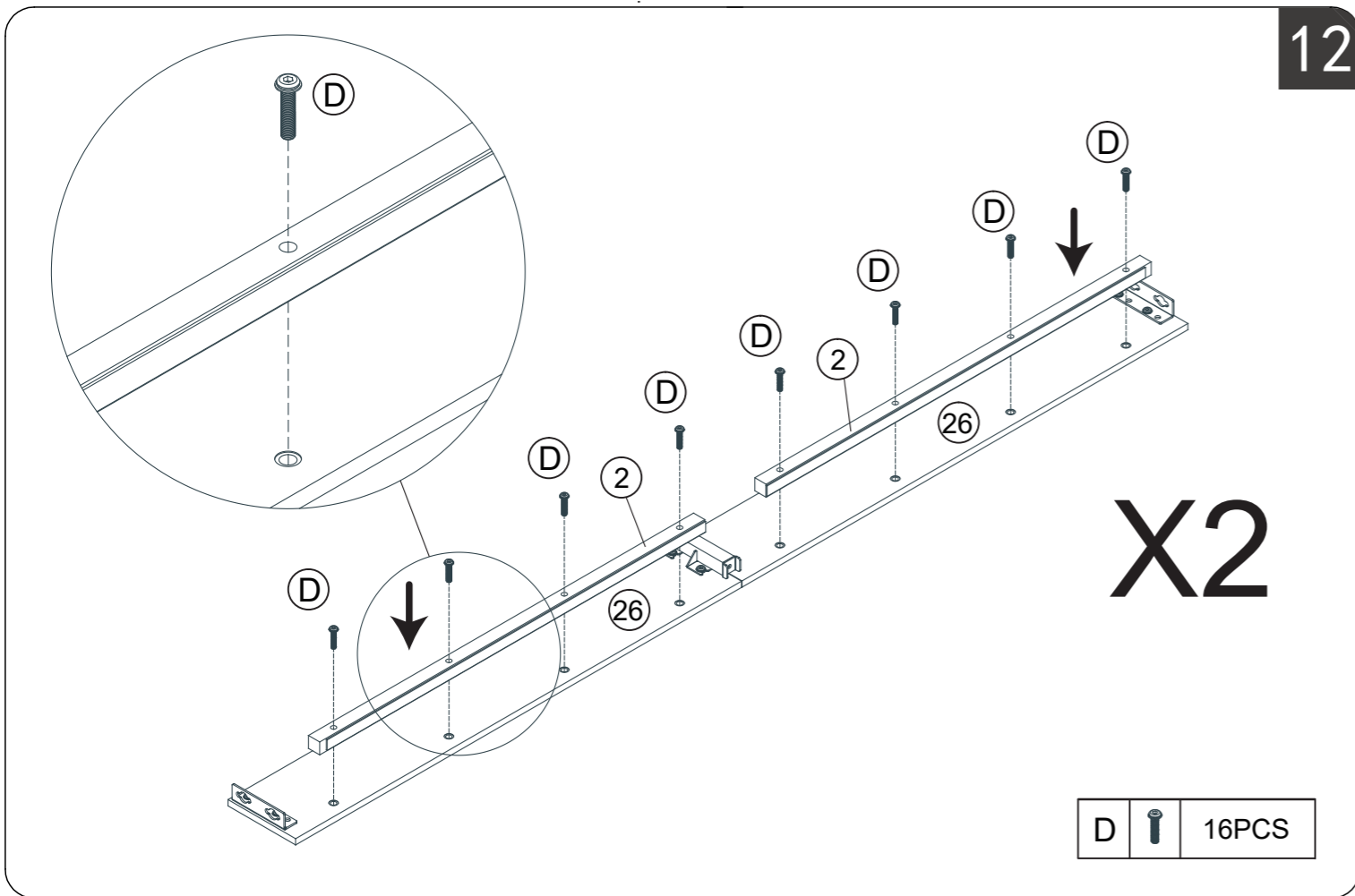
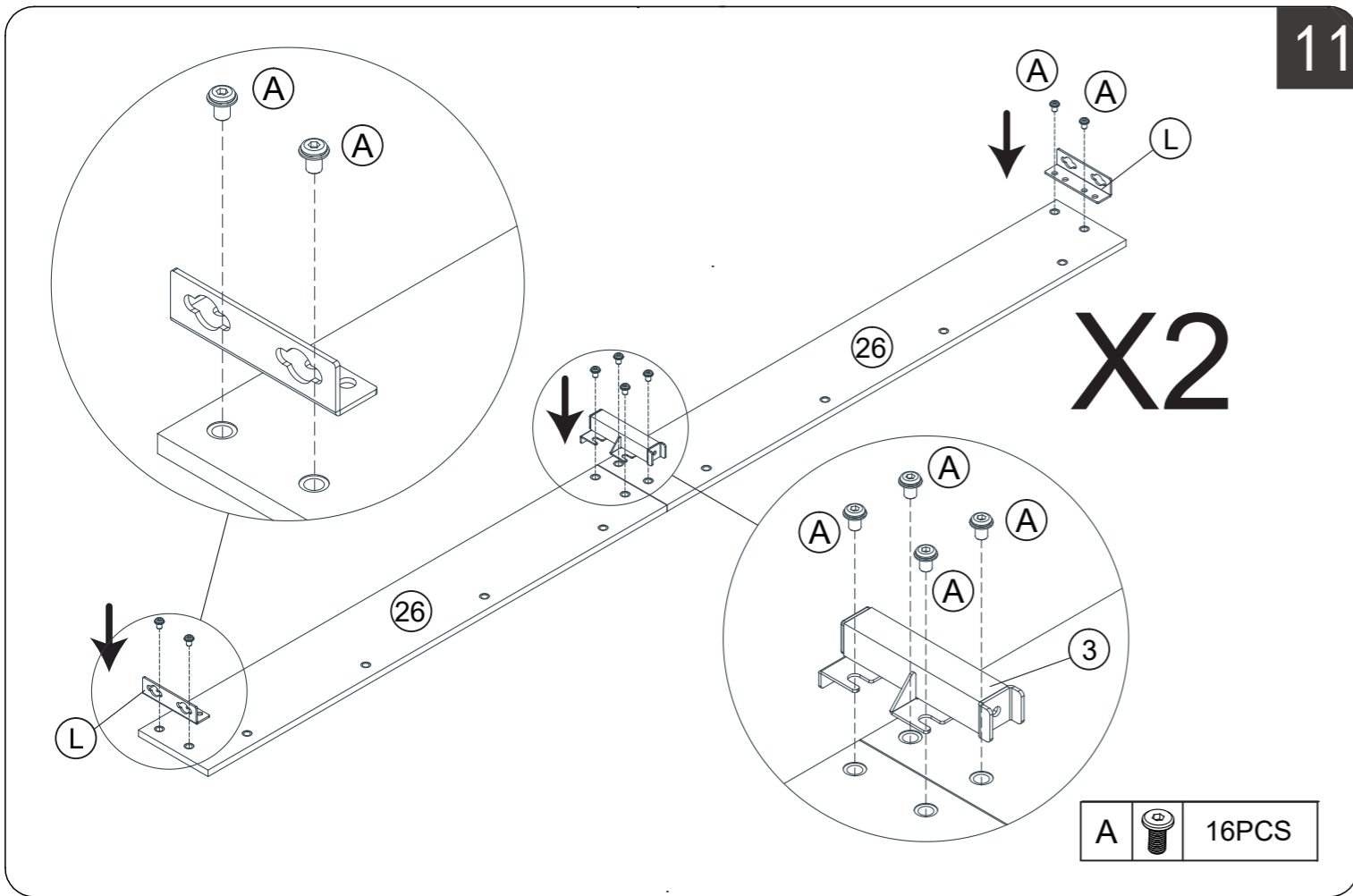
A		8PCS
---	--	------

10

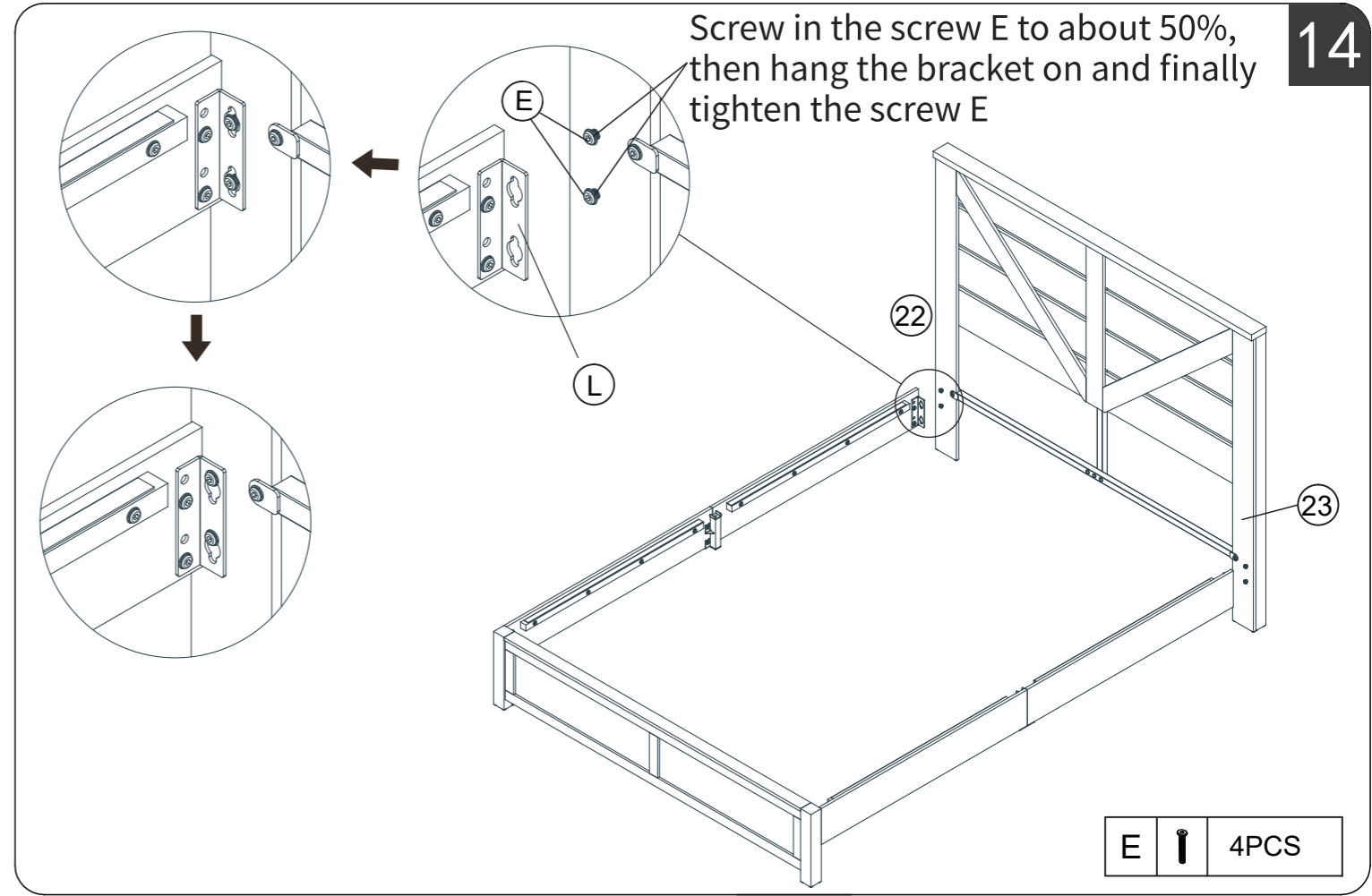
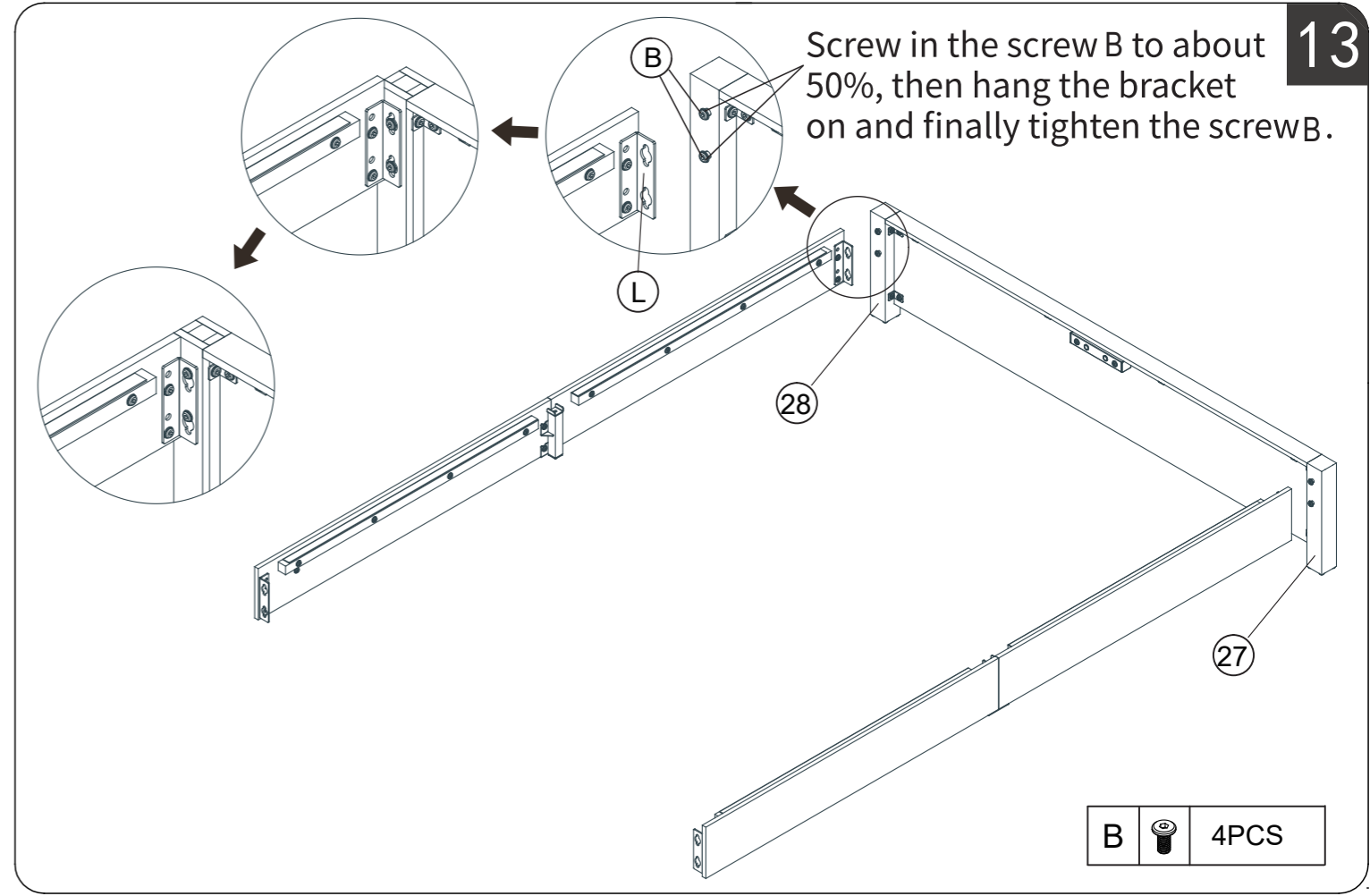


E		2PCS
---	--	------

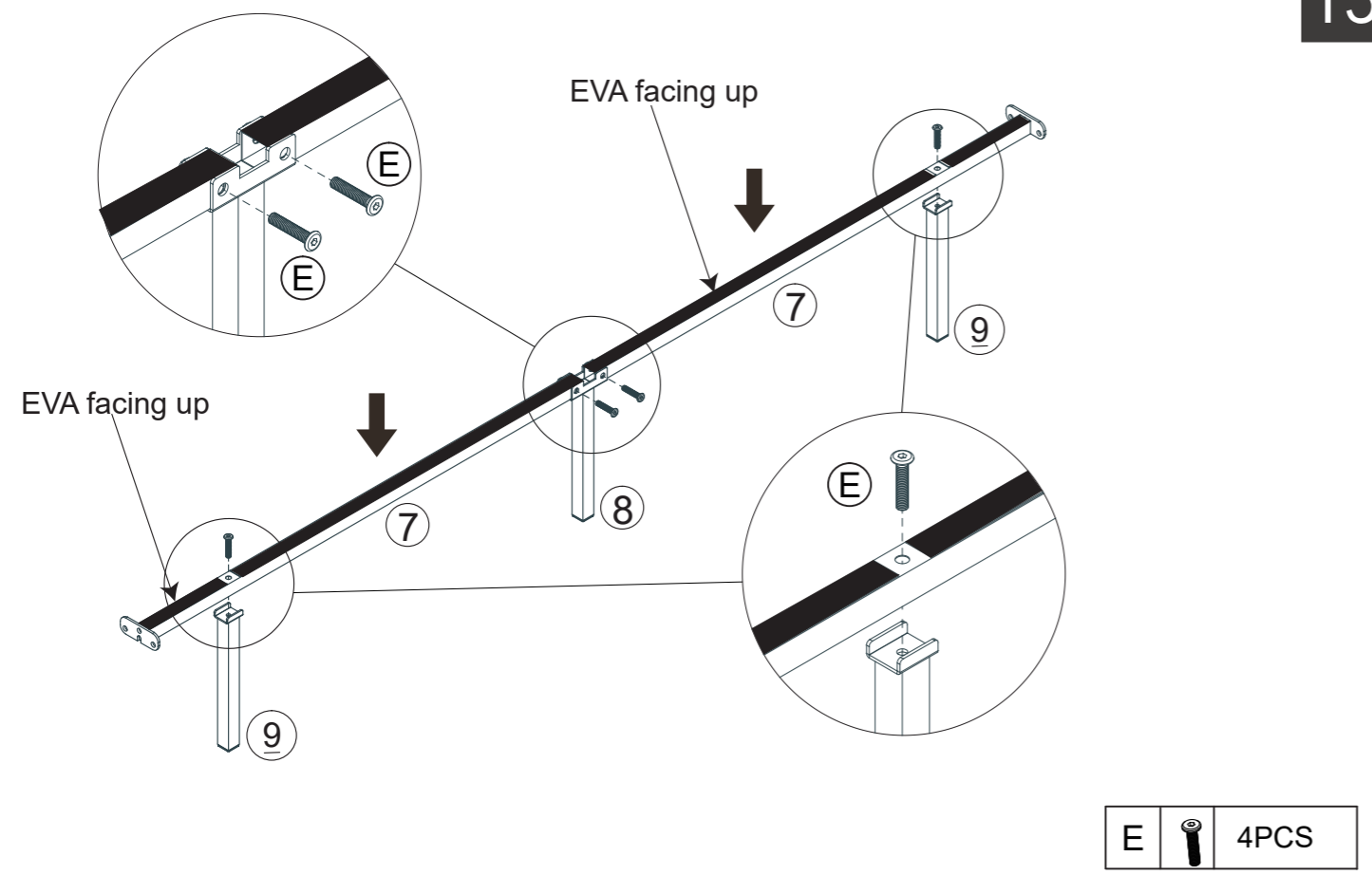
ASSEMBLY INSTRUCTIONS



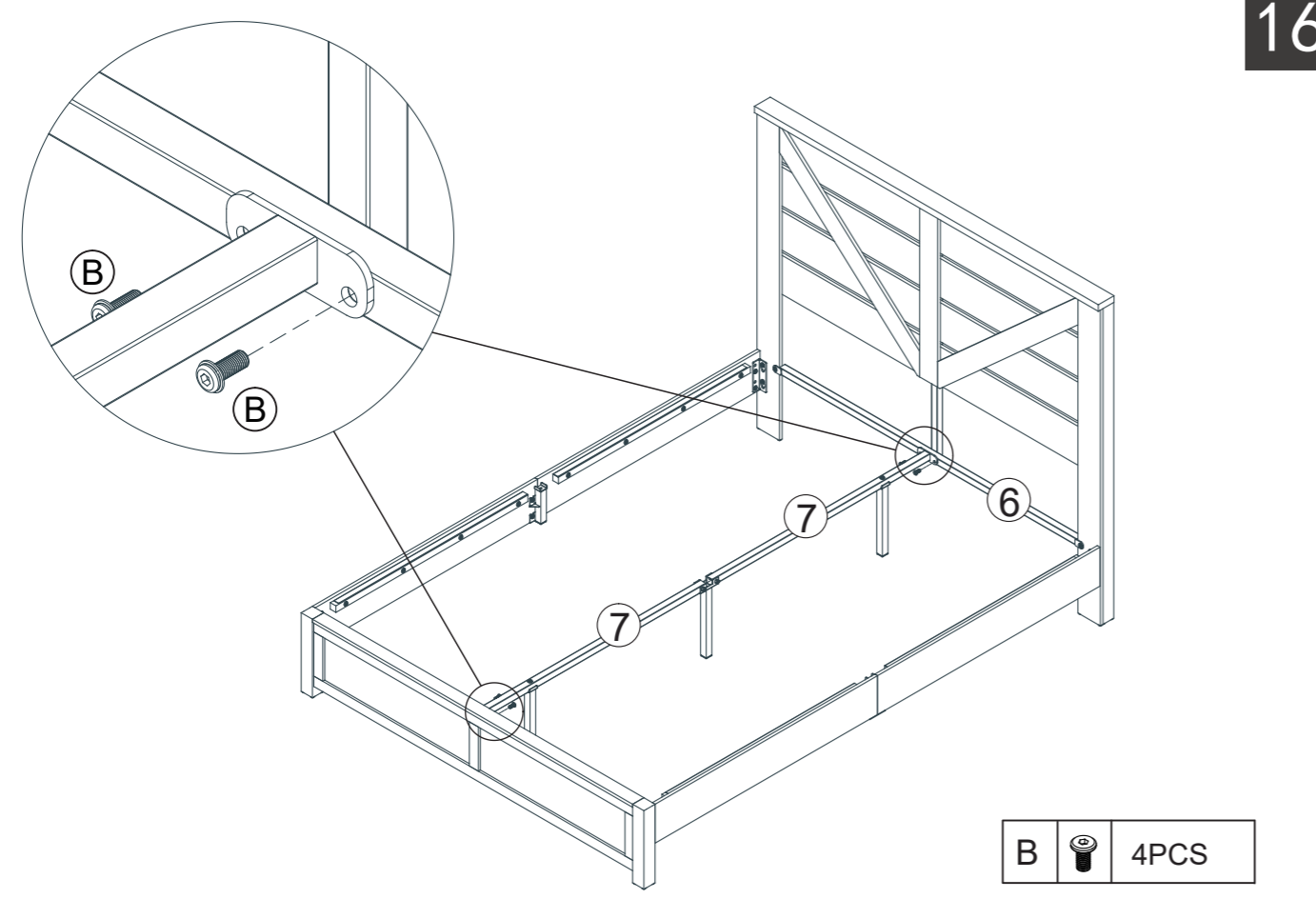
ASSEMBLY INSTRUCTIONS



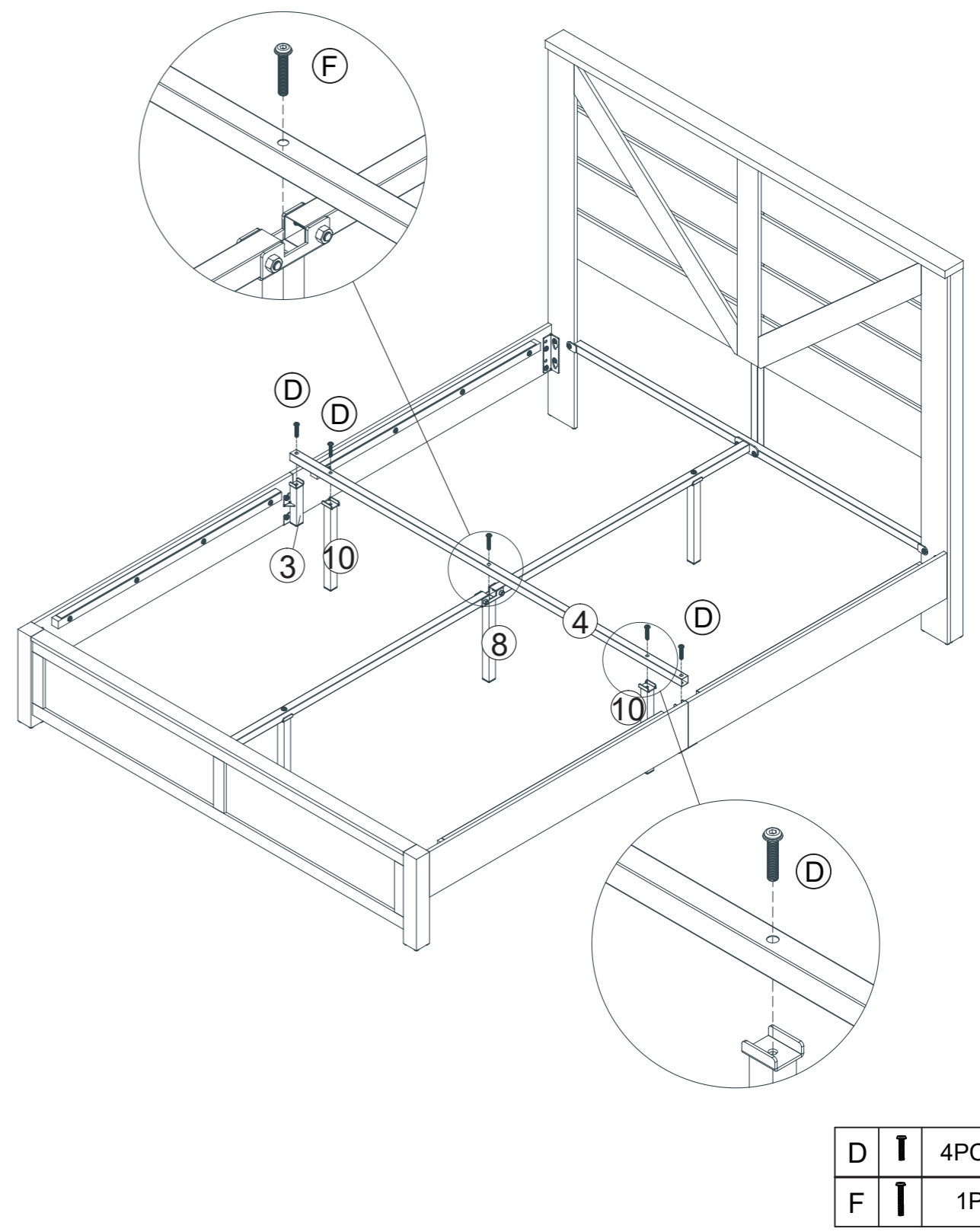
15



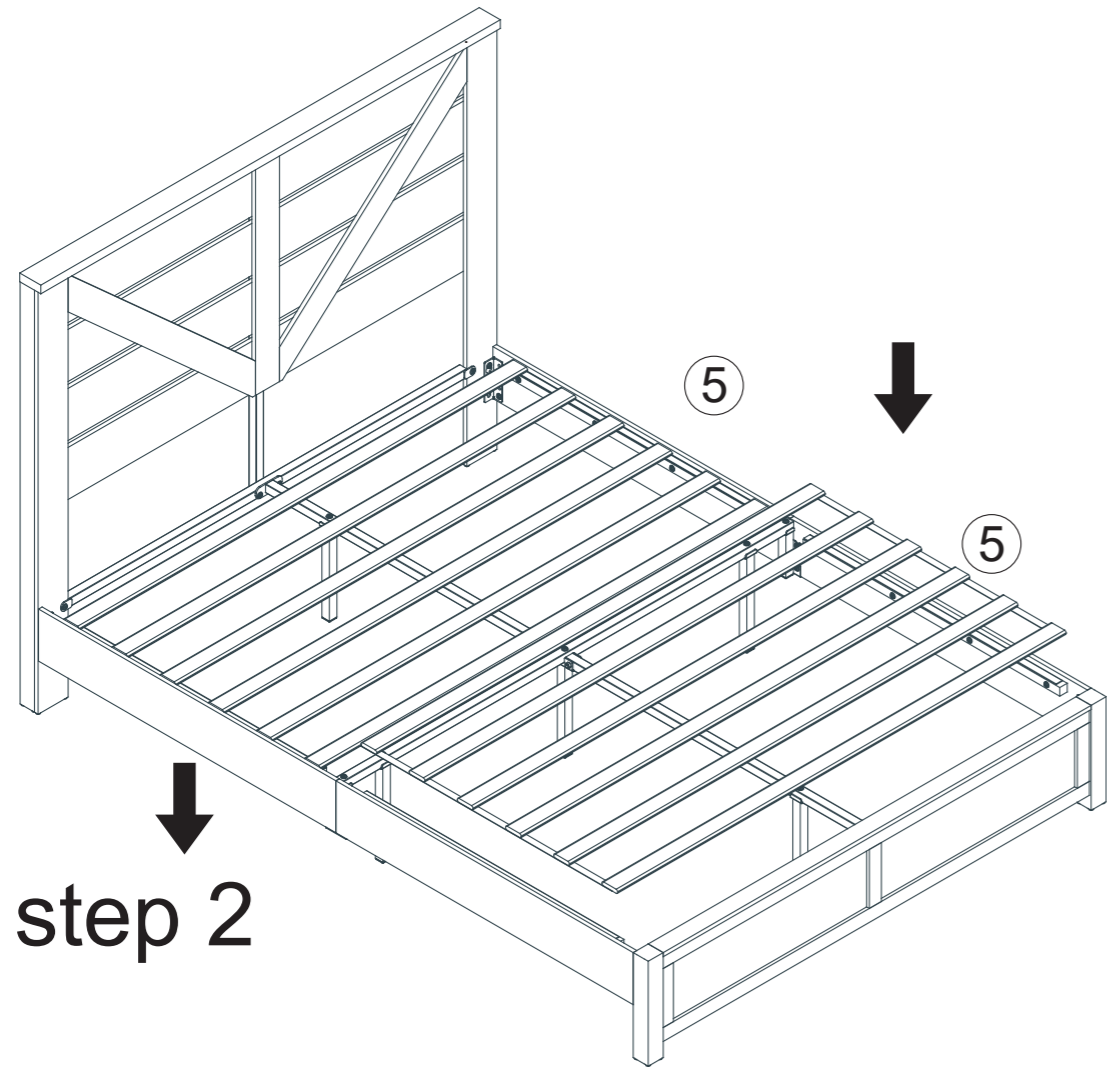
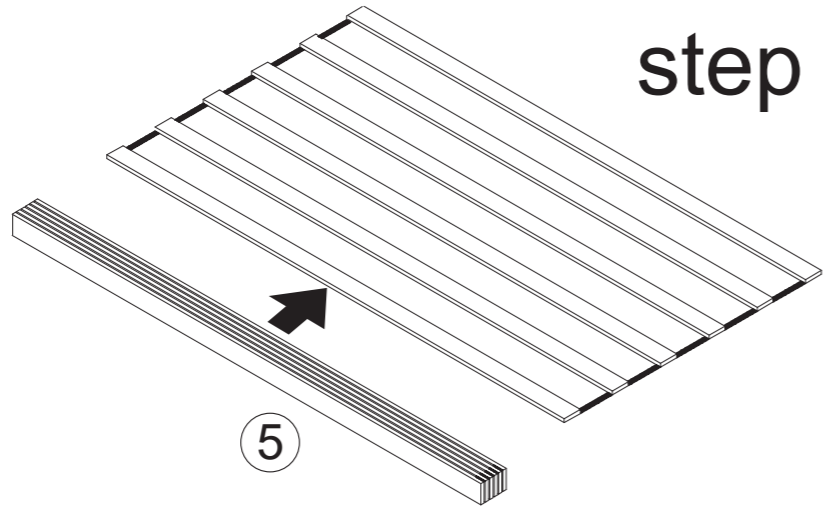
16



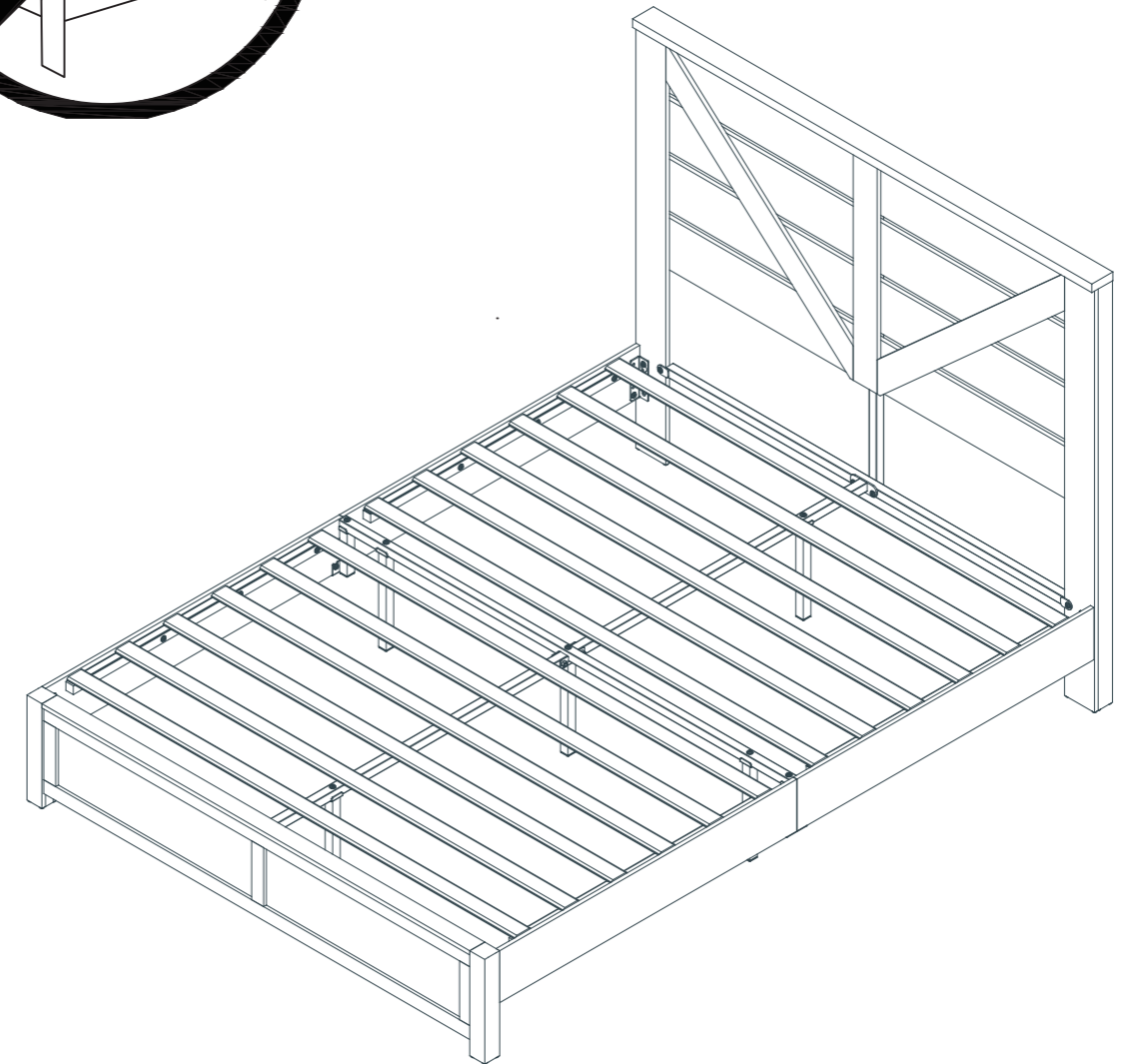
17



step 1



step 2



Installation Complete