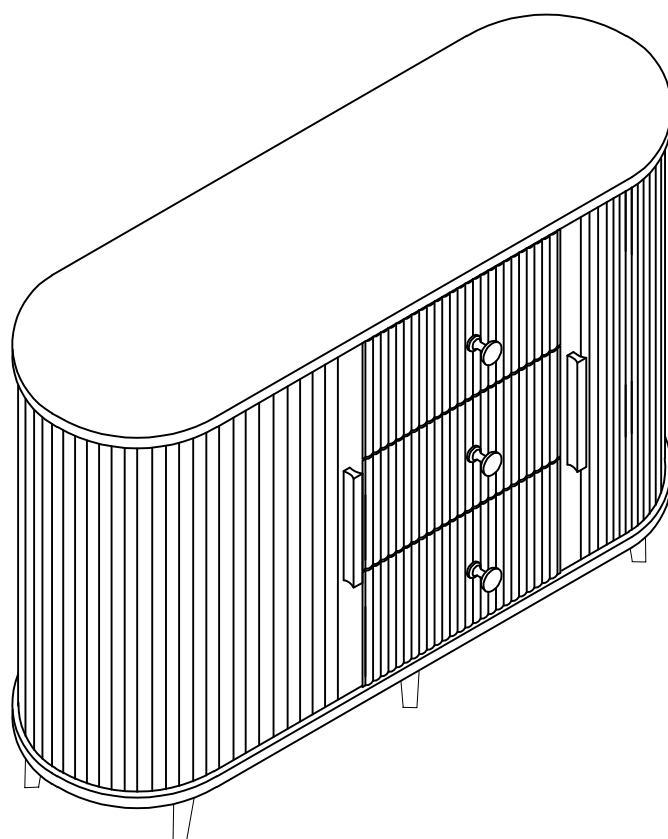
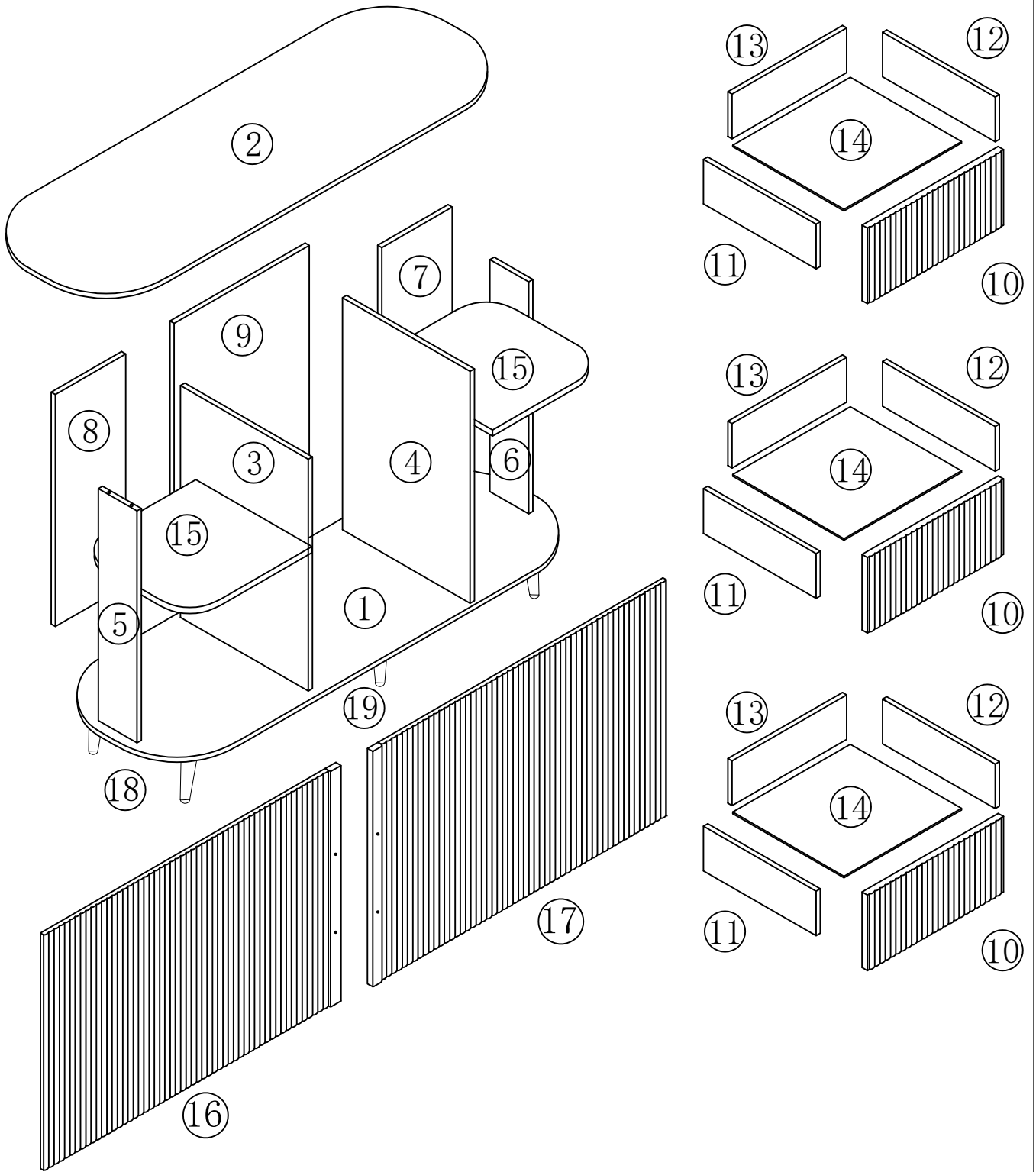



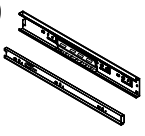








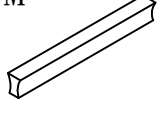

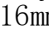
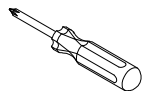



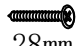




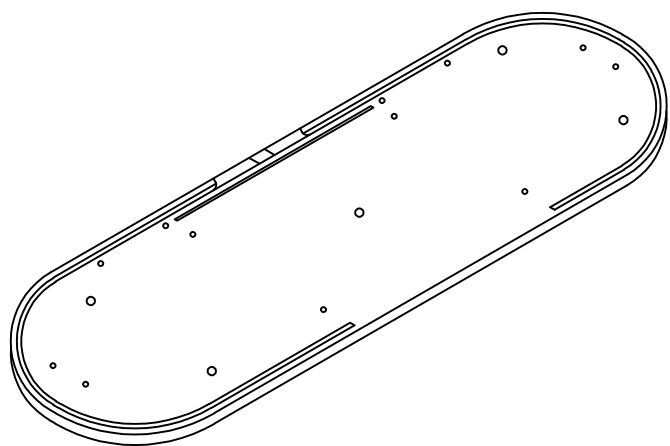
Assembly Instructions





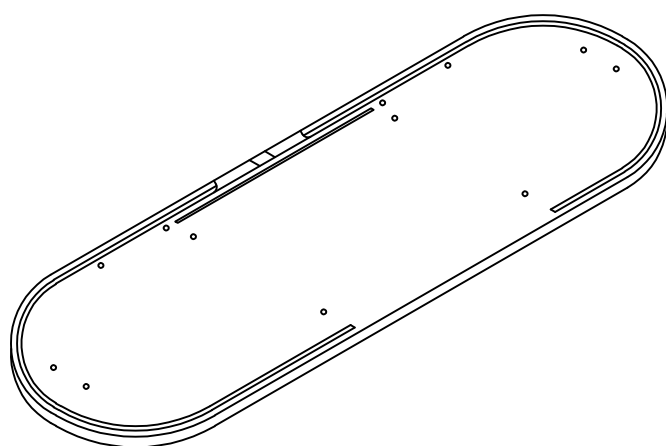
A  12mm x24+(3)	B  x6	C  14mm x6+(1)	D  x6	E  25mm x5	F  x3	G  40mm x24+(1)	H  ø15 x24+(1)
I  28mm x12+(1)	J  ø12 x12+(1)	K  40mm x12+(1)	L  20mm x3	M  x2	N  x8	O  16mm x4	P 
Q 	KK  x2	LL  14mm x2	MM  28mm x2	NN  x4	OO  x2		

1



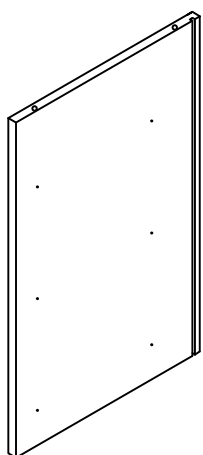
x1

2



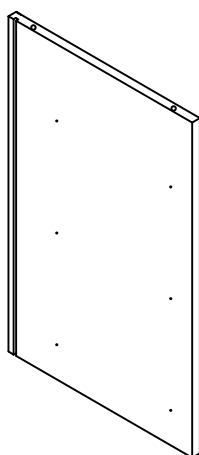
x1

3



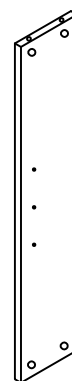
x1

4



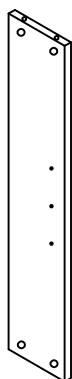
x1

5



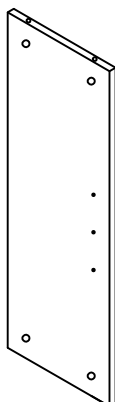
x1

6



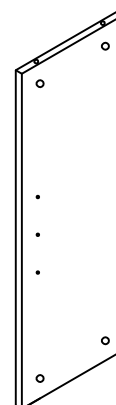
x1

7



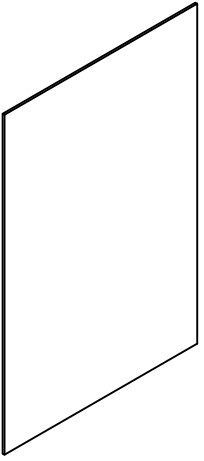
x1

8



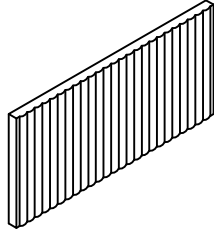
x1

9



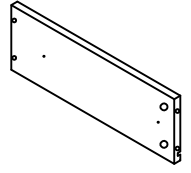
x1

10



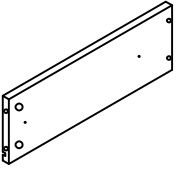
x3

11



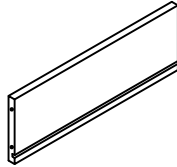
x3

12



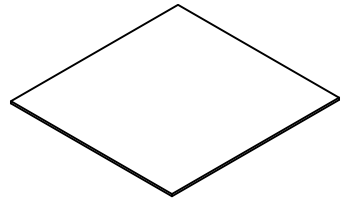
x3

13



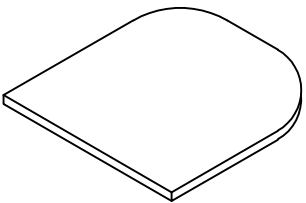
x3

14



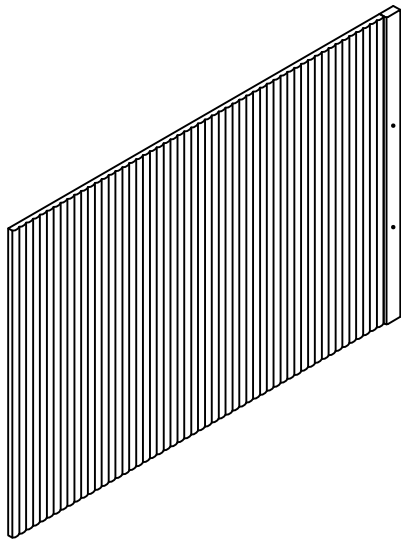
x3

15



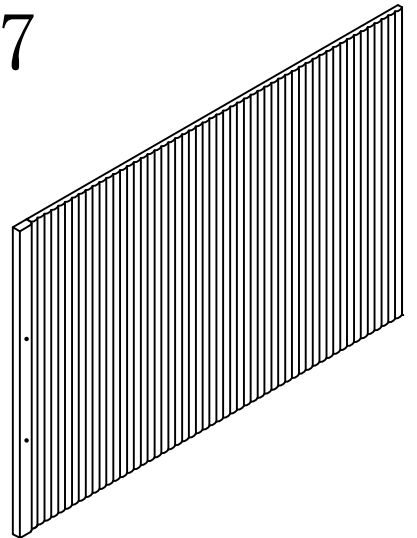
x2

16



x1

17



x1

18



x4

19

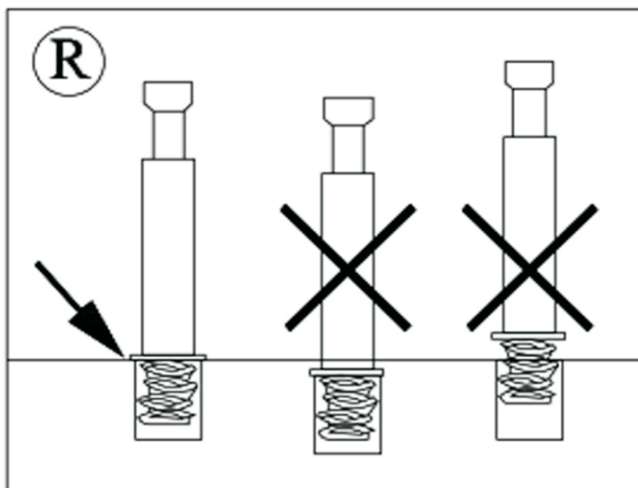
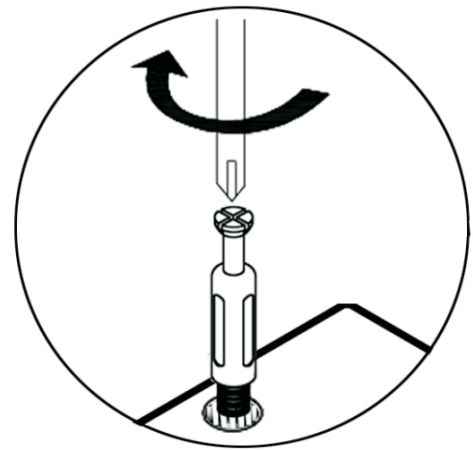
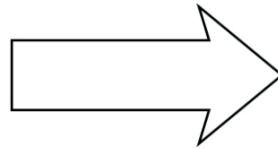
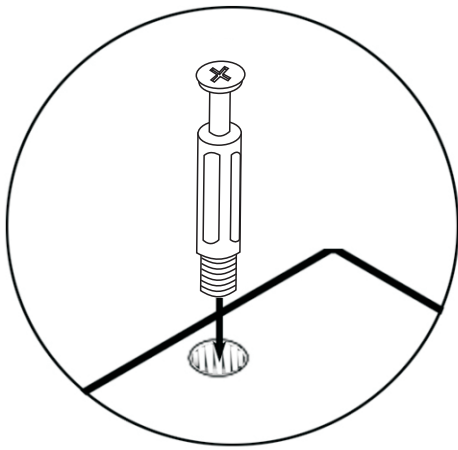


x1



Hardware installation demonstration

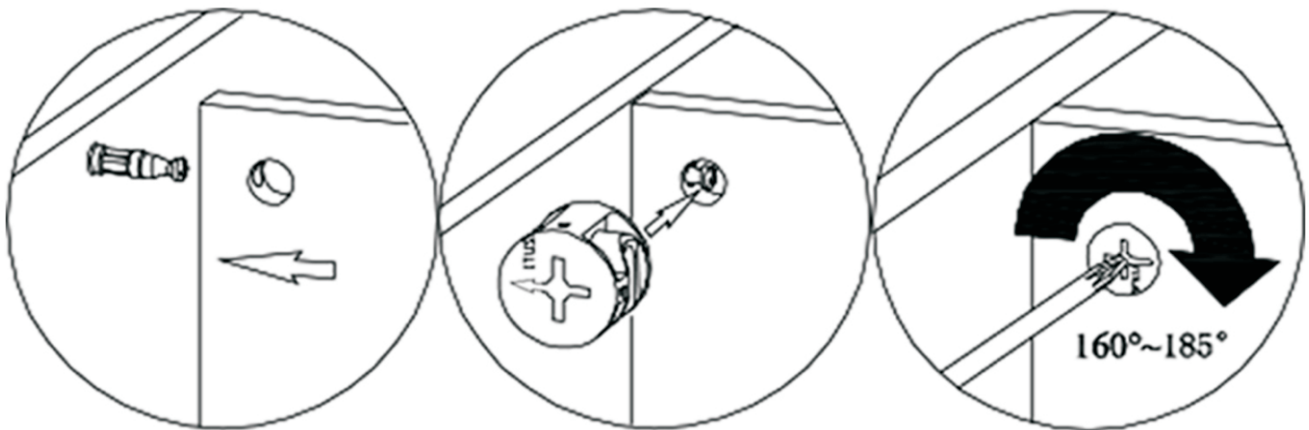
- Please make sure G.I hardware tightened and can't be pulled out





Hardware installation demonstration

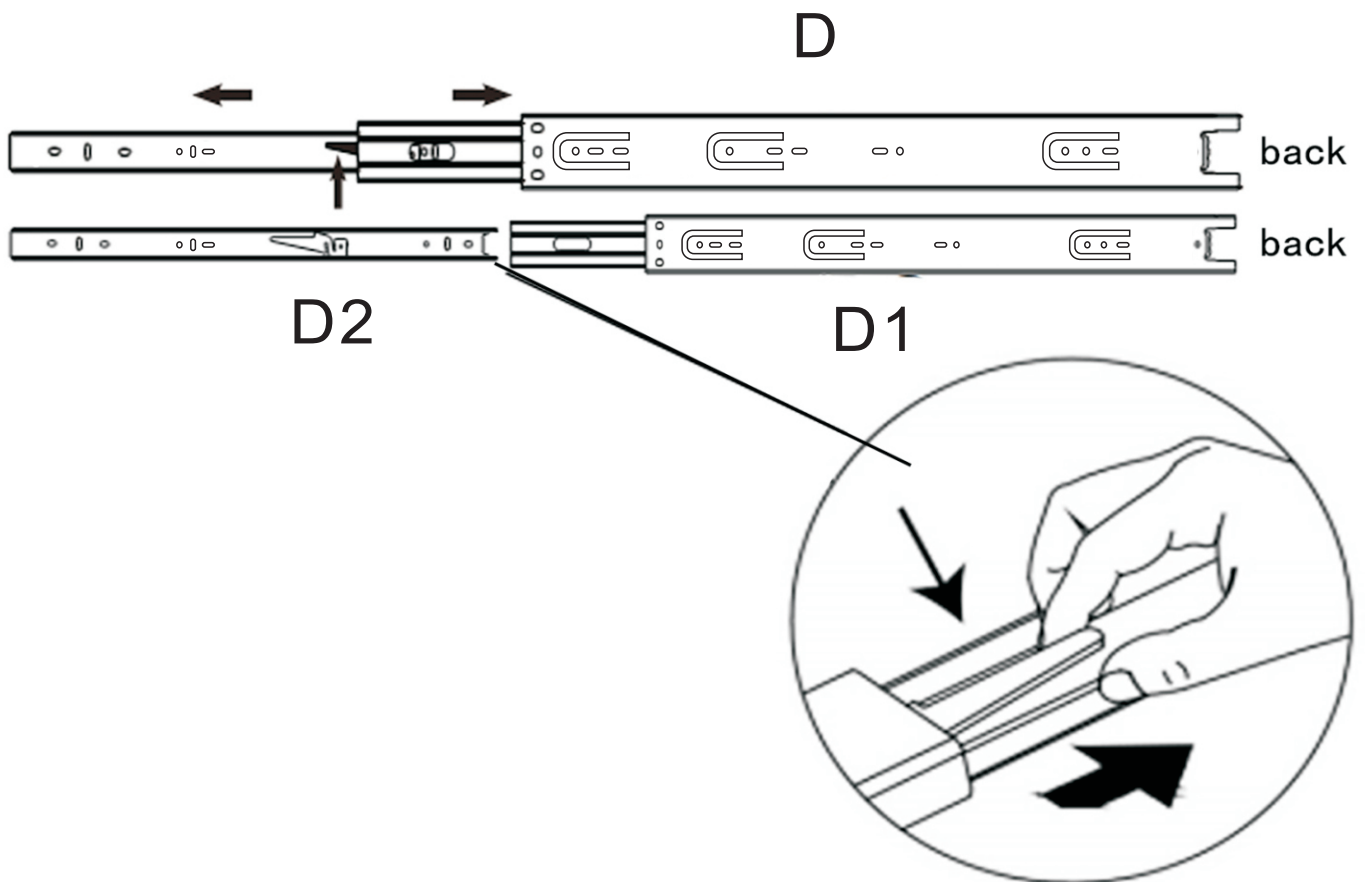
- When inserting cam ensure arrowhead on cam points toward to the hole on the panel edge





Hardware installation demonstration

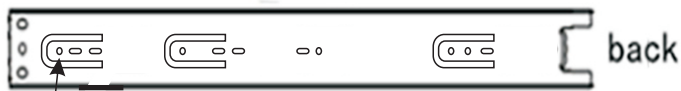
- Before installing the drawer rail, you need to separate the D1 and D2 first.



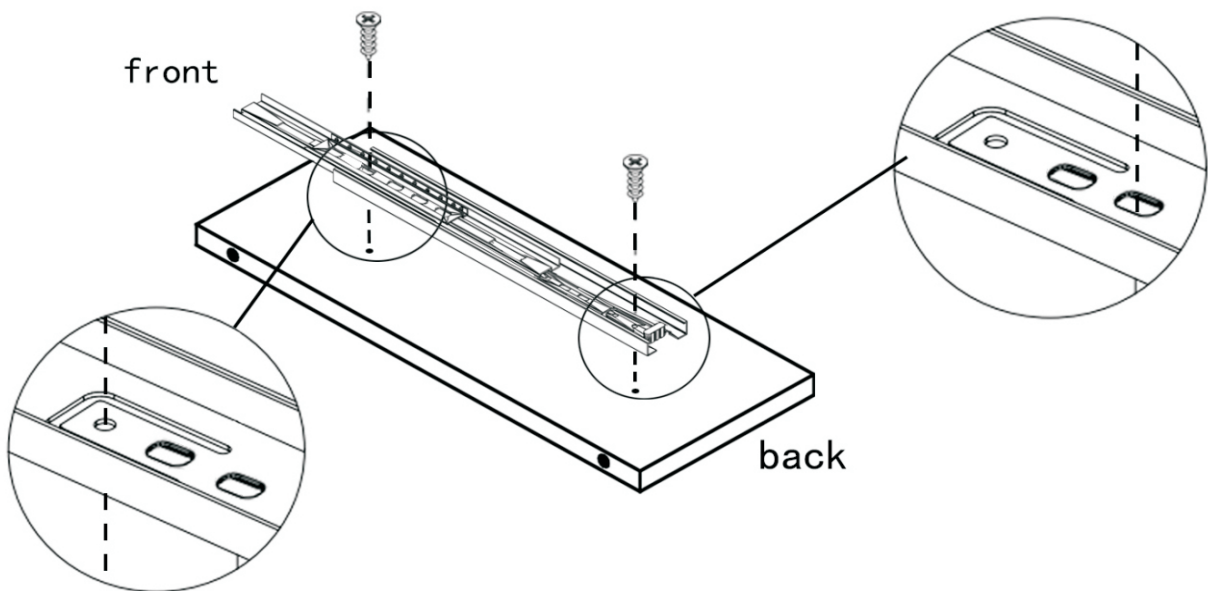
Warm Reminder: Press it and split



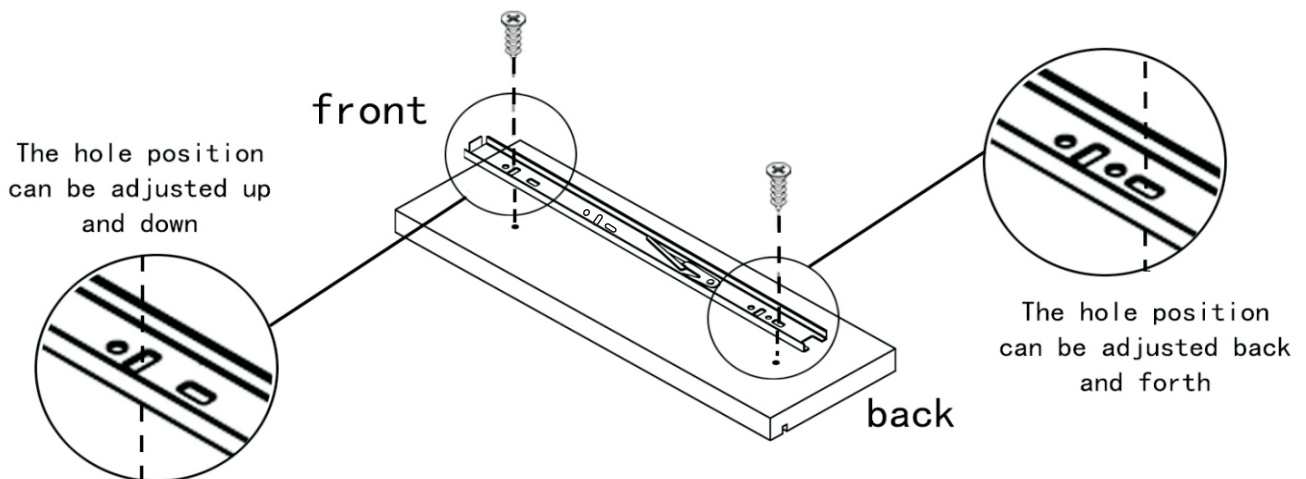
Hardware installation demonstration



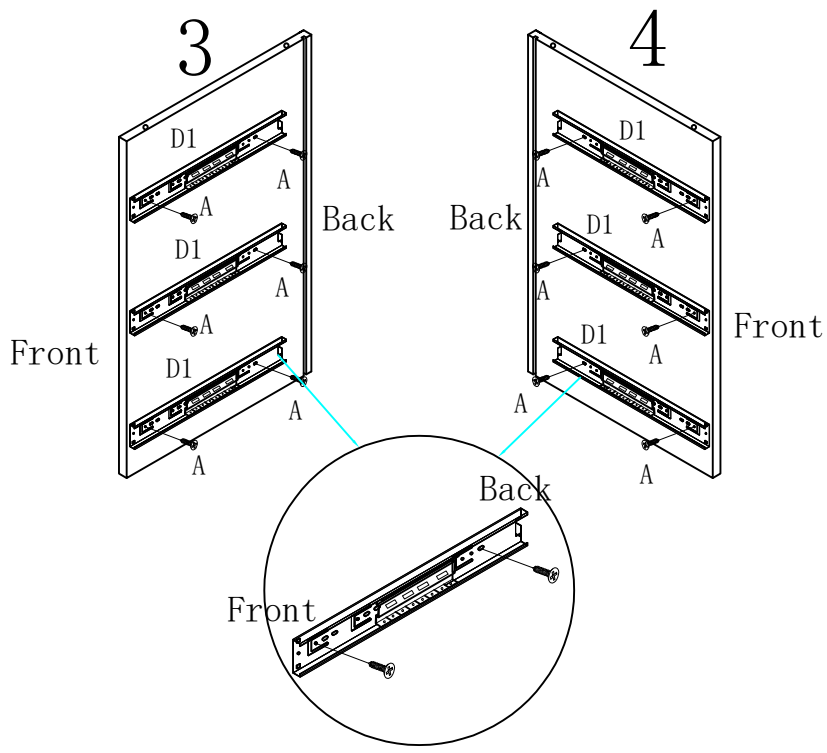
The first screw hole should corresponded with the board location hole


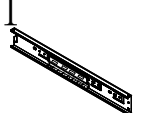


The first screw hole should corresponded with the board location hole

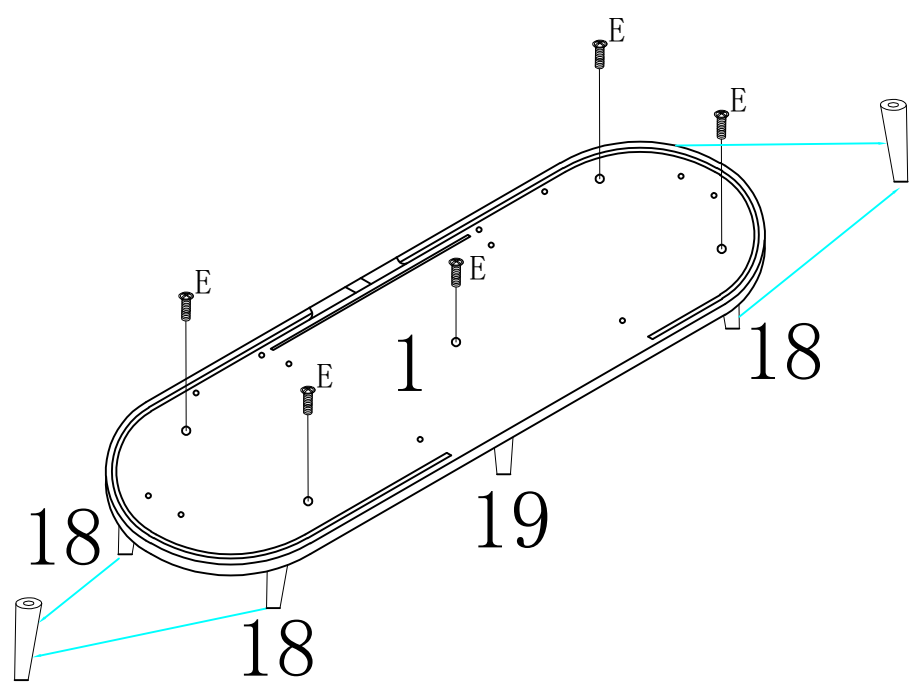



Step01



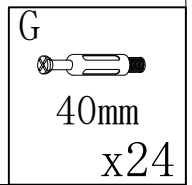
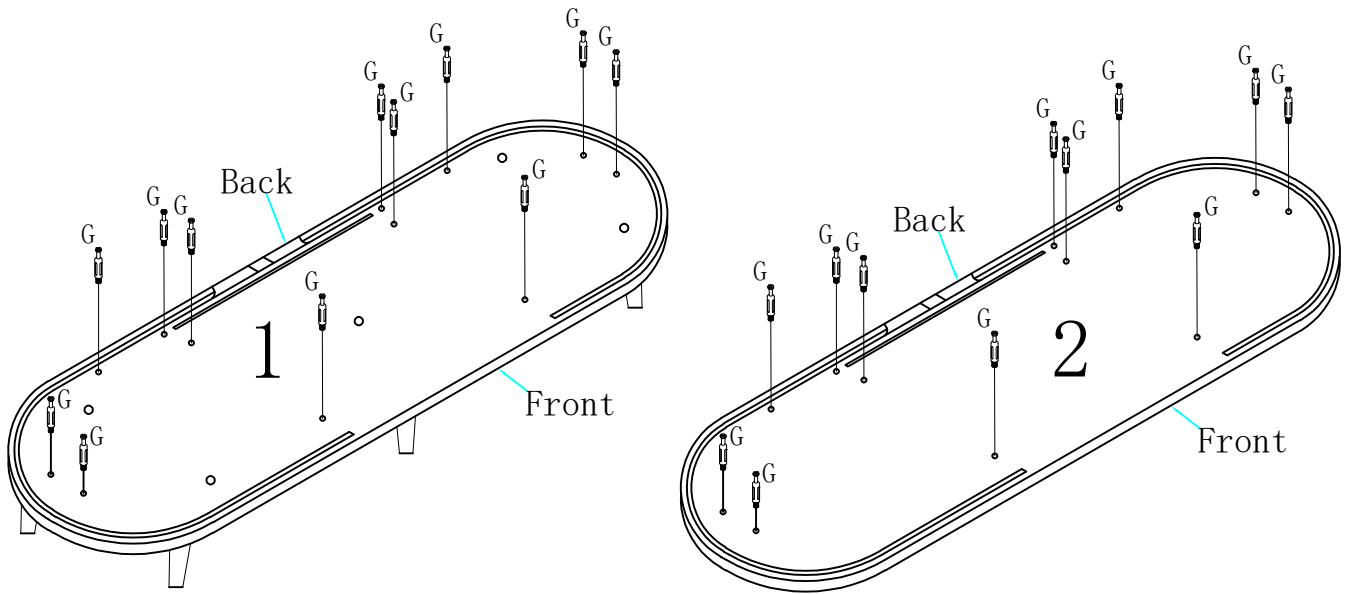
A		D1	
	12mm		x6
	x12		

Step02

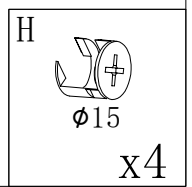
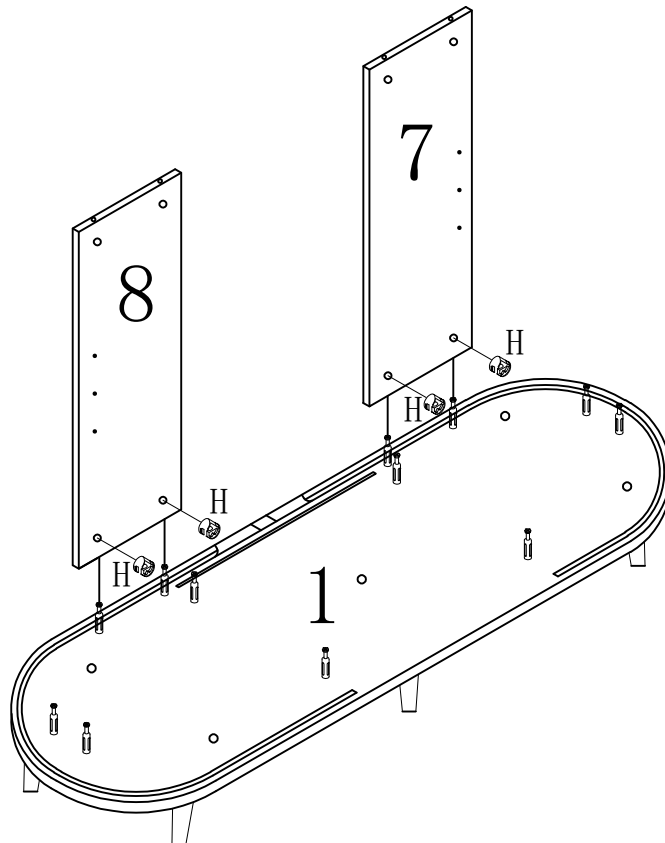


E	
	23mm
	x5

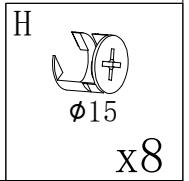
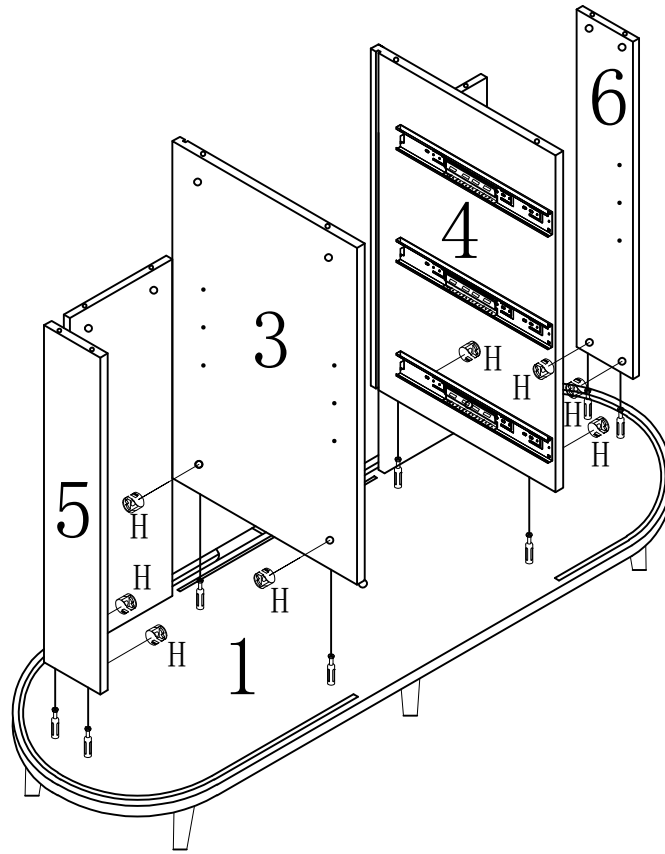
Step03



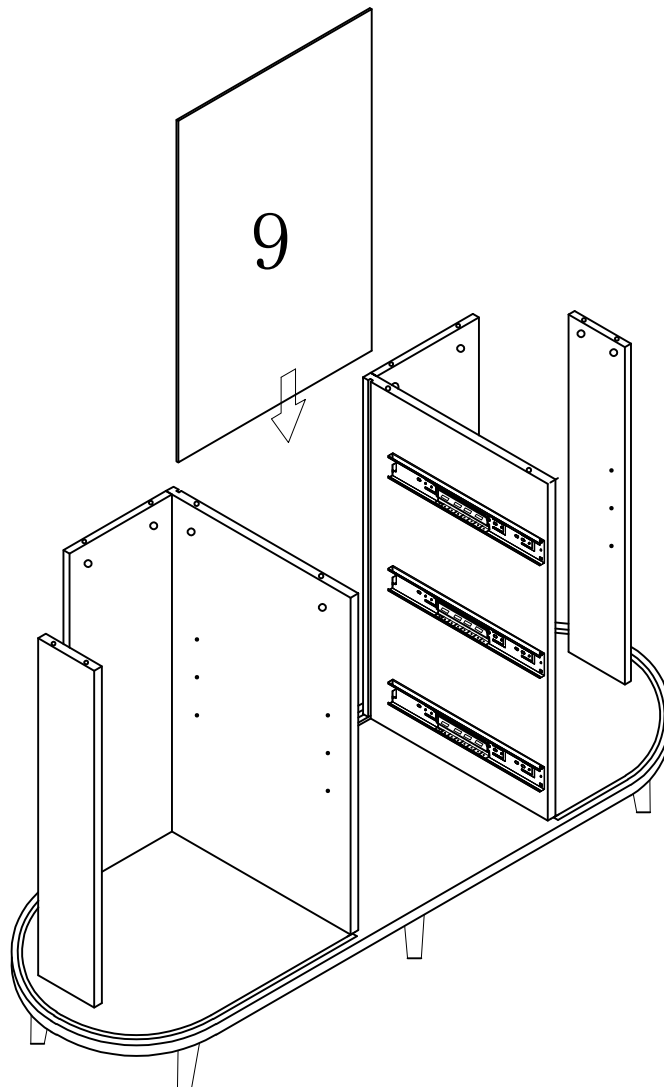
Step04



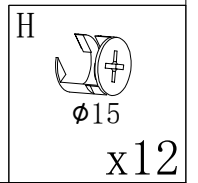
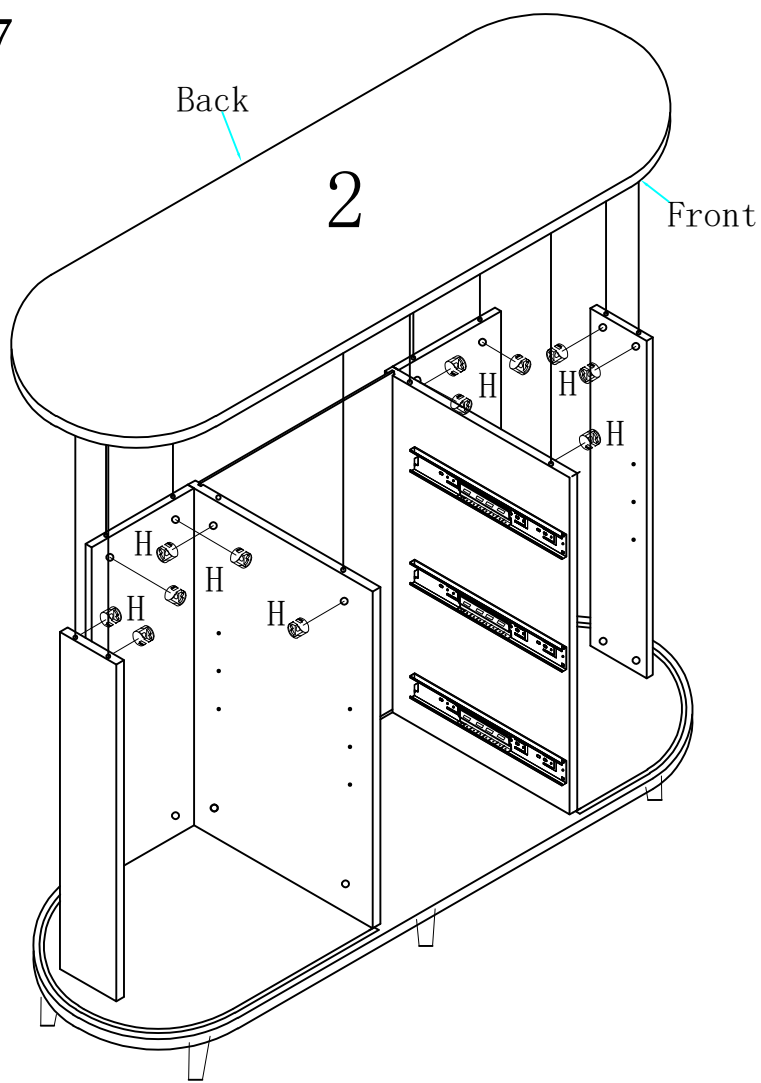
Step05



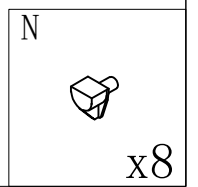
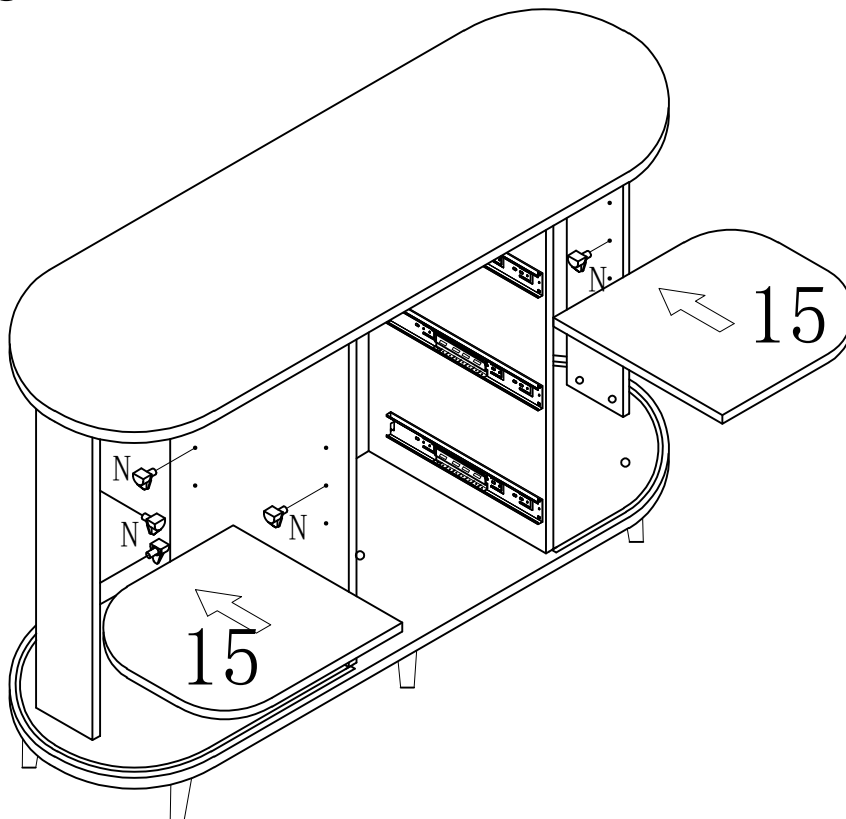
Step06



Step07

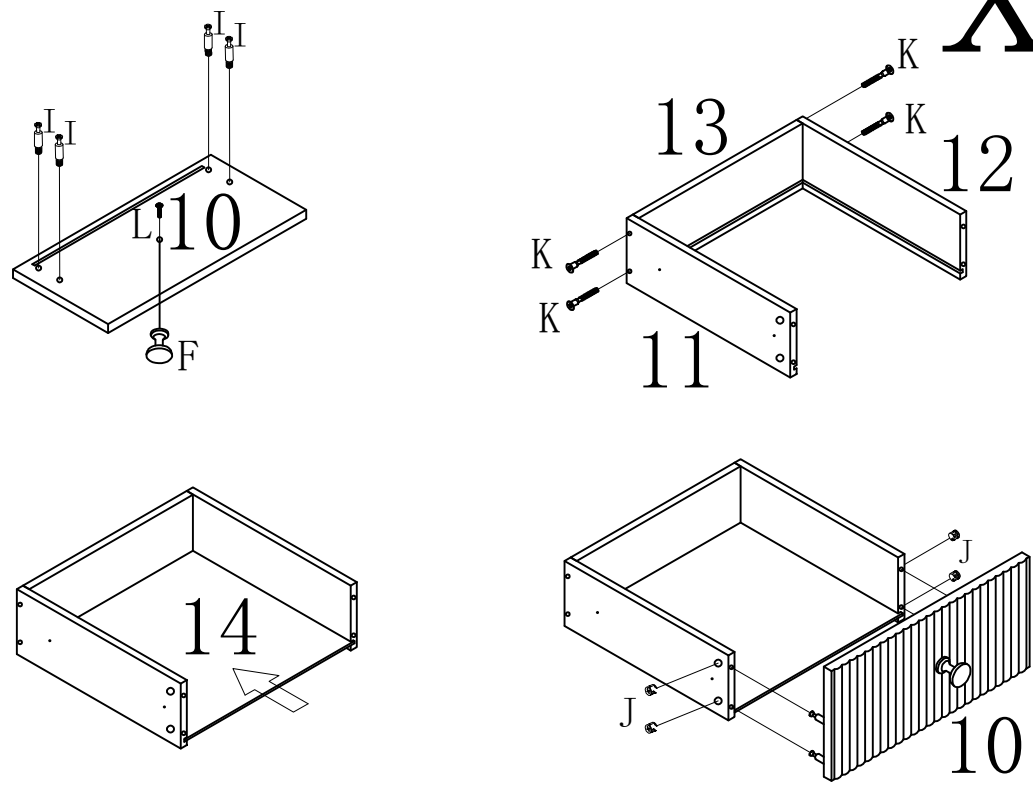


Step08



Step09

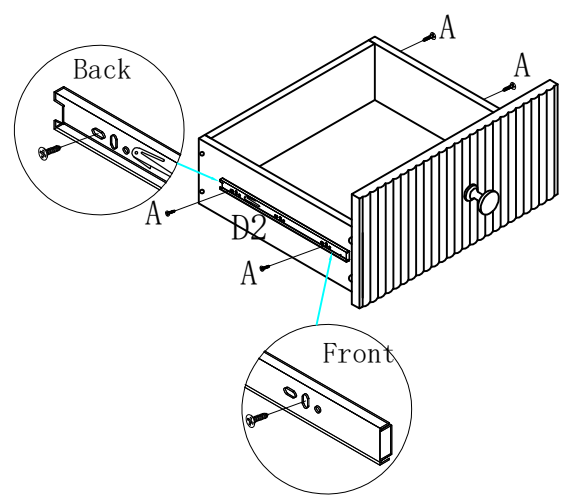
x3



F	I	J	K	L
x3	x12	x12	x12	x3

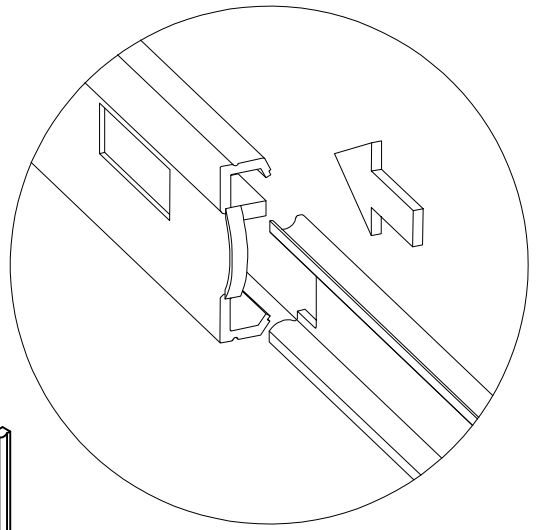
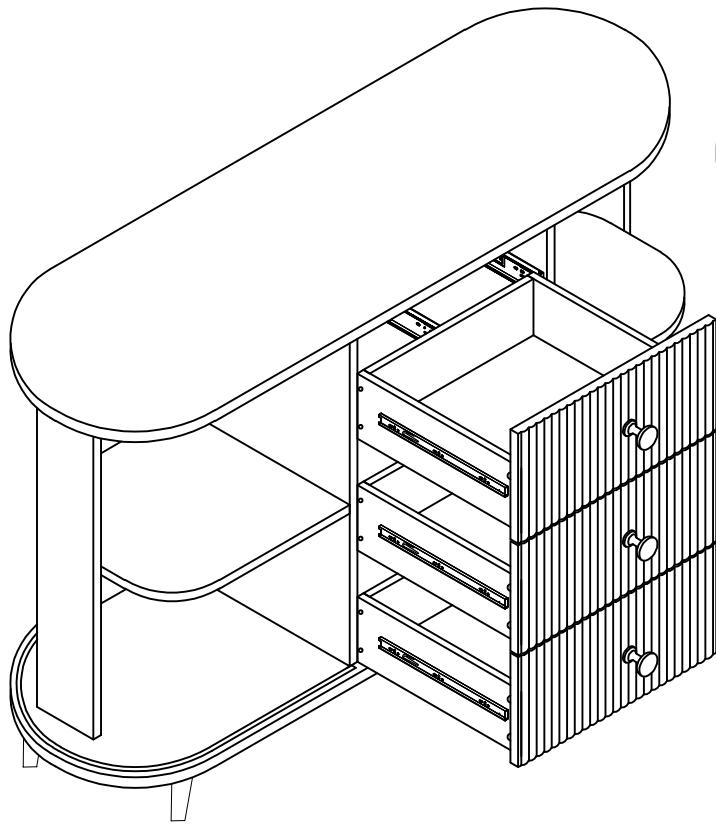
Step10

x3

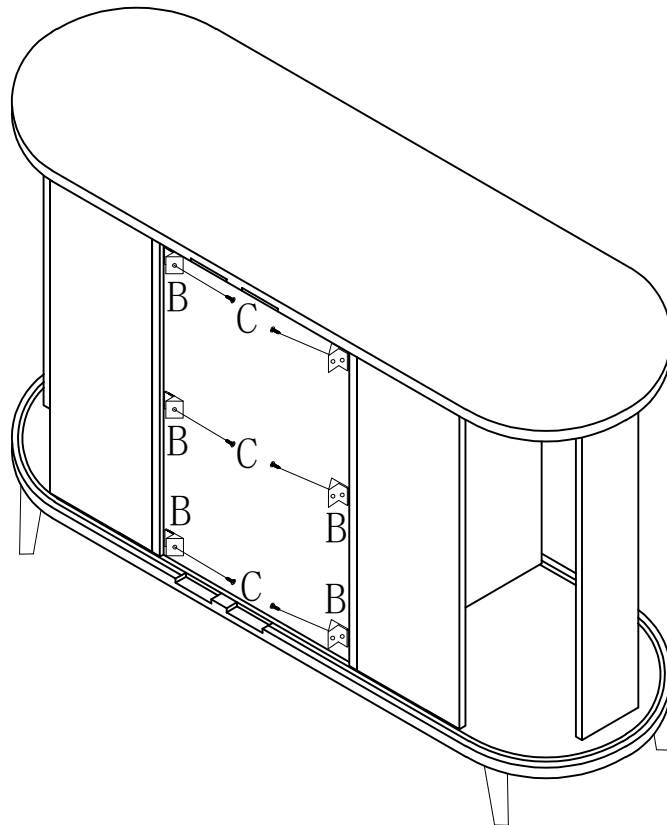




A	D2
x12	x6

Step11

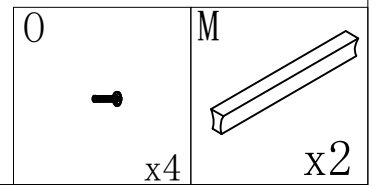
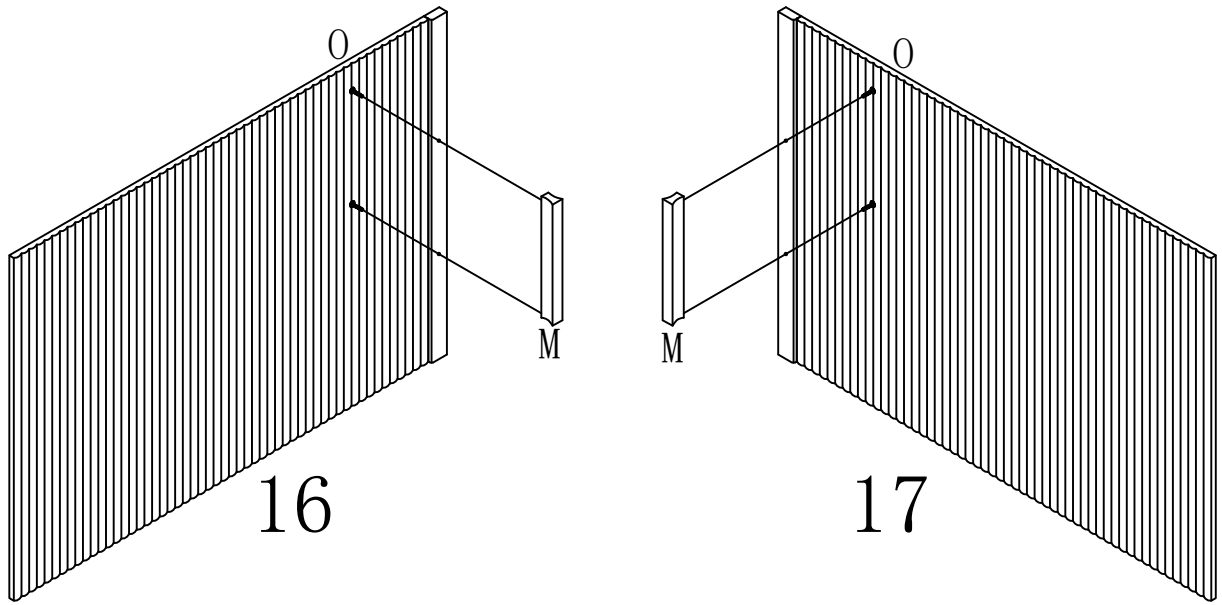


Step12

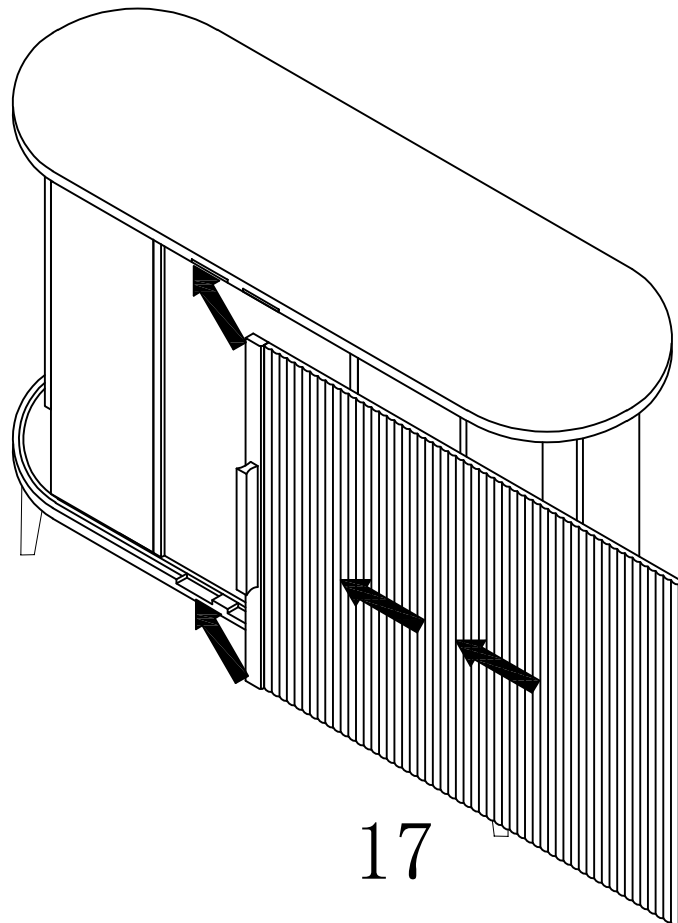


B	C
	
x6	14mm x6

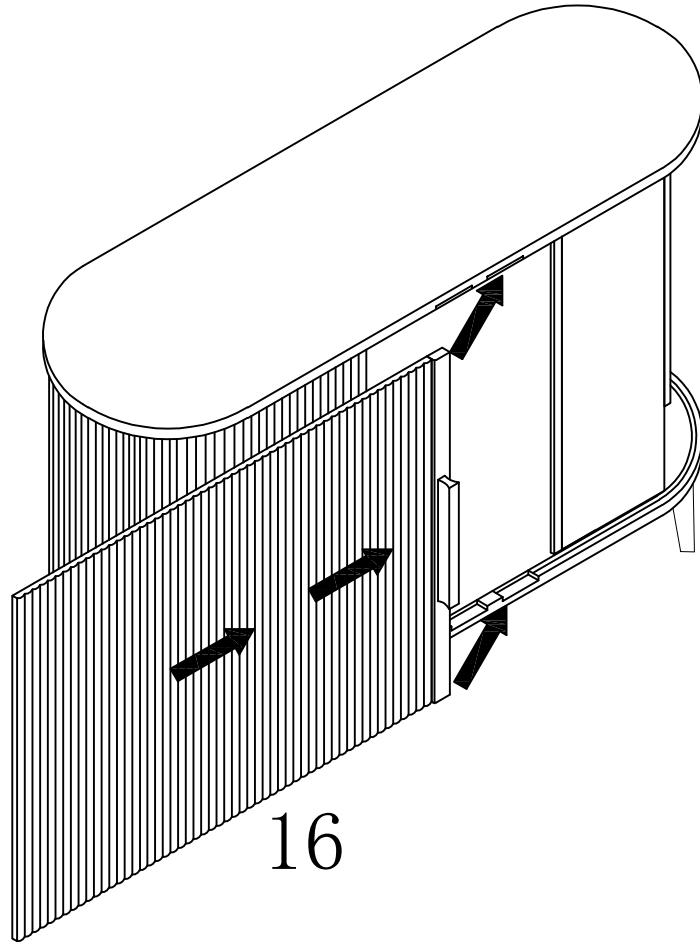
Step13



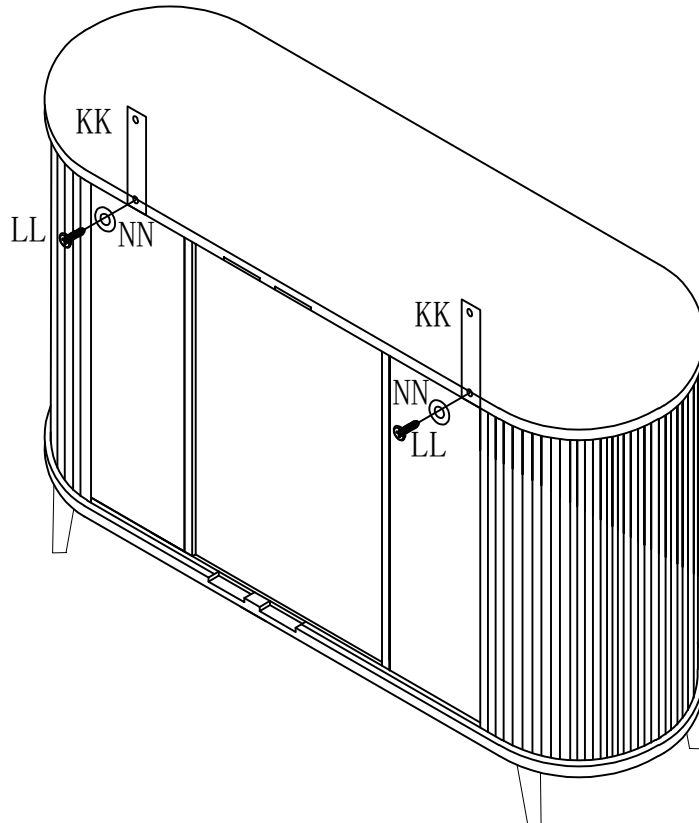
Step14






Step15



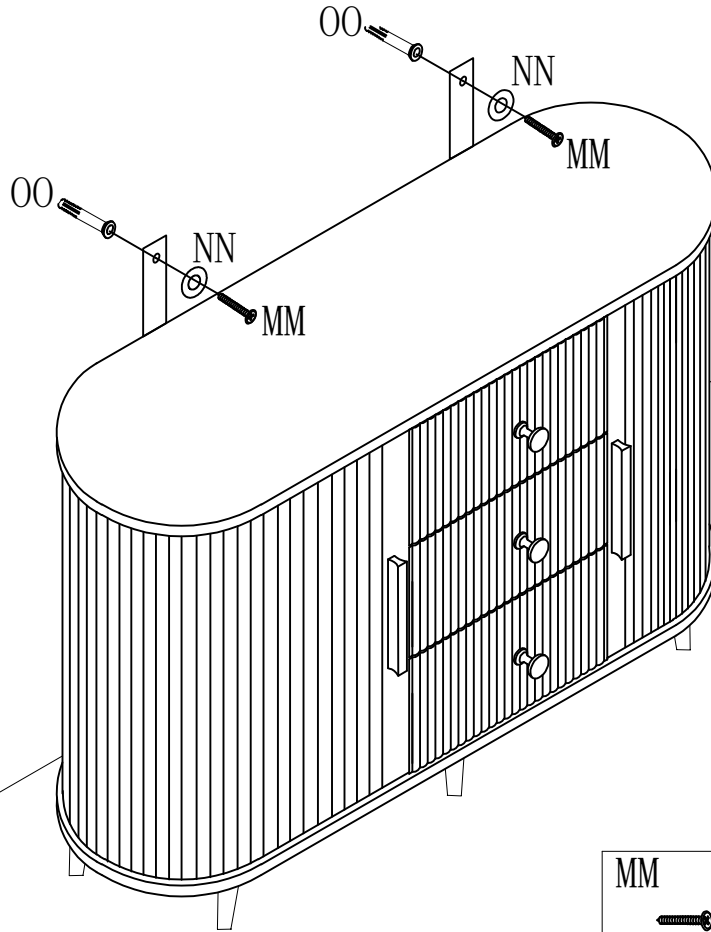
Step16

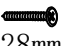




KK  x2	LL  14mm x2	NN  x2
---	---	---

Step17

WALL



MM  28mm x2	NN  x2	OO  x2
--	---	---