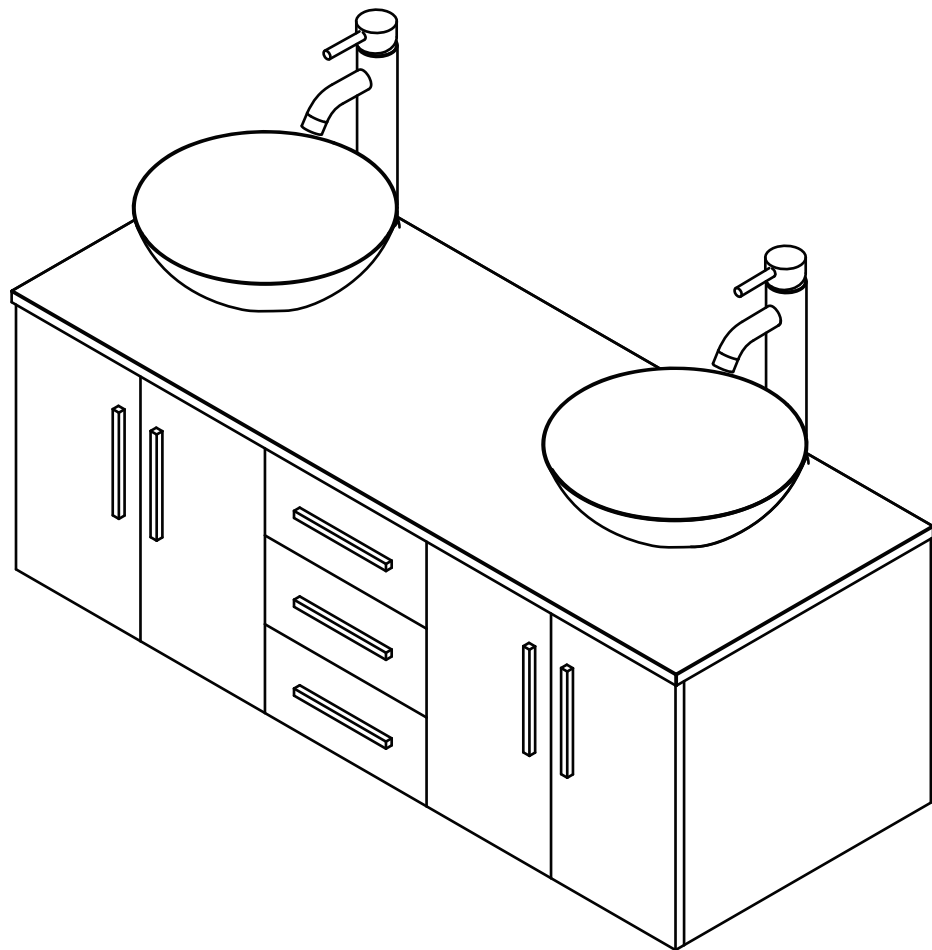
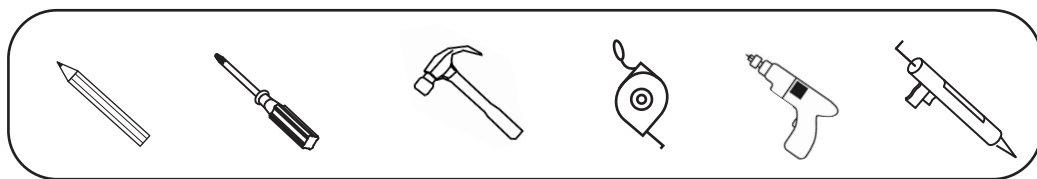


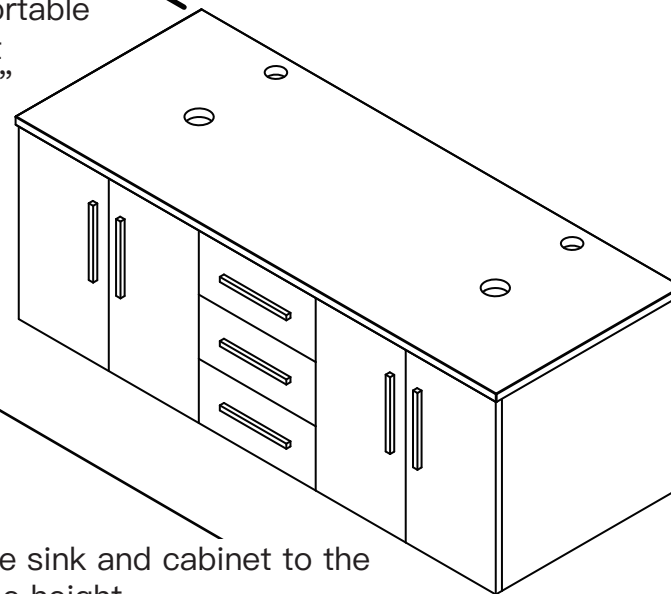
INSTRUCTION



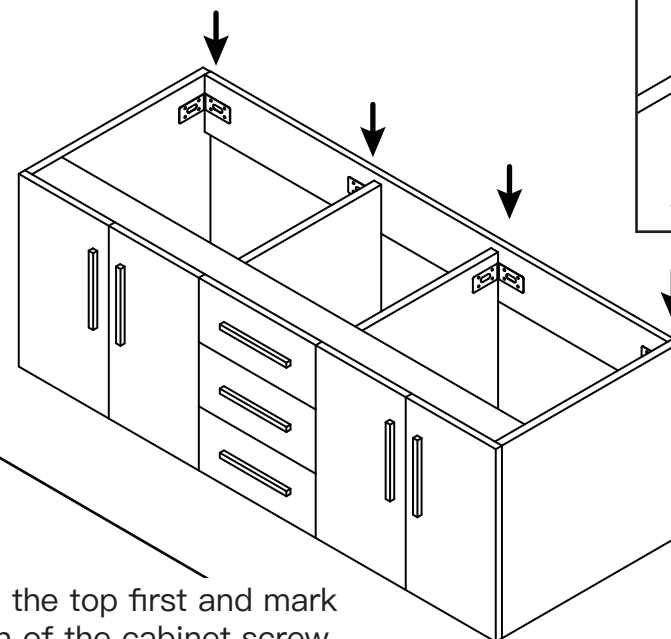
Preparation



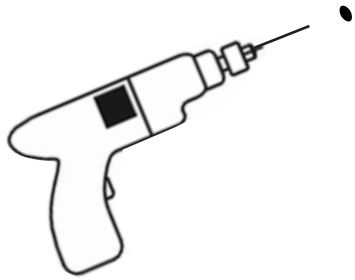
Comfortable
Height
33~36"



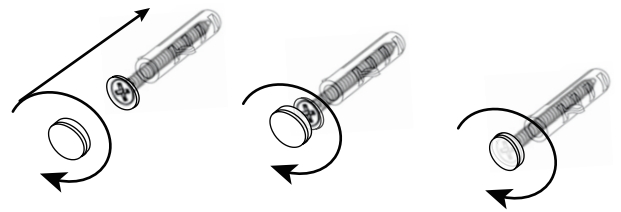
1\ Place the sink and cabinet to the comfortable height.
Recommended Fixed Height: 33~36"



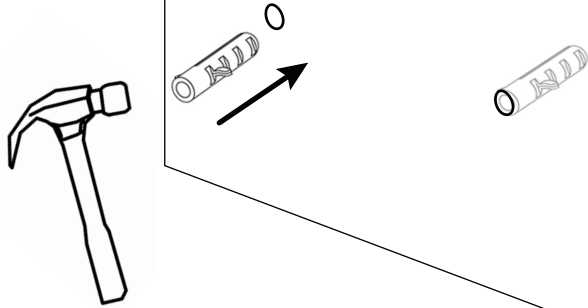
2\ Remove the top first and mark the position of the cabinet screw holes on the wall.



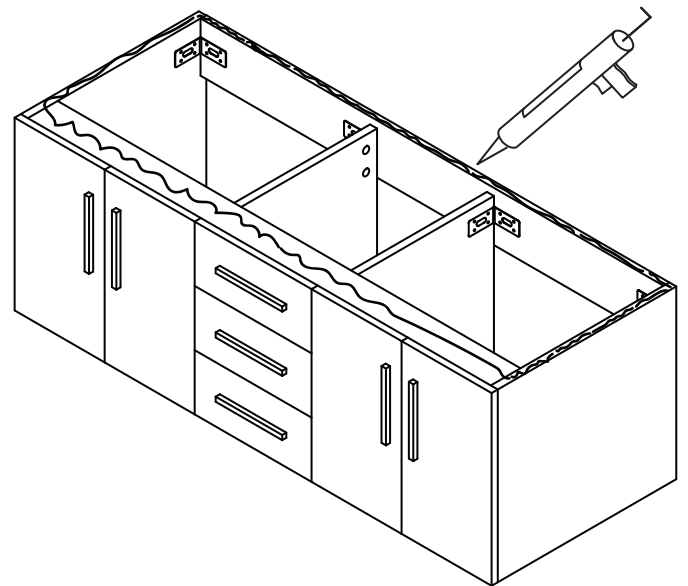
3\ Remove the cabinet, drill holes in the places marked earlier.
Recommended depth: 1.5~2 INCH



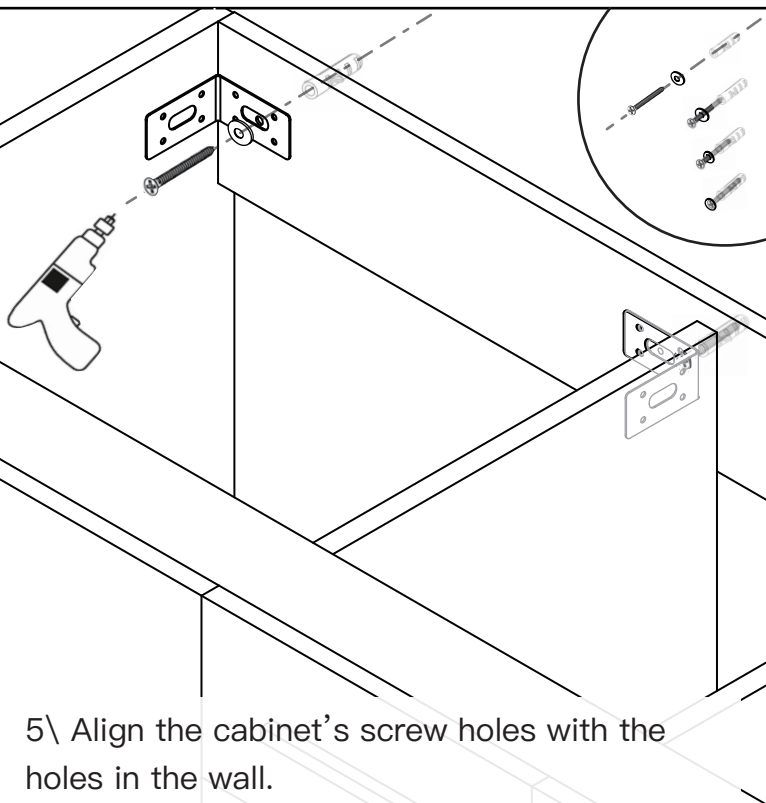
8\ Tighten the screw caps to cover the screws.



4\ Hammer the screw parts shown above into the wall.



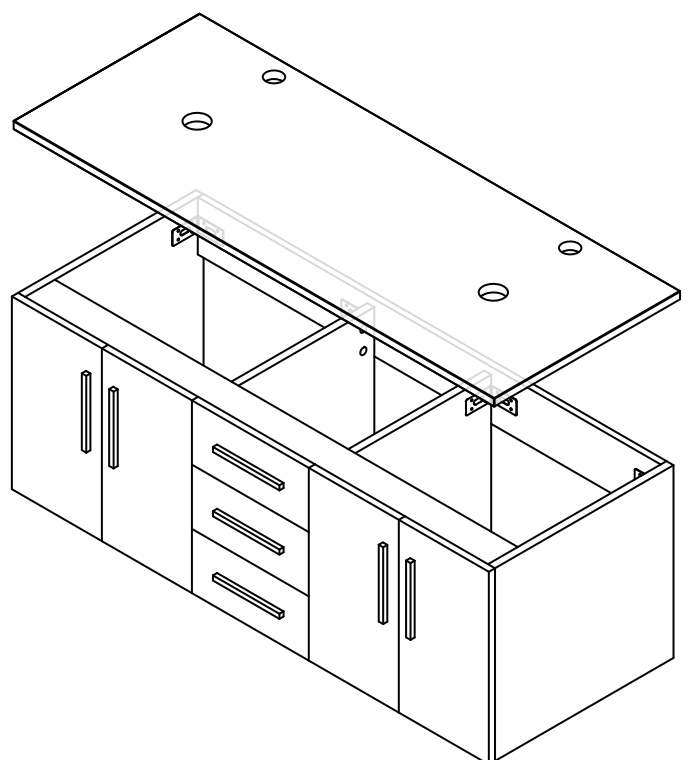
9\ Use silicone sealant on the cabinet edges.



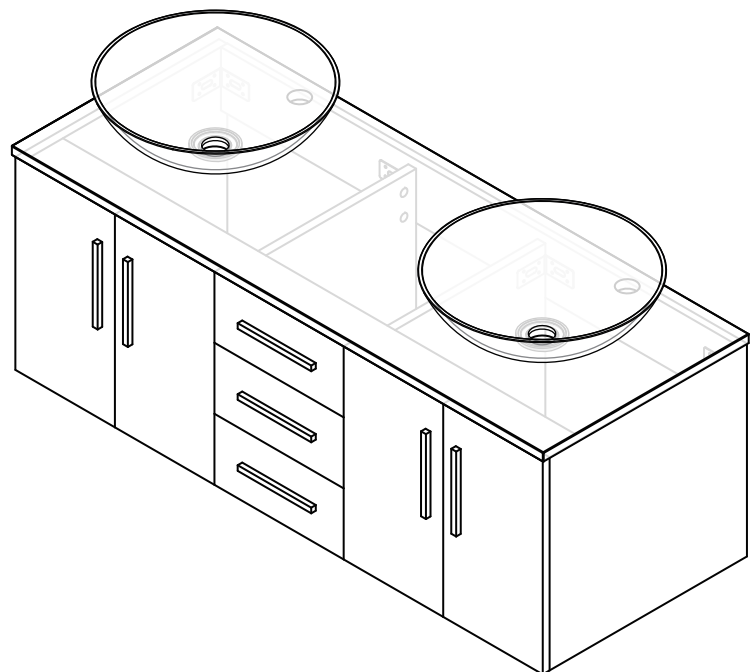
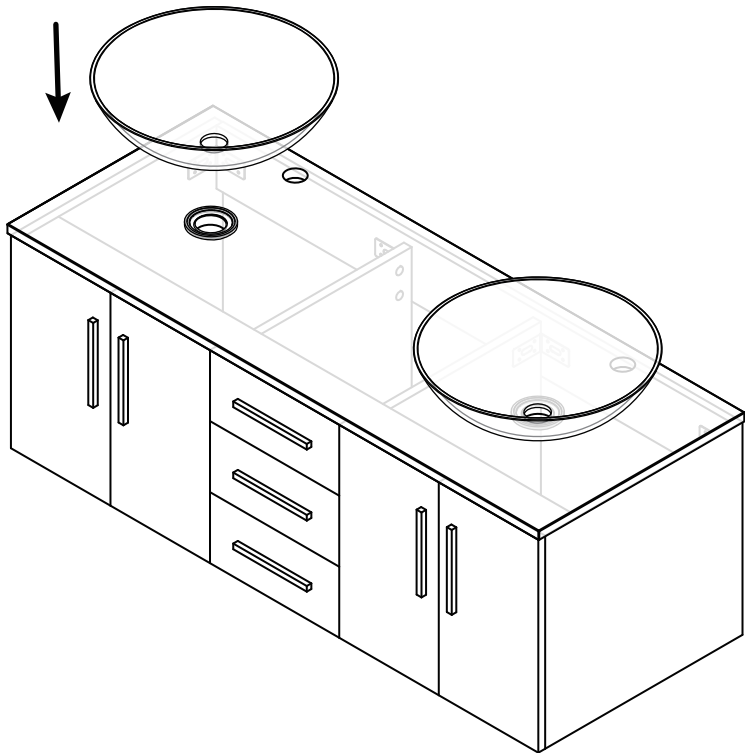
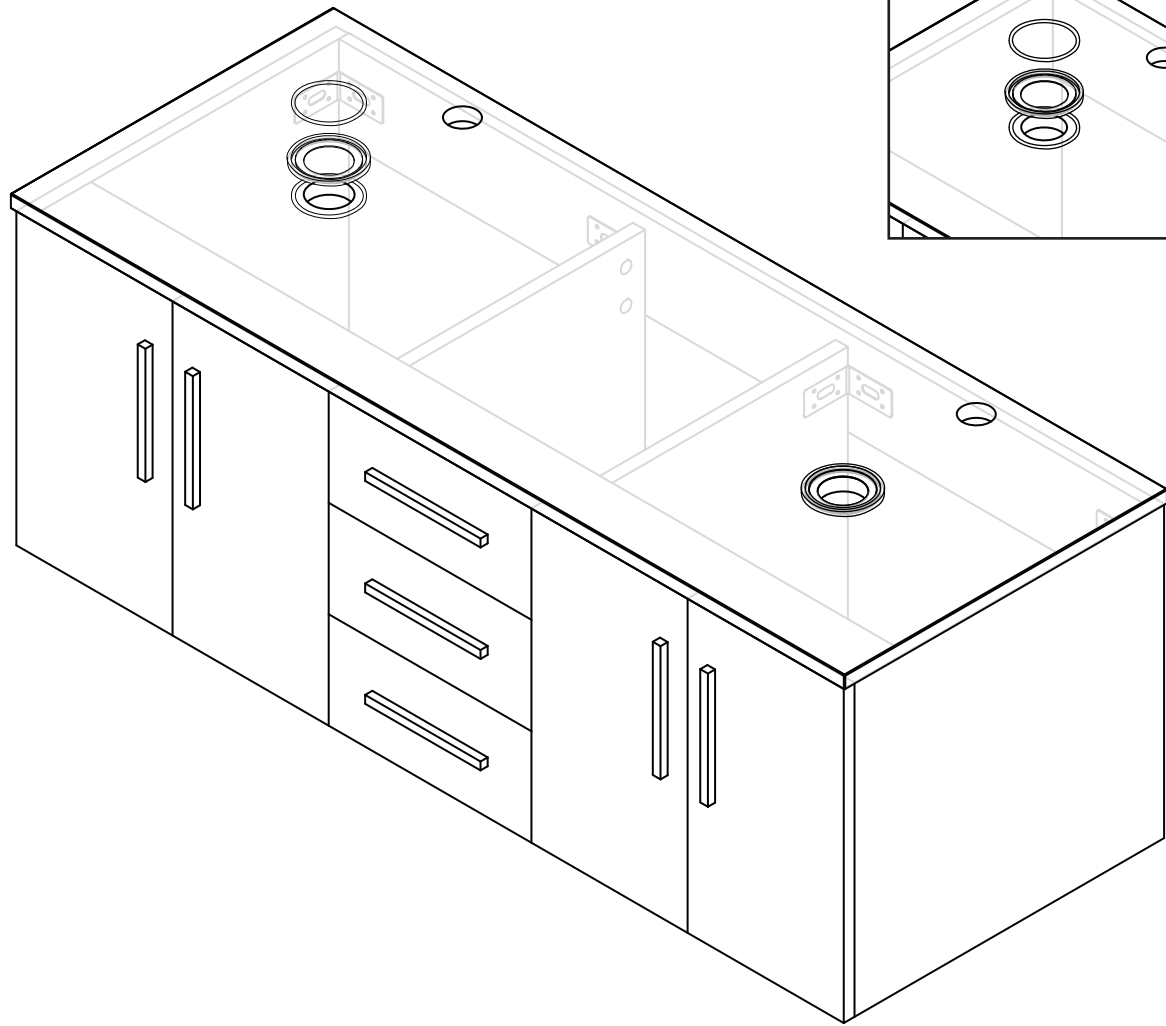
5\ Align the cabinet's screw holes with the holes in the wall.

6\ Make screws shown above go through the round gaskets and cabinet's screw holes.

7\ Drilled screws into the the wall.



10\ Gently place the sink on the cabinet.



HOW TO INSTALL THE DRAIN

