

USER'S MANUAL
Bamboo Top Workbench With Casters

Dear Customer,

Thank you for choosing our product. We sincerely hope that you would be satisfied with our Product and Service. Pls read the instruction carefully before assembling or using the product, to avoid damage caused by improperly use.

Your satisfaction will be great motivation for us. We would do our best to offer you a pleasure shopping experience on Amazon. If you have any concern about our product and service, please do not hesitate to contact us.



We are looking forward to hearing from you in the near future, and expect to have a long term cooperation with you.

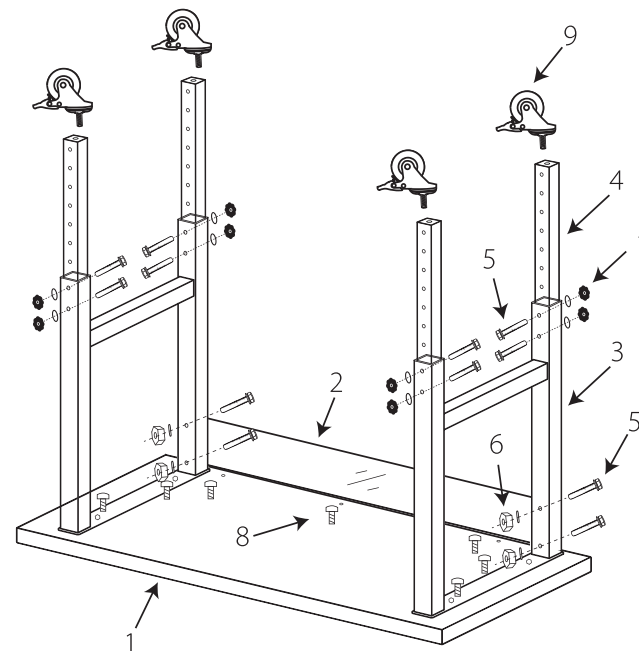
Best regards.

Warning: The manual contains very important safety information, please read it carefully before assembly.



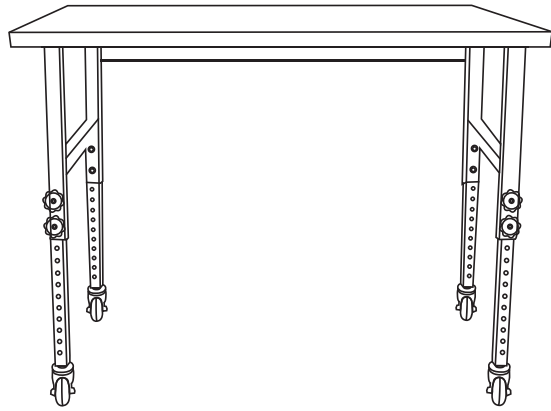
- 1) Check carefully the box when you receive, if there is any damage, pls take a picture for record, contact our service team for help.
- 2) The workbench can be dangerous if it is not properly installed. Fasten all bolts, nuts, screws before using it.
- 3) Don't overload product on the workbench, it is restricted to 2200 LBS(1000KG).
- 4) Use safety goggles to install the workbench.
- 5) When you use the workbench, make sure all casters are locked, or it can be very dangerous.
- 6) Keep away from children. It will be dangerous if your children are playing on it.
- 7) Keep workbench away from water, moisture.
- 8) Please don't drop the box before you finish the assembling.

Check list for workbench



	Description	QTY
1	Bamboo Board	1
2	Support	1
3	Leg	2
4	Leg extend	4
5	M10x60 Bolt	12
6	M10 Nut	4
7	M10 Big plastic nut	8
8	M8x16 Bolt	7
9	Caster	4

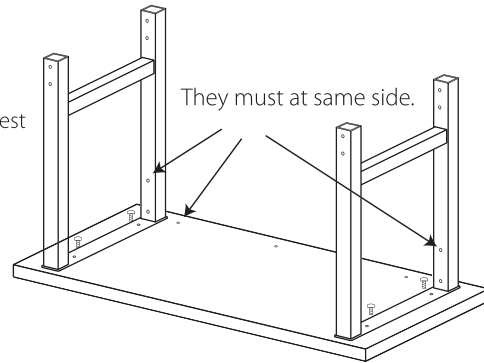
Assembling for workbench



- Tips:
- 1) Don't fasten all bolts and nuts tightly, you may need to rework if you make some mistake.
 - 2) We recommend that 2 adults are required to complete the installation

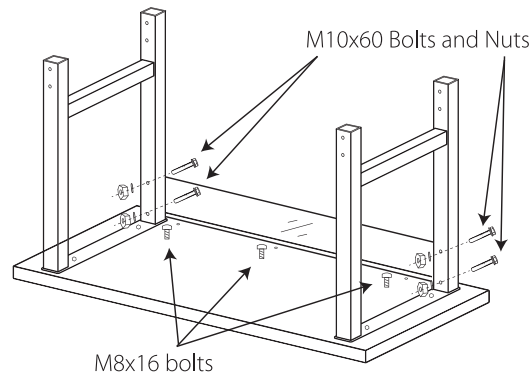
1. Fasten legs to the bamboo board.

- A) Put the bamboo board on a clean ground, in order to protect the bamboo board, we suggest you to put something between ground and bamboo board, like soft cloth, box.
- B) Make sure the holes on legs and board must at same side, check below picture.
- C) Use M8x16 hex bolt to fasten 2 legs to bamboo board.



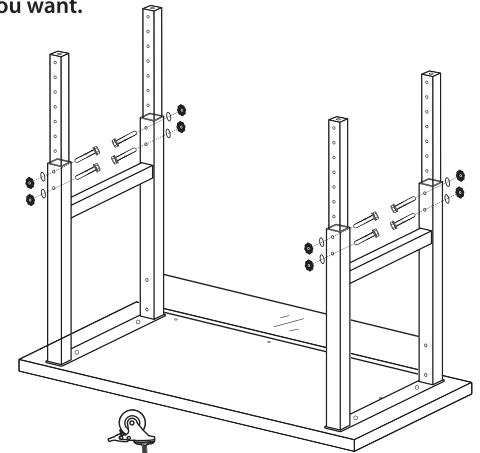
2. Fasten support to bamboo board and Legs.

- A) Fasten support to leg, use 4 pcs M10x60 bolts and nuts.
- B) Fasten support to bamboo board, use 3 pcs M8x16 bolts.

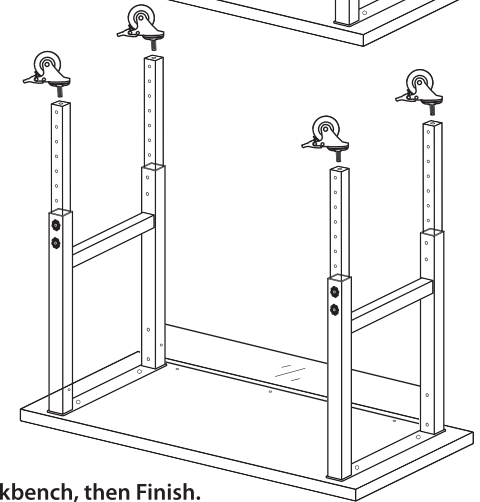


3. Fasten leg extend to legs, adjust height you want.

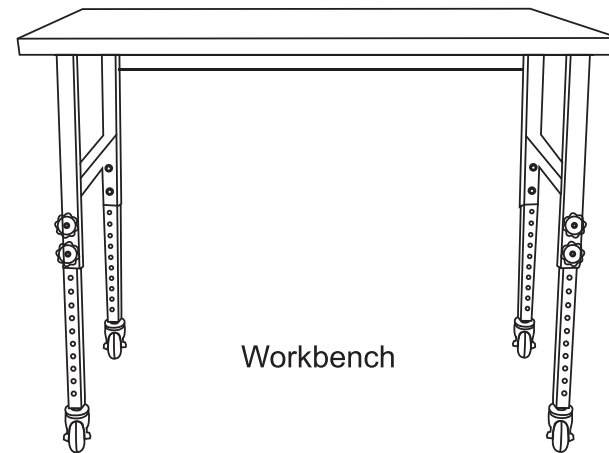
Use M10x60 hex bolt and M10 Big plastic nuts to fasten them.



4. Install Casters on leg extend.



5. Fasten all bolts and nuts, reverse the workbench, then Finish.



One Year Warranty Statement

The appliances are guaranteed from the date of purchase for 1 year against manufacturing defects and abnormal deterioration when used in accordance with the care and use instructions for normal domestic use. The warranty excludes damage resulting from product misuse or product neglect. The benefits given by this warranty are in addition to other rights and remedies you may have under Consumer law.

This warranty is provided in addition to other rights and remedies you may have under law. Our goods come with guarantees that cannot be excluded under Consumer Law. You are entitled to a replacement or refund for a major failure and for compensation for any other reasonably foreseeable loss or damage. You are also entitled to have the goods repaired or replaced if the goods fail to be of acceptable quality and the failure does not amount to a major failure.



**Any questions or problems, please contact us at
with your order ID and your issue.**

**We will help you resolve it when we receive your email.
We Guarantee a Satisfied Solution to you.**