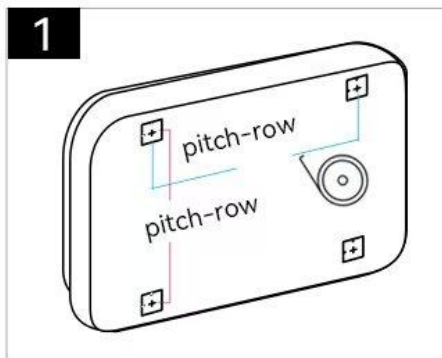
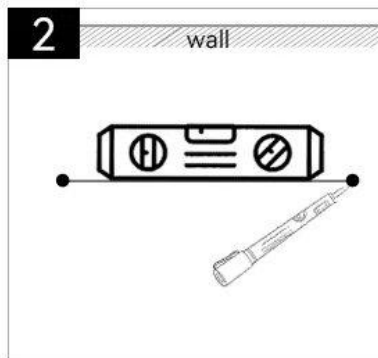


Installation Instruction of Mirror Cabinet

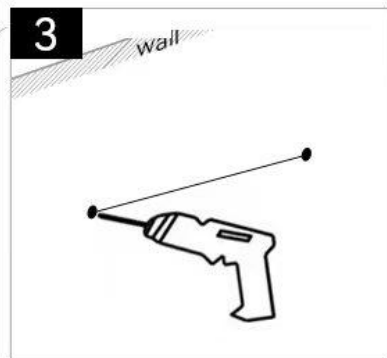
Required tools					Complimentary accessories	
						
Tape Measure	levelling rod	self-tapping screw	Screwdriver	hammer	Plastic Anchors	self-tapping screw



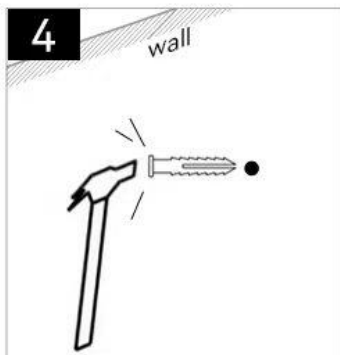
1 Measure the horizontal and vertical mounting hole spacing of the mirror cabinet.



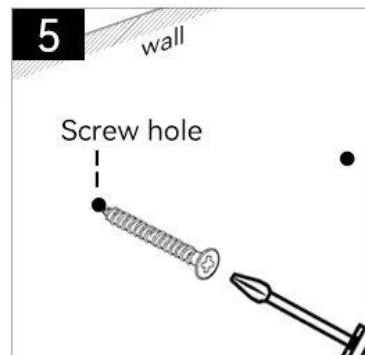
2 Measure the horizontal and vertical mounting position with the leveling rod and mark it on the wall.



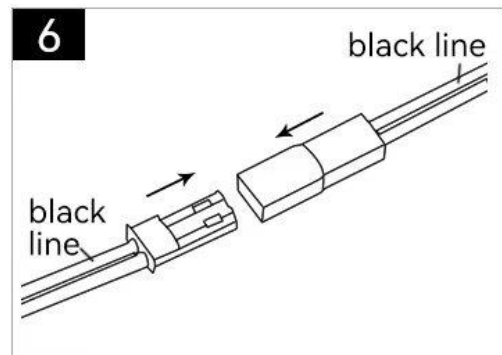
3 Drill holes according to the markings.



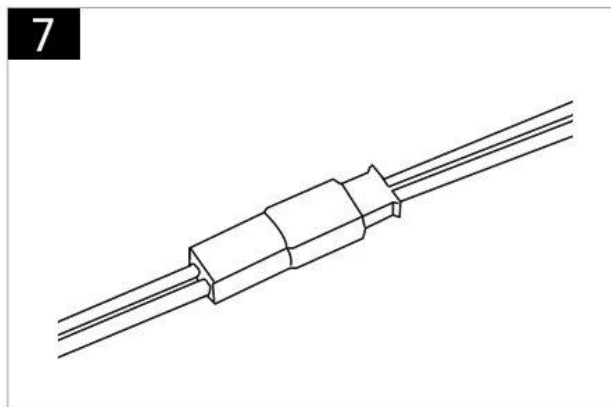
4 Hammer plastic anchors into pre-drilled holes.



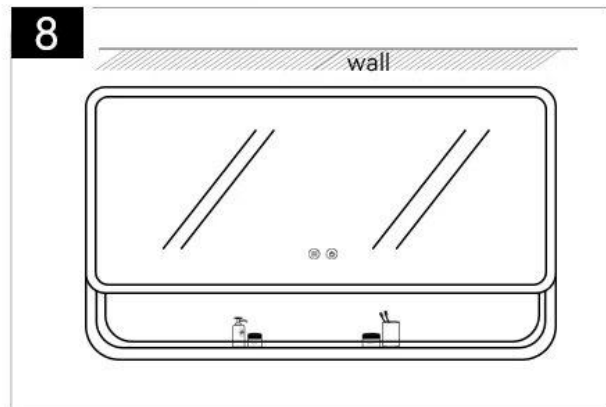
5 Screw in the tapping screw with a screwdriver.



6 The card slots on both sides are inserted in accordance



7 Plug in and install it to power



8 Hang up the mirror cabinet to complete the installation.