


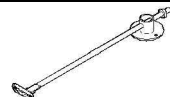
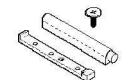

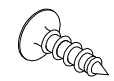

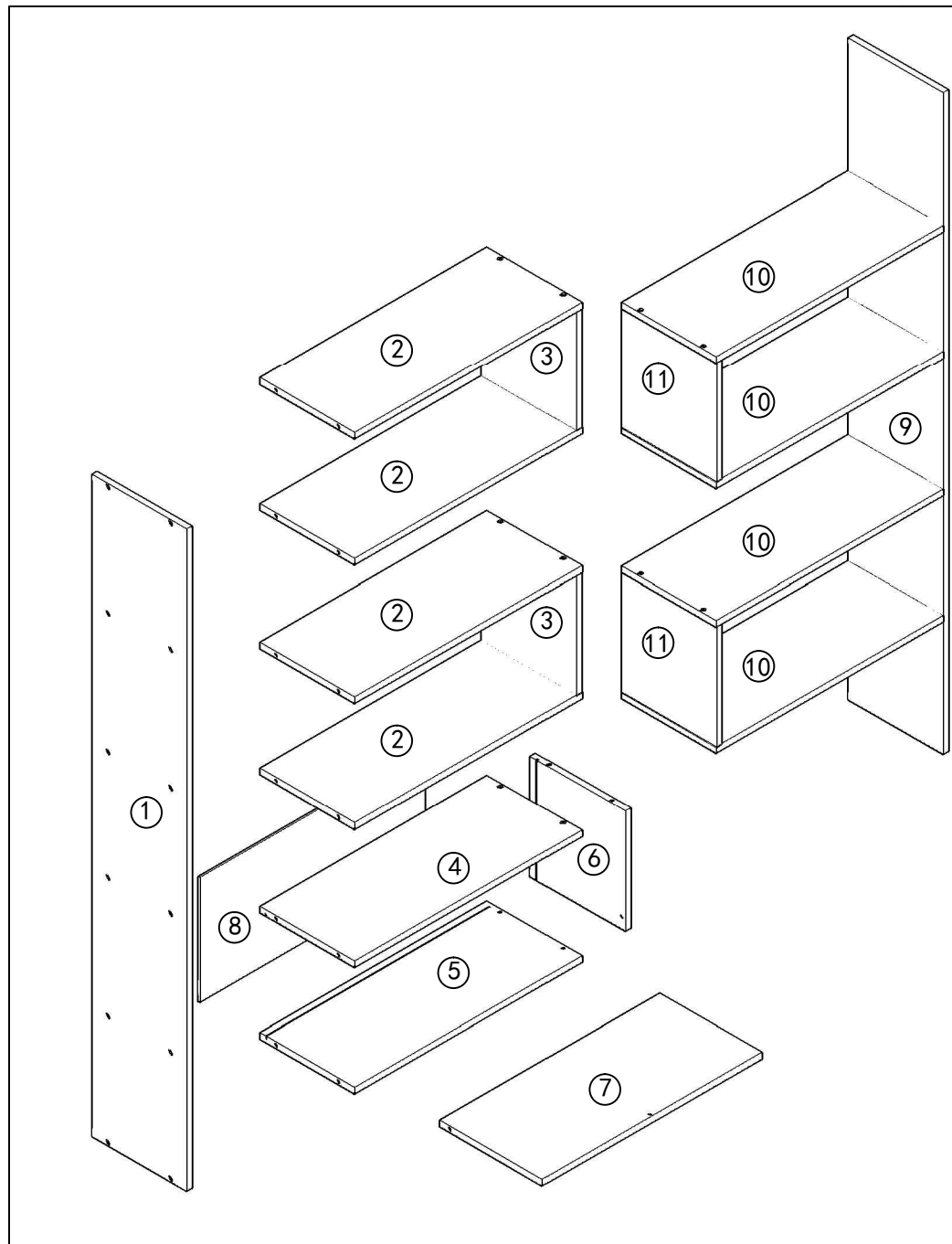


NO.	QTY.	L I N E D R A W I N G
A	40	$\phi 7 * 50$ 
B	2	
C	4	
D	1	
E	1	
F	6	
G	11	$\phi 3.5 * 14$ 
H	40	$\phi 15$ 





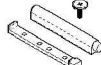





NO.	QTY.	NO.	QTY.
①	1	⑩	4
②	4	⑪	2
③	2		
④	1		
⑤	1		
⑥	1		
⑦	1		
⑧	1		
⑨	1		

PACKING DETAILS: TOTAL 2 BOXES

BOX 1/2

PART NO.	QTY
①	X1
③	X2
⑥	X1
⑦	X1
⑧	X1
⑨	X1
⑪	X2

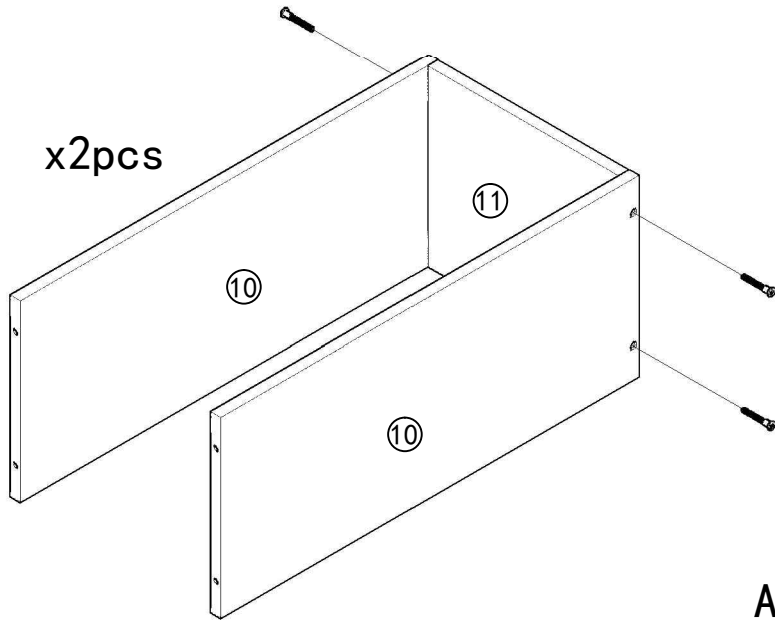
PART NO.	PARTS	QTY
A	 ø7*50	X40
B		X2
C		X4
D		X1
E		X1
F		X6
G	 ø3.5*14	X11
H	 ø15	X40

BOX 2/2

PART NO.	QTY
②	X4
④	X1
⑤	X1
⑩	X4

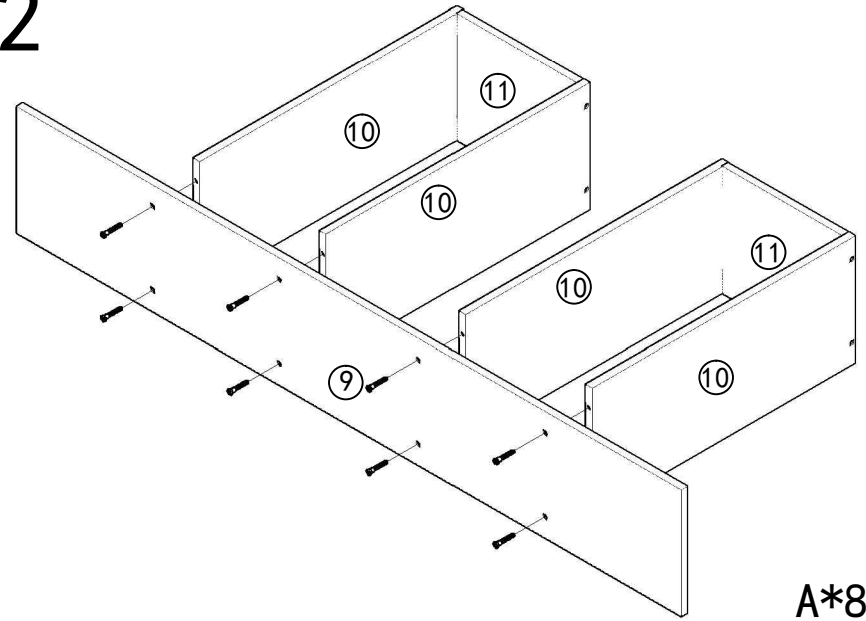
1

x2pcs



A\*8

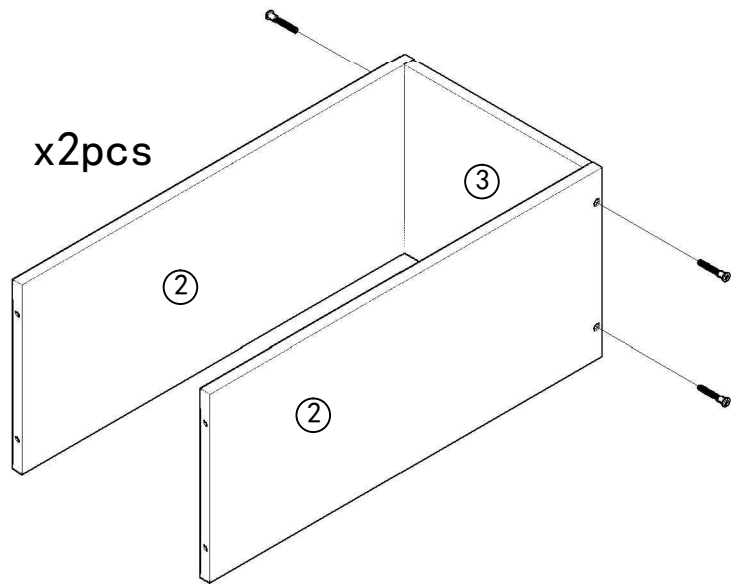
2



A\*8

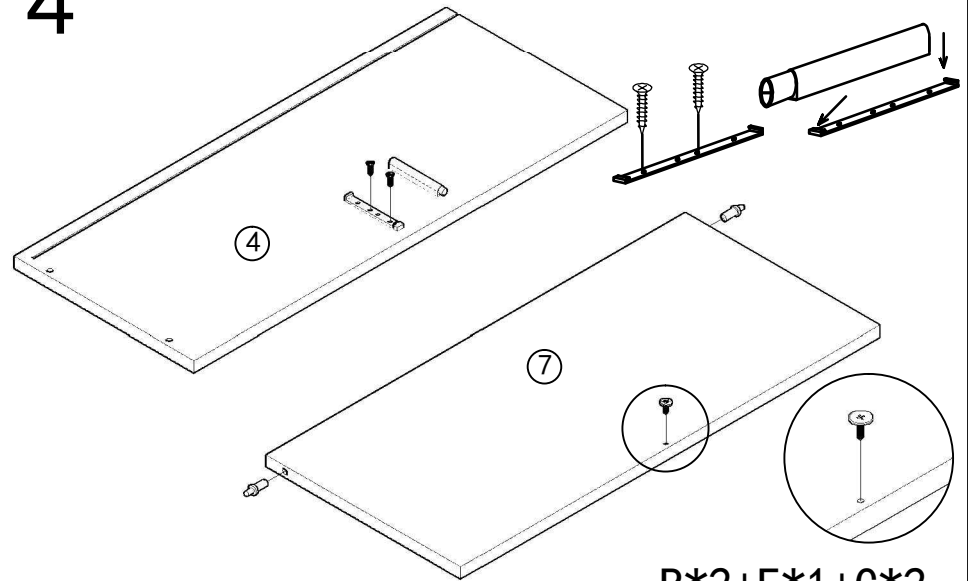
3

x2pcs



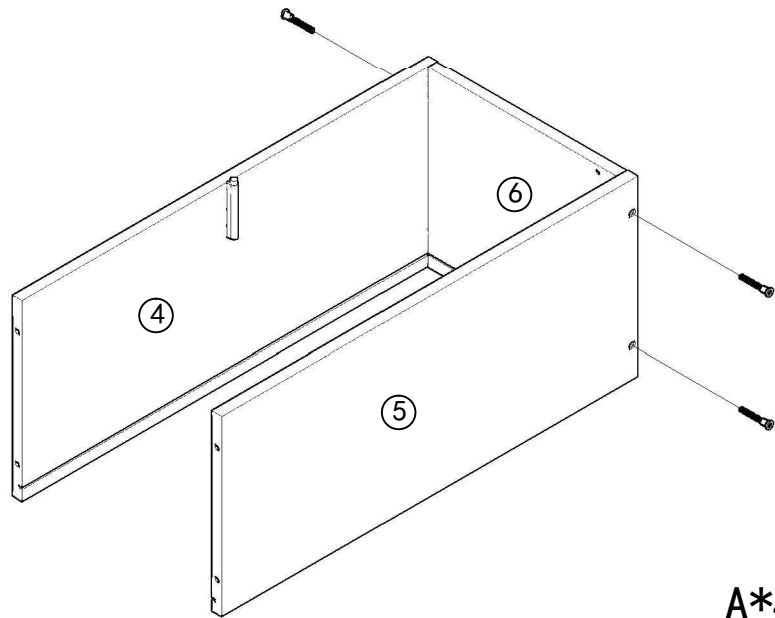
A\*8

4



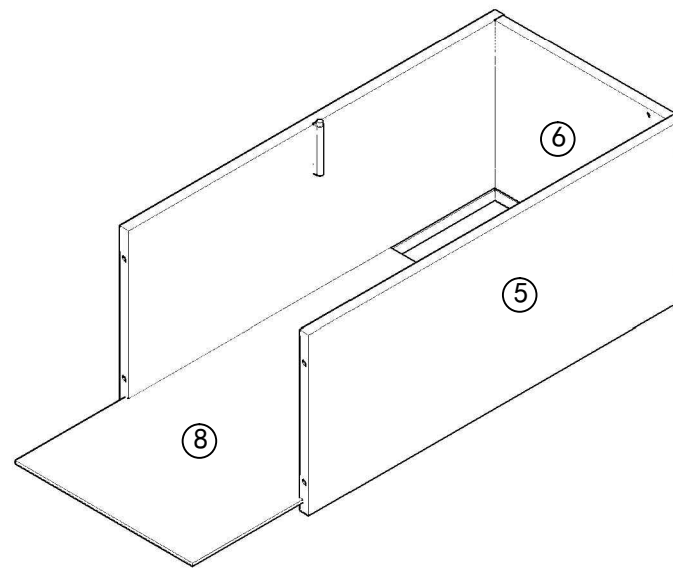
B\*2+E\*1+G\*2

5

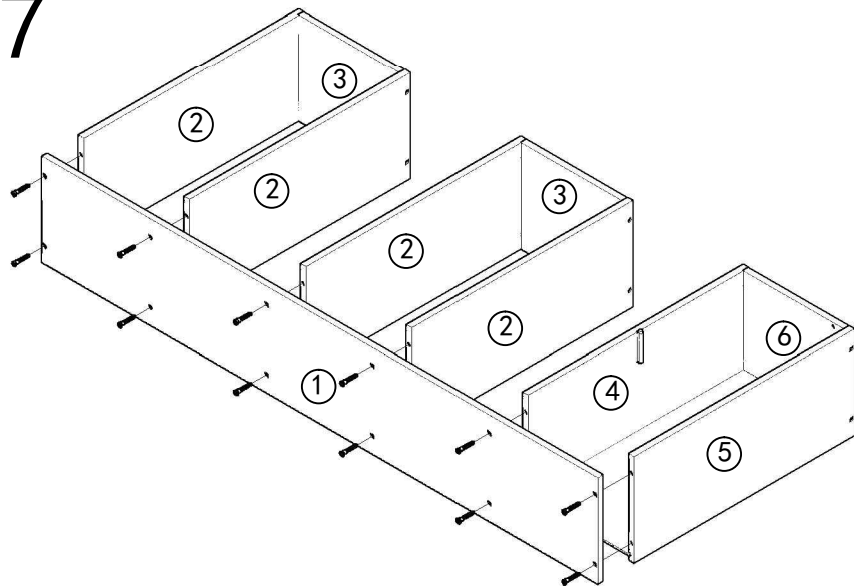


A\*4

6

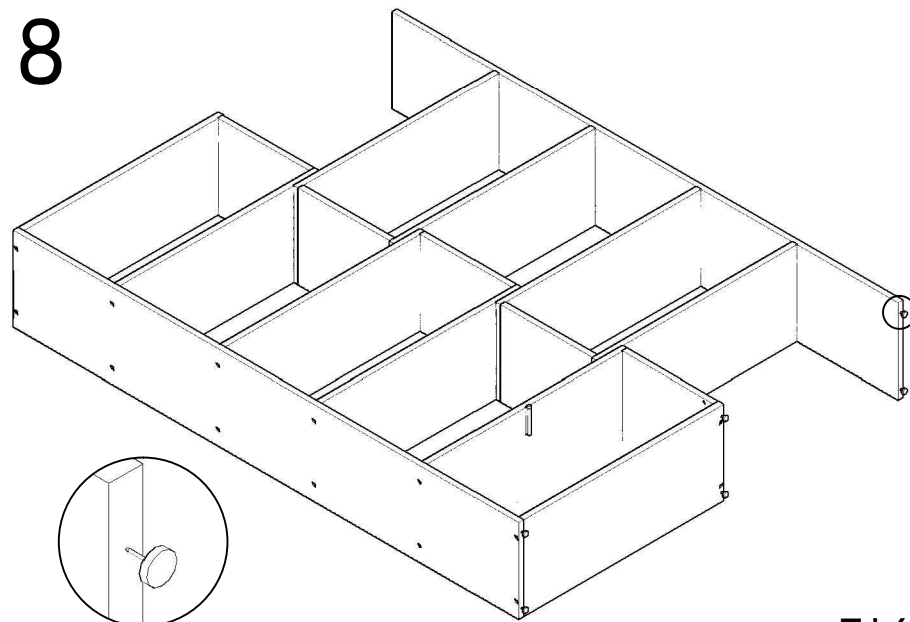


7



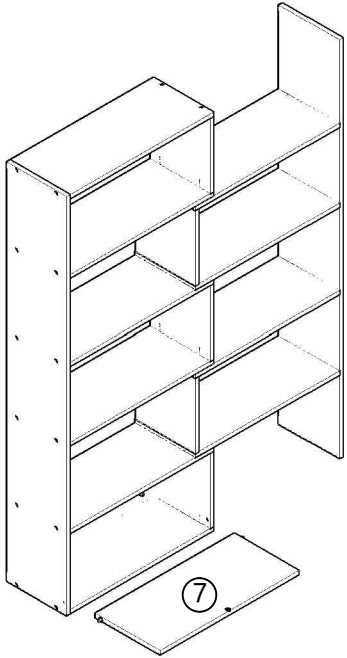
A\*12

8

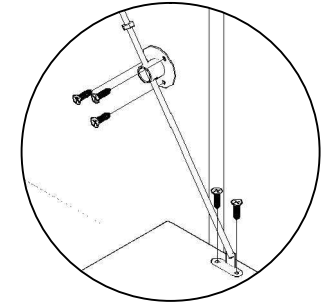
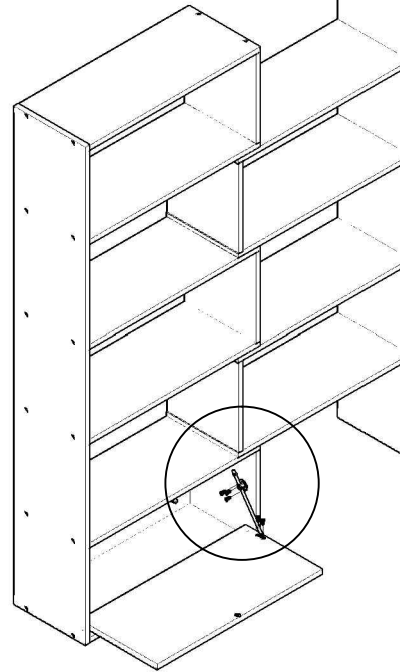


F\*6

9

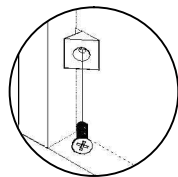
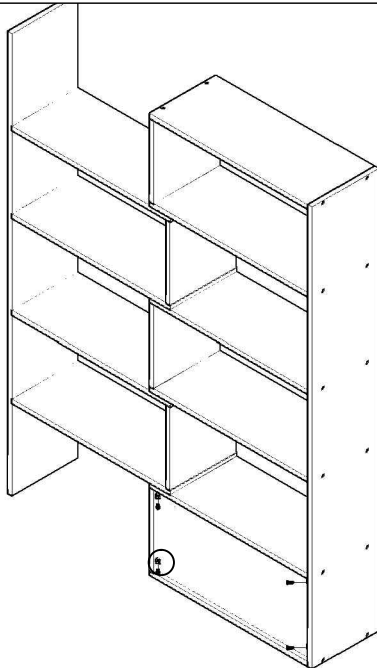


10



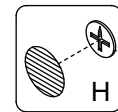
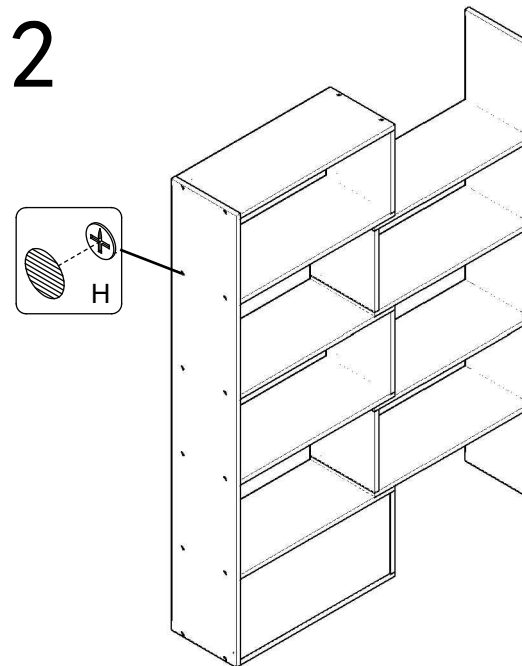
D\*1+G\*5

11



C\*4+G\*4

12



H\*40