









KEEP INSTRUCTIONS  
FOR FUTURE USE

## Assembly Instructions

ASSEMBLY REQUIRES  
TWO PEOPLE

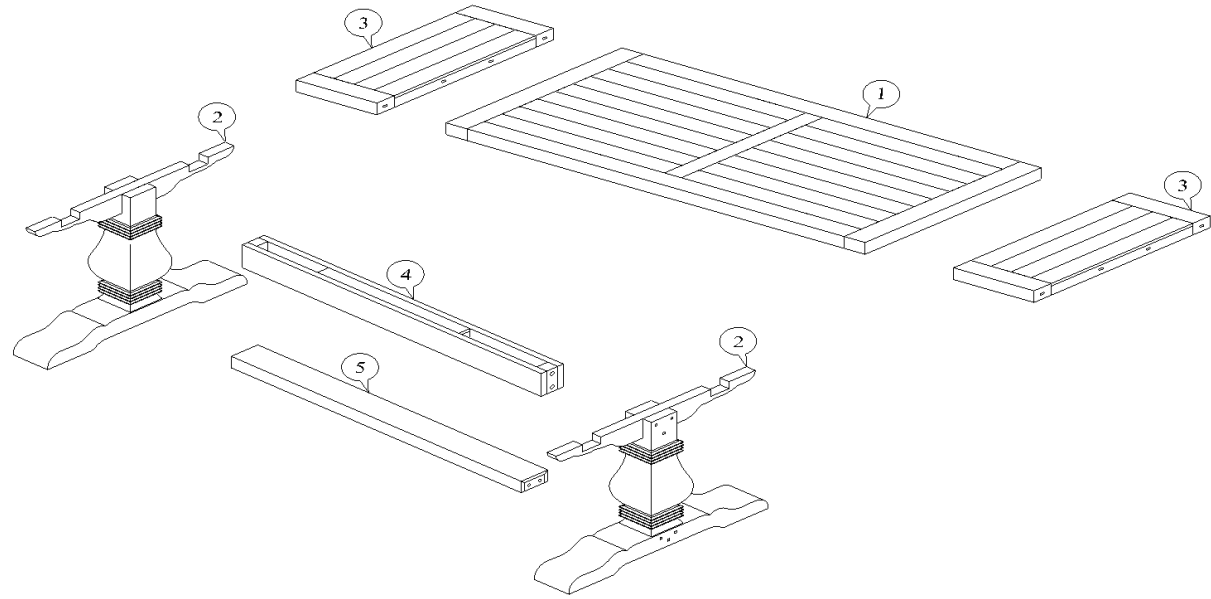


Hardware and Tools		
A	BOLT 0.31" x 3.16" Ø 08mm x 80mm	
	Qty: 04	
B	BOLT 0.31" x 3.94" Ø 08mm x 100mm	
	Qty: 04	
C	BOLT 0.31" x 2.36" Ø 08mm x 60mm	
	Qty: 08	
D	WASHER 0.31" x 0.75" x 0.08" Ø 08mm x 19mm x 2mm	
	Qty: 20	
E	OPEN WRENCH K13	
	Qty: 01	
F	BOLT 0.31" x 2.56" Ø 8mm x 65mm	
	Qty: 04	

### Before Starting:

1. Choose a clean, level, spacious assembly area. Avoid hard surfaces that may damage the product.
2. Always read the instructions carefully before beginning assembly to ensure that you have all required contents.
3. To prevent choking hazards, keep the packaging material out of reach of small children
4. Do not over tighten the bolts as this may damage the thread.
5. Use only vendor supplied hardware to assemble. Using unauthorized hardware could jeopardize the structural integrity of the item.
6. The use of power tools to aid in assembly is not recommended. Power tools can damage hardware and split wood.

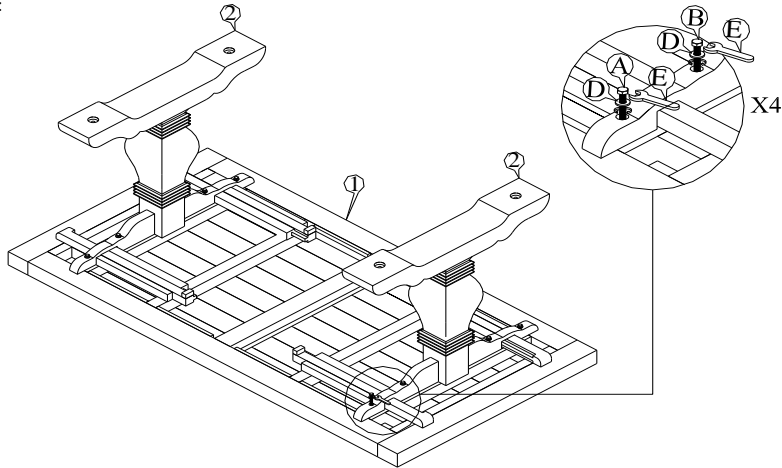
### Components:



1	TABLE TOP x 1
2	LEG x 2
3	EXTENSION LEAVE x 2
4	TOP SUPPORT x 1
5	STRETCHER x 1

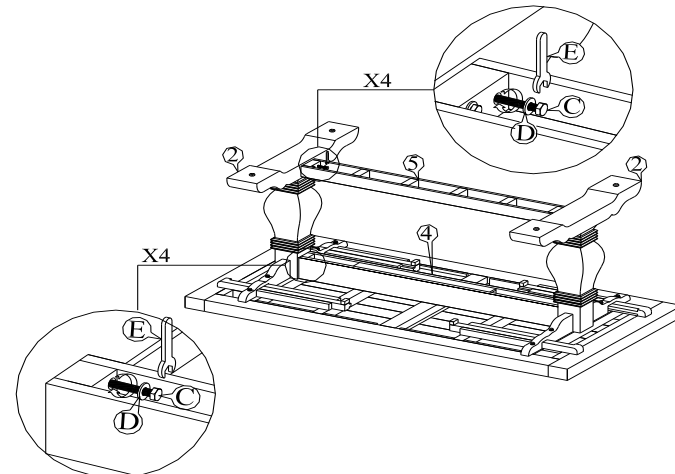
## Assembly Instructions Continued

Step 1:



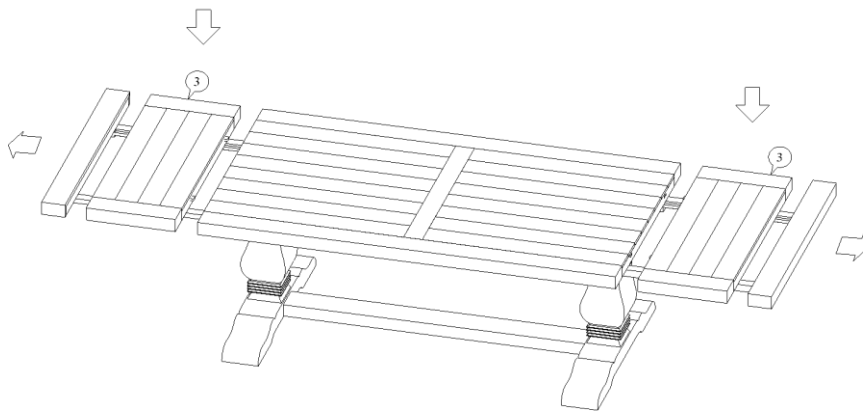
- Assemble the Legs (2) to the Table top (1) by using Open Wrench (E) to tighten Bolts (A), Bolts (B) and Washers (D).

Step 2:



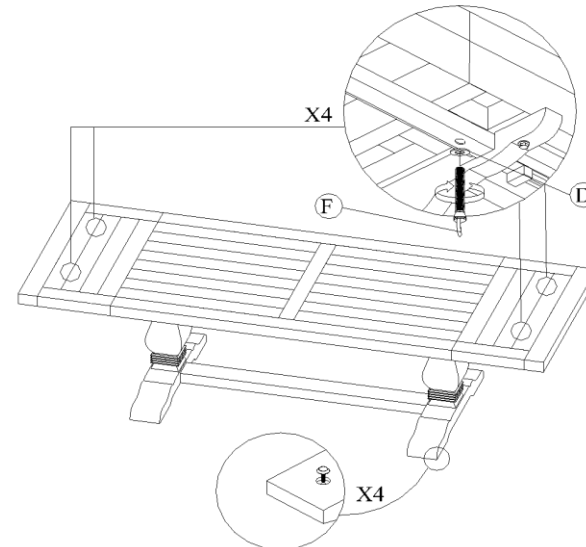
- Install the Top Support (4) and Stretcher (5) into the Legs (2) by using Open Wrench (E) to tighten Bolts (C) and Washers (D).

Step 3:



- Two people carefully turn the Table over and stand on its Leg.  
 - Pull the outer leaves and assemble Extension Leaf (3) into the Table top (1) as picture.

Step 4:



- Push the outer leaves and tighten Bolts (F) and Washers (D) by hand.  
 - If the Table doesn't sit level, please adjust the adjustable feet under the legs.