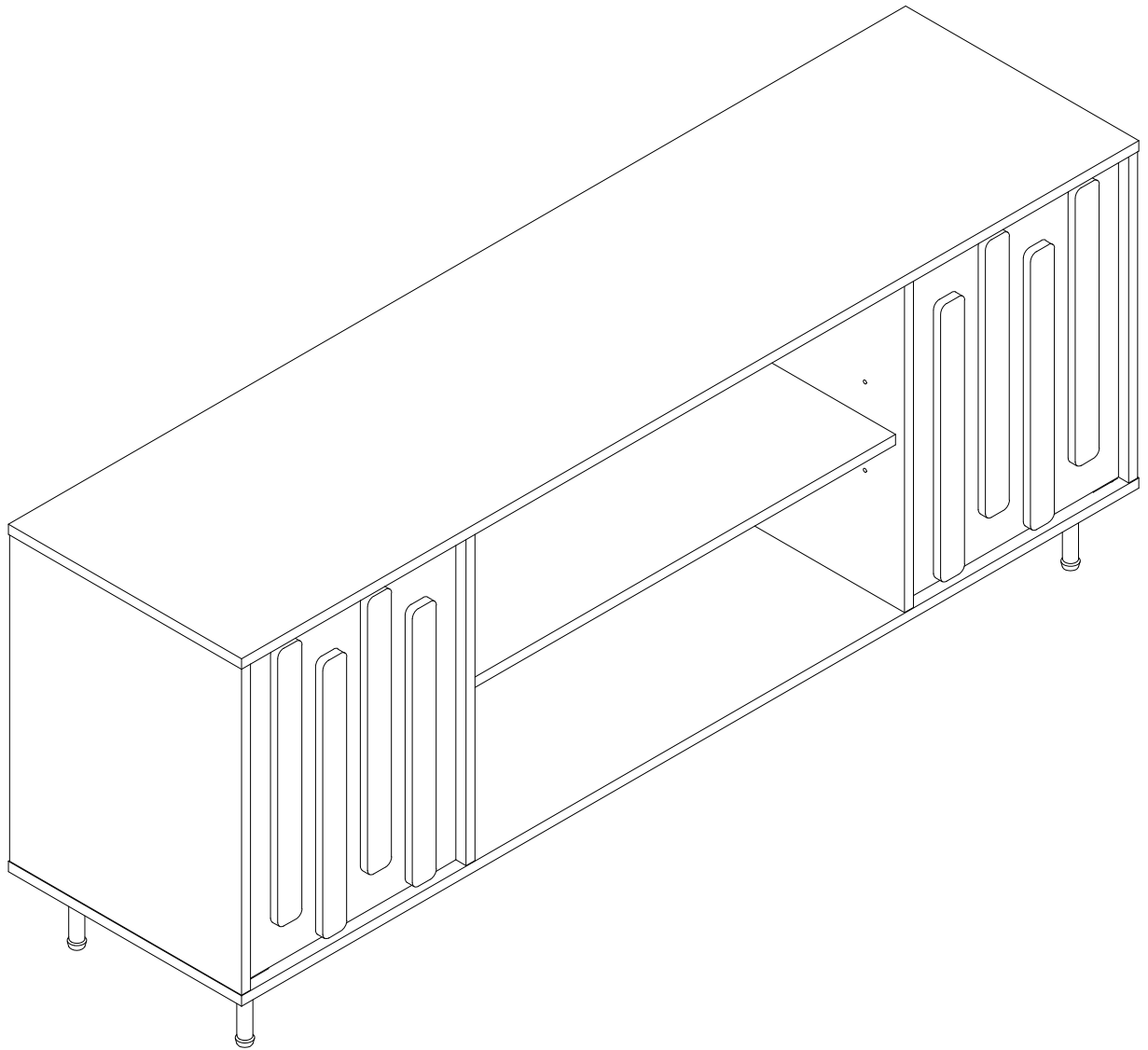
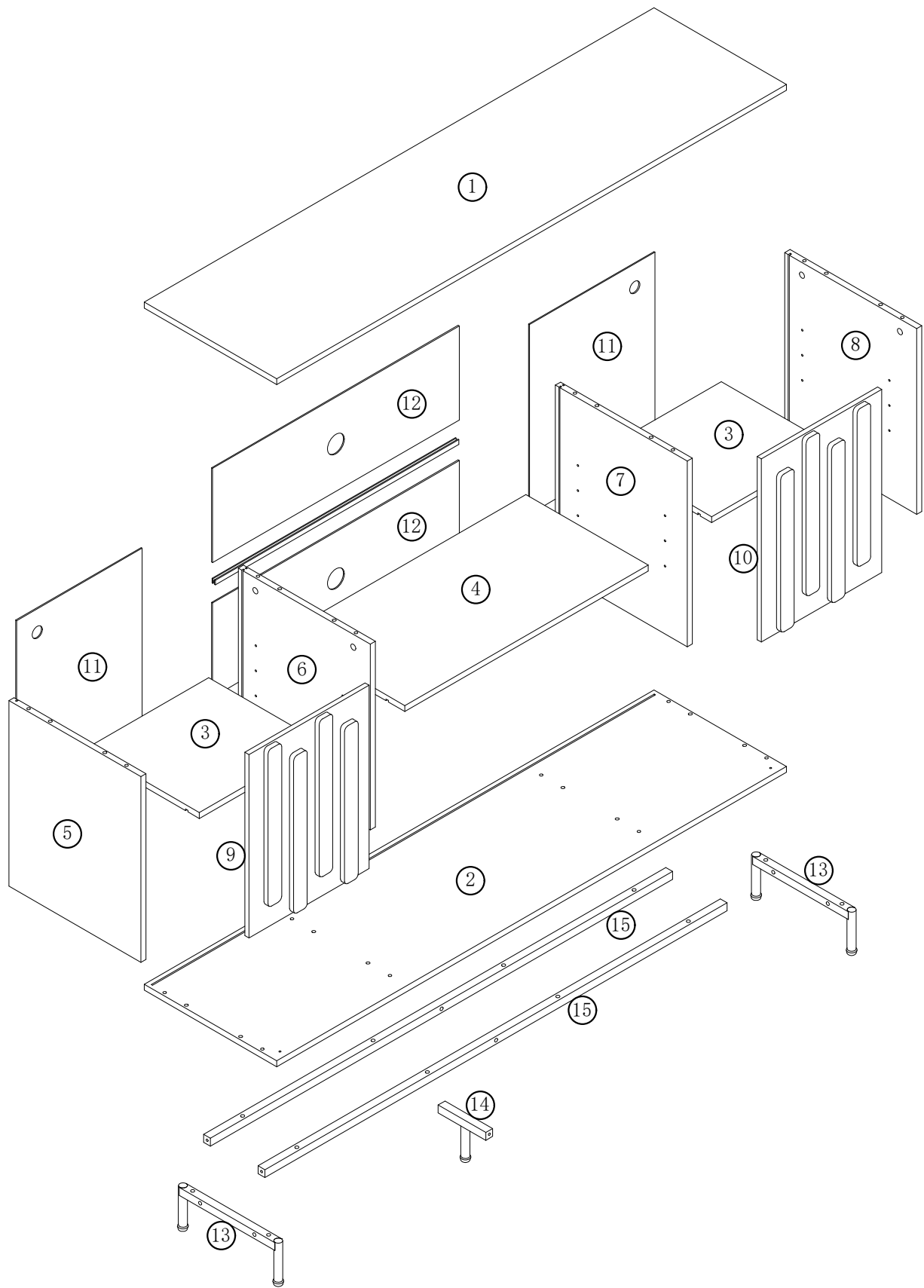


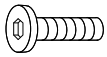
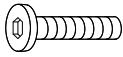


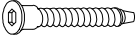


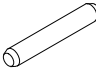
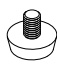
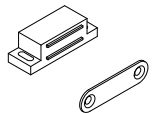
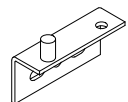
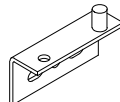


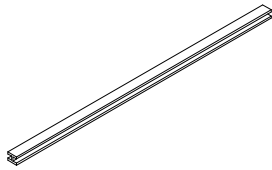
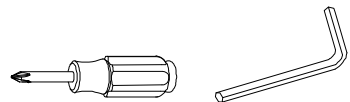
ASSEMBLY INSTRUCTION



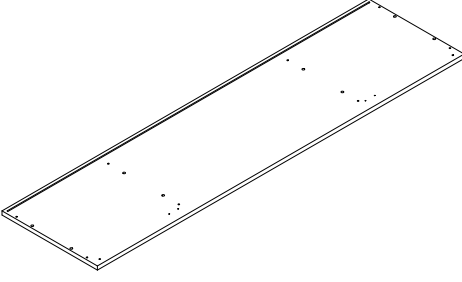
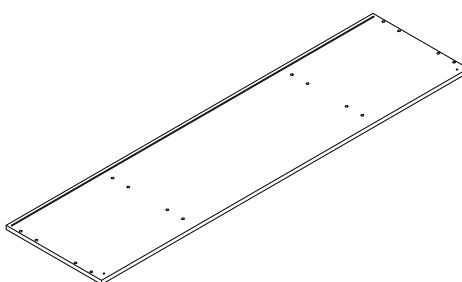
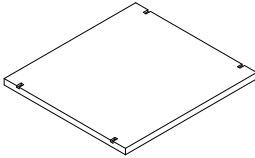
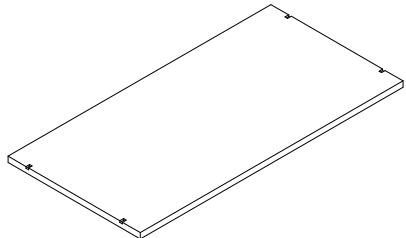
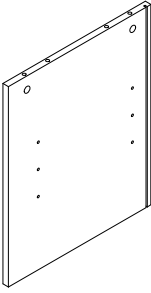
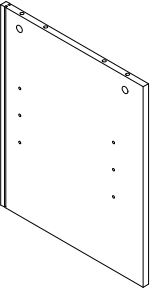
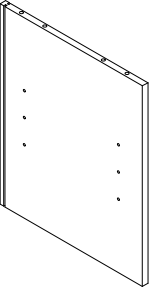
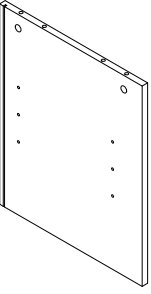
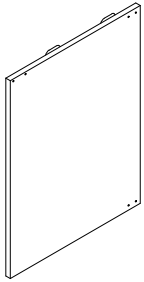
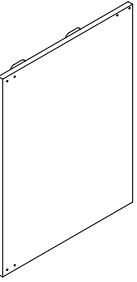
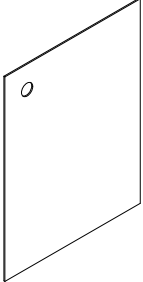
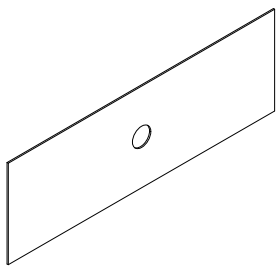
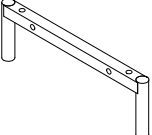
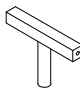
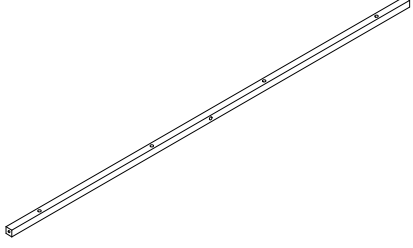
ASSEMBLY INSTRUCTION



ASSEMBLY INSTRUCTION

<p>A M6x30mm</p>  <p>X12</p>	<p>B M6x40mm</p>  <p>X6</p>	<p>C KM6x40mm</p>  <p>X8</p>	<p>D M15x11mm</p>  <p>X8</p>
<p>E M7x50mm</p>  <p>X8</p>	<p>F M3.5x16mm</p>  <p>X16</p>	<p>G M3.5x12mm</p>  <p>X12</p>	<p>H 8x50mm</p>  <p>X16</p>
<p>I M6</p>  <p>X5</p>	<p>J</p>  <p>X2</p>	<p>K Left</p>  <p>X2</p>	<p>L right</p>  <p>X2</p>
<p>M</p>  <p>X12</p>	<p>N</p>  <p>X12</p>	<p>O 716mm</p>  <p>X1</p>	<p>P M6</p>  <p>X1</p>

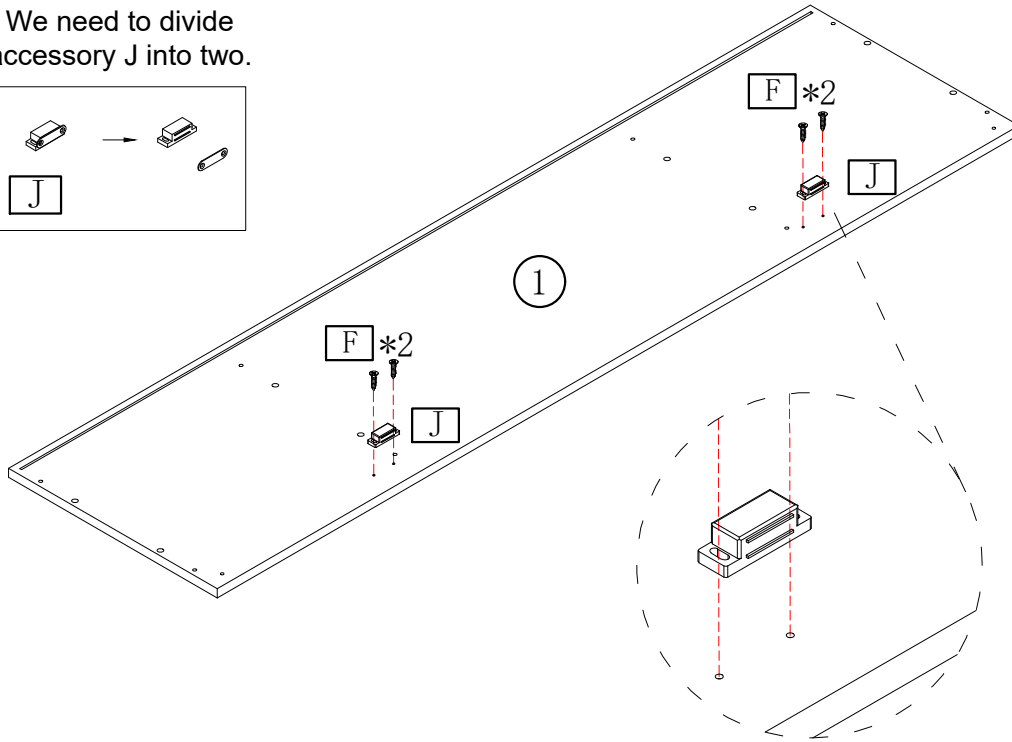
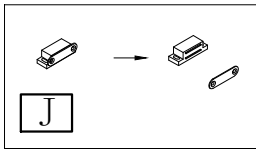
ASSEMBLY INSTRUCTION


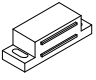
<p>①</p>  <p>X1</p>	<p>②</p>  <p>X1</p>	<p>③</p>  <p>X2</p>
<p>④</p>  <p>X1</p>	<p>⑤</p>  <p>X1</p>	<p>⑥</p>  <p>X1</p>
<p>⑦</p>  <p>X1</p>	<p>⑧</p>  <p>X1</p>	<p>⑨</p>  <p>X1</p>
<p>⑩</p>  <p>X1</p>	<p>⑪</p>  <p>X2</p>	<p>⑫</p>  <p>X2</p>
<p>⑬</p>  <p>X2</p>	<p>⑭</p>  <p>X1</p>	<p>⑮</p>  <p>X2</p>

ASSEMBLY INSTRUCTION

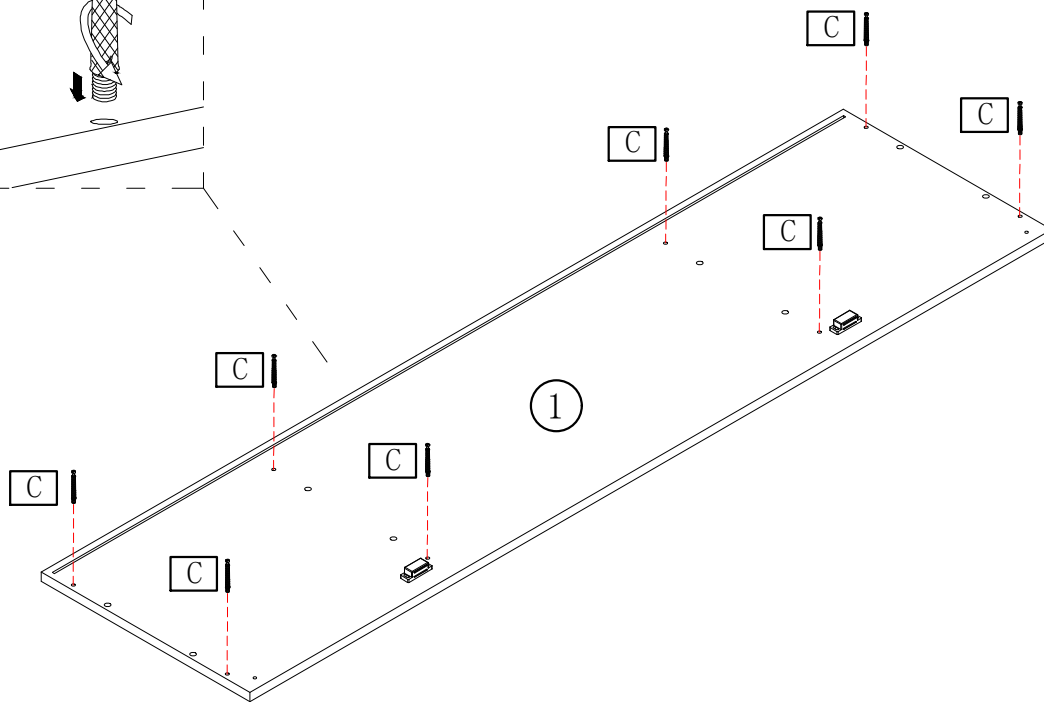
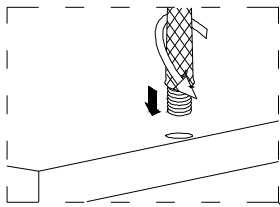
STEP 1


We need to divide accessory J into two.



F M3.5*16	J
	
*4	*2

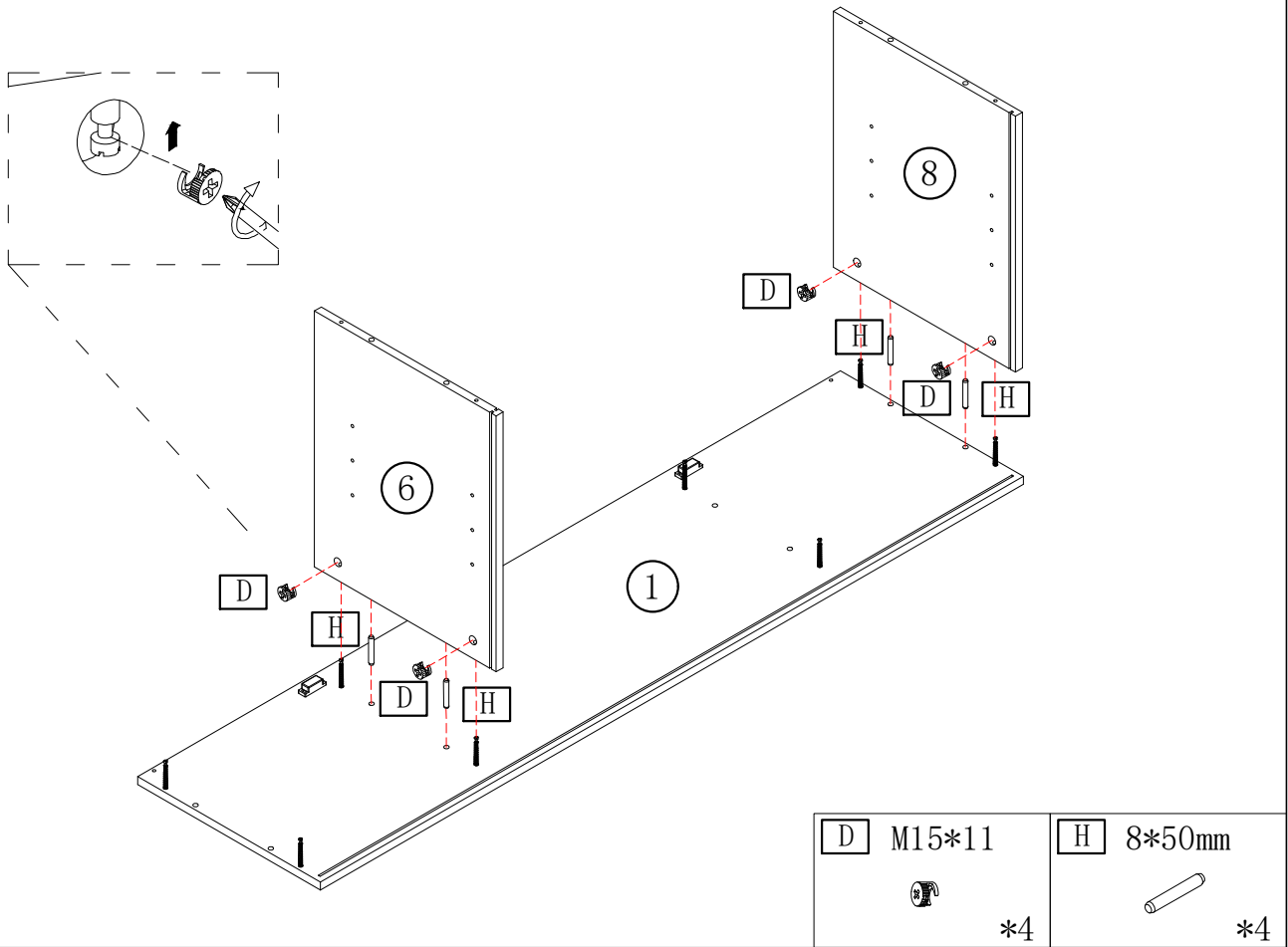
STEP 2



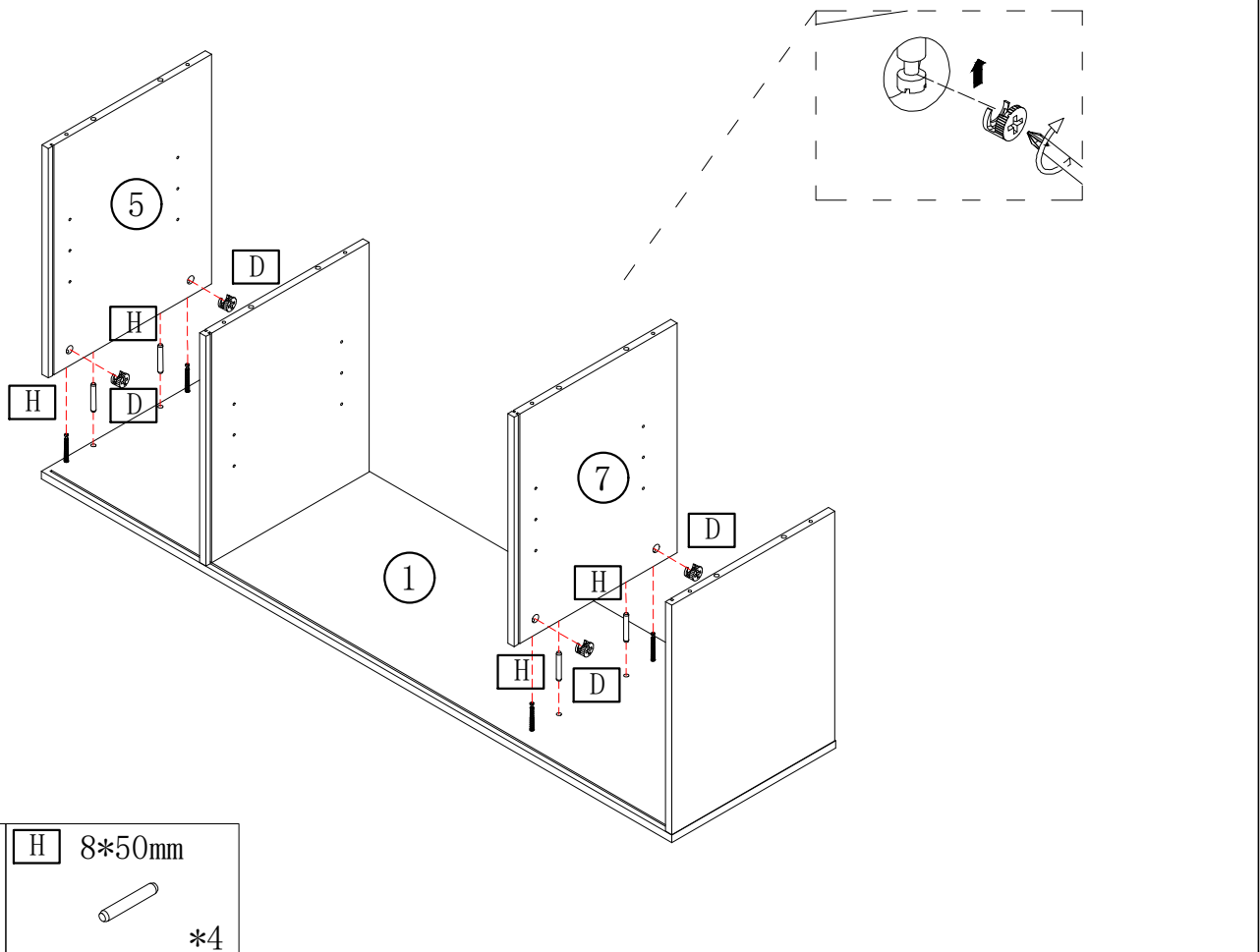
C KM6*40

*8

ASSEMBLY INSTRUCTION

STEP 3

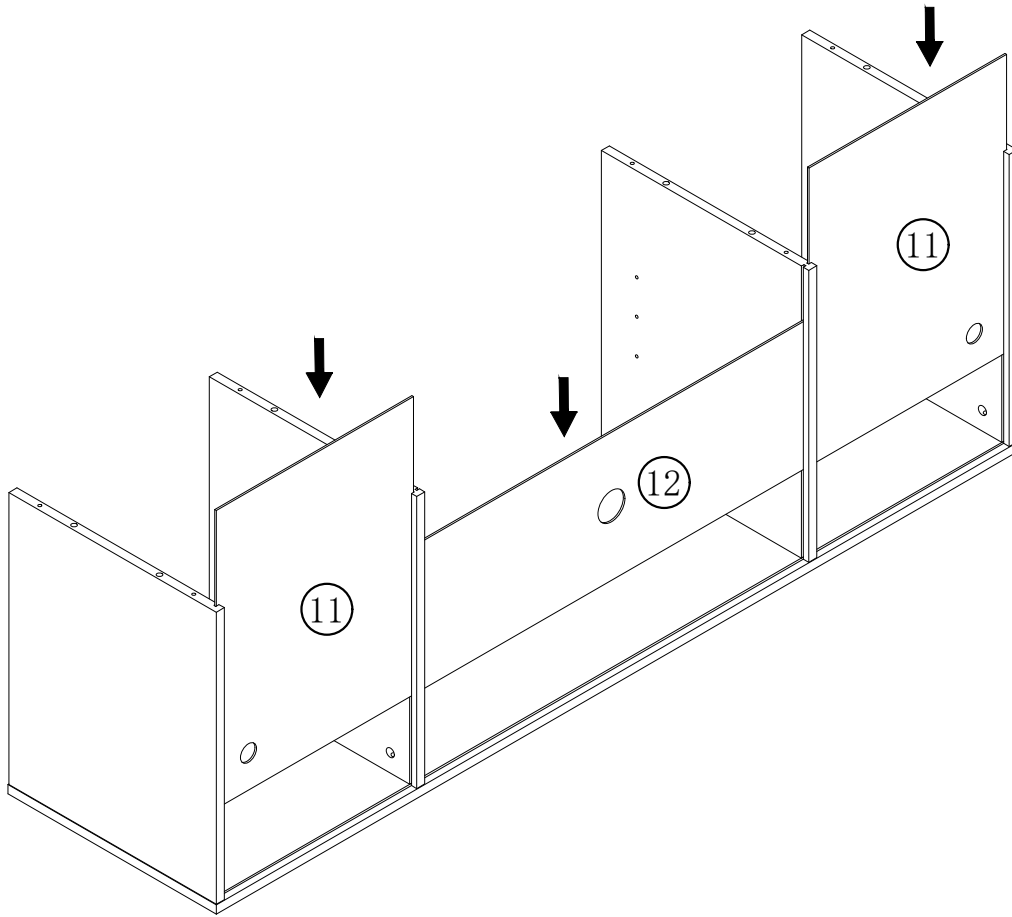


STEP 4

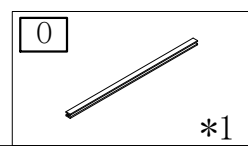
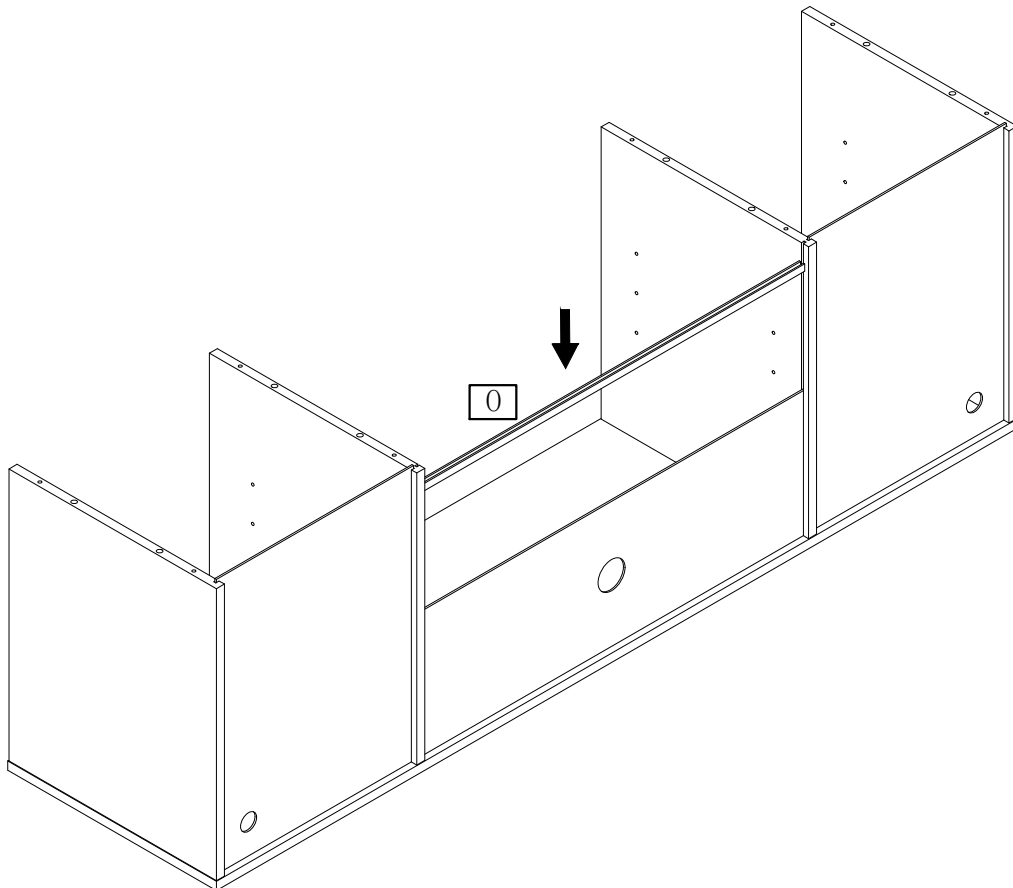


ASSEMBLY INSTRUCTION

STEP 5

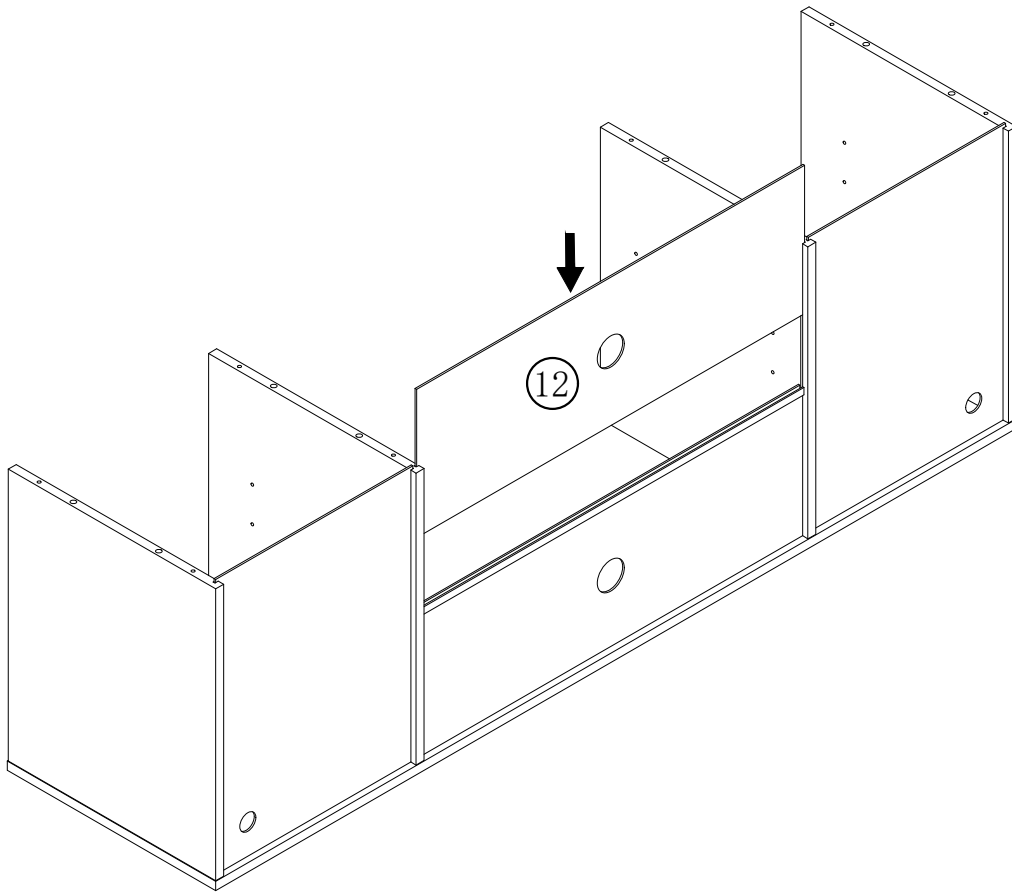


STEP 6

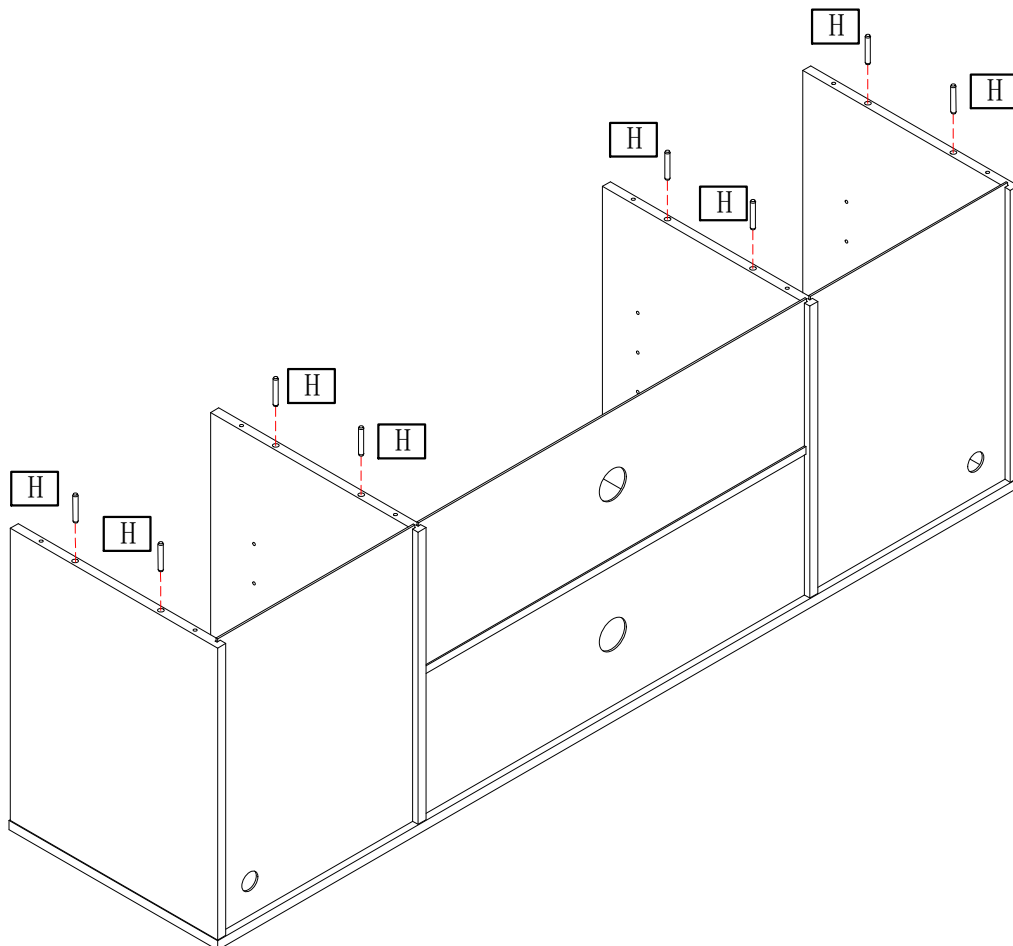


ASSEMBLY INSTRUCTION

STEP 7



STEP 8



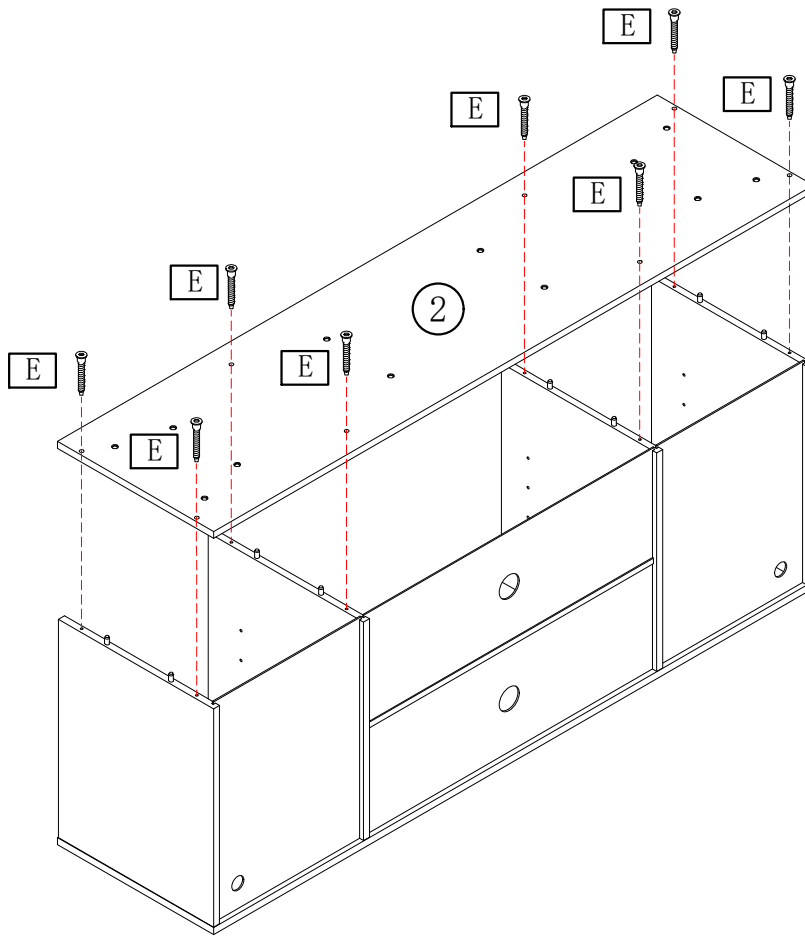
H 8*50mm




*8

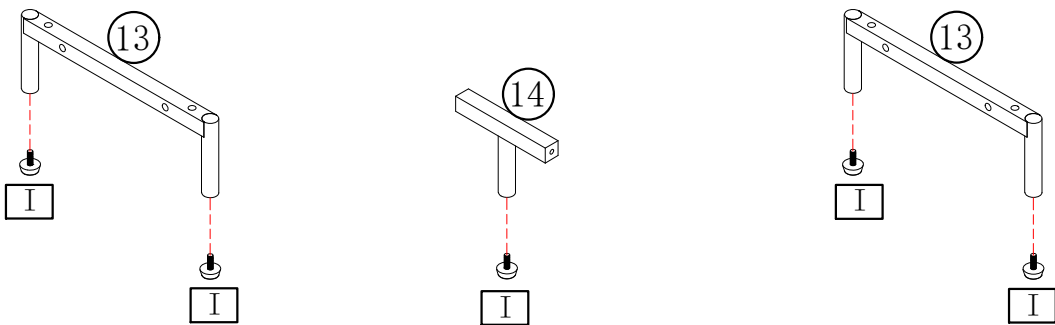
ASSEMBLY INSTRUCTION


STEP 9



E	M7*50
	
*8	

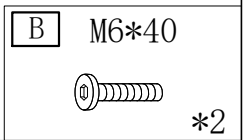
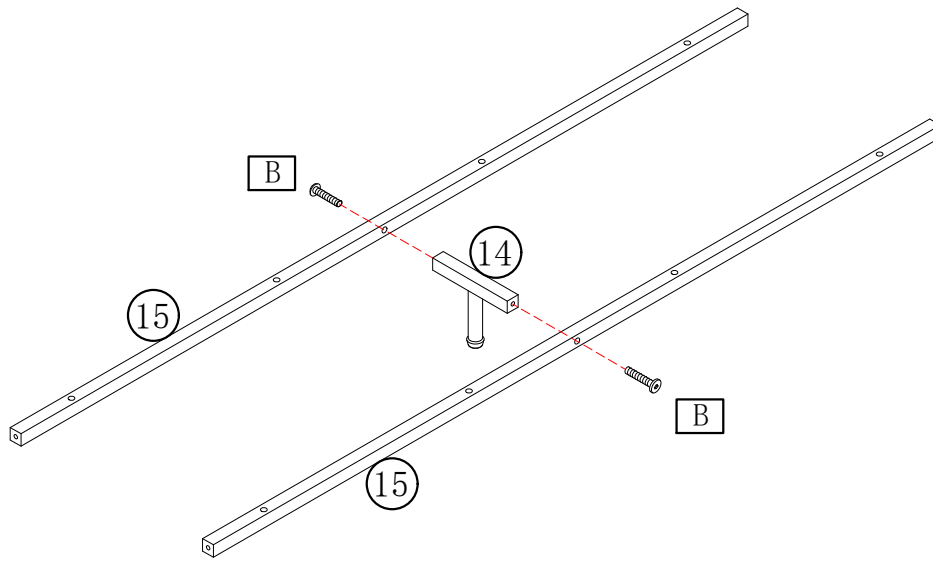
STEP 10



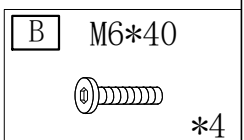
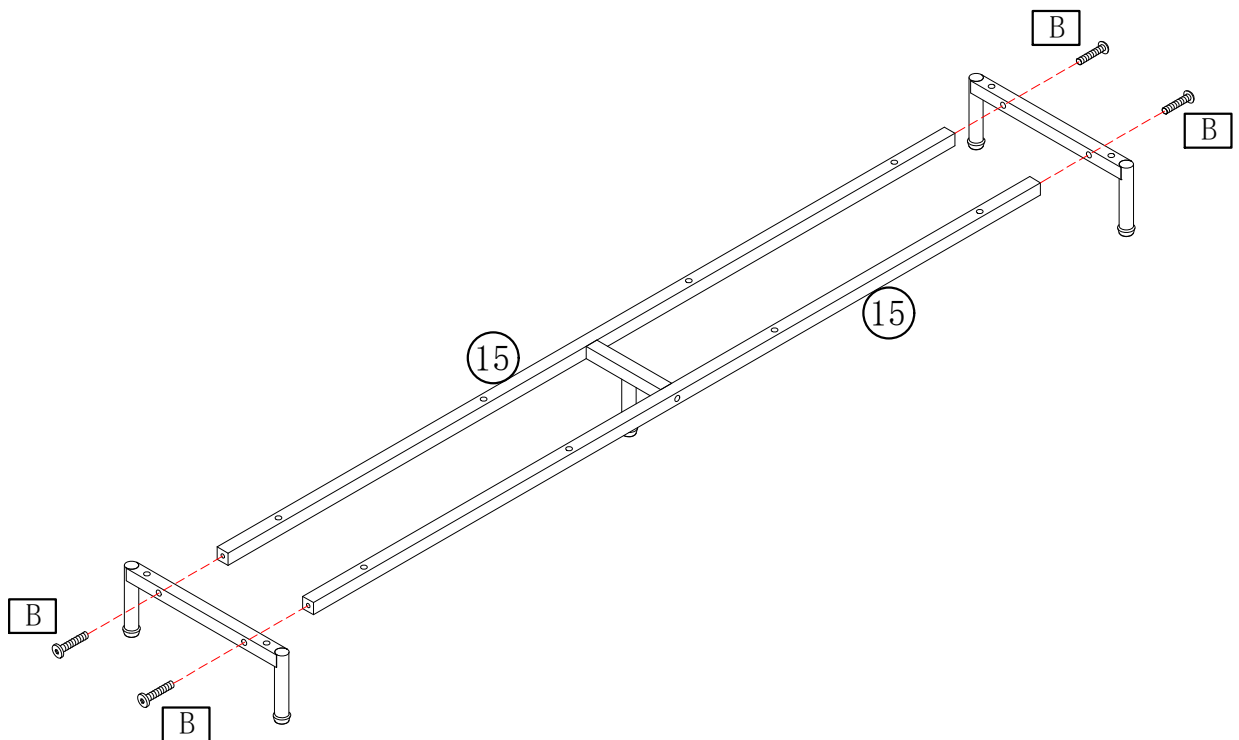
I	M6
	
*5	

ASSEMBLY INSTRUCTION

STEP 11

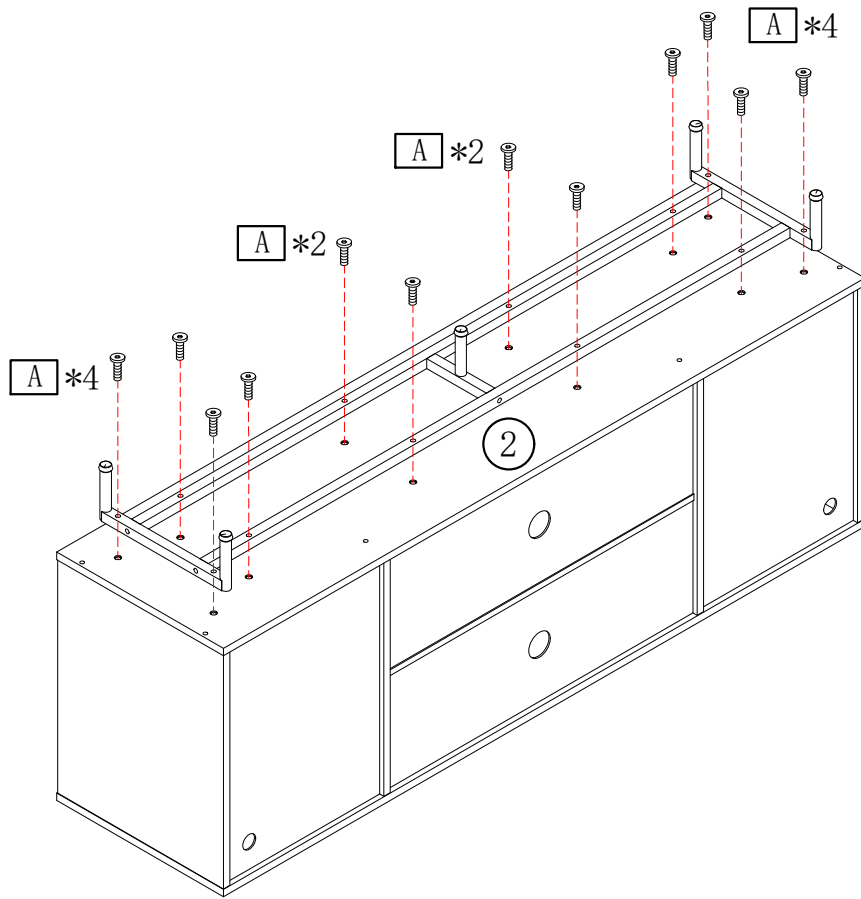


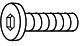
STEP 12



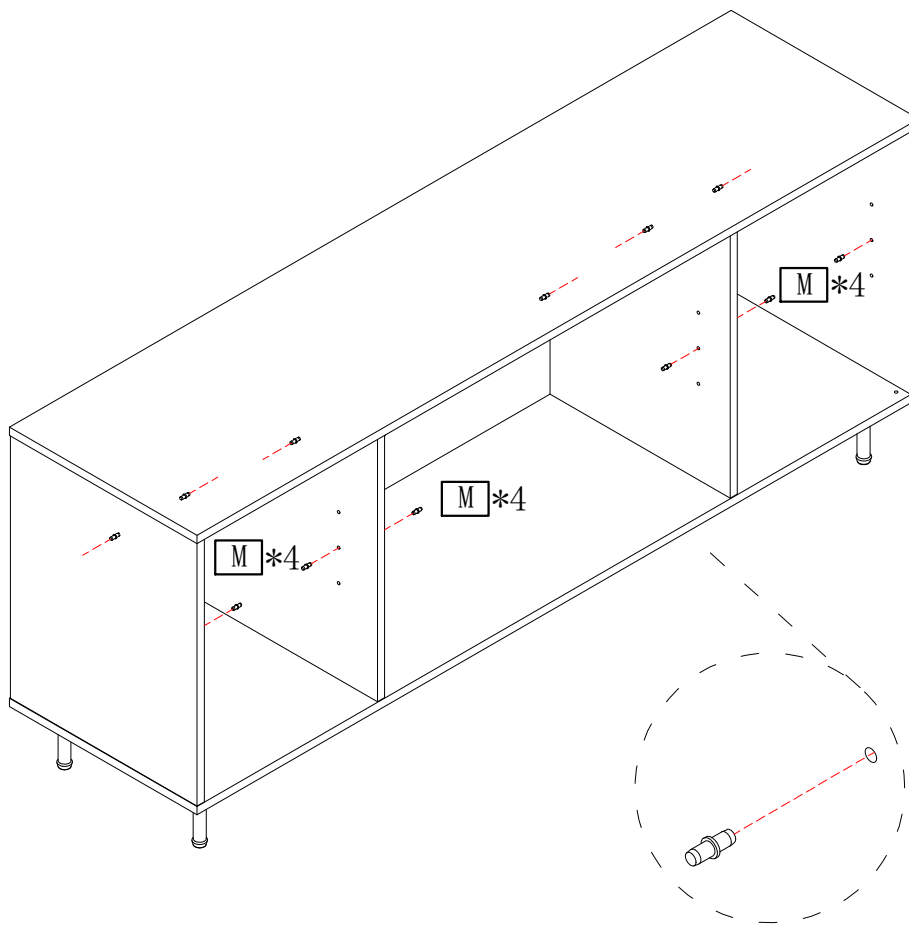
ASSEMBLY INSTRUCTION


STEP 13



A M6*30
 *12

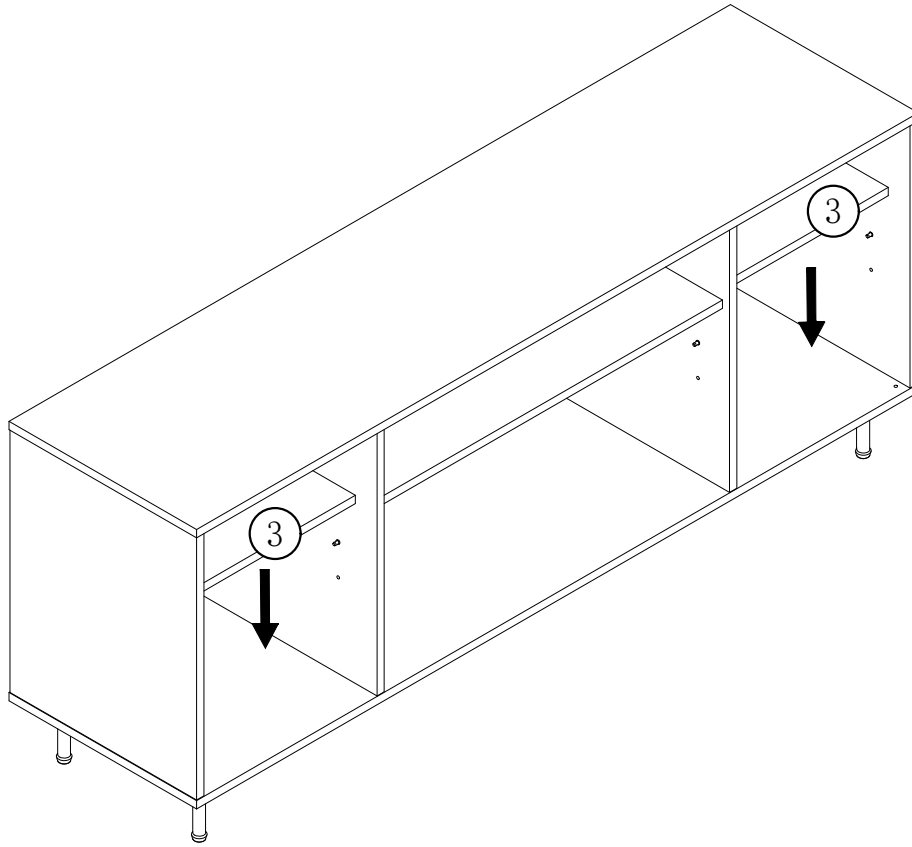
STEP 14



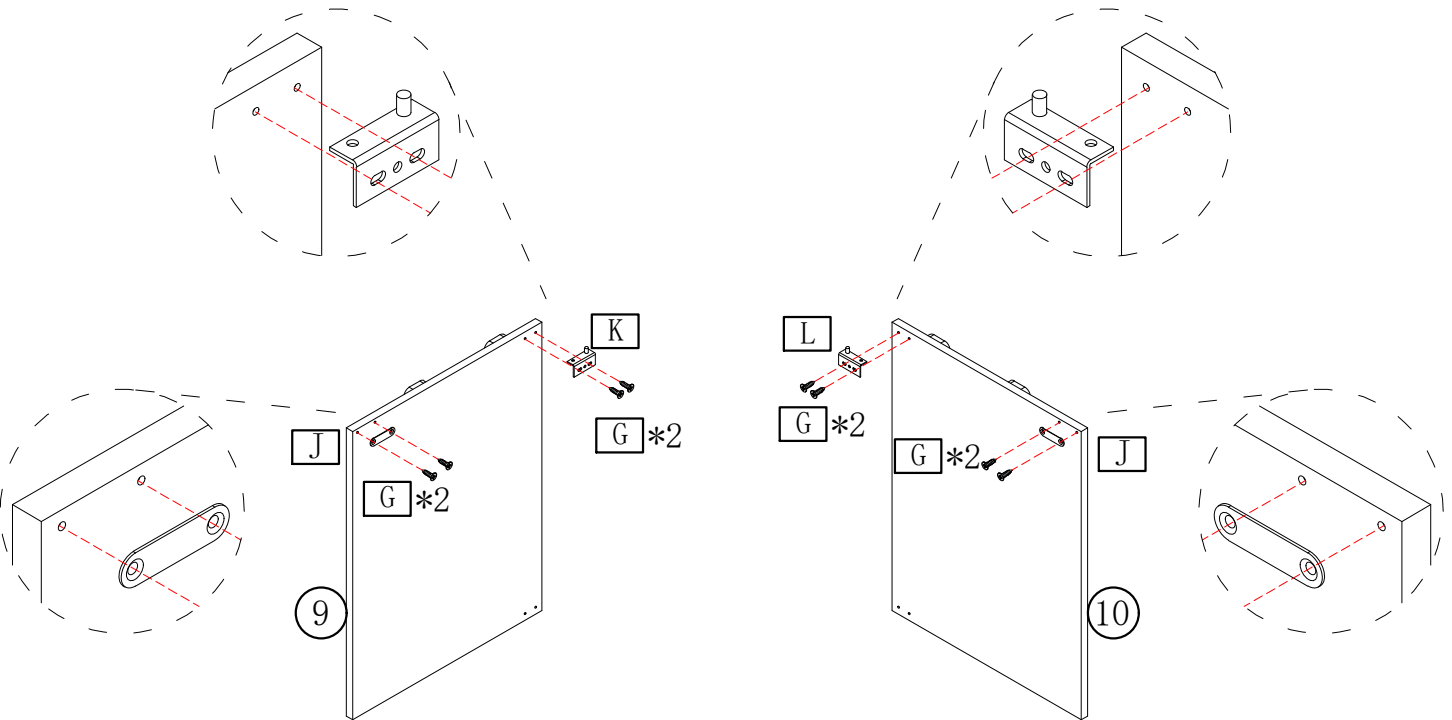
M
 *12



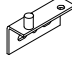
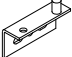
ASSEMBLY INSTRUCTION

STEP 15



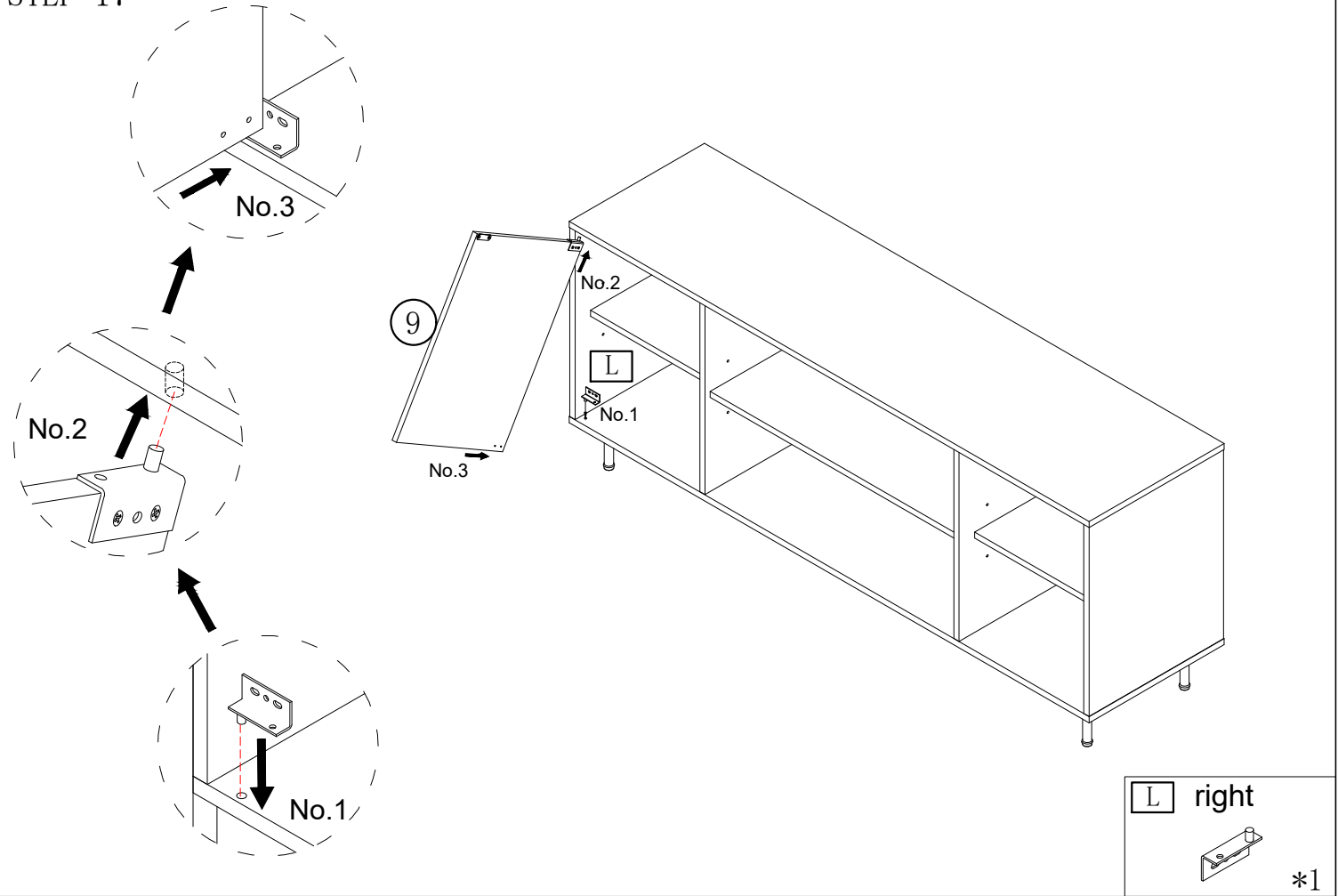
STEP 16



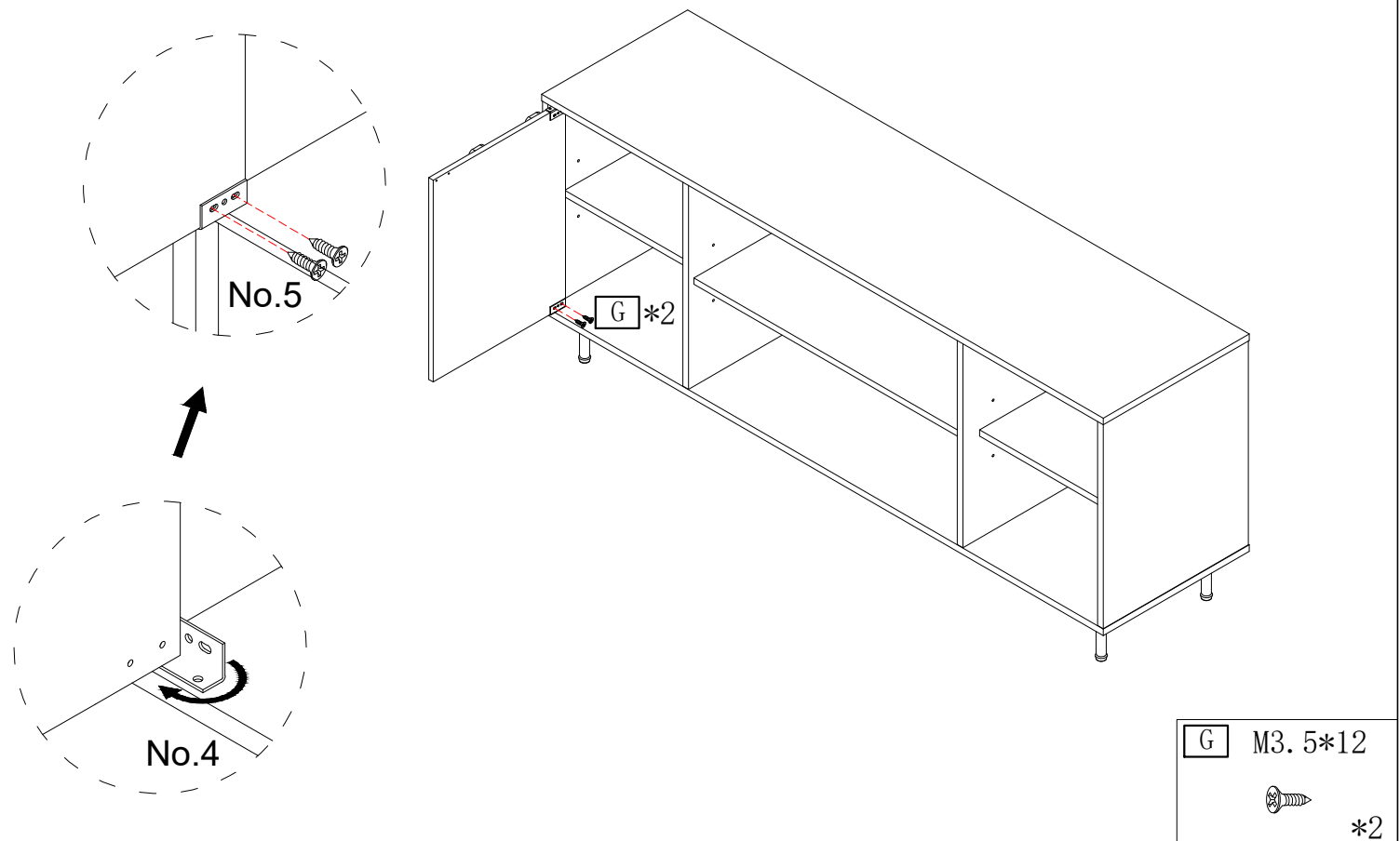
G M3.5*12  *8	J  *2	K Left  *1	L right  *1
---	---	--	---

ASSEMBLY INSTRUCTION

STEP 17

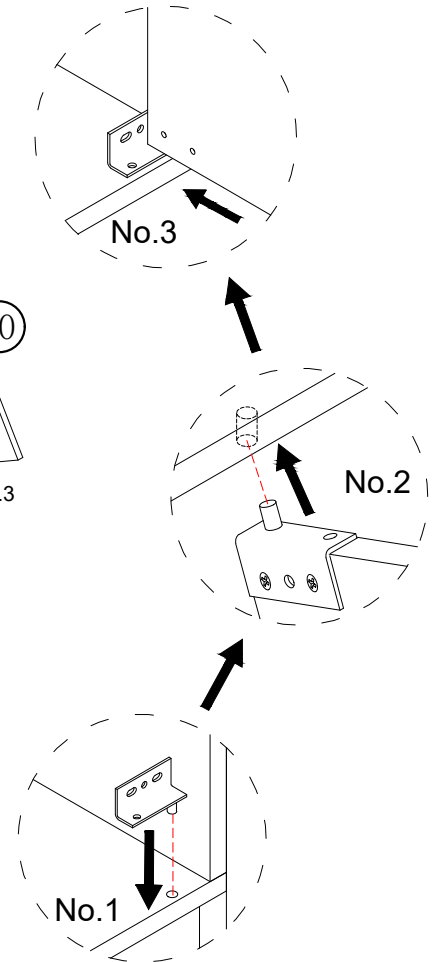
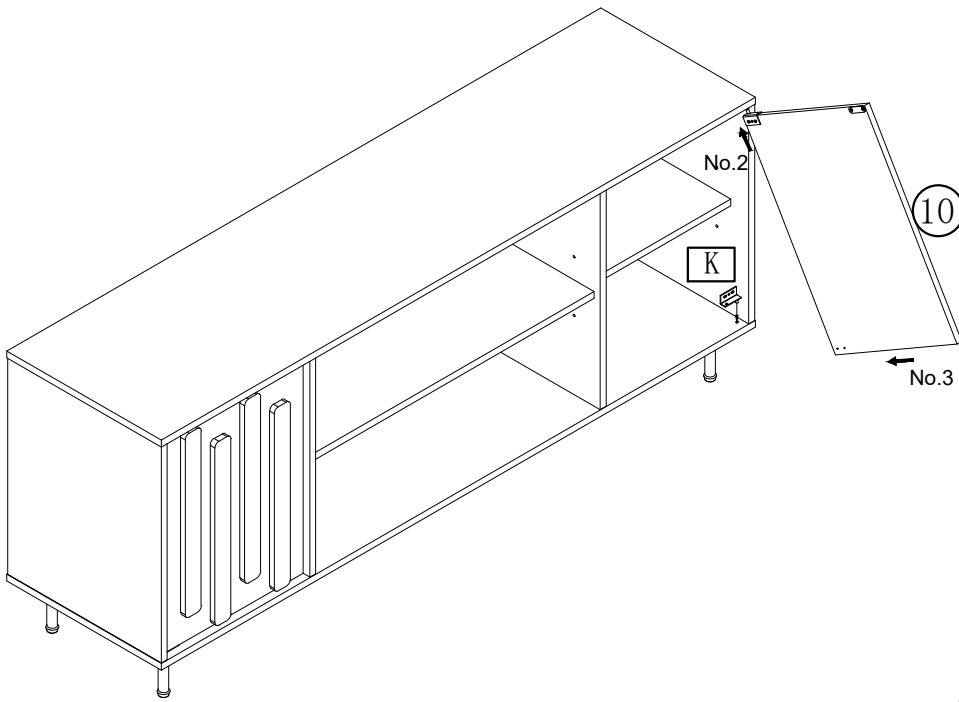


STEP 18



ASSEMBLY INSTRUCTION

STEP 19

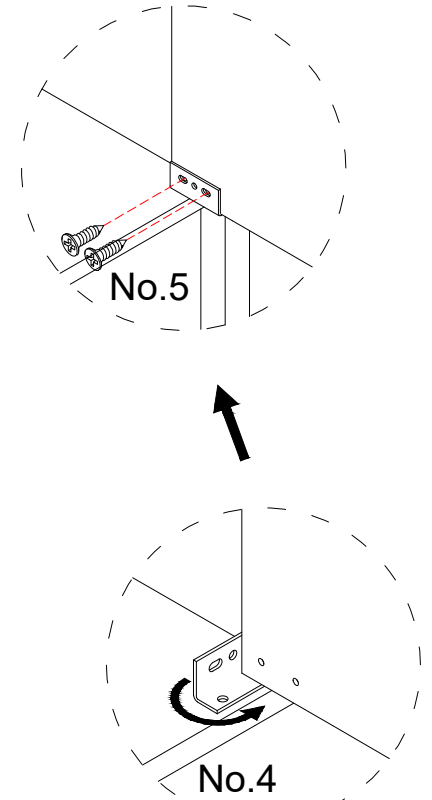
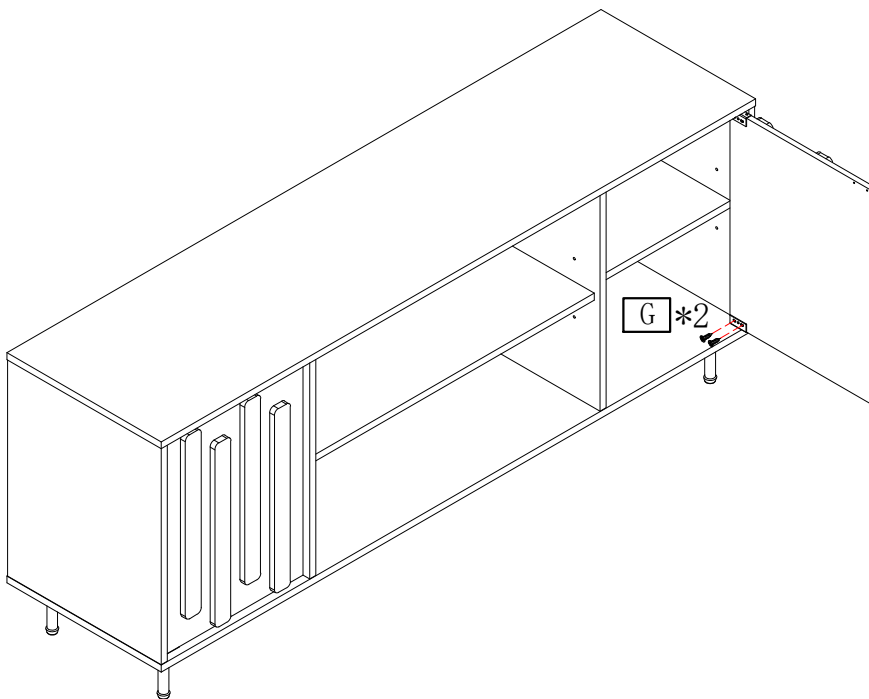


K Left



*1

STEP 20



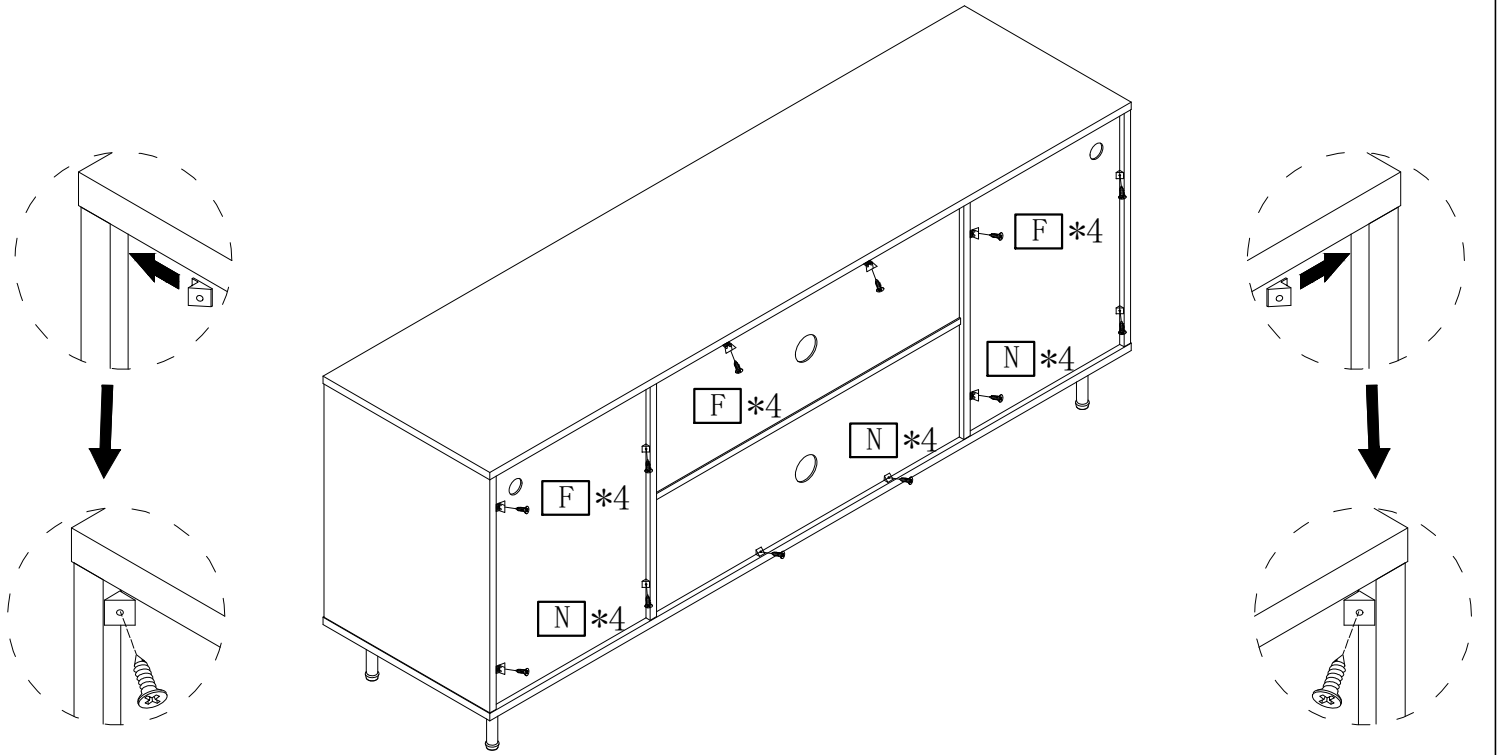
G M3. 5*12





*2

ASSEMBLY INSTRUCTION

STEP 21



F M3.5*16	N
	
*12	*12

STEP 22

