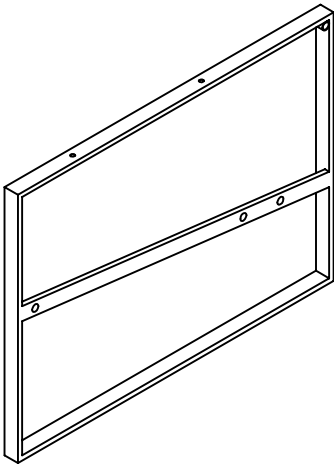
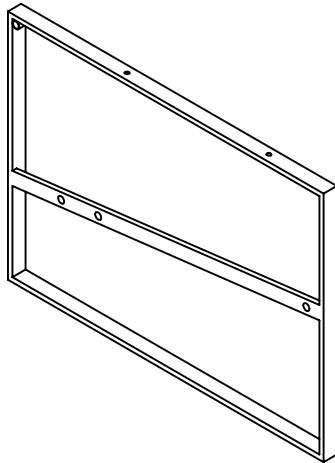


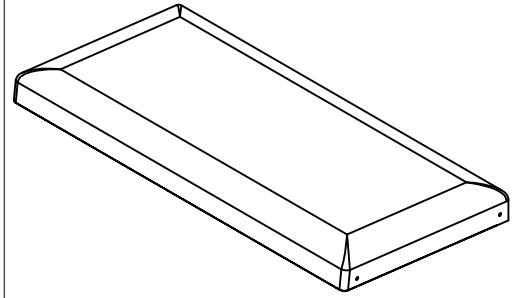
Part list



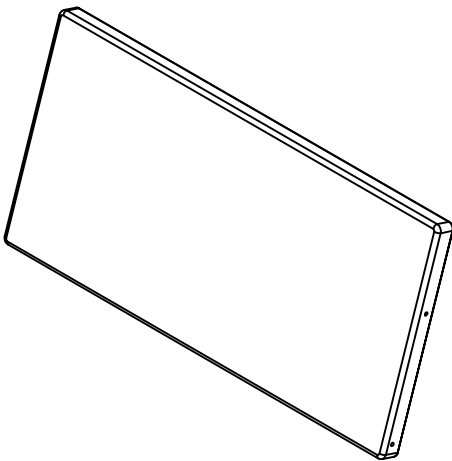
① X1



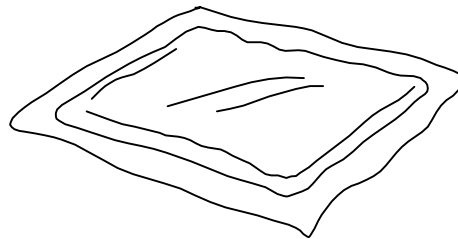
② X1



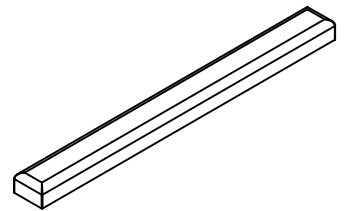
③ X1



④ X1

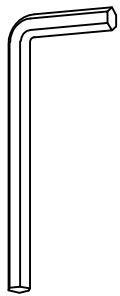


⑤ X2

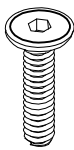


⑥ X2

Hardware list



AX1



M8*40mm

BX8



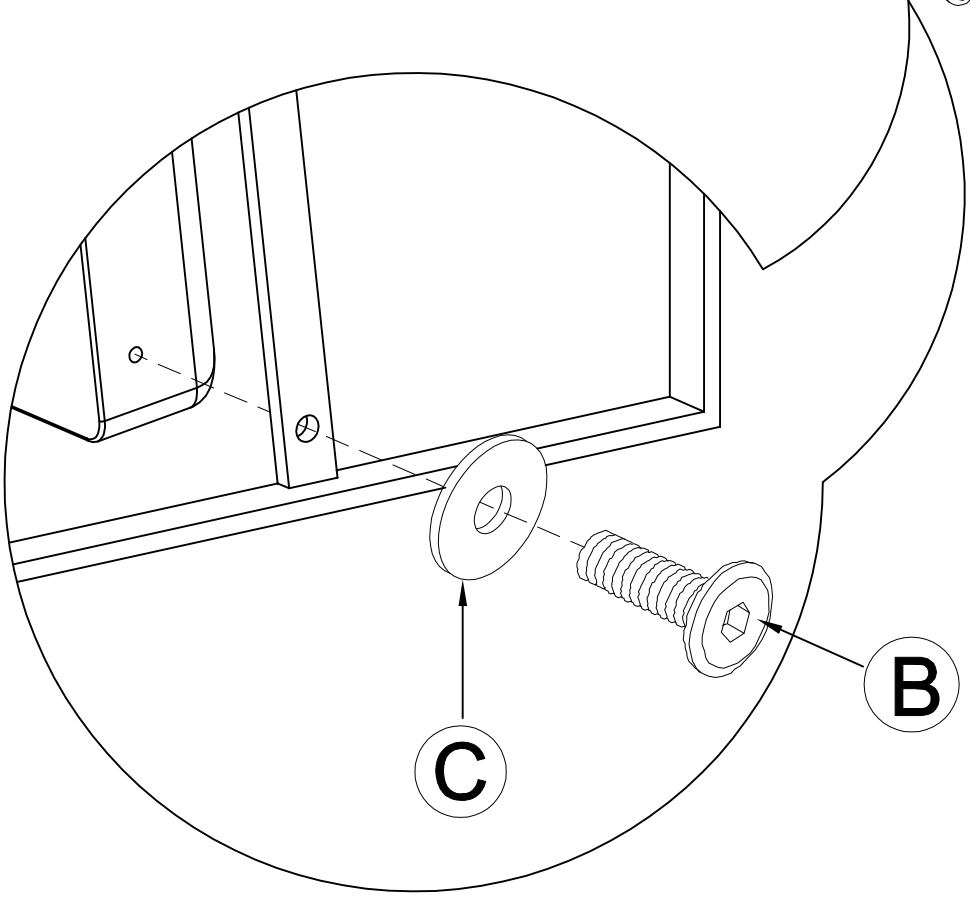
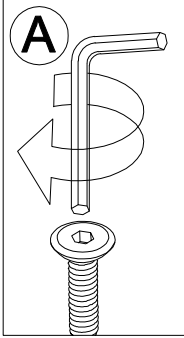
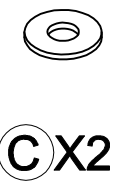
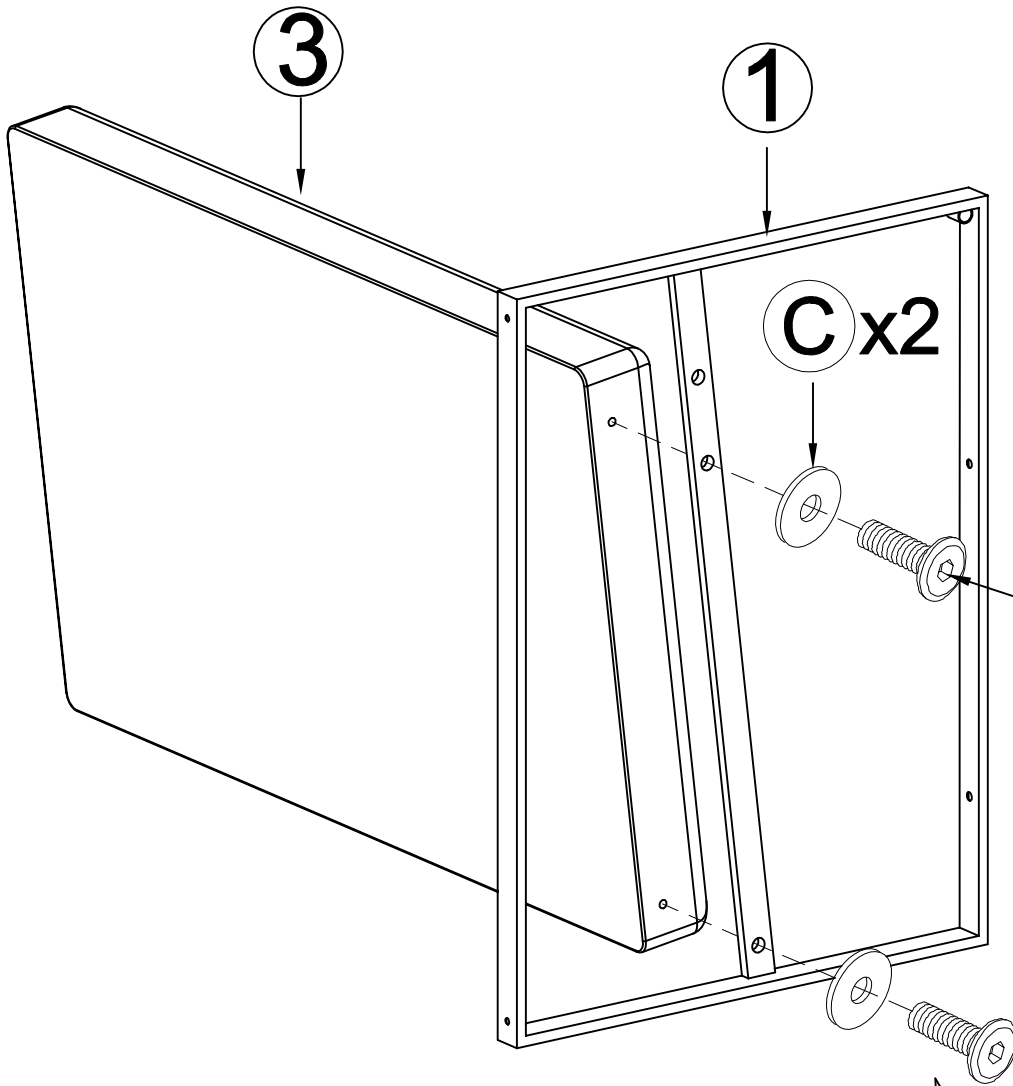
CX6



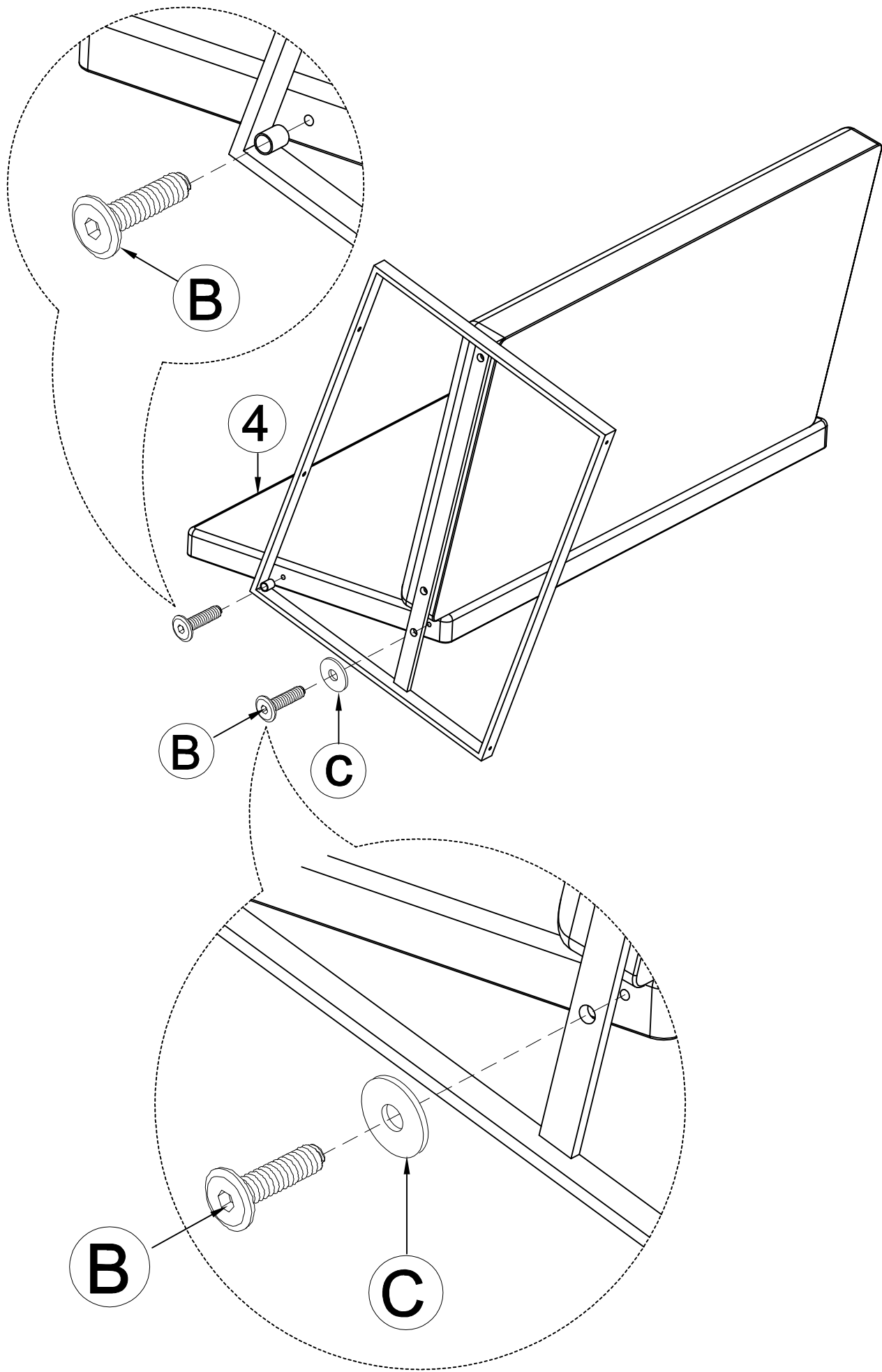
M6*20mm



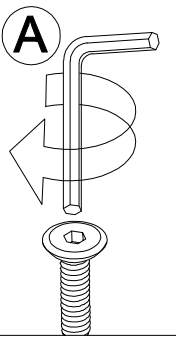
DX4

Step 1

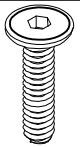


Step2



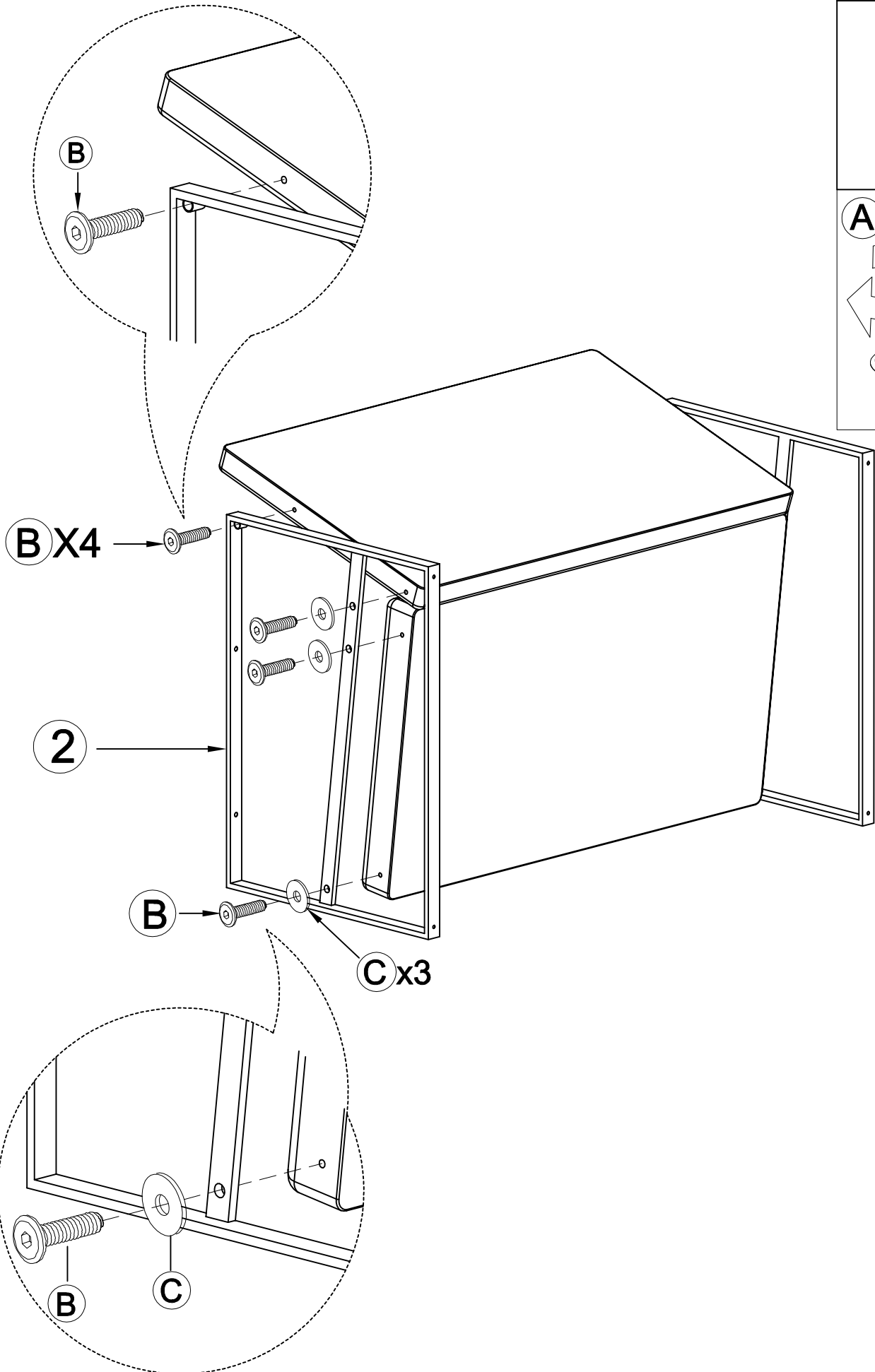
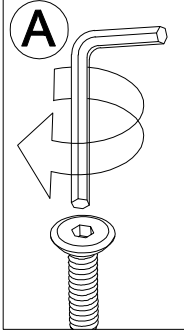
 B X2 M8*40mm
 C X1
 A

Step3

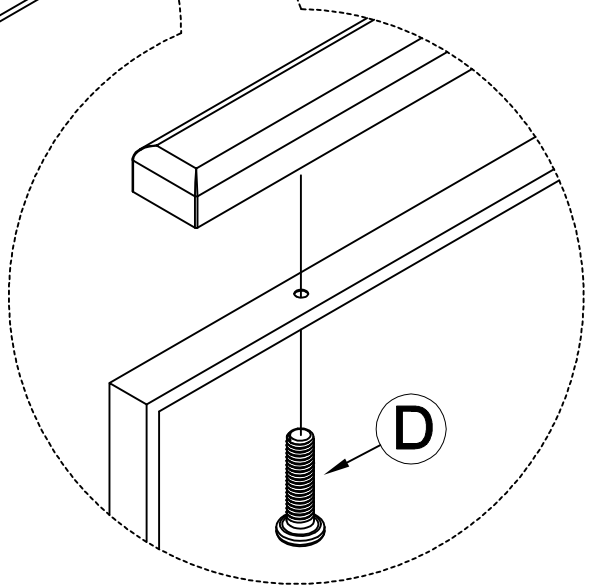
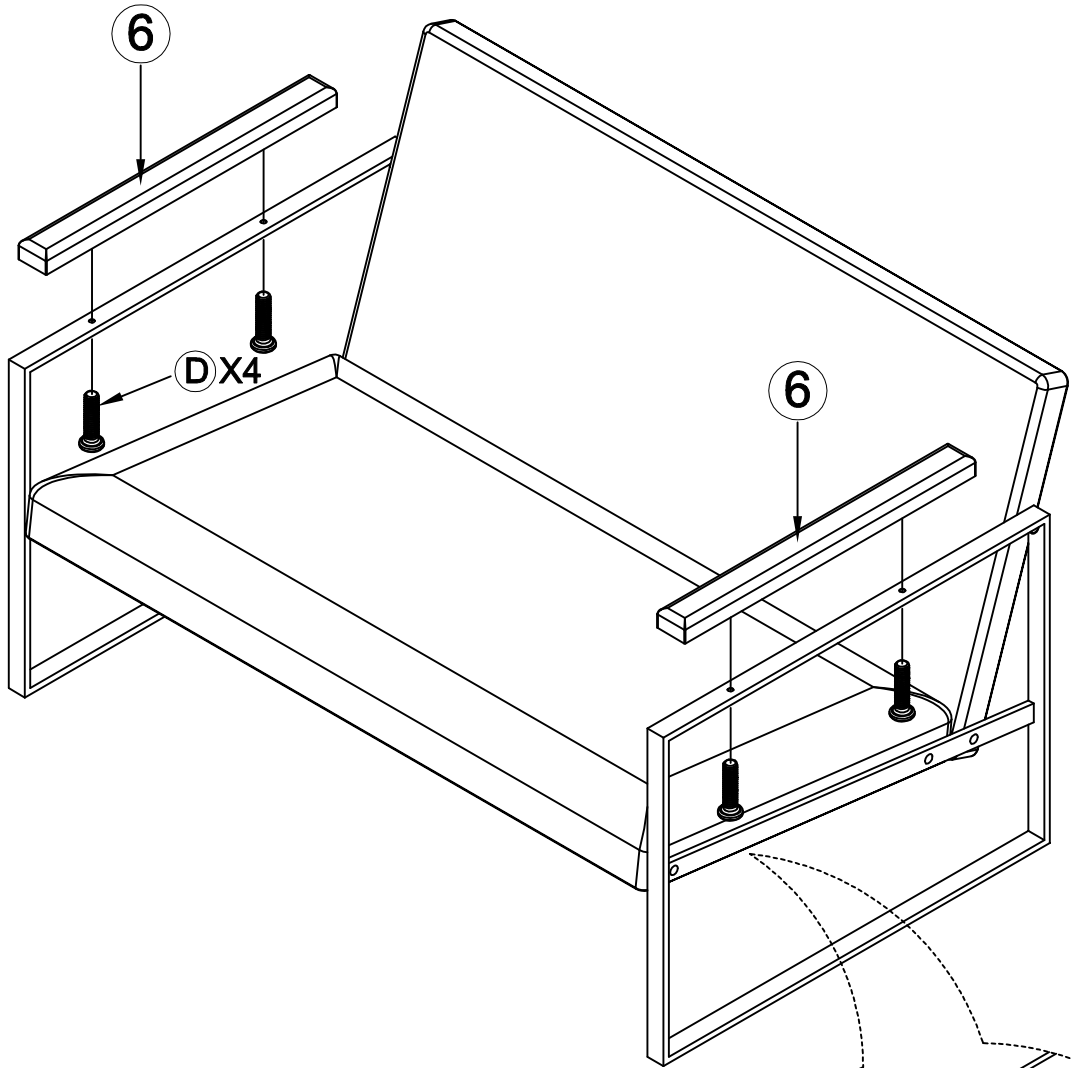
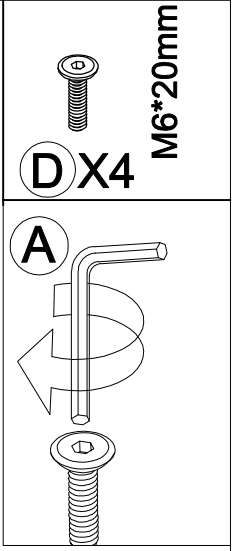

B X4
M8*40mm



C X3



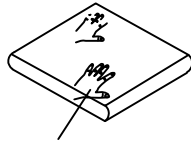
Step4



Step5

TIPS:

- 1, Please do not open the compress packaging until your sofa frame is completely assembled.
- 2, Compress cushions or pillows need to fully fluffed within 72 hours for your perfect use.
- 3, Please keep children away from plastic bag or any small pieces of stuff.
- 4, After assembly is completed, don't forget to pat the back cushions and seat cushions, make them recovering better. And wait 72 hours for fully rebound.

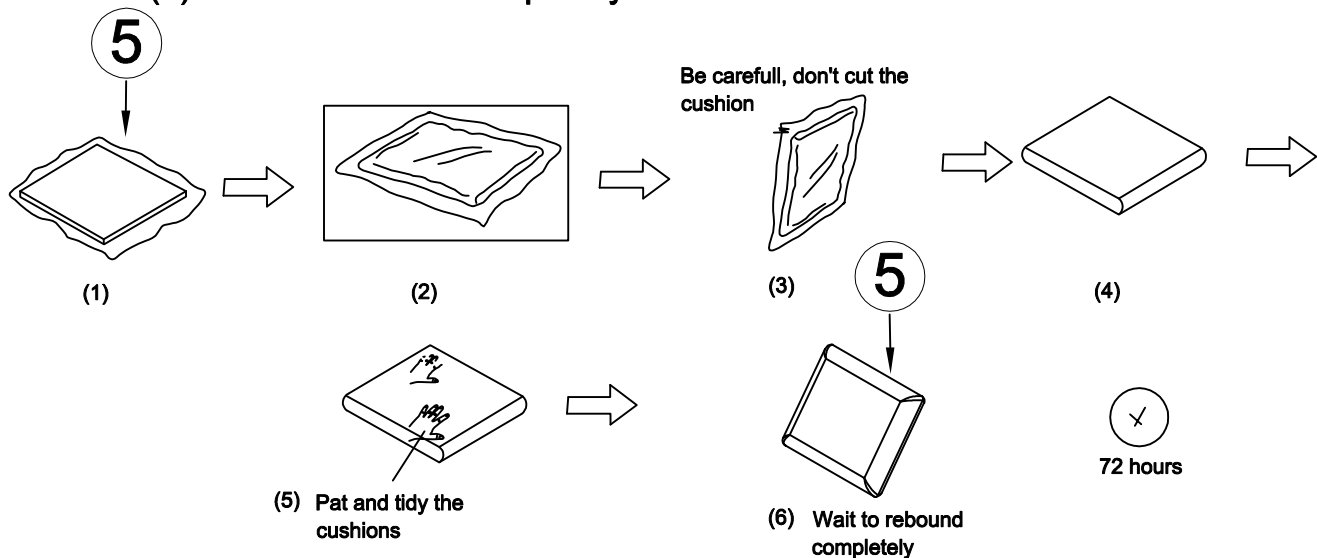


Pat and tidy the cushions

- 5, Cushions should be regularly maintained for perfect use.

STEPS for compressed pack:

- (1)open the carton -- (2) take out the compressed pack -- (3) cut from edge and take out the cushion -- (4) Put the cushion on floor -- (5) Pat and tidy the cushion --(6) Wait to rebound completely after 72 hours.



CAUTION :

PLEASE DO NOT OPEN COMPRESSED PLASTIC CUSHION BACK UNTIL YOUR SOFA FRAME IS COMPLETELY ASSEMBLED, OTHERWISE, IT CAN'T BE REPACKED IN ORIGINAL PACKING WAY TO RETURN.

Step 6

