


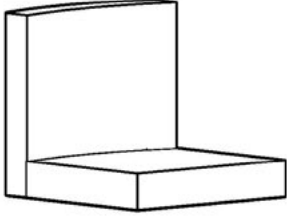




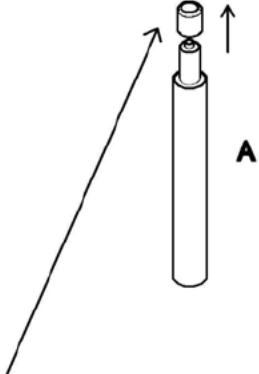


Product Assembly Instructions

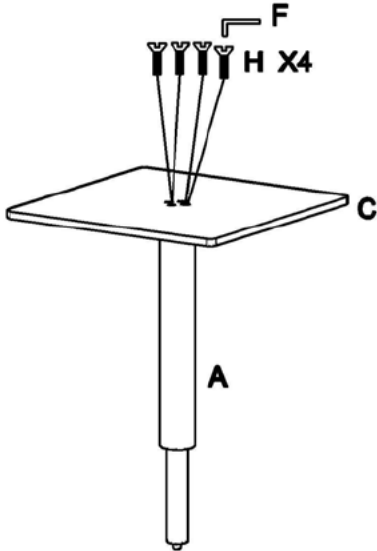
				 E; Washer x4  F; Allen wrench x2  G; Bolt M6*18mm x4  H; Bolt M6*25mm x4
A: gas spring x1	B: Footrest x1	C: Bottom plate x1	D: seat x1	

STEP 1

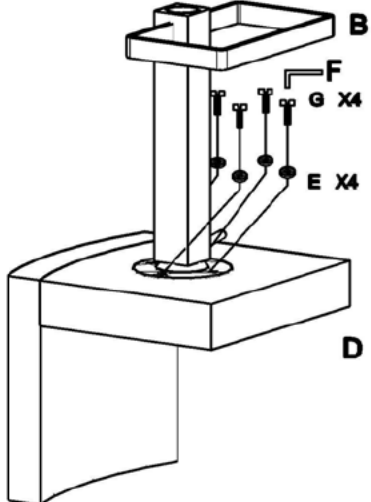


IMPORTANT:
remove black cap before assembling

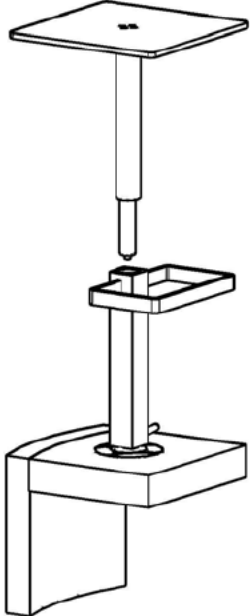
STEP 2



STEP 3



STEP 4



STEP 5

