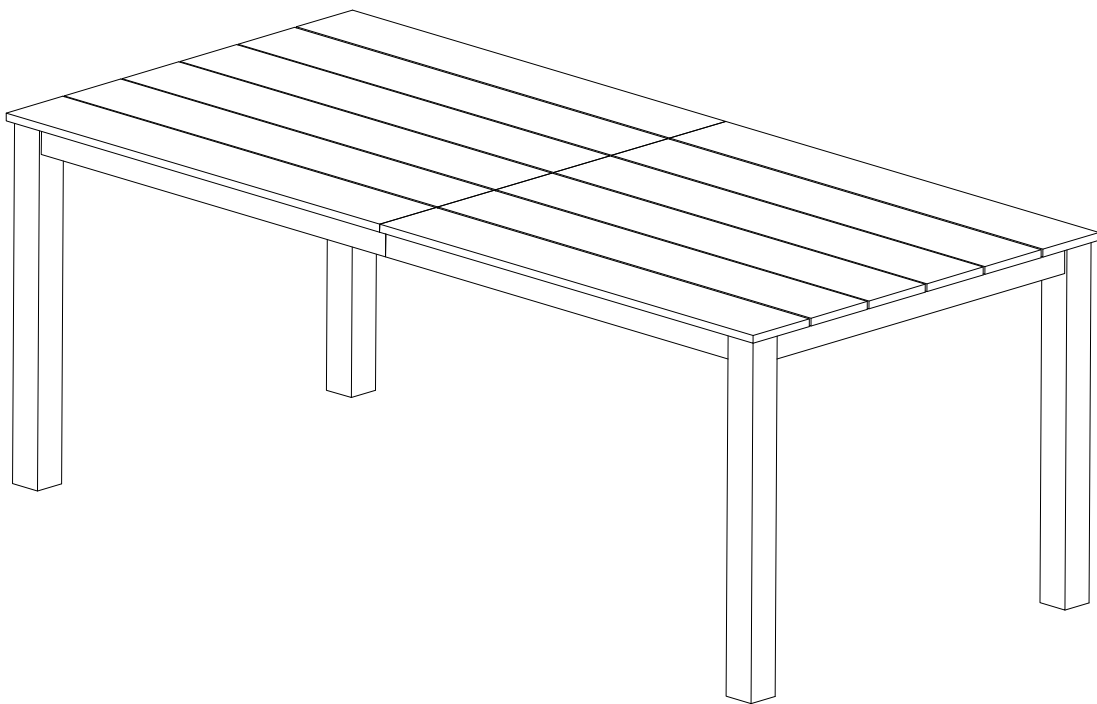


Assembly Instructions

CAUTION: You must read this before you proceed.

TABLE

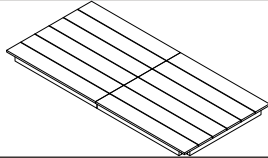




CAUTION : This Table is NOT a TOY.

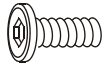
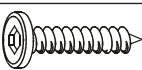

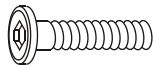
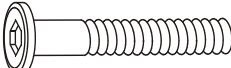
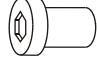


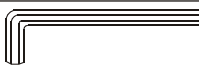
Keep your child / children at bay in the process of assembly.

For turning the Table and to prevent damage to the Table 02 persons may be needed to execute this action

Parts List

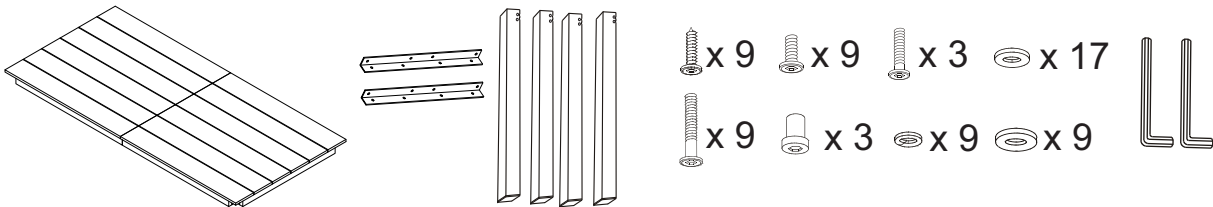
Label	Picture	Description	Qty
A		Table Top	1
B		Legs	4
C		Support Bars	2

Hardware

No.	Picture	Description	Qty
①		Bolt (M6 x 20mm)	9
②		Screws (M6 x 30mm)	9
③		Washers (M8.5/20 x 2mm)	9
④		Bolts (M6 x 45mm)	3
⑤		Bolts (M8 x 60mm)	9
⑥		Sleeve Nuts	3
⑦		Spring Washers M8	9
⑧		Washers (M6/16 x 2mm)	17
⑨		Allen Keys	2

Assembly Preparation

Before Beginning Assembly:



Read instructions, cover to cover.



Have 2 adults on hand for assembly.



Do not assemble on flooring or carpet.



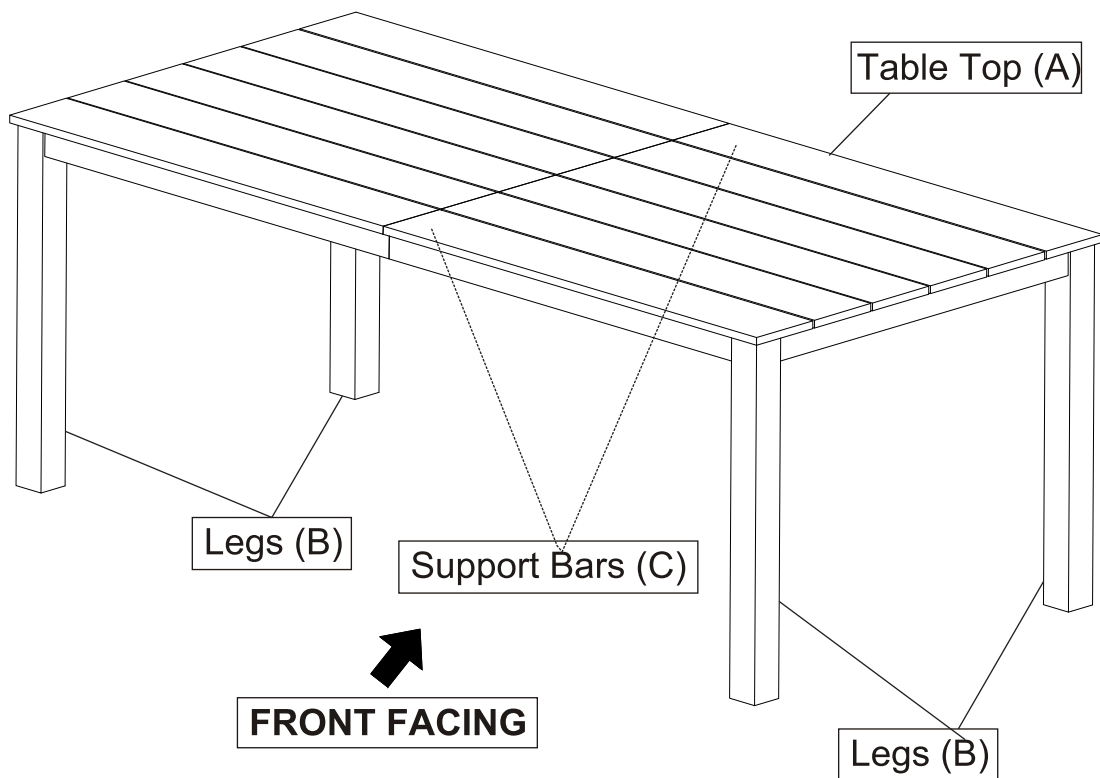
Assemble on a clean non-marring surface (packing foam).



Save all packaging until finished.

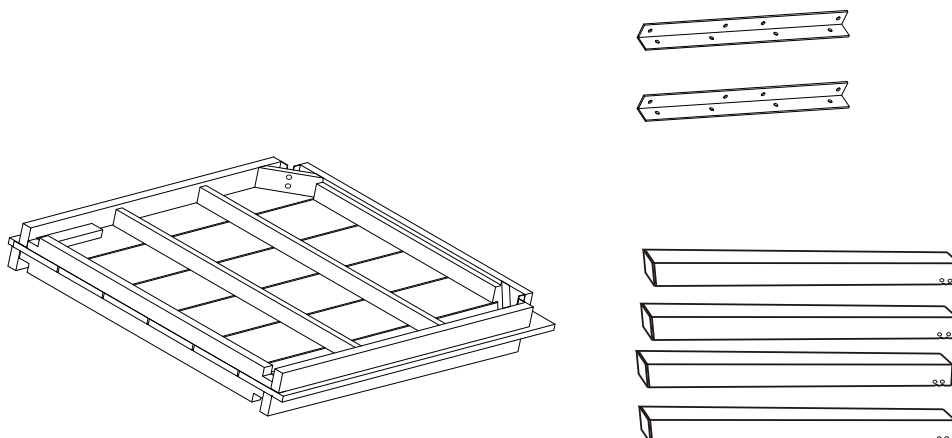
Assembly Steps

OVERVIEW



This Table has multiple parts and may require up to some 30 minutes to assemble. To give you an overview of the table, the above picture is to help you put the various parts into perspective. Please read through the instructions here below to familiarise the parts and steps before assembly.

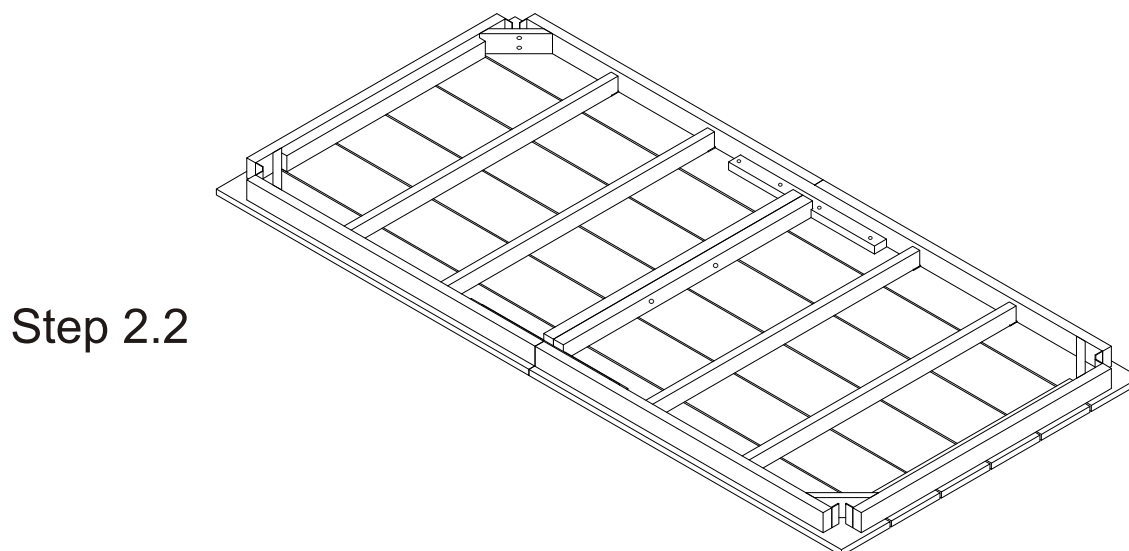
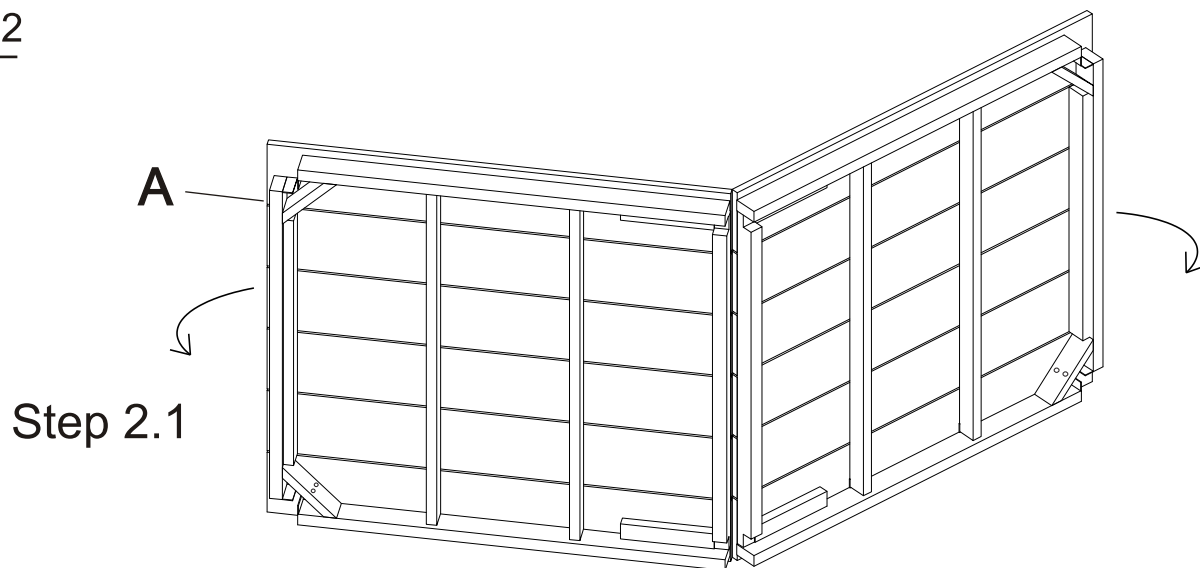
Step 1



Unpack and place all parts on a clean, non-marring surface.

Assembly Steps

Step 2



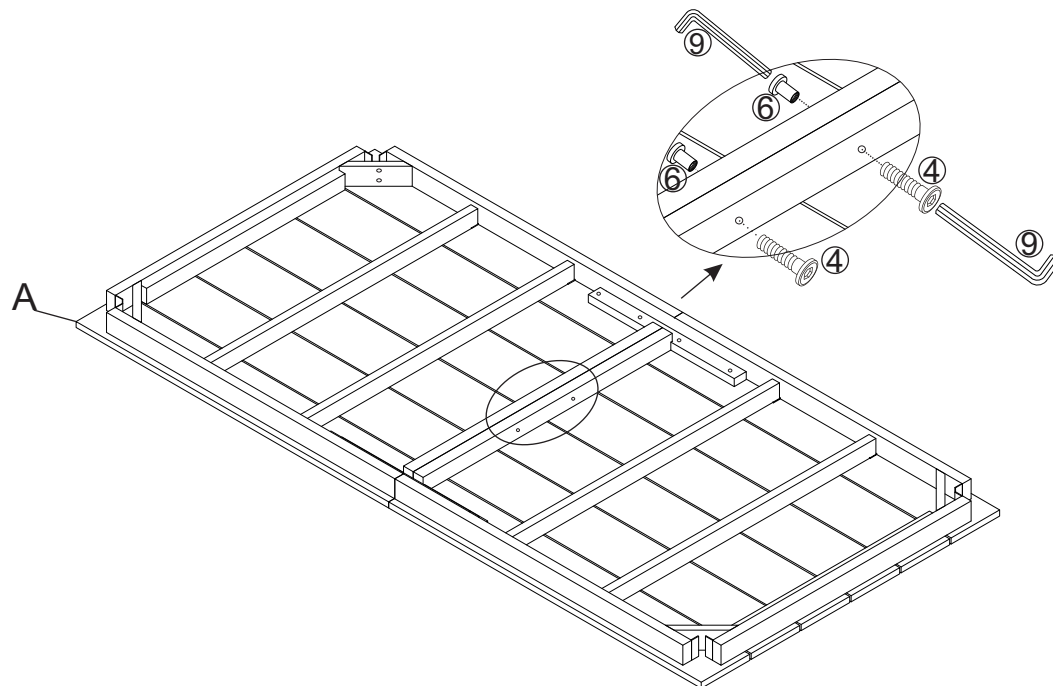
With the help from your partner

2.1: Place the Table Top (A) on one side as picture above. Slightly open the table top as the arrow.

2.2: Place the Table Top (A) with its underside skywards onto a clean, soft surface to avoid any scratches or damages to the product.

Assembly Steps

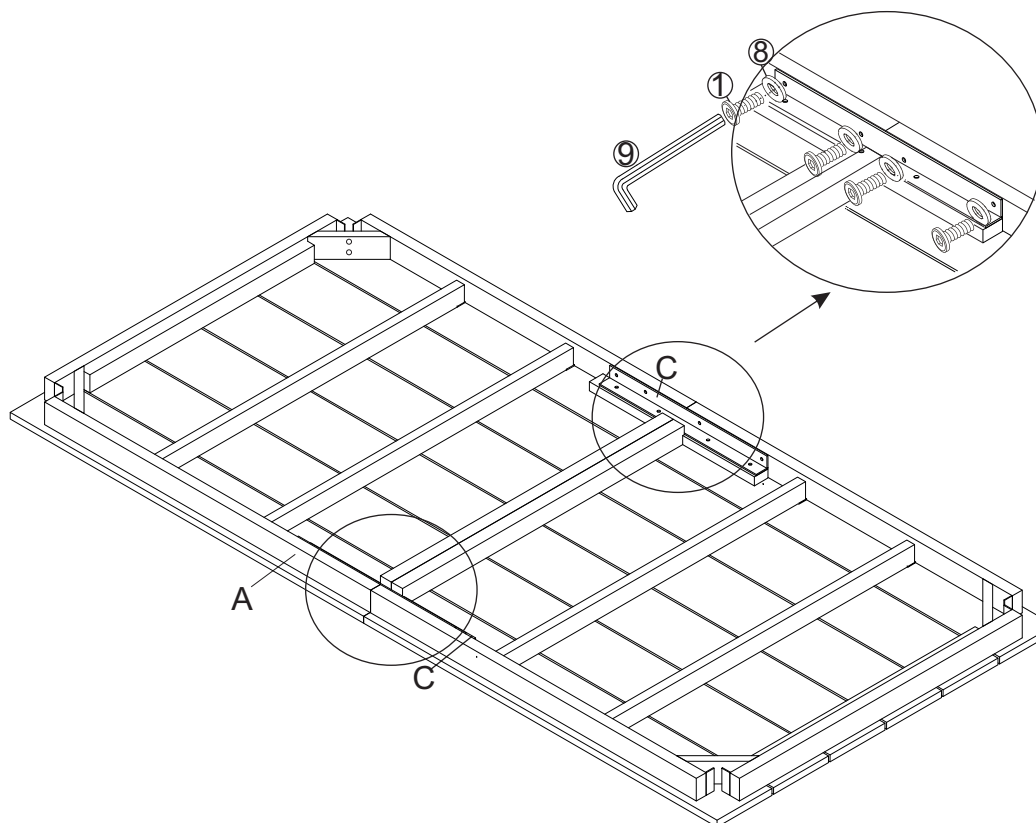
Step 3



Secure Table Top (A) using the Bolts (④), Sleeve Nut (6) and Allen Key (⑨) as shown in the picture.

Do not fully tighten the Bolts.

Step 4



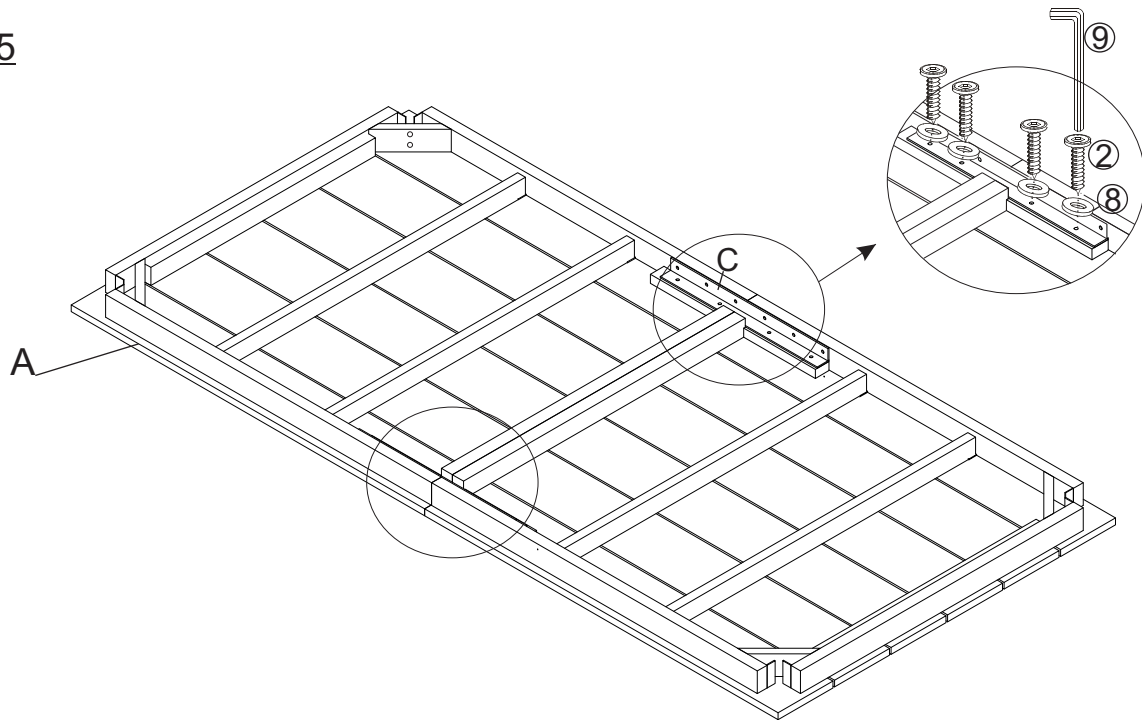
Place Support Bar (C) to the housings of Table Top (A) secure by using the Bolts (①) with Washer (⑧), and Allen Key (⑨) as show in picture above.

Repeat the same process with the other Support Bar (C)

Do not fully tighten the Bolts

Assembly Steps

Step 5

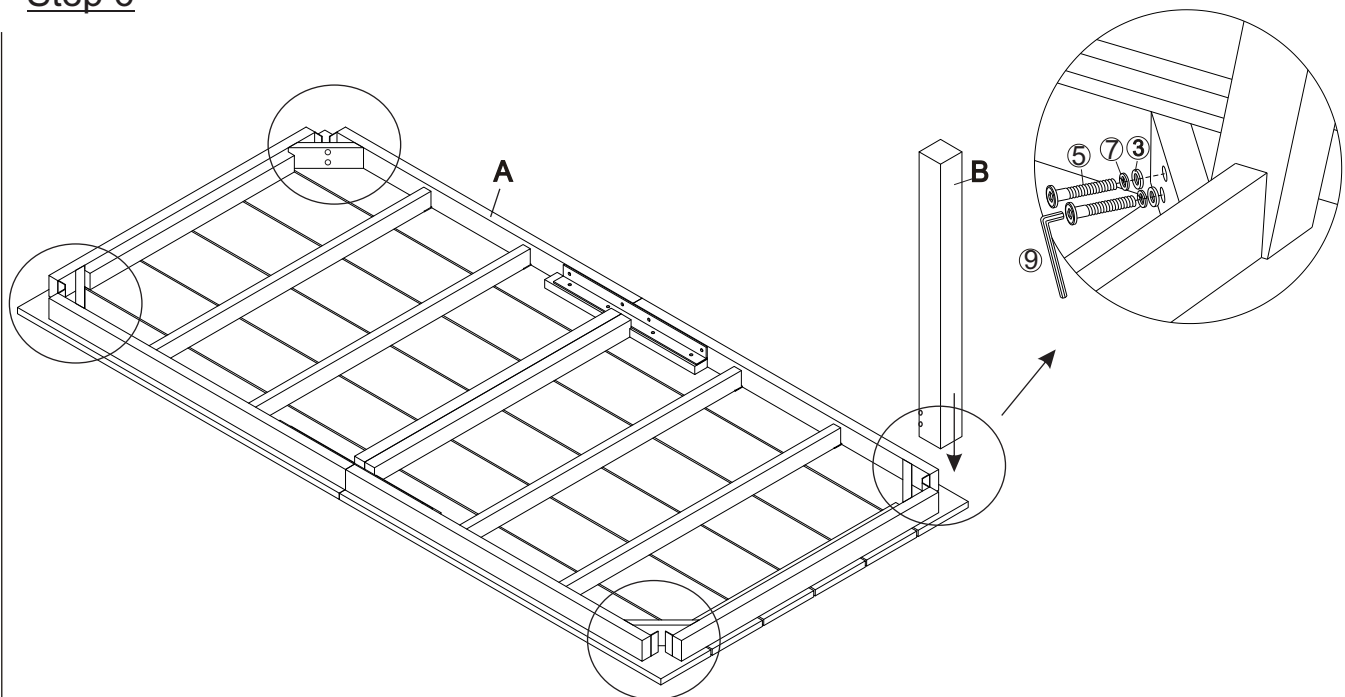


Secure Support Bar (C) to Table Top (A) using the Screws (2), Washer (8) and Allen Key (9) as shown in the picture.

Repeat the same process with the other Support Bar (C)

Do not fully tighten the Screws.

Step 6

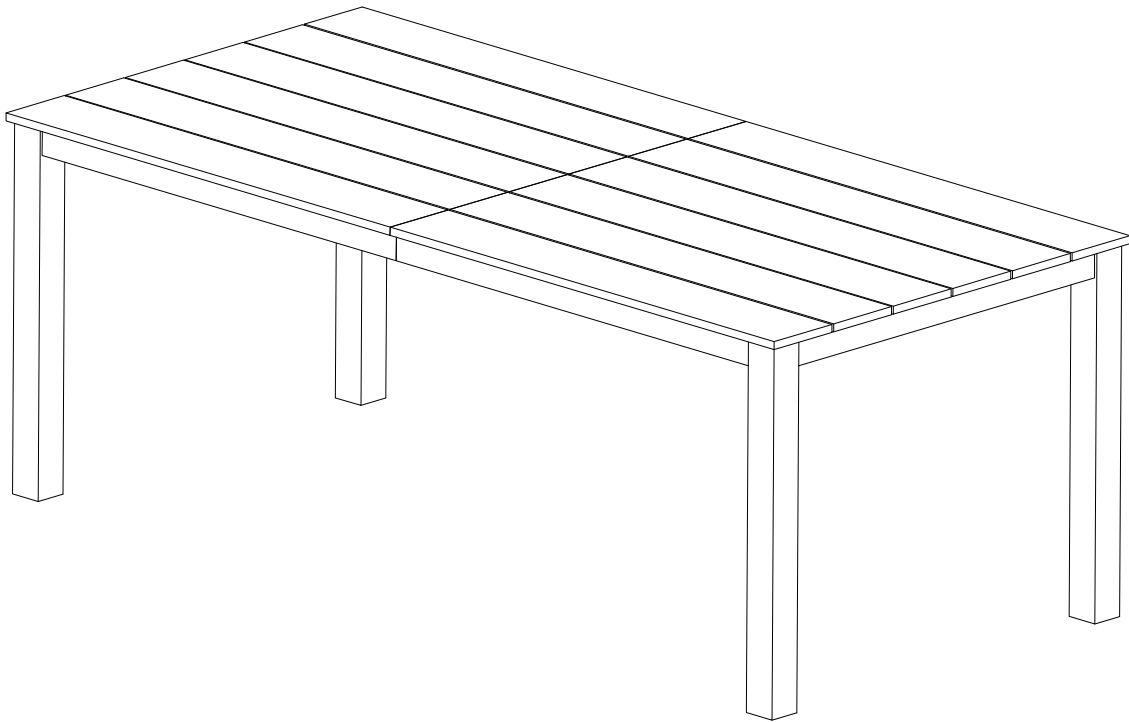


Attach the Legs (B) into the mounting position at the corners of the Table Top (A), using the Bolts (5) with Spring Washers (7), Washers (3) and Allen Key (9) as shown in the picture.

Do not fully tighten the Bolts.

Assembly Steps

Step 7












With assistance from your adult partners, Turn the Table right side up. Inspect it and make sure all parts are adequately connected. Check to ensure there is **NO WOBBLINESS**. In a sequential manner, ensure all bolts and screws are fully locked into position and secured.

CAUTION: When tightening these screws and bolts, tighten sequentially. **DO NOT** tighten any screw and bolt fully and then towards the next one. This would cause the frame to warp.

If there is still wobbles, loosen the screws ,bolts and execute this same drop tests. **WARNING !! IF TABLE IS NOT STABLE, IT COULD LEAD TO DAMAGING THE PRODUCT.**

Ensure all screws and bolts are fully locked into position.
The Table is ready to be used.
Caution: This Table can only be used on flat, level surface.

Care & Maintenance

-  Do not put hot items directly on furniture surface.
-  Do not clean furniture with harsh cleansers or polish.
-  To obtain the longest lifespan of your outdoor products, minimizing exposure to direct sunlight is recommended.
-  Children should not climb or jump on the furniture.
-  Do not write on furniture without a padded barrier to protect the surface.
-  To obtain the longest lifespan of your outdoor products, avoid extended and lengthy exposure to rain, snow, and direct sunshine. Whenever possible cover the product and /or place under patio or awnings.
-  Not for commercial use. For residential use only
-  Stains may be removed with mild soap solution and damp cloth.
-  Dust and pick-up spills using a clean, non-colored, lint-free cloth.