

ASSEMBLY INSTRUCTIONS



Fine Furniture for every stage of life

California King Bed

REVISION 0 : 01/07/2020

PAGE 1 OF 4

ASSEMBLY INSTRUCTIONS

ASSEMBLY TIPS:

1. Remove hardware from box and sort by size.
2. Please check to see that all hardware and parts are present prior to start of assembly.
3. Please follow attached instructions in the same sequence as numbered to assure fast & easy assembly.



WARNING!

1. Don't attempt to repair or modify parts that are broken or defective. Please contact the store immediately.
2. This product is for home use only and not intended for commercial establishments.



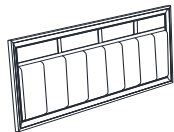
ASSEMBLY TIME

14 MINUTES

PARTS IDENTIFICATION

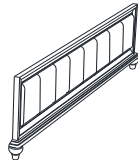
B1 (BOX 1)

A HEADBOARD PANEL



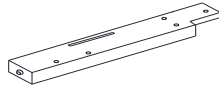
1PC

B FOOTBOARD



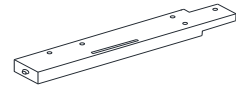
1PC

C RIGHT HEADBOARD LEG



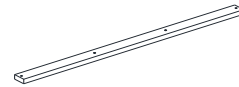
1PC

D LEFT HEADBOARD LEG



1PC

E BED SLAT



4PCS

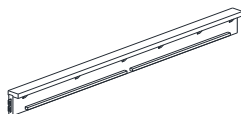
F BED SLAT SUPPORT WITH LEVELER



8PCS

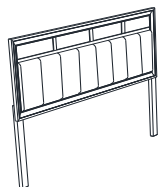
B2 (BOX 2)

G BED RAIL



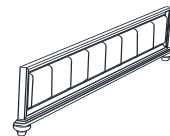
2PCS

HB FROM BOX 1 HEADBOARD COMPLETE



1PC

B FROM BOX 1 FOOTBOARD



1PC

ASSEMBLY INSTRUCTIONS

ASSEMBLY TIPS:

1. Remove hardware from box and sort by size.
2. Please check to see that all hardware and parts are present prior to start of assembly.
3. Please follow attached instructions in the same sequence as numbered to assure fast & easy assembly.








WARNING!

1. Don't attempt to repair or modify parts that are broken or defective. Please contact the store immediately.
2. This product is for home use only and not intended for commercial establishments.

HARDWARE IDENTIFICATION

BOX 1 - HARDWARE PACK

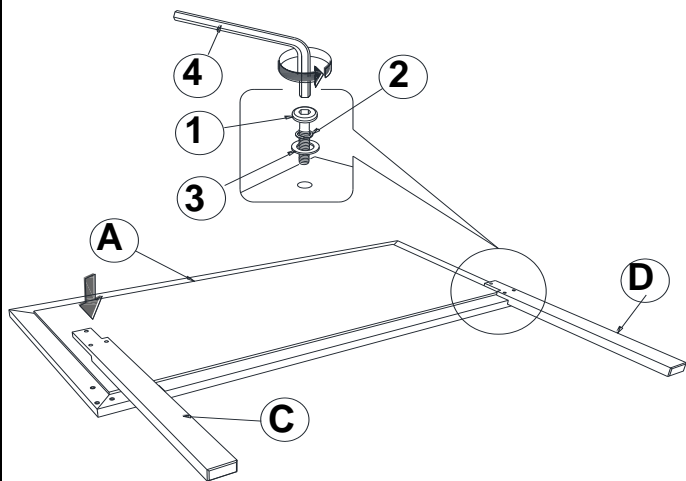
1	BOLT (M6 x 30mm - BLK)		6PCS
2	LOCK WASHER (1/4" - BLK)		6PCS
3	FLAT WASHER (1/4" ID x 13mm - BLK)		6PCS
4	ALLEN WRENCH (M4 x 60mm - BLK)		1PC
5	FLAT HEAD SCREW (M4 x 32mm - RBW)		8PCS

NOTE:

Phillips head screw driver is required in the assembly process; however, manufacturer does not provide this item.

ASSEMBLY INSTRUCTIONS

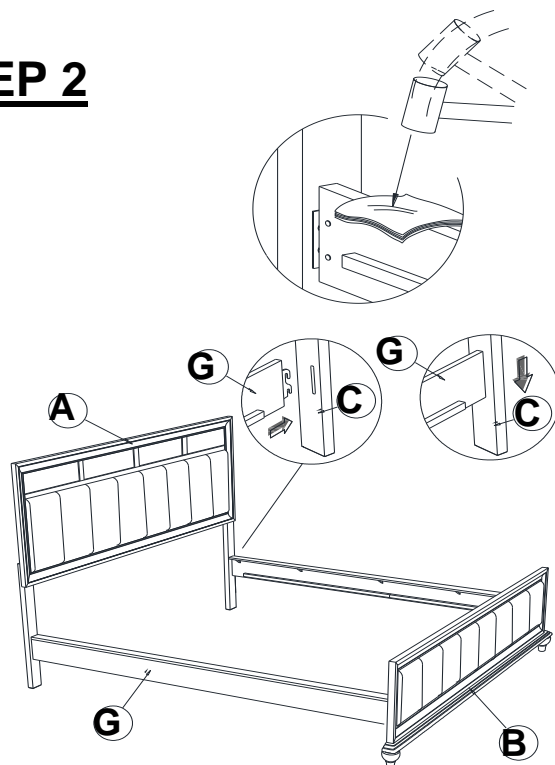
STEP 1



****BACK VIEW****

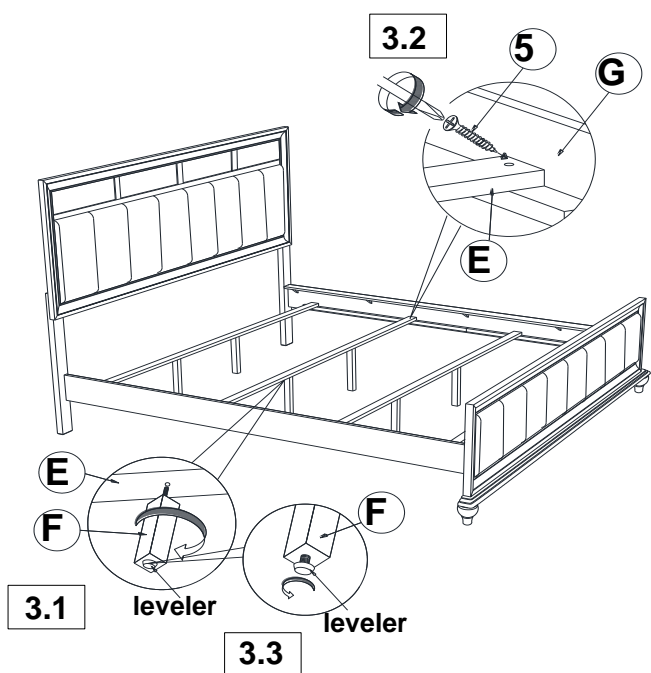
Note : Please take note of the marking sticker (L&R) on the leg.

STEP 2

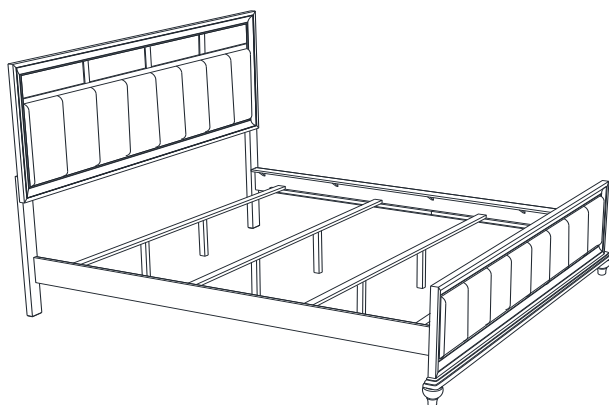


Note : Make sure the protective cloth is sufficient enough to protect bed rail(G) before hammering.

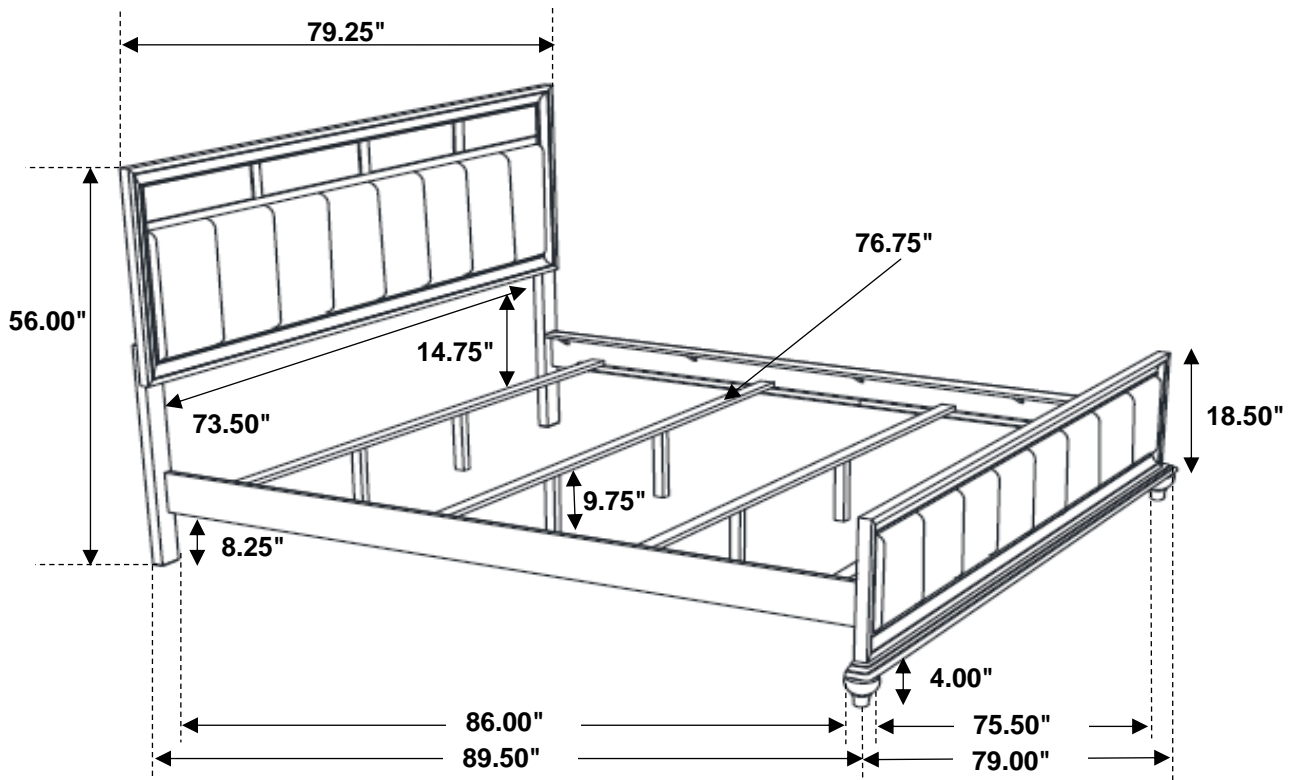
STEP 3



STEP 4 COMPLETE



Inner Size: 73.25"W X 86.00"D



Note: Dimension tolerance $\pm 5\%$

ASSEMBLY INSTRUCTIONS



Fine Furniture for every stage of life

Nightstand

ASSEMBLY INSTRUCTIONS

ASSEMBLY TIPS:

1. Remove hardware from box and sort by size.
2. Please check to see that all hardware and parts are present prior to start of assembly.
3. Please follow attached instructions in the same sequence as numbered to assure fast & easy assembly.



WARNING!

1. Don't attempt to repair or modify parts that are broken or defective. Please contact the store immediately.
2. This product is for home use only and not intended for commercial establishments.

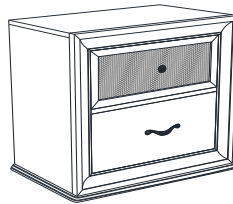


ASSEMBLY TIME

5 MINUTES

PARTS IDENTIFICATION

A NIGHTSTAND



1PC

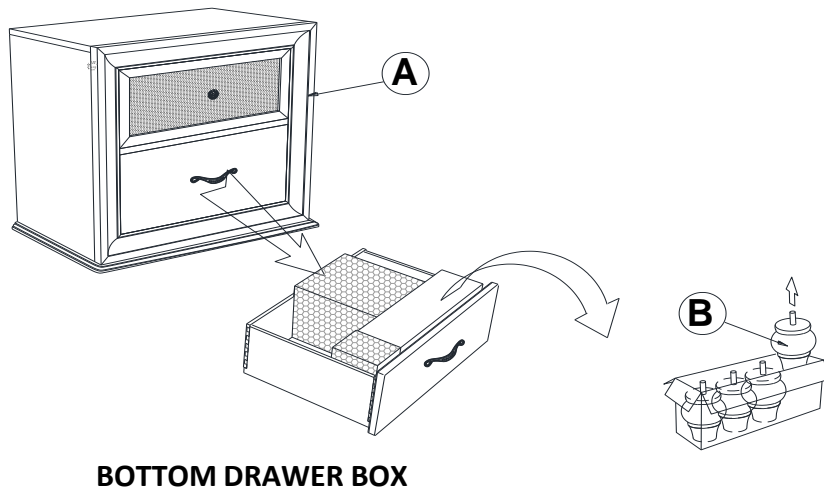
B BUN FOOT



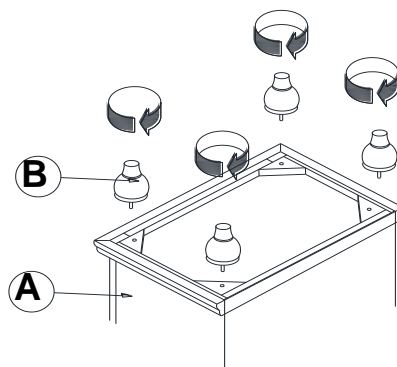
4PCS

ASSEMBLY INSTRUCTIONS

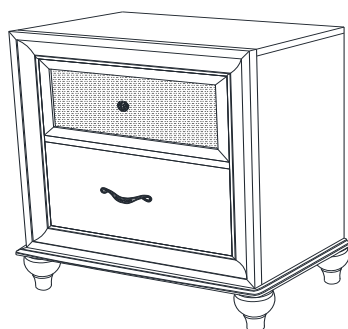
STEP 1



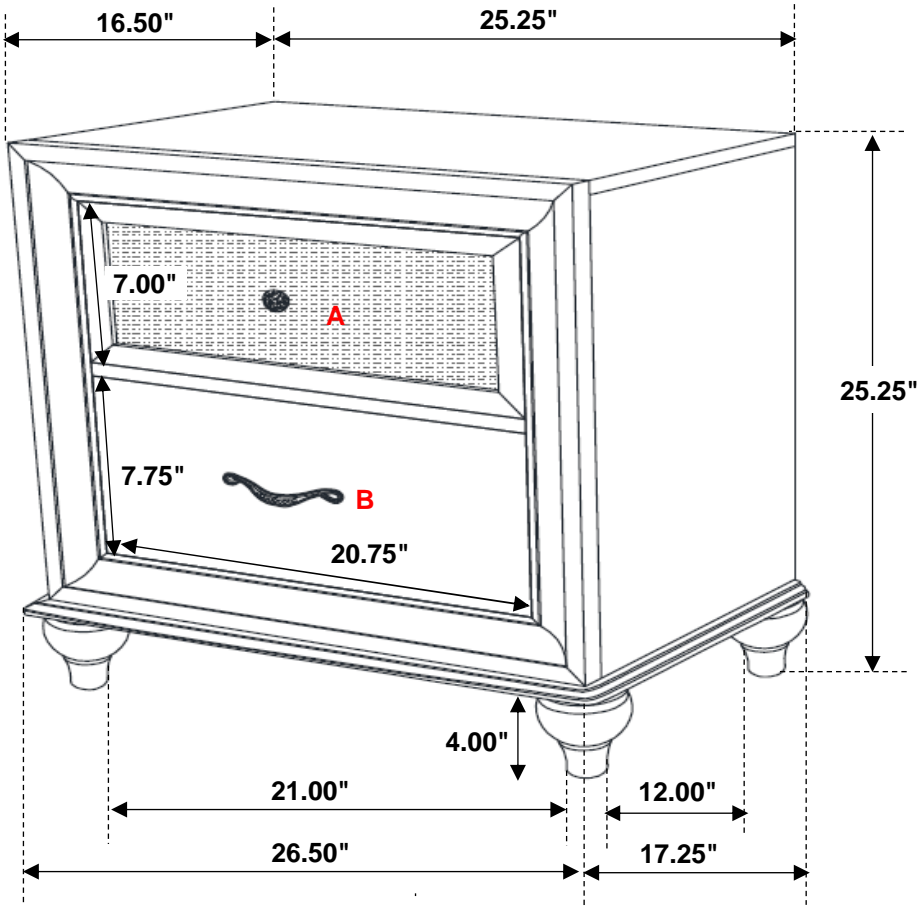
STEP 2



STEP 3 COMPLETE



Inner Size of Drawer A : 19.00"W X 12.50"D X 5.00"H X 0.25"T
Inner Size of Drawer B : 19.00"W X 12.50"D X 5.00"H X 0.25"T



Note: Dimension tolerance $\pm 5\%$

ASSEMBLY INSTRUCTIONS



Fine Furniture for every stage of life

Dresser

ASSEMBLY INSTRUCTIONS

ASSEMBLY TIPS:

1. Remove hardware from box and sort by size.
2. Please check to see that all hardware and parts are present prior to start of assembly.
3. Please follow attached instructions in the same sequence as numbered to assure fast & easy assembly.



WARNING!

1. Don't attempt to repair or modify parts that are broken or defective. Please contact the store immediately.
2. This product is for home use only and not intended for commercial establishments.

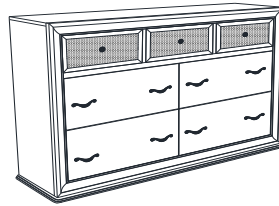


ASSEMBLY TIME

5 MINUTES

PARTS IDENTIFICATION

A DRESSER



1PC

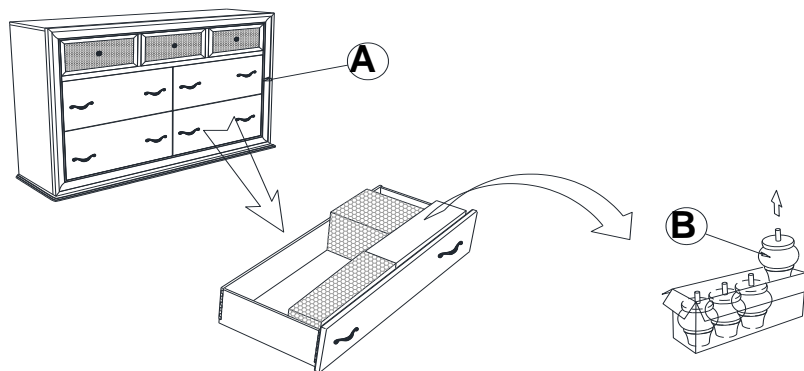
B BUN FOOT



4PCS

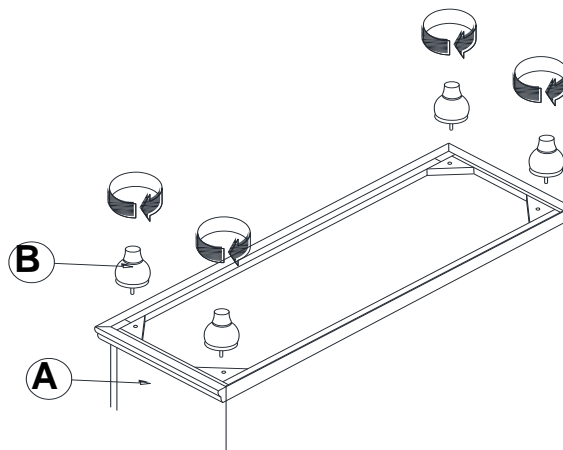
ASSEMBLY INSTRUCTIONS

STEP 1

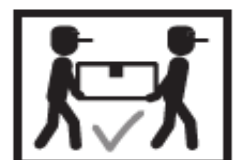


BOTTOM DRAWER BOX

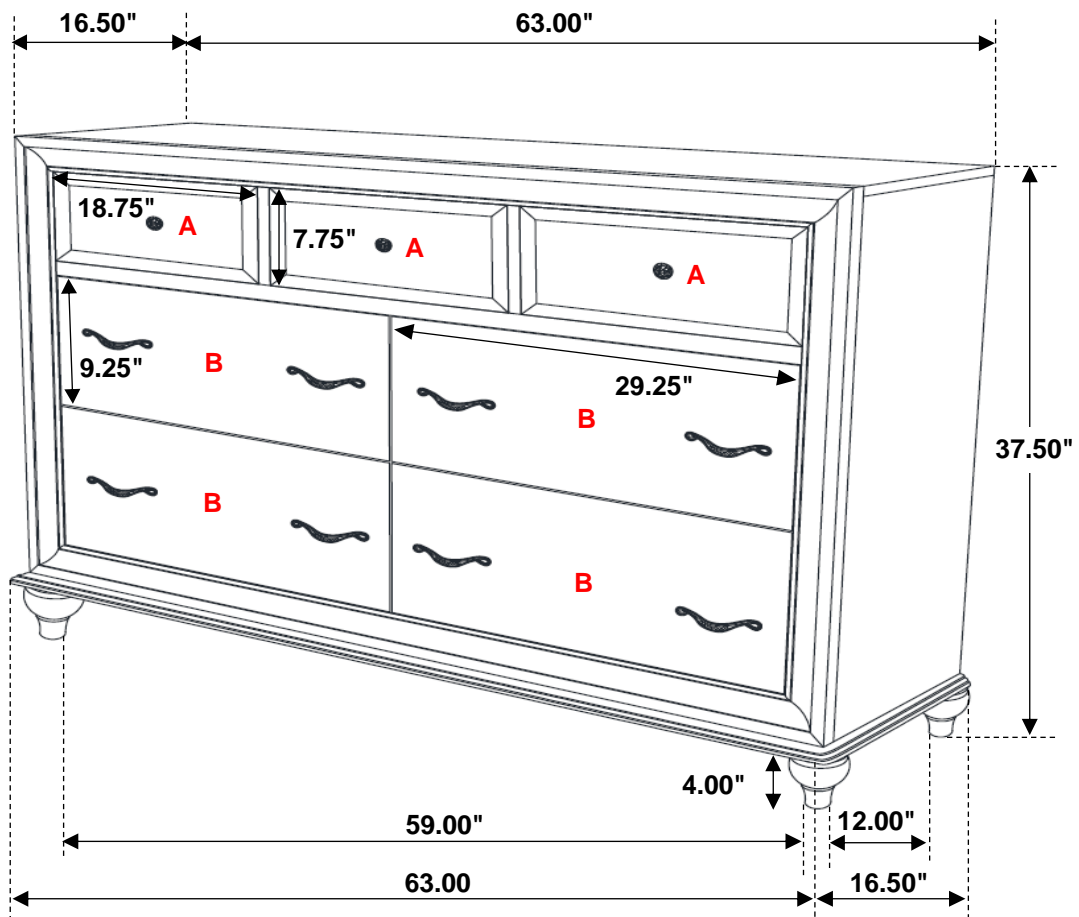
STEP 2



STEP 3 **COMPLETE**



Inner Size of Drawer A : 17.00"W X 12.50"D X 5.00"H X 0.25"T
Inner Size of Drawer B : 27.25"W X 12.50"D X 5.00"H X 0.25"T



Note: Dimension tolerance $\pm 5\%$

ASSEMBLY INSTRUCTIONS



Fine Furniture for every stage of life

Chest

ASSEMBLY INSTRUCTIONS

ASSEMBLY TIPS:

1. Remove hardware from box and sort by size.
2. Please check to see that all hardware and parts are present prior to start of assembly.
3. Please follow attached instructions in the same sequence as numbered to assure fast & easy assembly.



WARNING!

1. Don't attempt to repair or modify parts that are broken or defective. Please contact the store immediately.
2. This product is for home use only and not intended for commercial establishments.

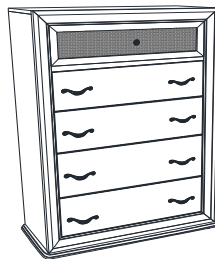


ASSEMBLY TIME

5 MINUTES

PARTS IDENTIFICATION

A CHEST



1PC

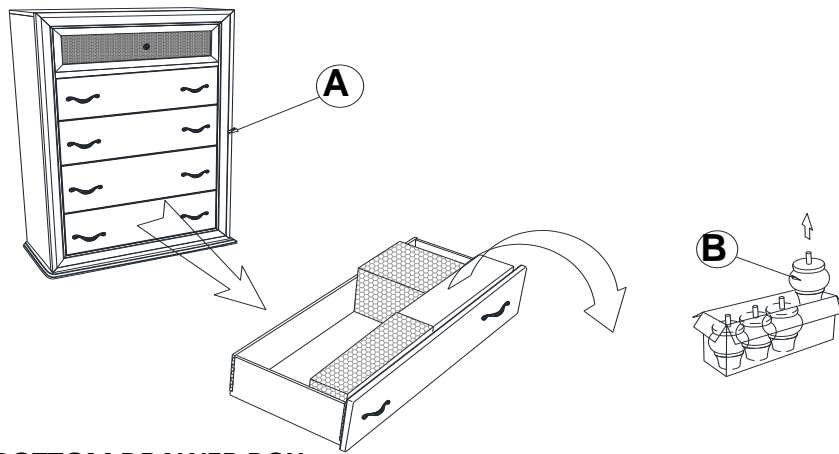
B BUN FOOT



4PCS

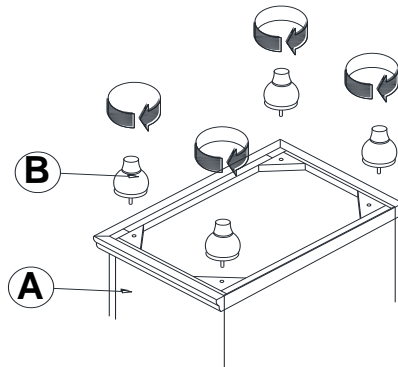
ASSEMBLY INSTRUCTIONS

STEP 1



BOTTOM DRAWER BOX

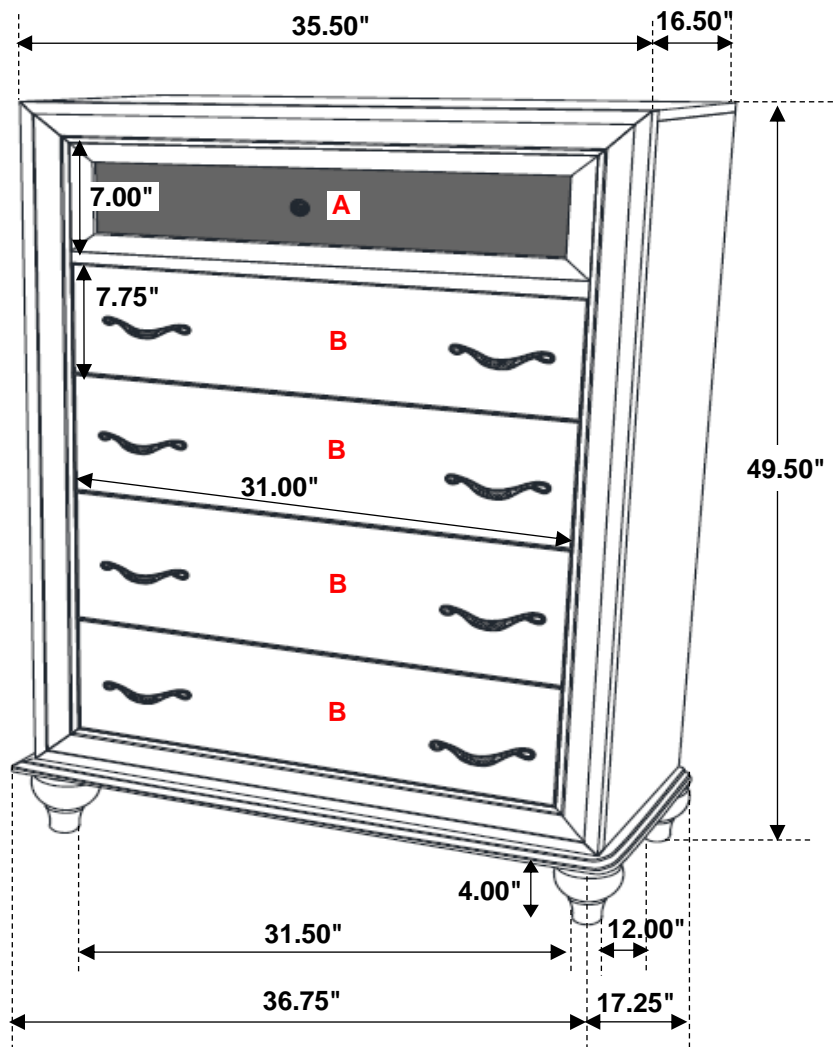
STEP 2



STEP 3 **COMPLETE**



Inner Size of Drawer A : 28.75"W X 12.50"D X 5.00"H X 0.25"T
Inner Size of Drawer B : 28.75"W X 12.50"D X 5.00"H X 0.25"T



Note: Dimension tolerance $\pm 5\%$